



US00D742589S

(12) **United States Design Patent**
Rizzo et al.

(10) **Patent No.:** **US D742,589 S**

(45) **Date of Patent:** **** Nov. 3, 2015**

(54) **COSMETIC APPLICATOR**

(71) Applicants: **Peter Rizzo**, Staten Island, NY (US);
Jacqueline Haupt, Astoria, NY (US)

(72) Inventors: **Peter Rizzo**, Staten Island, NY (US);
Jacqueline Haupt, Astoria, NY (US)

(73) Assignee: **Revlon Consumer Products Corporation**, New York, NY (US)

(**) Term: **14 Years**

(21) Appl. No.: **29/496,288**

(22) Filed: **Jul. 11, 2014**

(51) **LOC (10) Cl.** **28-03**

(52) **U.S. Cl.**
USPC **D28/7**

(58) **Field of Classification Search**
USPC D28/7, 8, 20-22, 30-31, 76, 85, 99;
132/108, 202, 208, 317, 320; D19/85,
D19/181, 182
CPC B43K 19/00; C09D 13/00
See application file for complete search history.

(56) **References Cited**

U.S. PATENT DOCUMENTS

2,167,465	A *	7/1939	Sell	40/334
2,205,907	A *	6/1940	Oxley	401/88
2,870,740	A *	1/1959	Vogt	401/34
3,917,416	A *	11/1975	Steyer	401/34

D241,343	S *	9/1976	Harmon	D19/59
D300,640	S *	4/1989	Coletta et al.	D19/51
D307,602	S *	5/1990	Lee	D19/49
D370,088	S	5/1996	Burns	
7,850,379	B2 *	12/2010	Knapton et al.	401/34

OTHER PUBLICATIONS

tomford.com, brow sculptor pencil, <http://www.tomford.com/brow-sculptor/T0W9.html>, last visited: Jul. 10, 2014.

* cited by examiner

Primary Examiner — Zenia Bennett

(74) *Attorney, Agent, or Firm* — Revlon Consumer Products Corporation

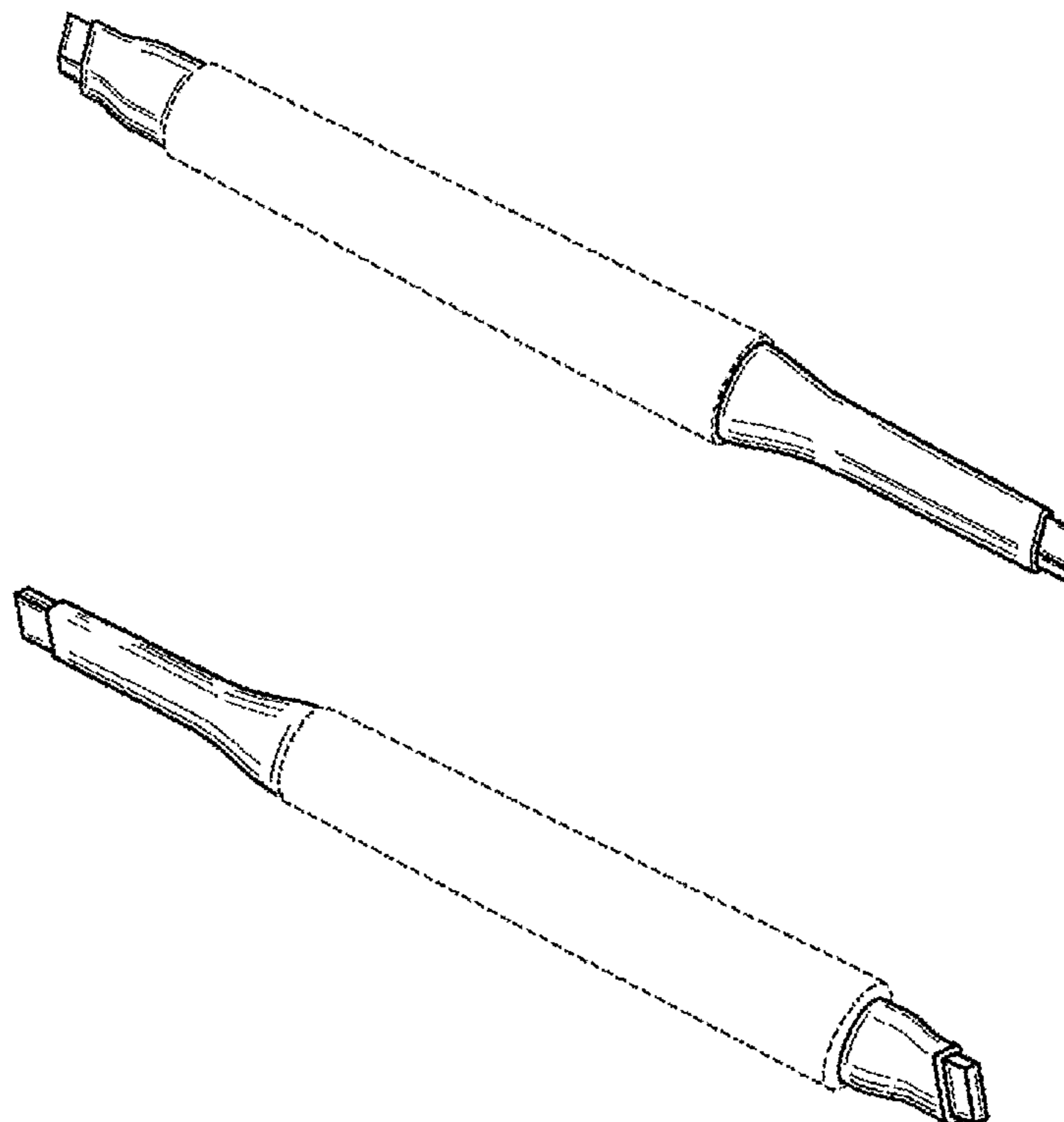
(57) **CLAIM**

The ornamental design for a cosmetic applicator, as shown and described.

DESCRIPTION

FIG. 1 is a top perspective view of a cosmetic applicator; FIG. 2 is a bottom perspective view thereof; FIG. 3 is a right side view thereof; FIG. 4 is a left side view thereof; FIG. 5 is a front view thereof; FIG. 6 is a rear view thereof; FIG. 7 is a top view thereof; and, FIG. 8 is a bottom view thereof. The broken lines shown in the drawings illustrate portions of the cosmetic applicator and form no part of the claimed design.

1 Claim, 3 Drawing Sheets



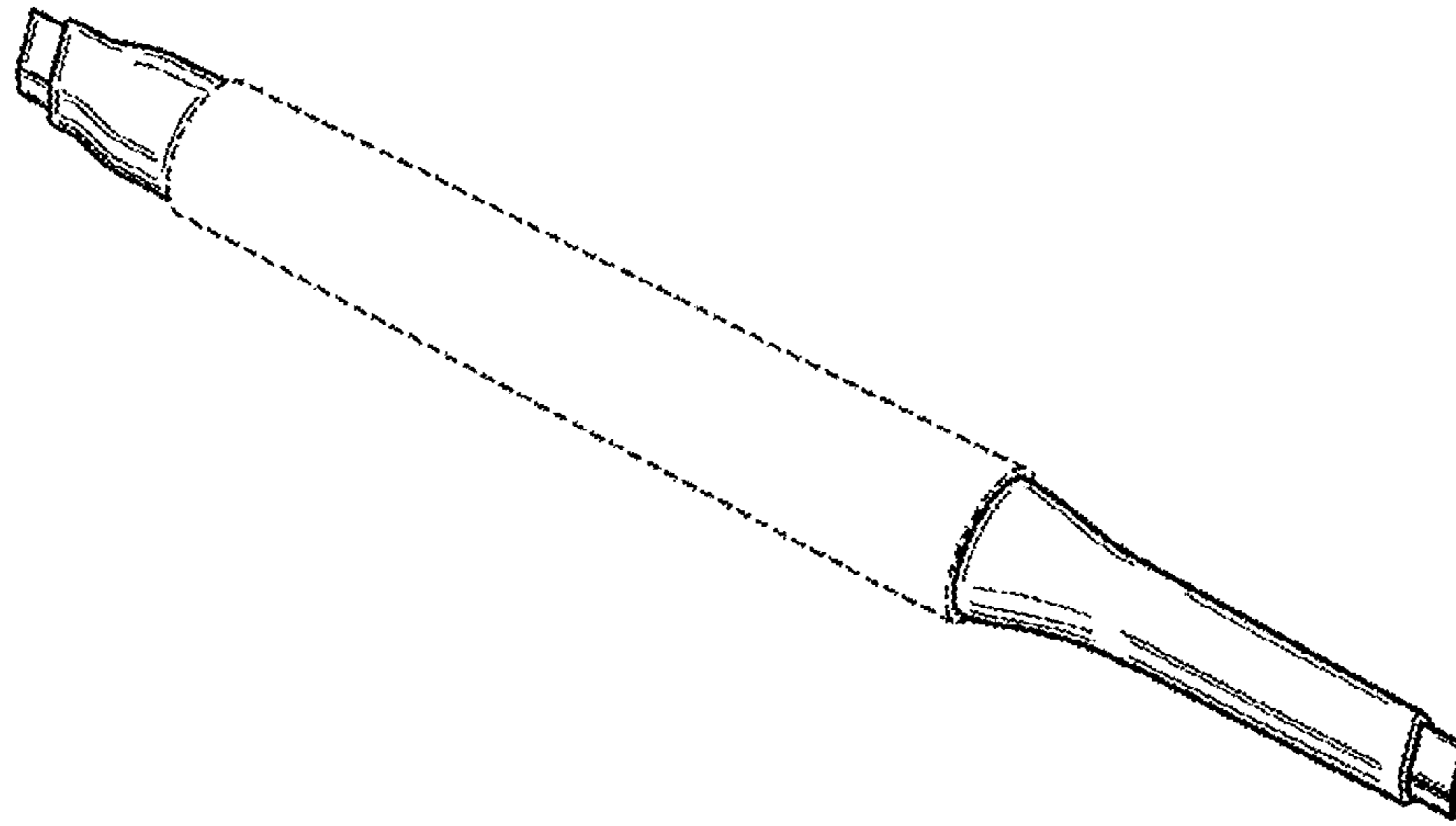


FIG. 1

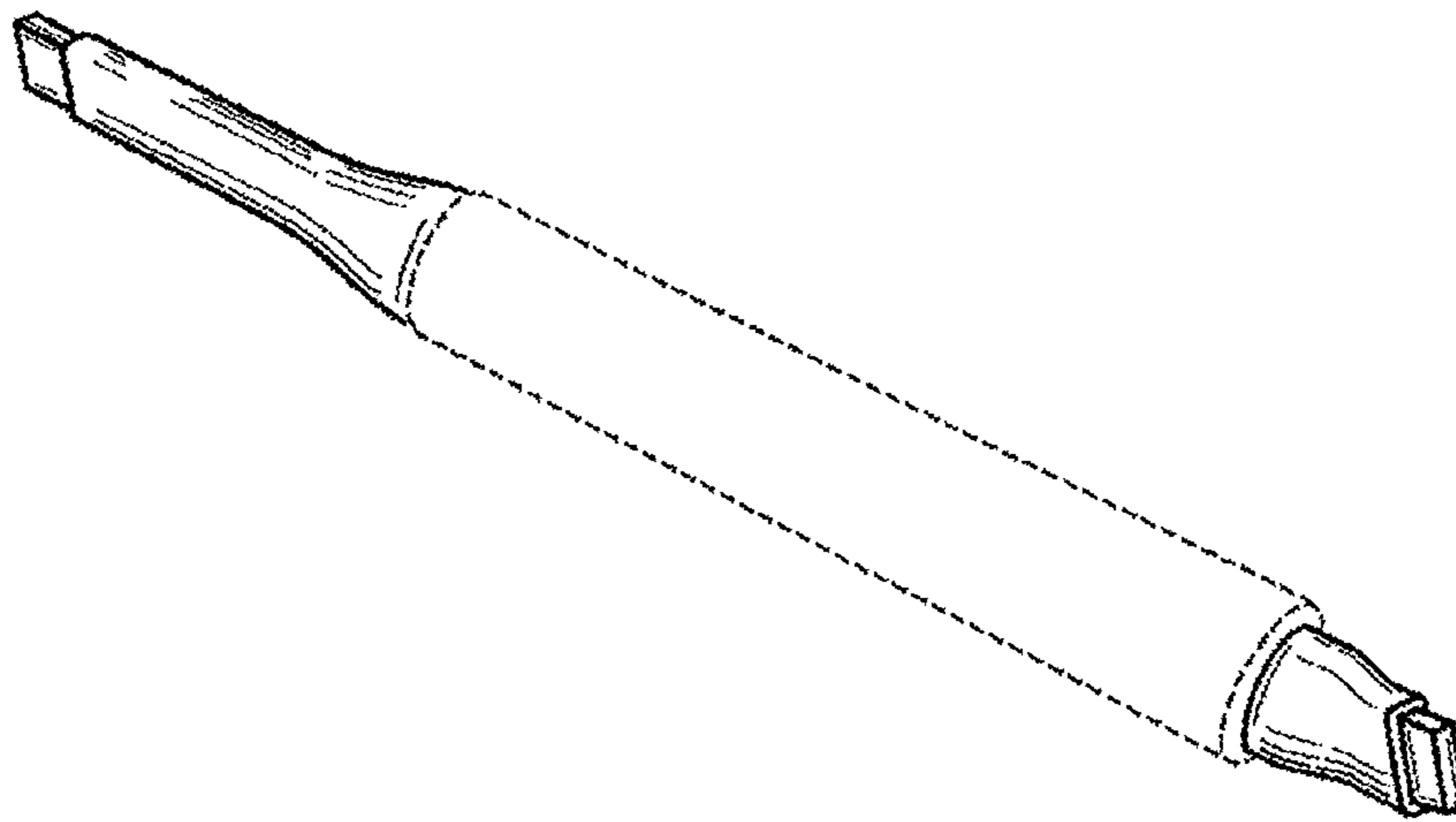


FIG. 2

FIG. 3

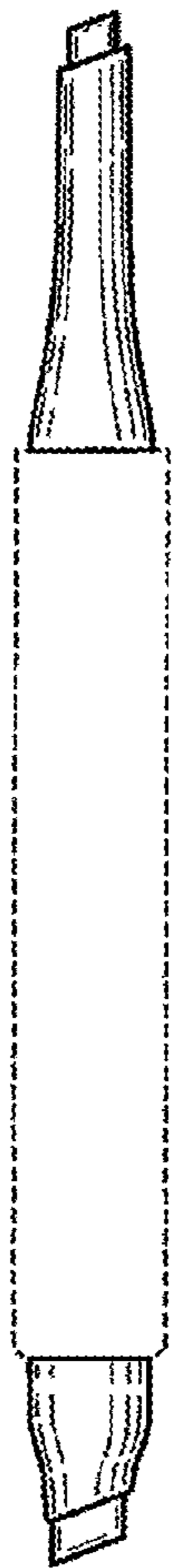


FIG. 4

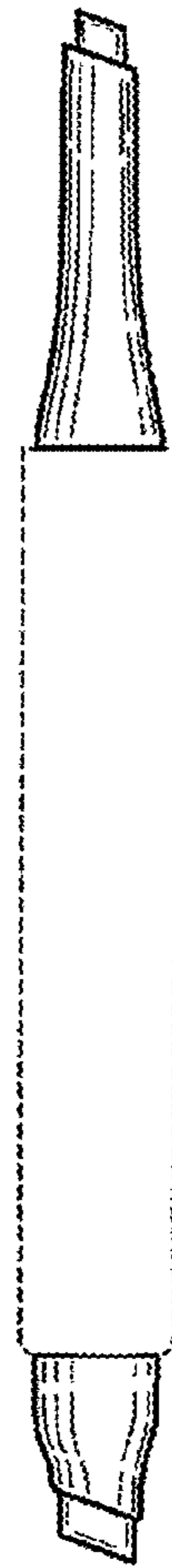


FIG. 5

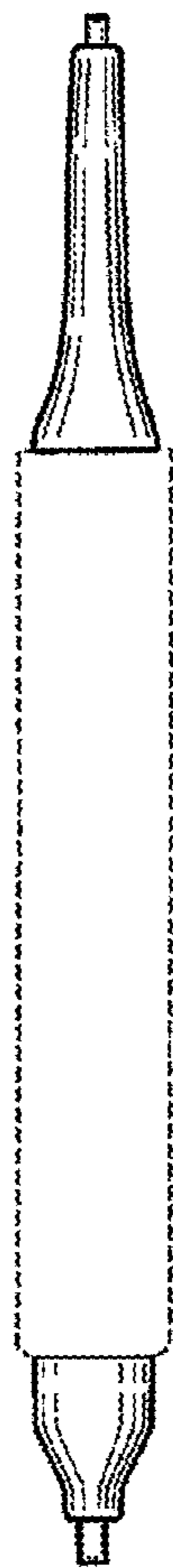


FIG. 6



FIG. 7



FIG. 8