



US00D742588S

(12) **United States Design Patent**
Cutler

(10) **Patent No.:** **US D742,588 S**

(45) **Date of Patent:** **** Nov. 3, 2015**

(54) **COSMETIC CASE**

(75) **Inventor:** **Samantha B. Cutler**, Beverly Hills, CA (US)

(73) **Assignee:** **SBC Cosmestics, LLC**, Beverly Hills, CA (US)

(**) **Term:** **14 Years**

(21) **Appl. No.:** **29/413,813**

(22) **Filed:** **Feb. 21, 2012**

(51) **LOC (10) Cl.** **28-03**

(52) **U.S. Cl.**
USPC **D28/7**

(58) **Field of Classification Search**
USPC D28/7, 8, 20–22, 30–31, 76, 85, 99;
132/108, 202, 208, 317.32;
401/202–207, 261–267; D4/132–135;
D24/119

See application file for complete search history.

(56) **References Cited**

U.S. PATENT DOCUMENTS

4,572,224	A *	2/1986	Rosenwinkel et al.	132/218
4,586,520	A *	5/1986	Brittain	132/218
4,617,948	A *	10/1986	Gueret	132/218
4,944,318	A *	7/1990	Gaylord et al.	132/73
4,972,858	A *	11/1990	Beck et al.	132/218
5,107,870	A *	4/1992	Beck et al.	132/218

(Continued)

Primary Examiner — Zenia Bennett

(74) *Attorney, Agent, or Firm* — Arnold & Porter LLP

(57) **CLAIM**

The design for a cosmetic case, as shown and described.

DESCRIPTION

FIG. 1 is a front perspective view of a round cosmetic case with a hollow cap and an applicator tip having a slanted sponge tip.

FIG. 2 is a front view of a round cosmetic case with a hollow cap and an applicator tip having a slanted sponge tip.

FIG. 3 is a back view of a round cosmetic case with a hollow cap and an applicator tip having a slanted sponge tip.

FIG. 4 is a left view of a round cosmetic case with a hollow cap and an applicator tip having a slanted sponge tip.

FIG. 5 is a right view of a round cosmetic case with a hollow cap and an applicator tip having a slanted sponge tip.

FIG. 6 is a top view of a round cosmetic case with a hollow cap and an applicator tip having a slanted sponge tip.

FIG. 7 is a bottom view of a round cosmetic case with a hollow cap and an applicator tip having a slanted sponge tip.

FIG. 8 is a front perspective view of a round cosmetic case with a hollow cap and an applicator tip having a brush tip.

FIG. 9 is a front view of a round cosmetic case with a hollow cap and an applicator tip having a brush tip.

FIG. 10 is a top view of a round cosmetic case with a hollow cap and an applicator tip having a brush tip.

FIG. 11 is a bottom view of a round cosmetic case with a hollow cap and an applicator tip having a brush tip.

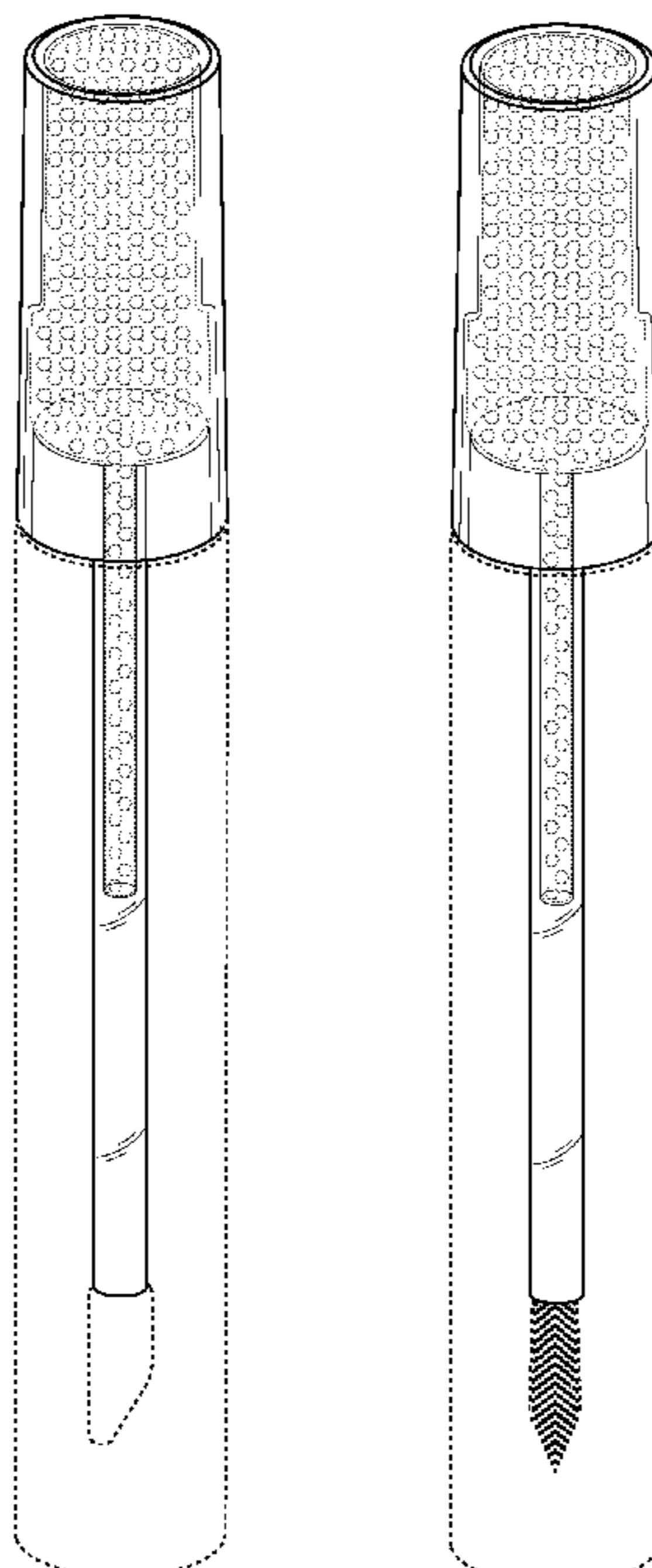
FIG. 12 is a front perspective view of a round cosmetic case with a hollow cap and an applicator tip having a mascara tip.

FIG. 13 is a front view of a round cosmetic case with a hollow cap and an applicator tip having a mascara tip.

FIG. 14 is a top view of a round cosmetic case with a hollow cap and an applicator tip having a mascara tip; and,

FIG. 15 is a bottom view of a round cosmetic case with a hollow cap and an applicator tip having a mascara tip.

1 Claim, 10 Drawing Sheets



(56)

References Cited

U.S. PATENT DOCUMENTS

5,595,198	A *	1/1997	Kemmerer	132/218	6,799,582	B2 *	10/2004	Kim	132/317
5,927,289	A *	7/1999	Joulia	132/73	D539,982	S *	4/2007	Nobuto et al.	D28/76
5,970,989	A *	10/1999	Litton	132/218	7,665,474	B2 *	2/2010	Morales	132/218
6,016,815	A *	1/2000	Christoforou et al.	132/218	D616,608	S *	5/2010	Maddy	D28/76
D440,709	S *	4/2001	An	D28/7	D617,051	S *	6/2010	Pires et al.	D28/76
6,227,737	B1 *	5/2001	Lightfoot	401/129	8,042,555	B2 *	10/2011	Neuner et al.	132/218
6,371,130	B1 *	4/2002	Vasas	132/218	D659,907	S *	5/2012	Lin	D28/76
						D659,908	S *	5/2012	Lin	D28/76
						8,205,624	B2 *	6/2012	Gueret	132/218

* cited by examiner

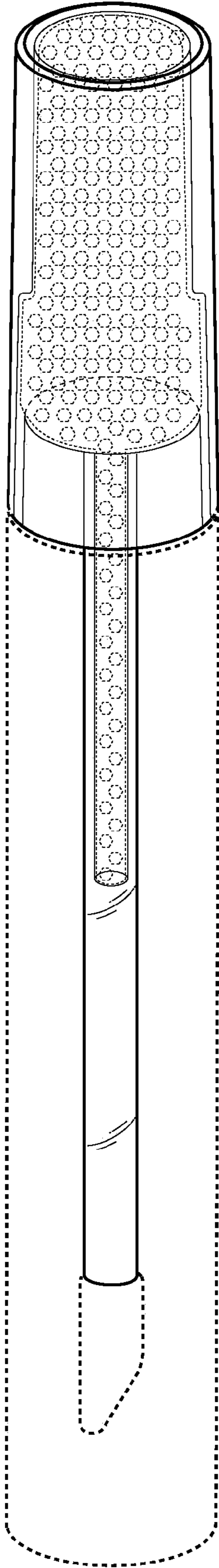


FIG. 1

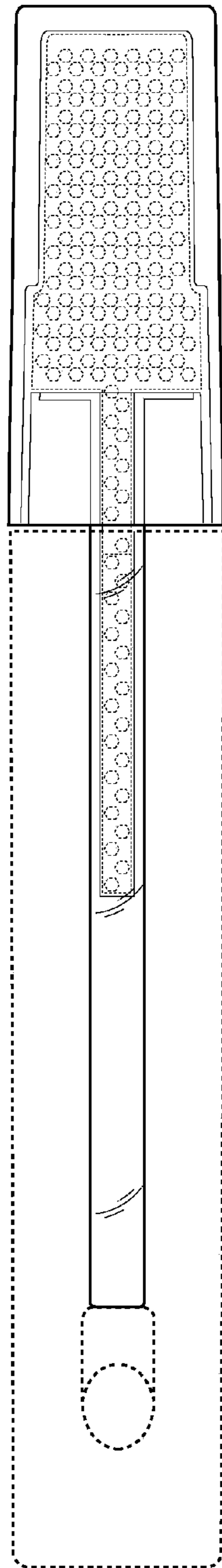


FIG. 2

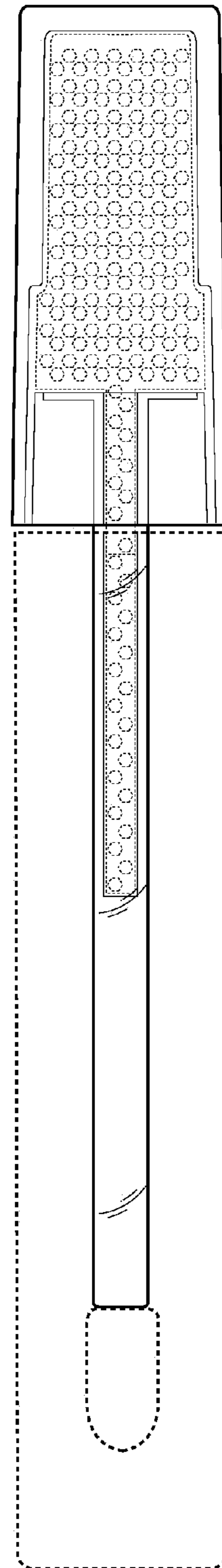


FIG. 3

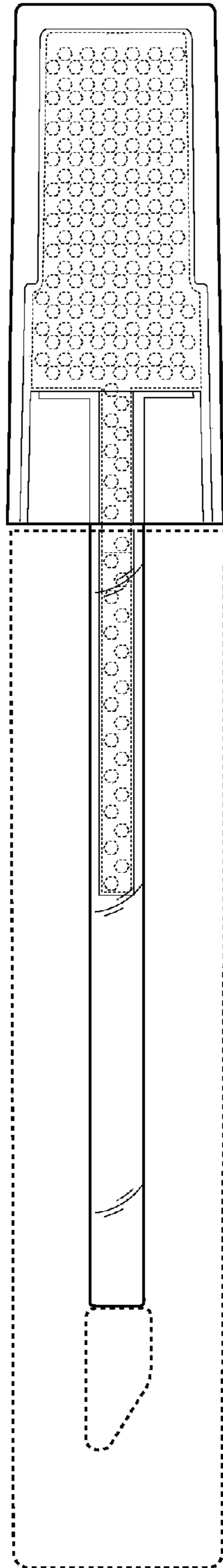


FIG. 4

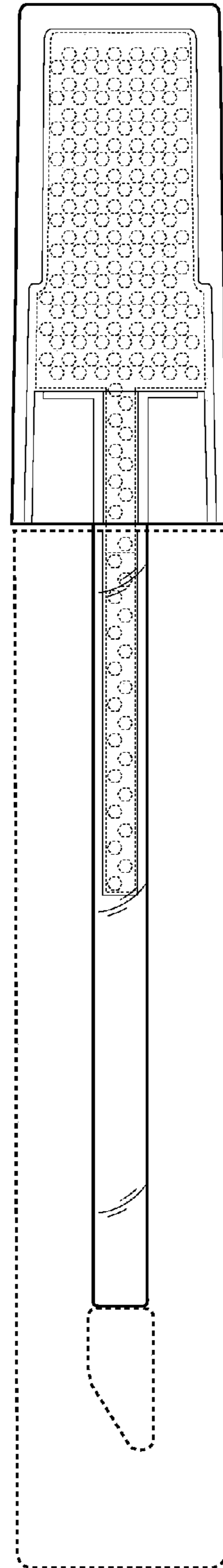


FIG. 5

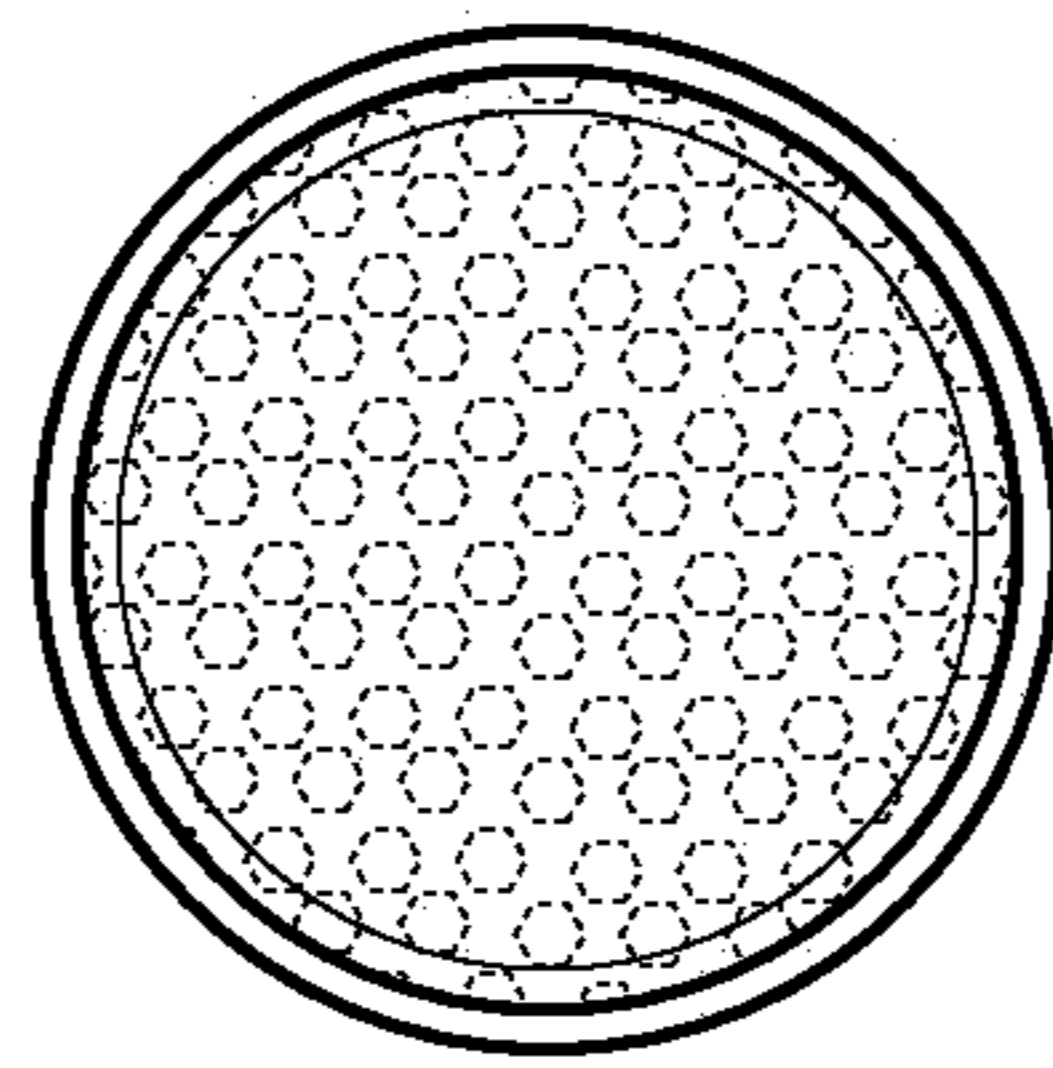


FIG. 6

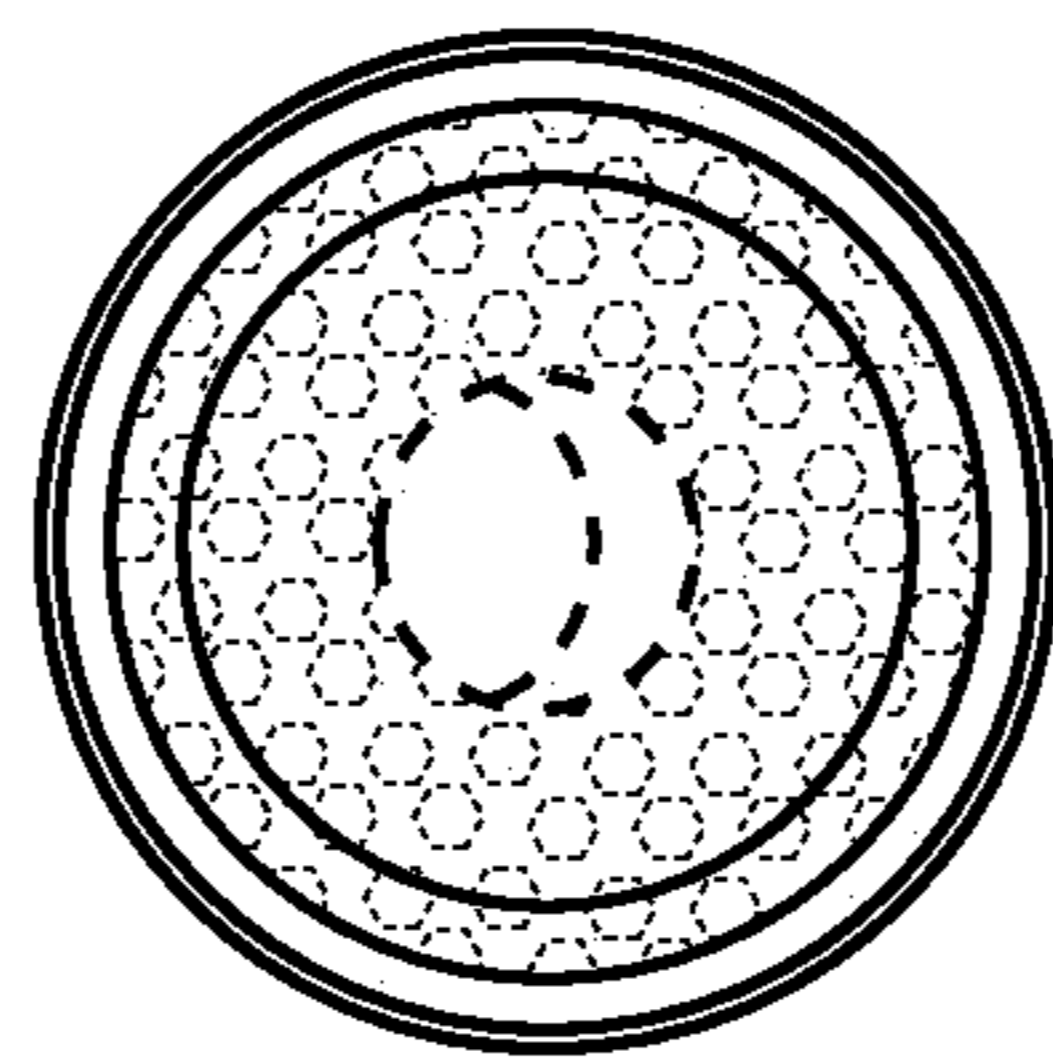


FIG. 7

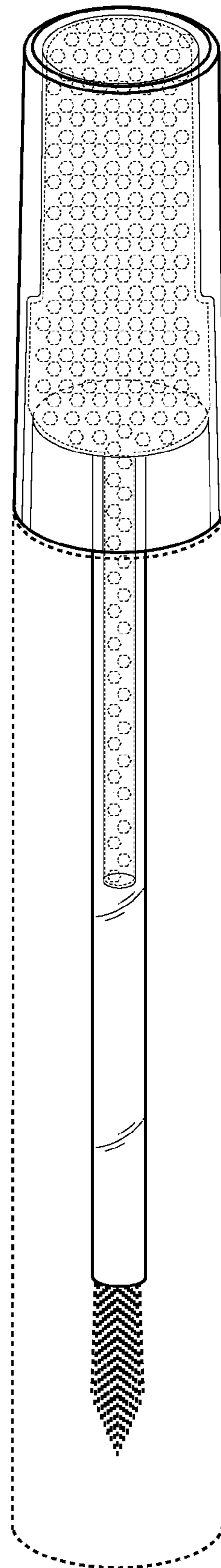


FIG. 8

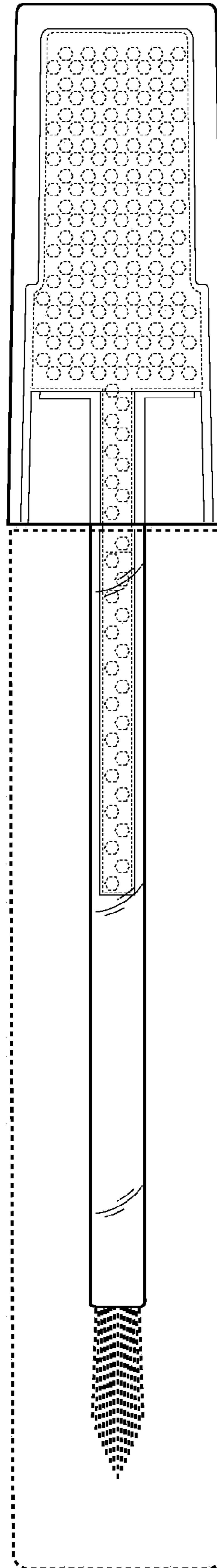


FIG. 9

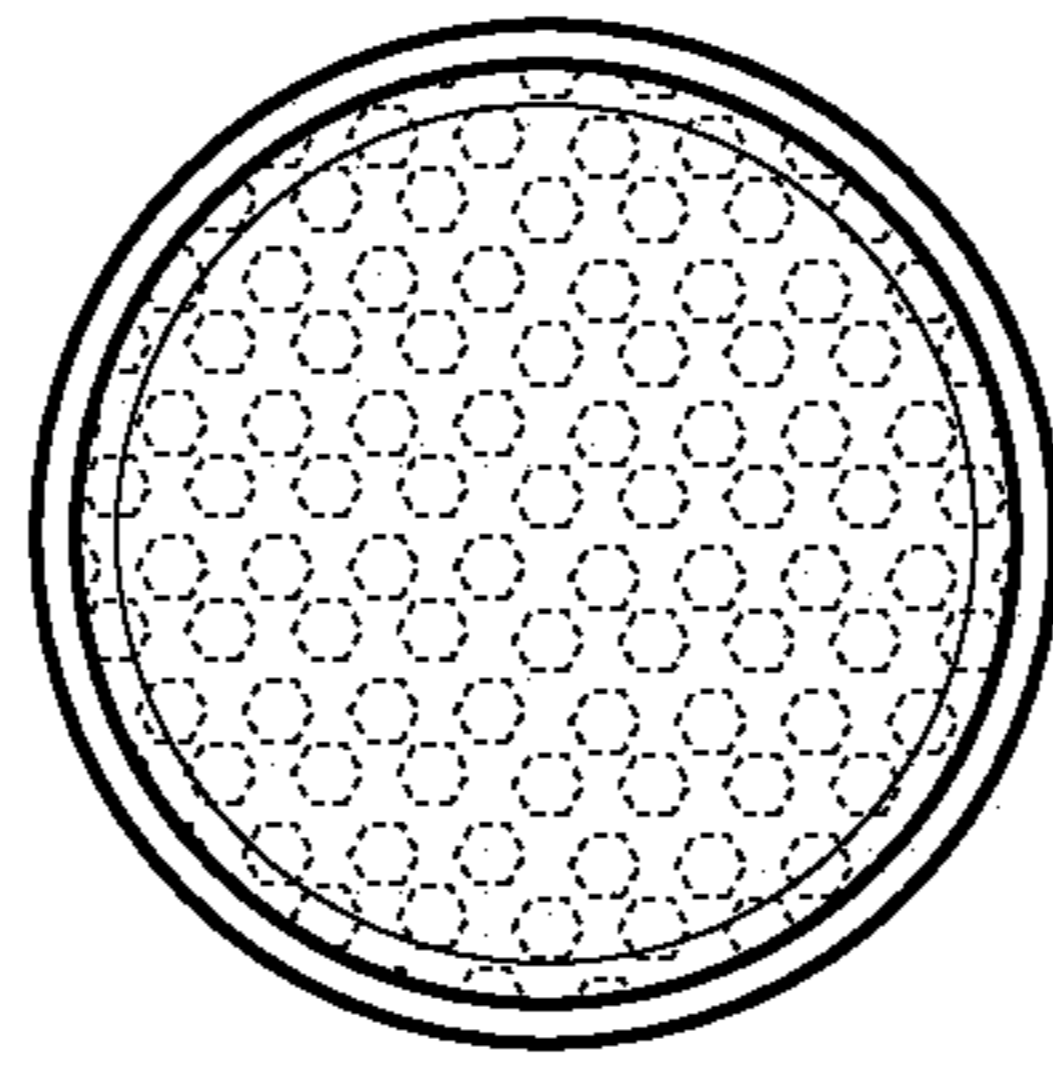


FIG. 10

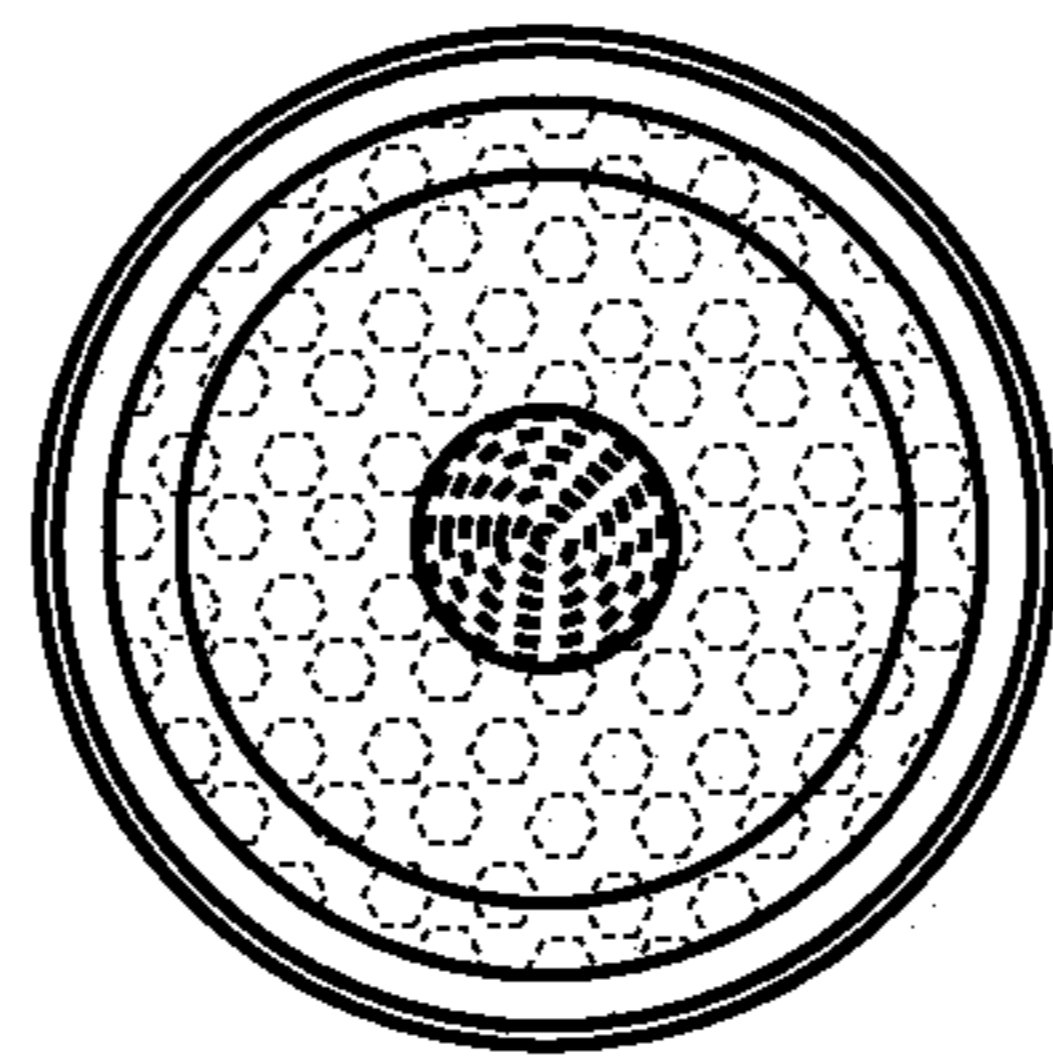


FIG. 11

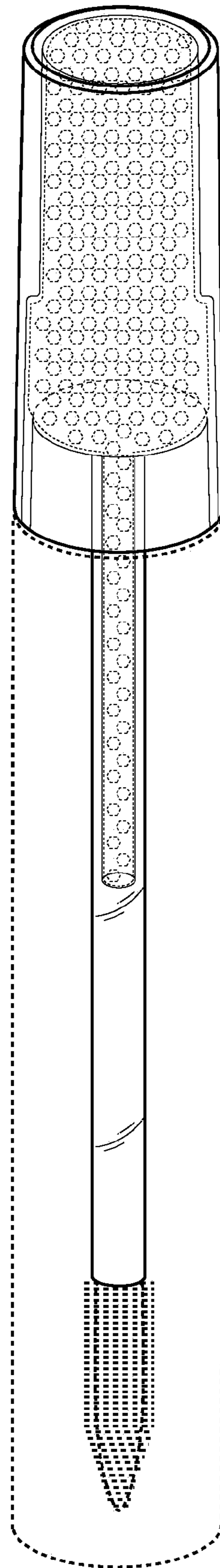


FIG. 12

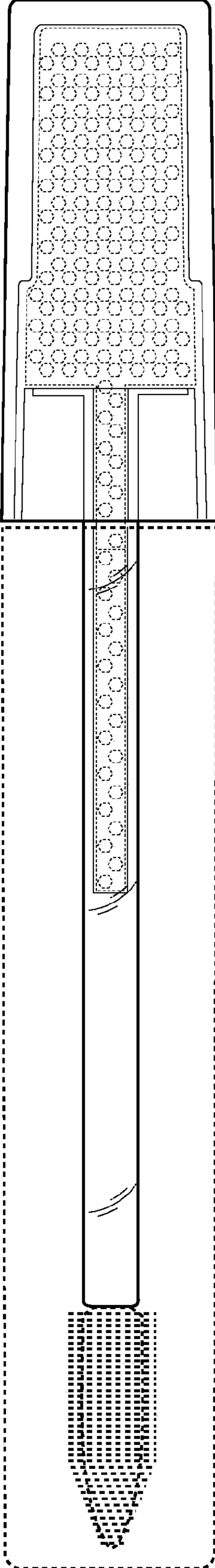


FIG. 13

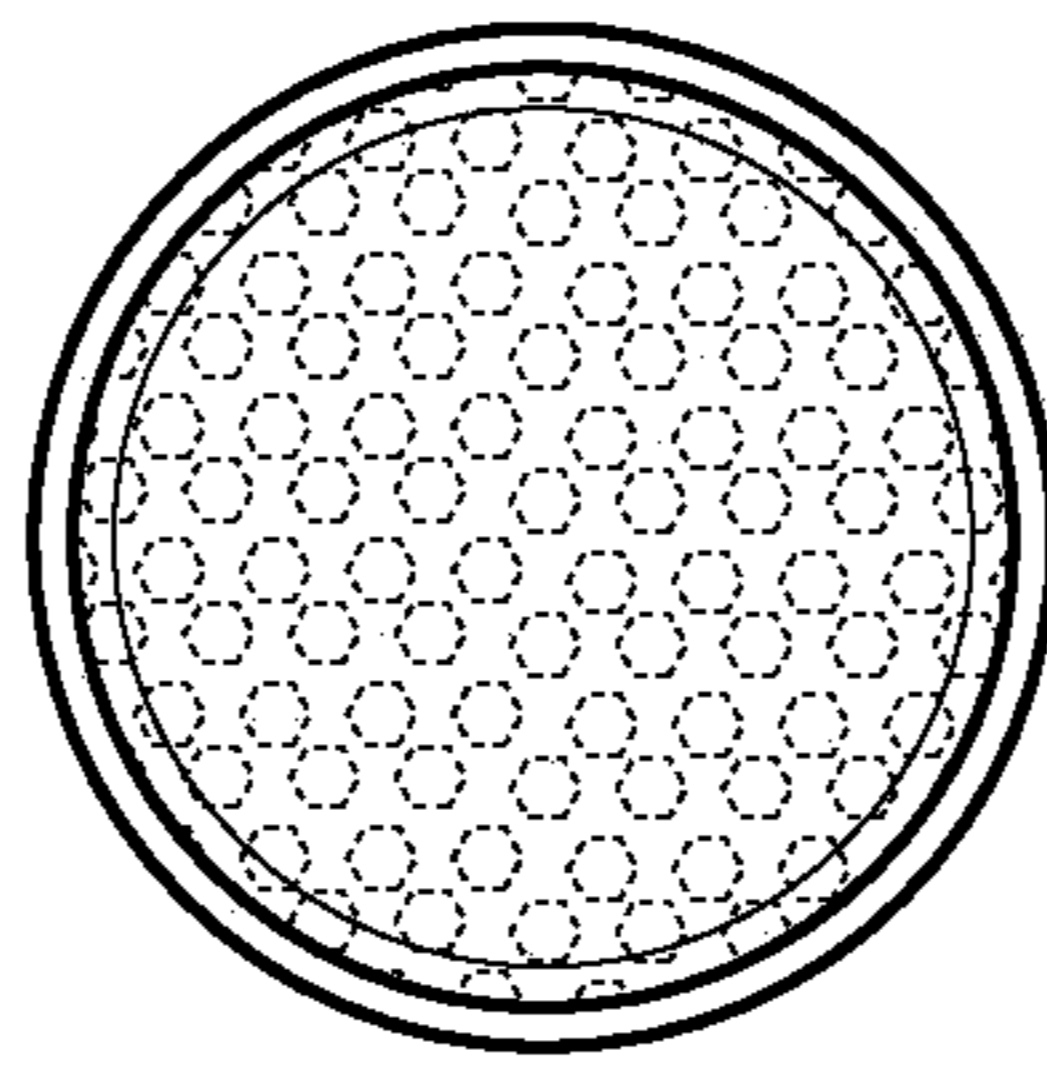


FIG. 14

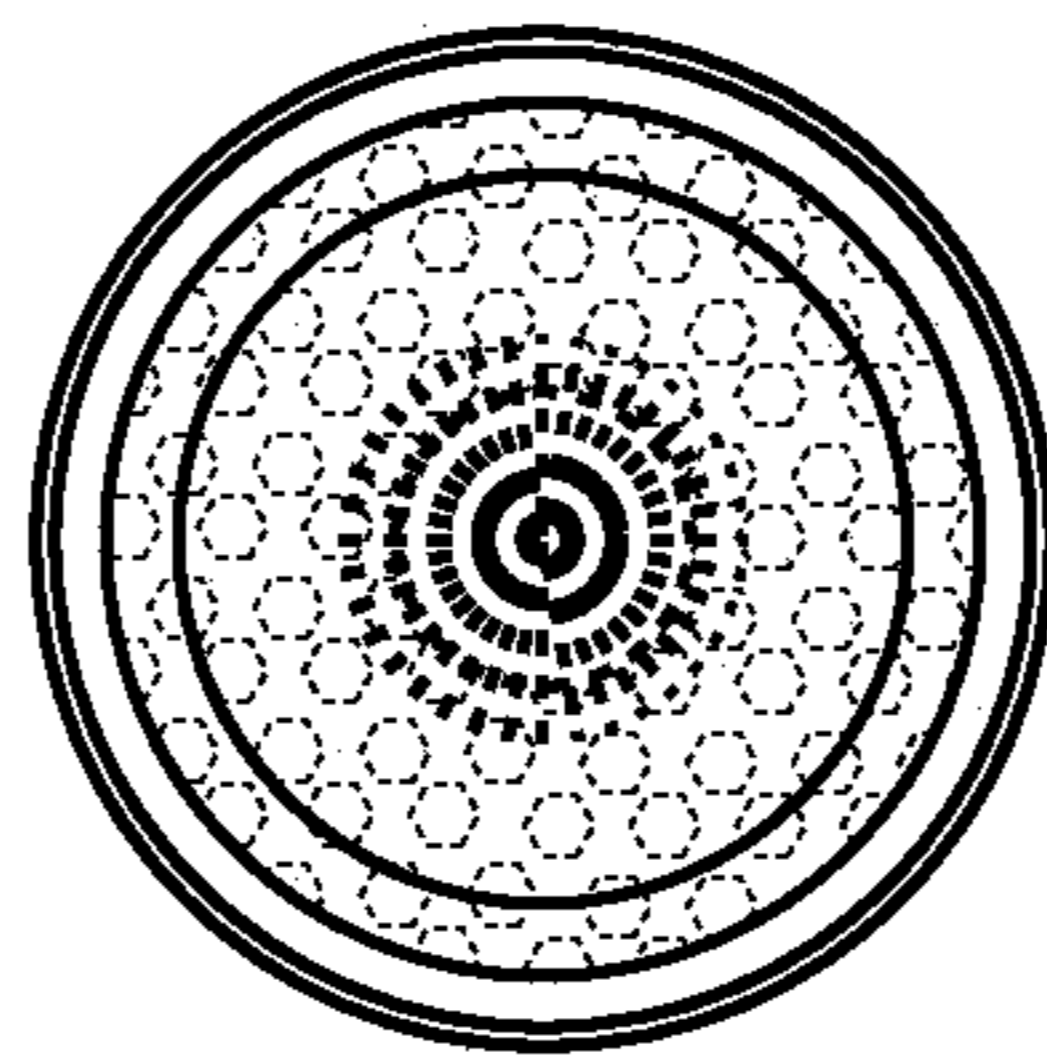


FIG. 15