



US00D742586S

(12) **United States Design Patent**  
**Bennett**

(10) **Patent No.:** **US D742,586 S**

(45) **Date of Patent:** **\*\* Nov. 3, 2015**

(54) **SNUFFER TOOL**

(71) Applicant: **Don Bennett**, Sevierville, TN (US)

(72) Inventor: **Don Bennett**, Sevierville, TN (US)

(\*\*) Term: **14 Years**

(21) Appl. No.: **29/482,221**

(22) Filed: **Feb. 14, 2014**

(51) **LOC (10) Cl.** ..... **27-03**

(52) **U.S. Cl.**

USPC ..... **D27/136**; D27/161

(58) **Field of Classification Search**

USPC ..... D27/102-103, 109, 111-112, 129-130,  
D27/133-138, 142-144, 161, 167, 172, 181,  
D27/194-196; D8/1, 77; D7/387, 399, 682;  
131/177, 184.1, 235.1, 238, 240.1,  
131/243, 247, 256, 258

CPC ..... A24F 23/04; A24F 9/02; A24F 19/00;  
A24F 19/0014; A24F 19/0028; A24F 19/025;  
A24F 19/0035; A24F 15/08; A24F 19/10;  
A24F 19/14; A24F 13/18

See application file for complete search history.

(56) **References Cited**

**U.S. PATENT DOCUMENTS**

718,652	A *	1/1903	McMillan	.....	131/247
D83,469	S *	2/1931	Schaetzke	.....	D27/133
D122,895	S *	10/1940	Kornbluh	.....	D27/134
D148,256	S *	12/1947	Sovereign	.....	D27/133
D159,093	S *	6/1950	Peach	.....	D27/104
D177,954	S *	6/1956	Adams	.....	D27/136

2,965,107	A *	12/1960	Lehv	.....	131/256
D207,617	S *	5/1967	Damis et al.	.....	D27/135
D245,344	S *	8/1977	Fisher	.....	D27/135
D245,740	S *	9/1977	Richter	.....	D27/161
D291,126	S *	7/1987	Gaptjern	.....	D27/125
D292,622	S *	11/1987	Meyers et al.	.....	D27/136
D436,008	S *	1/2001	Klein et al.	.....	D8/34
D551,798	S *	9/2007	McGuire	.....	D27/136
D586,952	S *	2/2009	Bennett et al.	.....	D27/136
D729,442	S *	5/2015	Albers	.....	D27/161
2013/0008455	A1 *	1/2013	Healy et al.	.....	131/247

\* cited by examiner

*Primary Examiner* — Susan Bennett Hattan

*Assistant Examiner* — Janice Hallmark

(74) *Attorney, Agent, or Firm* — QuickPatents; Kevin Prince

(57) **CLAIM**

I claim the ornamental design for a snuffer tool, as shown and described.

**DESCRIPTION**

FIG. 1 is a perspective view of a snuffer tool showing my new design;

FIG. 2 is a front elevational view thereof;

FIG. 3 is a rear elevational view thereof;

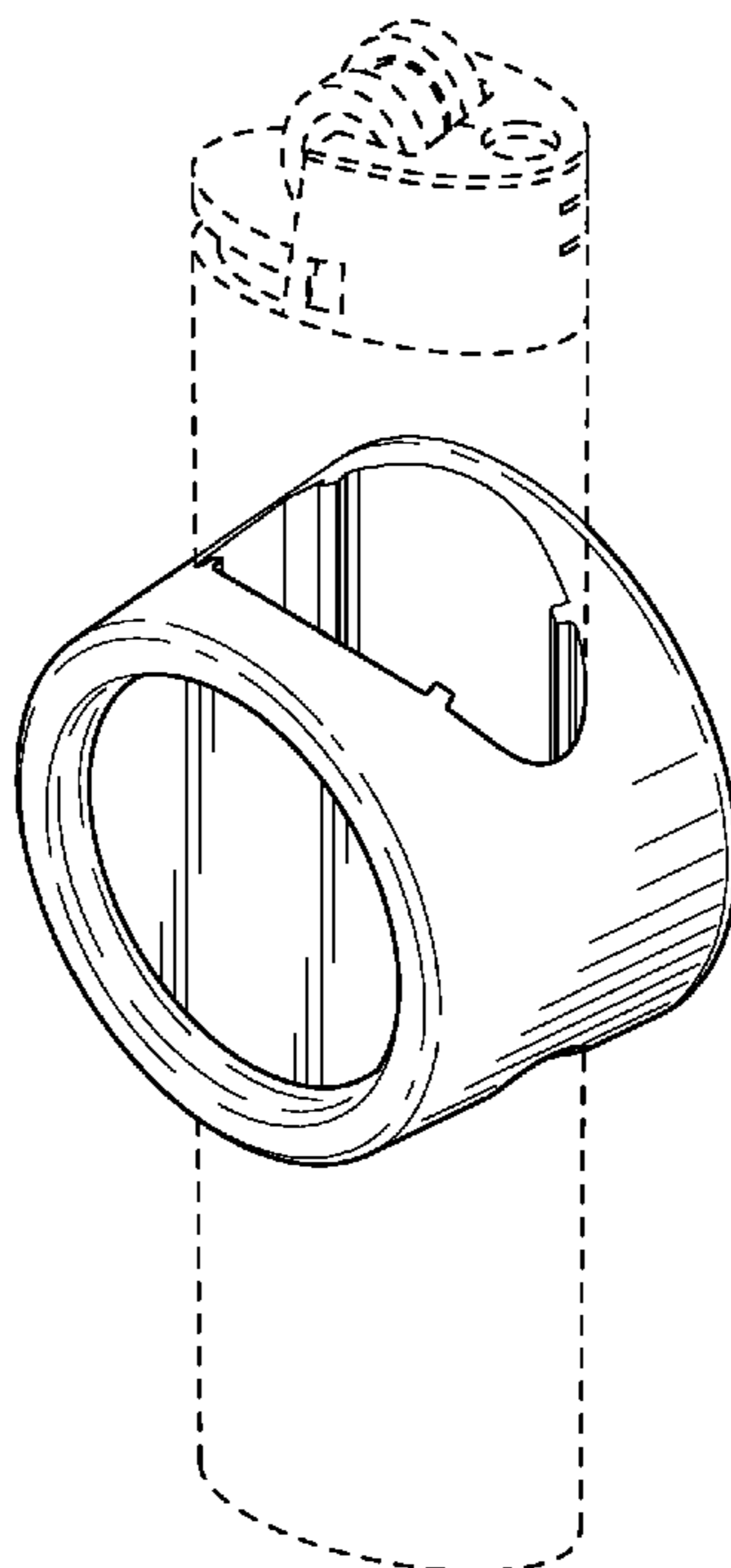
FIG. 4 is a right-side elevational view thereof, the left-side elevational view being a mirror image thereof;

FIG. 5 is a top plan view thereof, the bottom plan view being a mirror image thereof; and,

FIG. 6 is a cross-sectional view of FIG. 5, taken along line 6-6.

The broken lines showing a cigarette lighter in FIG. 1 depict environmental matter and form no part of the claimed design.

**1 Claim, 2 Drawing Sheets**



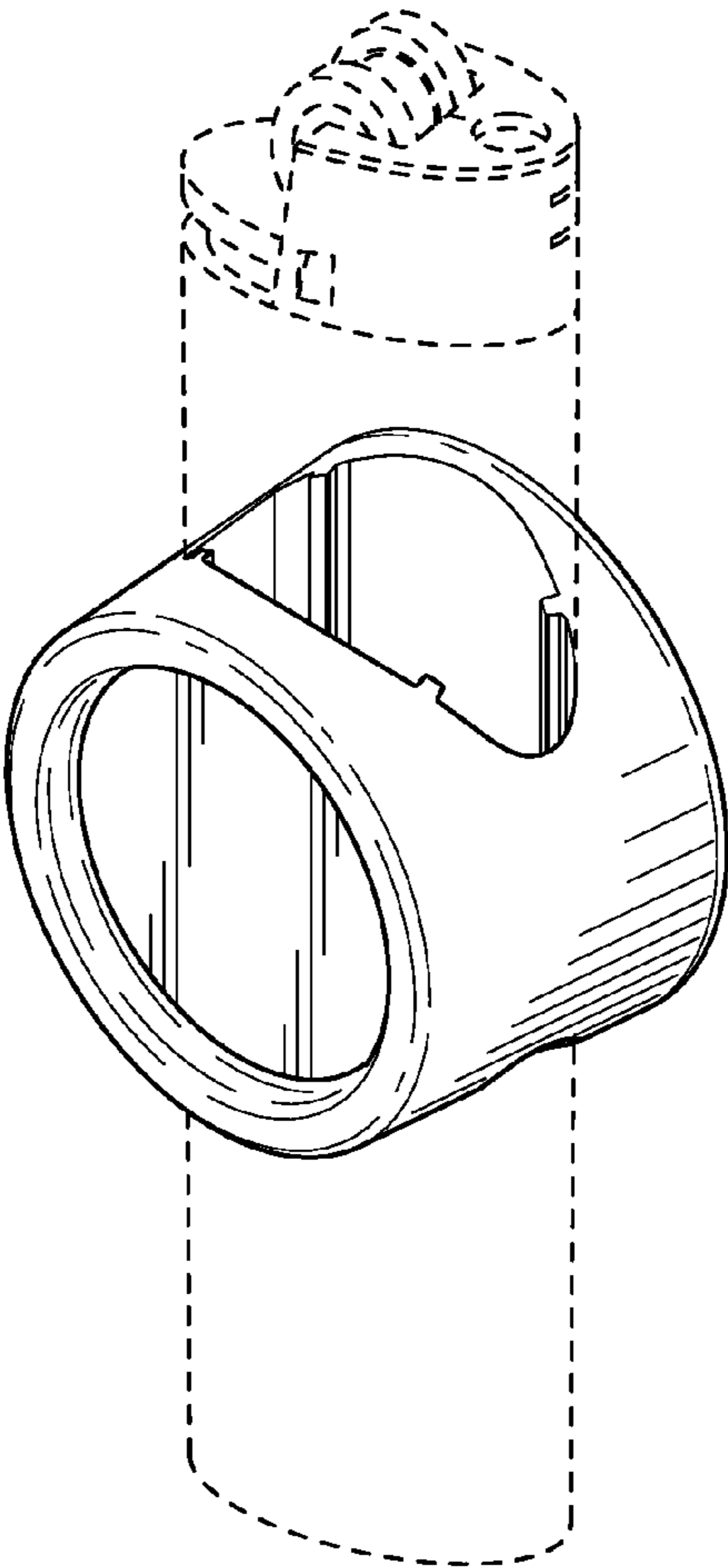


FIG. 1

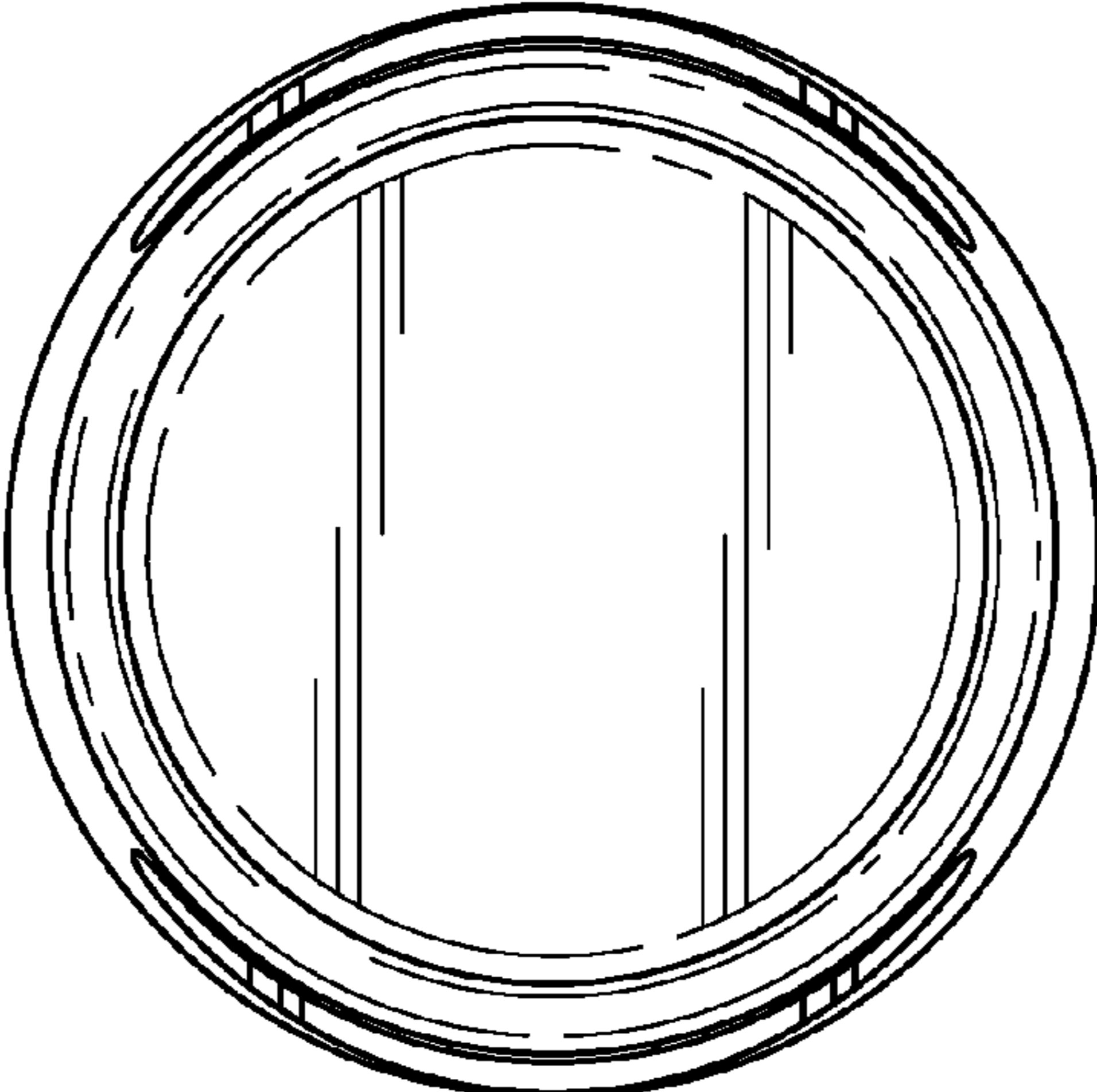


FIG. 2

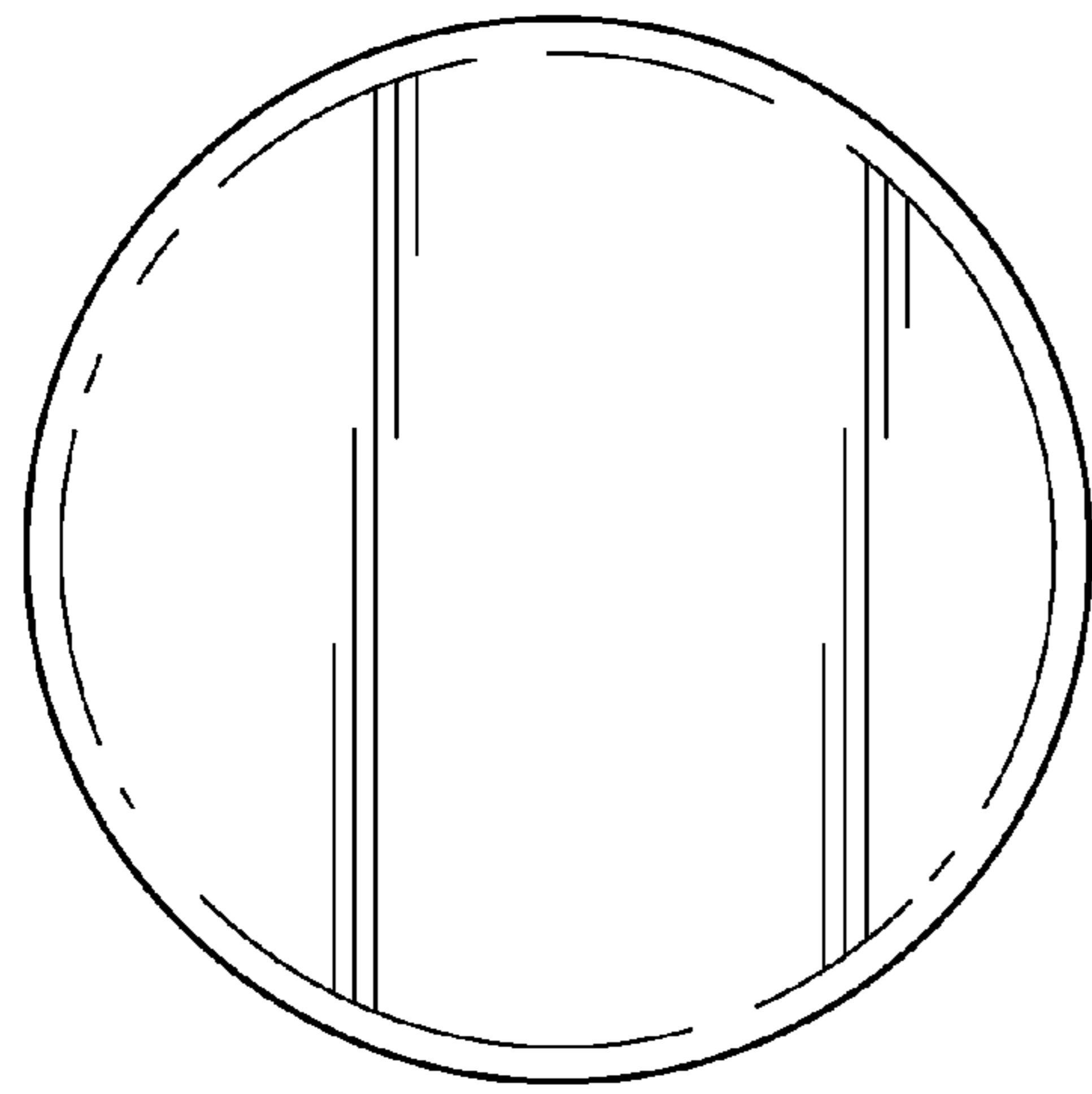


FIG. 3

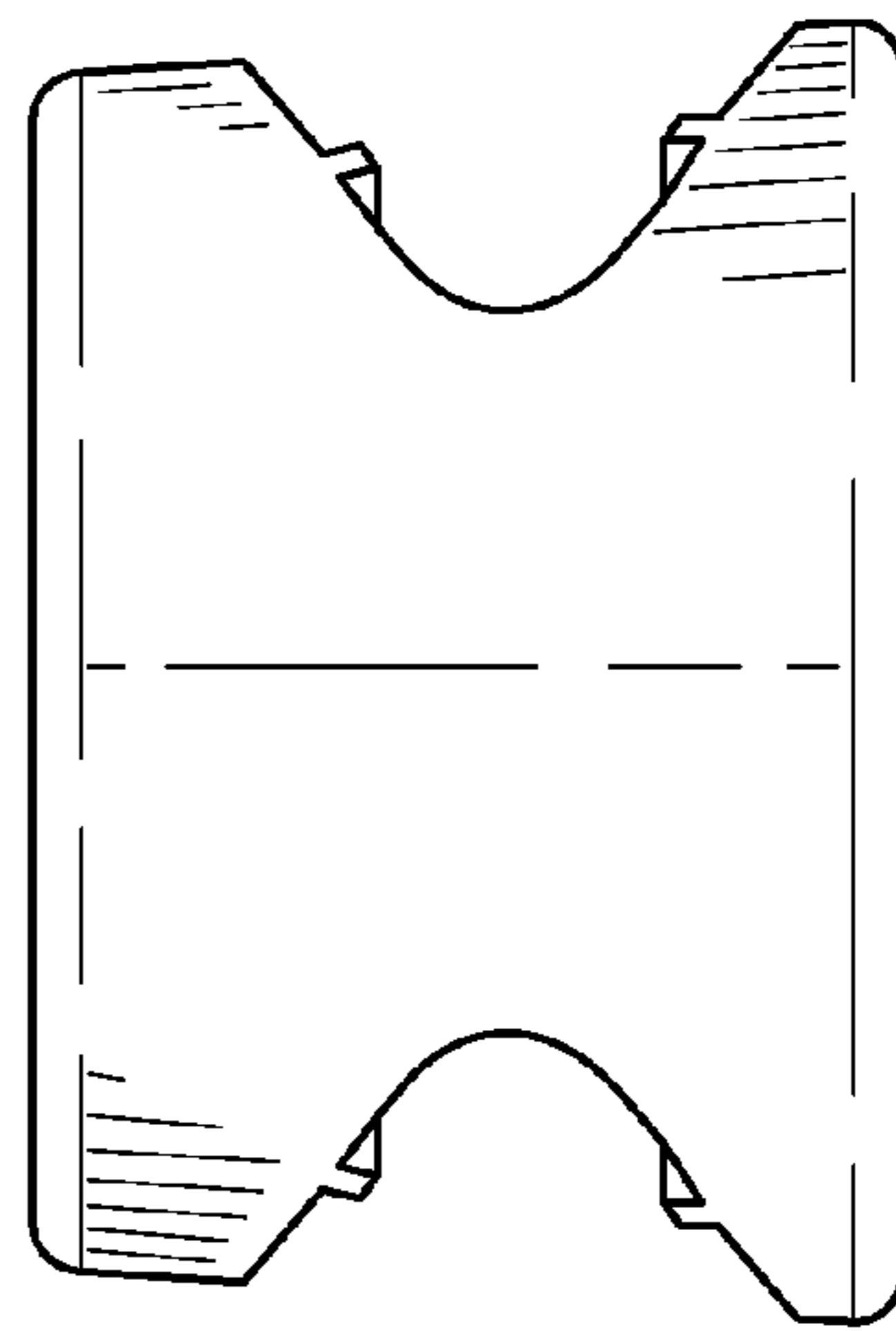
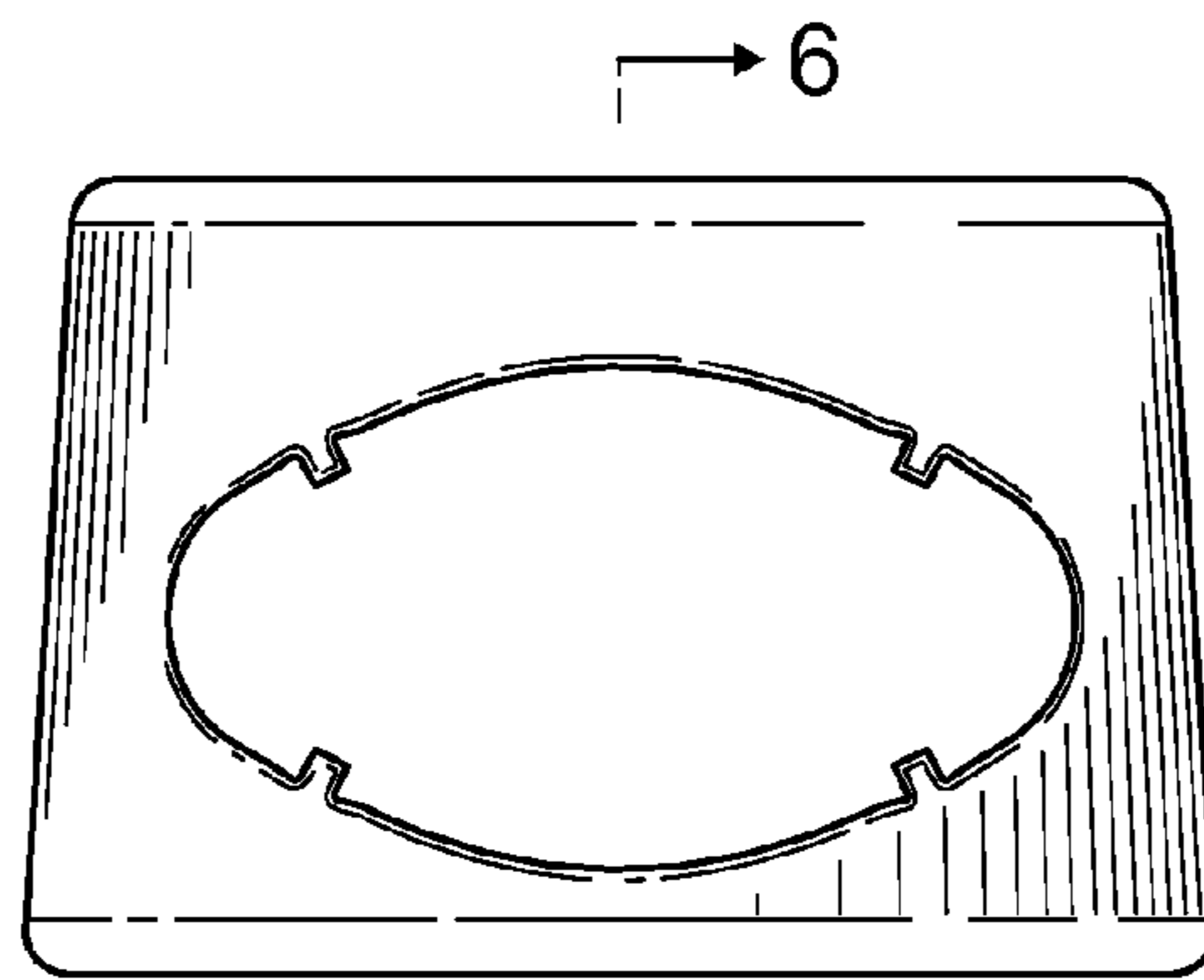


FIG. 4



→ 6

→ 6  
FIG. 5

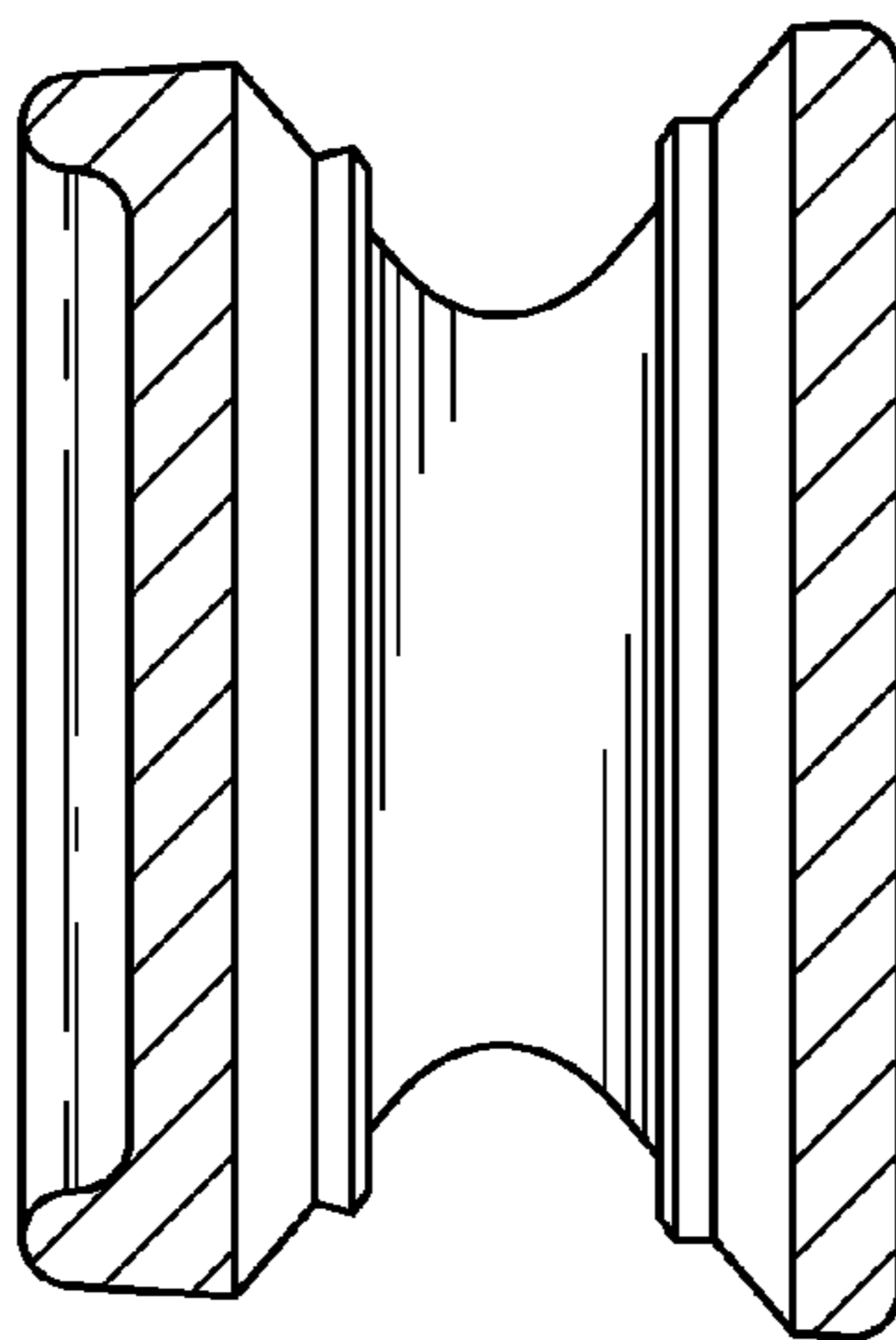


FIG. 6