



US00D742584S

(12) **United States Design Patent**
Beverly et al.

(10) **Patent No.:** **US D742,584 S**
(45) **Date of Patent:** **** Nov. 3, 2015**

(54) **TORCH BASE WITH ASH TRAY AND STORAGE**

(71) Applicants: **Jeff Beverly**, Boynton Beach, FL (US);
Greg Otto, Delray Beach, FL (US)

(72) Inventors: **Jeff Beverly**, Boynton Beach, FL (US);
Greg Otto, Delray Beach, FL (US)

(**) Term: **14 Years**

(21) Appl. No.: **29/462,663**

(22) Filed: **Aug. 6, 2013**

(51) **LOC (10) Cl.** **27-03**

(52) **U.S. Cl.**
USPC **D27/125; D27/130**

(58) **Field of Classification Search**
USPC D27/102–103, 109, 111–112, 124–126,
D27/128, 129–130, 133–138, 142–144, 161,
D27/167, 172, 181, 194–196; D8/1, 77;
D7/387, 399, 682, 584, 587; 131/177,
131/184.1, 235.1, 238, 240.1, 243, 247,
131/256, 258; D9/428
CPC A24F 23/04; A24F 9/02; A24F 19/00;
A24F 19/0014; A24F 19/0028; A24F 19/025;
A24F 19/0035; A24F 15/08; A24F 19/10;
A24F 19/14; A24F 13/18; A24F 19/0071;
A24F 19/0078; A24F 19/0085; A24F 19/02
See application file for complete search history.

(56) **References Cited**

U.S. PATENT DOCUMENTS

D27,601 S * 8/1897 Hahn D27/126
D83,231 S * 2/1931 McArdle D27/130
D117,854 S * 11/1939 Pilot D27/126
2,210,972 A * 8/1940 Christenson 211/41.2

D148,718 S * 2/1948 Peterson D27/126
D149,232 S * 4/1948 Stafford D27/126
D160,166 S * 9/1950 Greitzer D21/393
D179,410 S * 12/1956 Burke D27/126
D196,890 S * 11/1963 Garner D19/78
D207,375 S * 4/1967 Shreves D27/125
D215,114 S * 9/1969 Cronheim D27/126
D229,787 S * 1/1974 Pitts D27/126
D243,142 S * 1/1977 Chmela D27/104
D335,363 S * 5/1993 Van Norman et al. D27/142
D506,286 S * 6/2005 Fontaine D27/125

* cited by examiner

Primary Examiner — Susan Bennett Hattan

Assistant Examiner — Janice Hallmark

(74) *Attorney, Agent, or Firm* — QuickPatents; Kevin Prince

(57) **CLAIM**

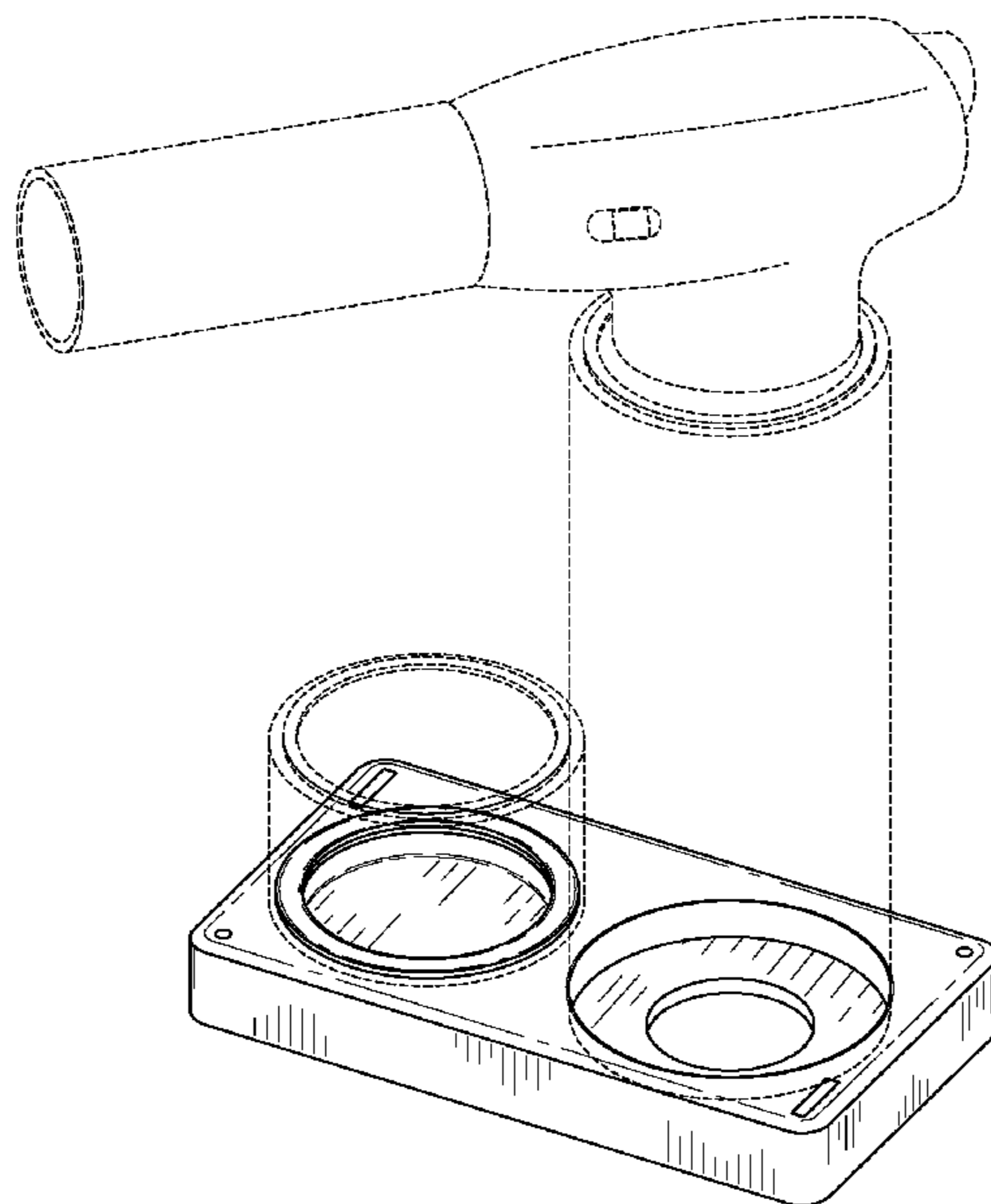
We claim the ornamental design for a torch base with ash tray and storage, as shown and described.

DESCRIPTION

FIG. 1 is a perspective view of a torch base with ash tray and storage, showing our new design;
FIG. 2 is a front elevational view thereof, the rear elevational view being a mirror image thereof;
FIG. 3 is a left-side elevational view thereof, the rear elevational view being a mirror image thereof;
FIG. 4 is a top plan view thereof;
FIG. 5 is a bottom plan view thereof; and,
FIG. 6 is a cross-sectional view thereof, taken along line 6-6 of FIG. 4.

The broken lines showing a container-lid and a torch in FIG. 1 depict environmental matter and the broken lines in FIG. 5 depict portions of the torch base with ash tray and storage; all broken lines form no part of the claimed design.

1 Claim, 2 Drawing Sheets



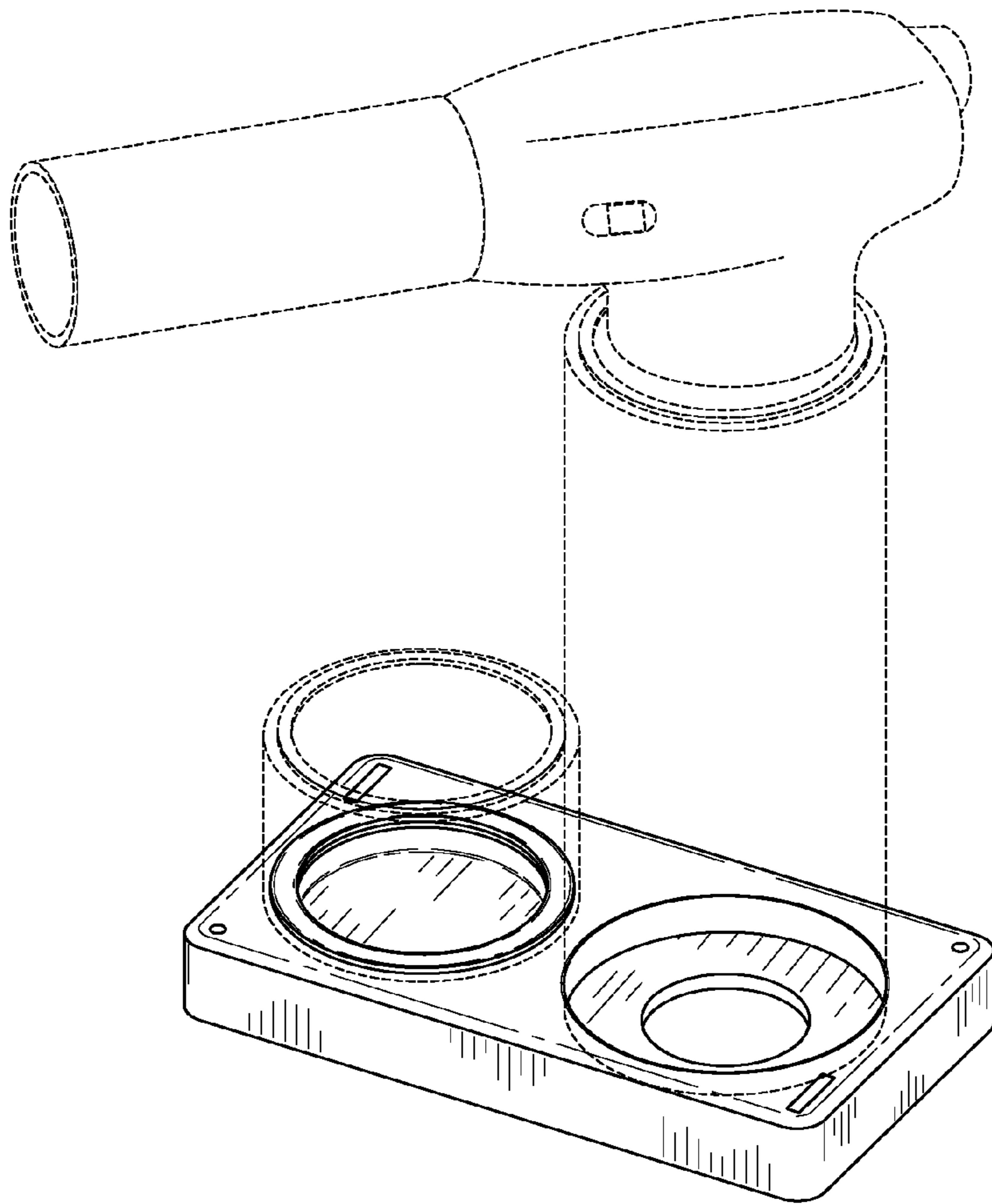


FIG. 1

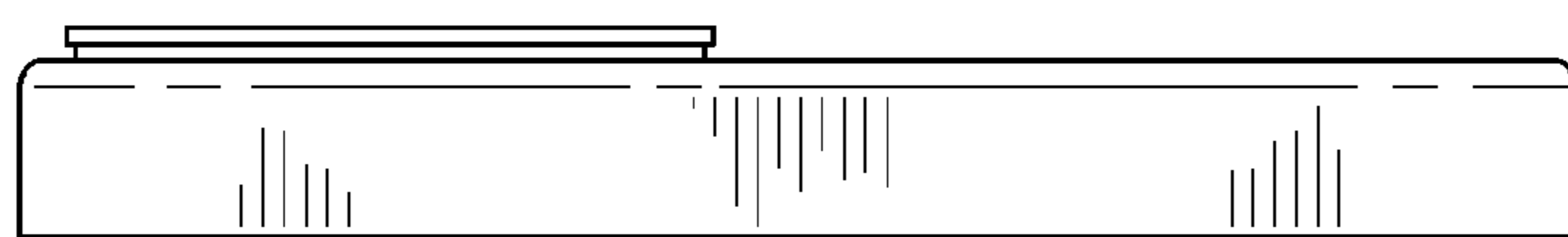


FIG. 2

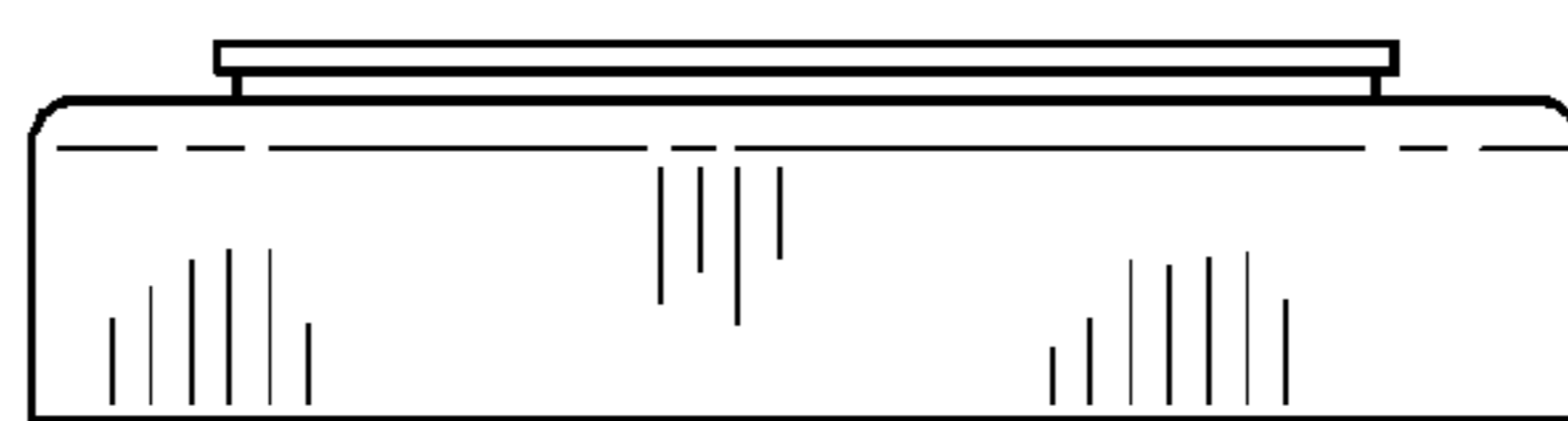


FIG. 3

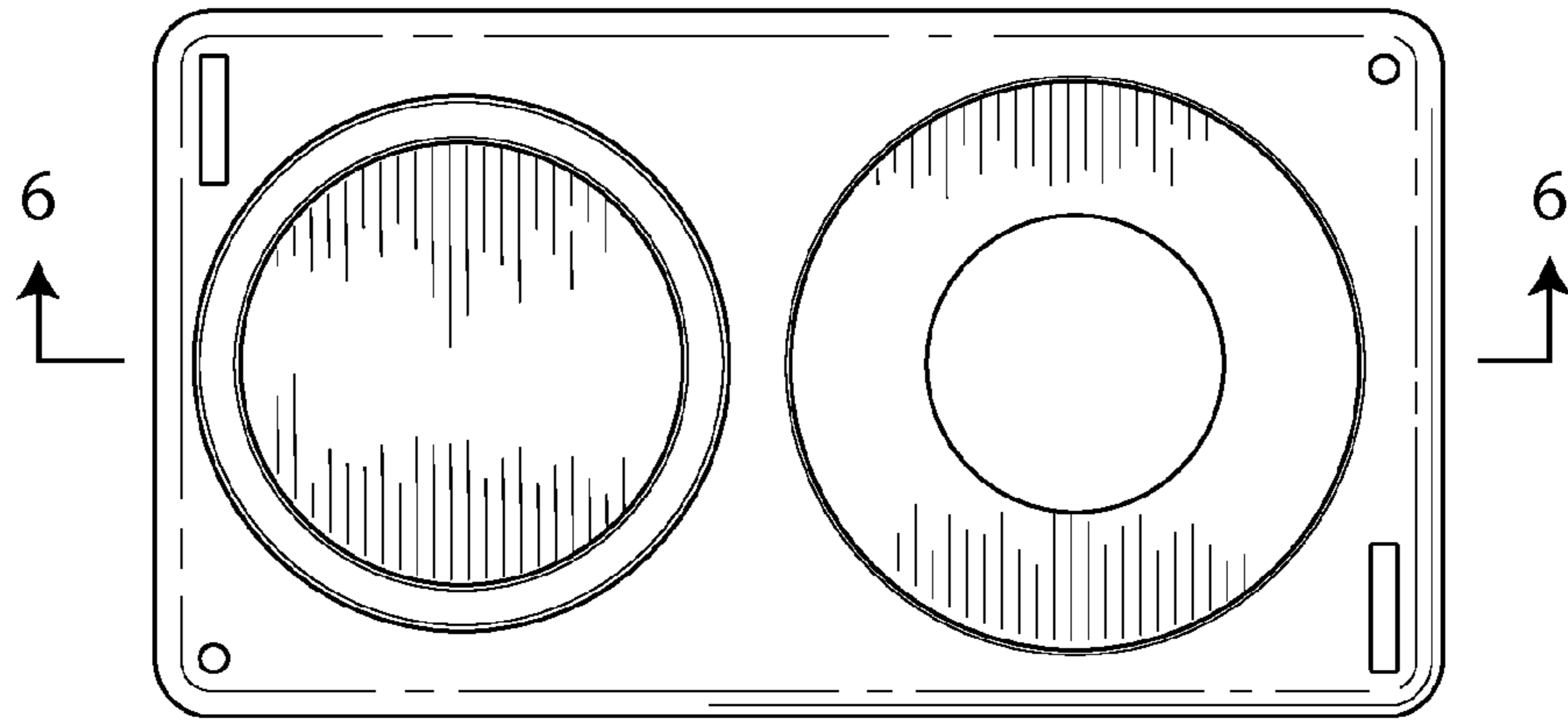


FIG. 4

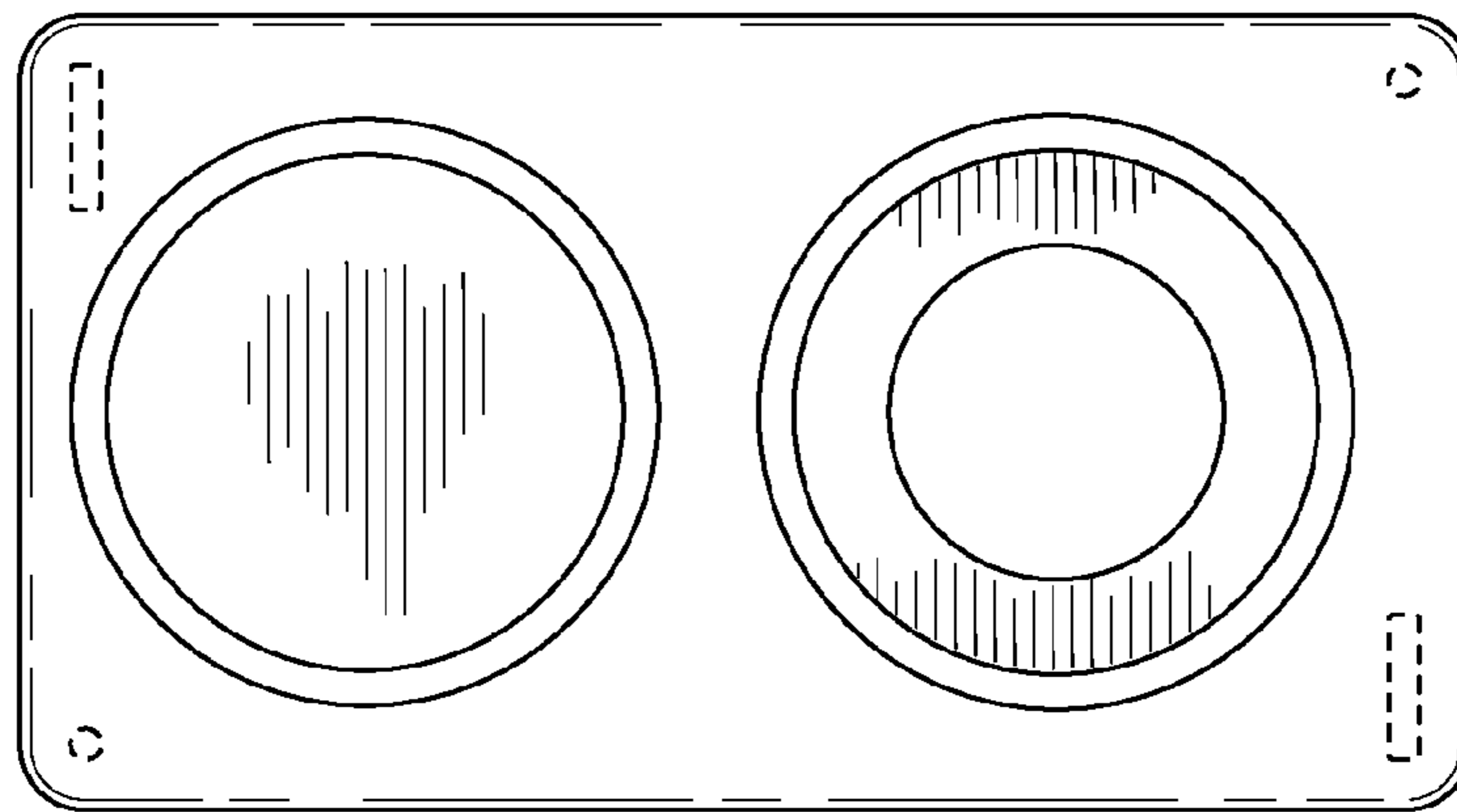


FIG. 5

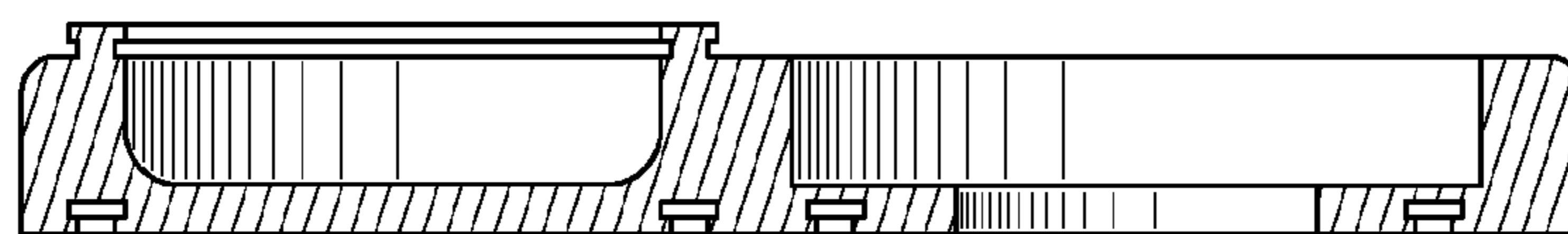


FIG. 6