

US00D742582S

(12) **United States Design Patent**
Blum et al.

(10) **Patent No.:** **US D742,582 S**
(45) **Date of Patent:** **** Nov. 3, 2015**

- (54) **WALL MOUNTED LIGHTING FIXTURE**
- (71) Applicant: **ABL IP Holding, LLC**, Conyers, GA (US)
- (72) Inventors: **Darren Blum**, San Mateo, CA (US); **Michael Trung Tran**, Oakland, CA (US); **Peter Y. Y. Ngai**, Alamo, CA (US); **Min-Hao Michael Lu**, Castro Valley, CA (US)
- (73) Assignee: **ABL IP Holding, LLC**, Conyers, GA (US)
- (**) Term: **14 Years**
- (21) Appl. No.: **29/506,116**
- (22) Filed: **Oct. 13, 2014**

Related U.S. Application Data

- (63) Continuation-in-part of application No. 29/465,819, filed on Aug. 30, 2013, now Pat. No. Des. 715,478.
- (51) **LOC (10) Cl.** **26-99**
- (52) **U.S. Cl.**
USPC **D26/120; D26/85**
- (58) **Field of Classification Search**
USPC D26/72, 85, 87, 89, 92, 118, 120
CPC F21S 8/03; F21S 8/033; F21S 8/036; F21S 8/037; F21S 8/043; F21S 8/06; F21V 21/02; F21V 33/006; F21W 2131/10; F21W 2131/107; F21W 2131/1005
See application file for complete search history.

References Cited

U.S. PATENT DOCUMENTS

- D303,849 S * 10/1989 Nugent D26/85
- D584,848 S * 1/2009 Menke D26/76

(Continued)

OTHER PUBLICATIONS

Edge Lighting "Twin Slim" surface mounted rectangular mirror shown on p. 37 of online catalog visited Feb. 26, 2009.*

(Continued)

Primary Examiner — Clare E Heflin
(74) *Attorney, Agent, or Firm* — Beeson Skinner Beverly, LLP

(57) **CLAIM**
The ornamental design for a wall mounted lighting fixture, as shown and described.

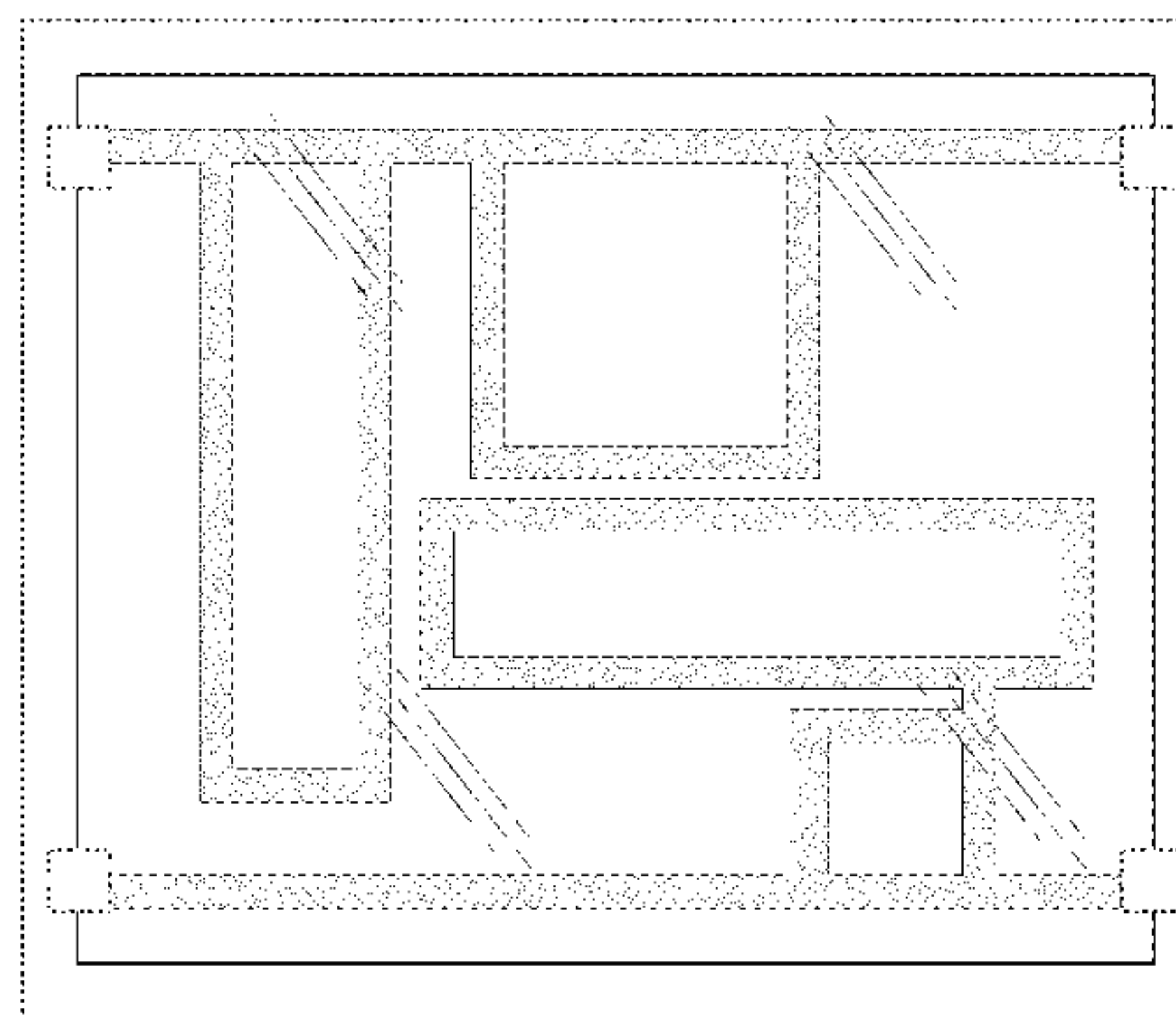
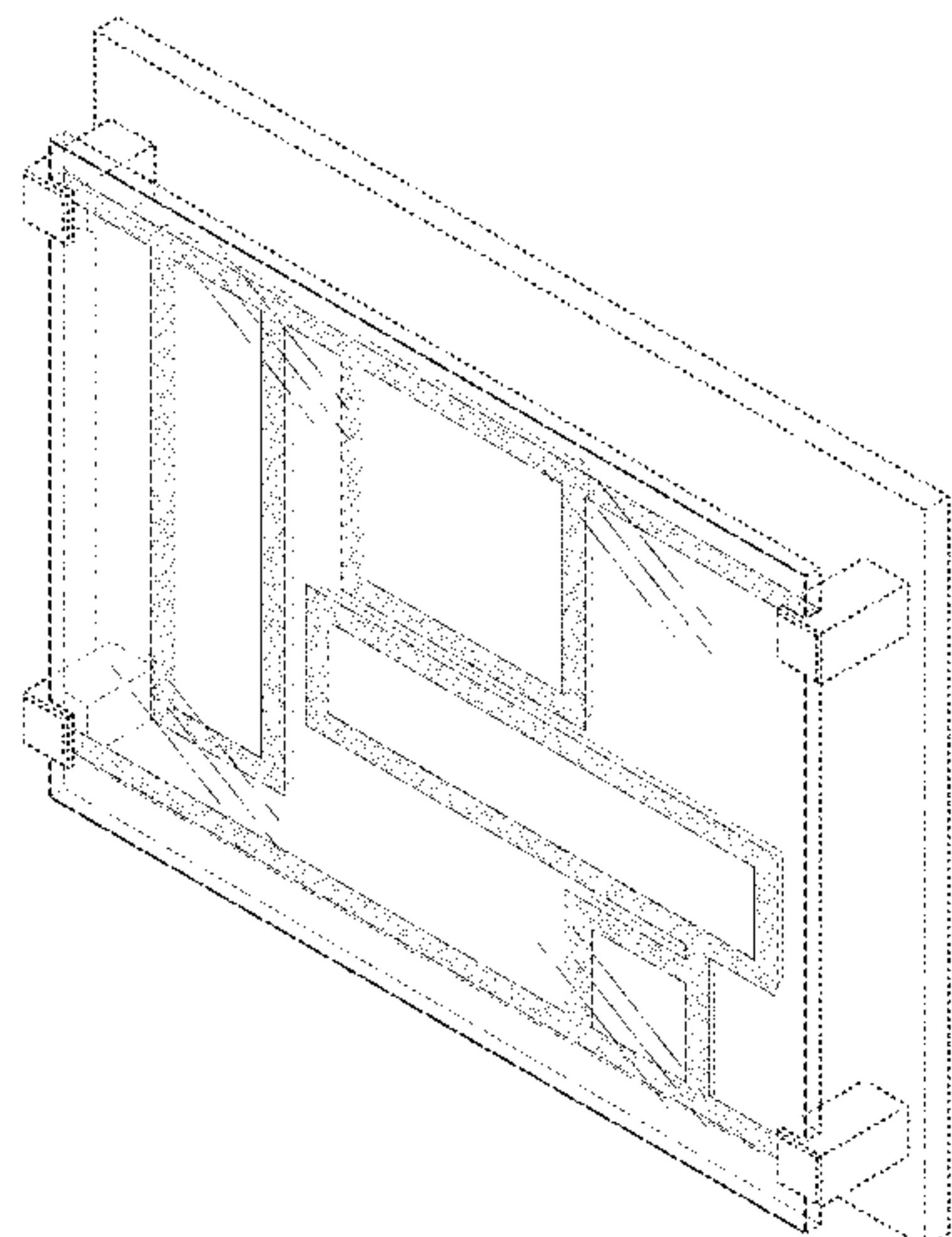
DESCRIPTION

FIG. 1 is a top front perspective view of a wall mounted lighting fixture showing our new design; FIG. 2 is a front elevational view thereof; FIG. 3 is a right side elevational view thereof; FIG. 4 is a left side elevational view thereof; FIG. 5 is a top plan view thereof; and, FIG. 6 is a bottom plan view thereof.

The broken lines shown in FIGS. 1-6 represent the body of a transparent front plate, and a back mounting plate and support posts for the transparent front plate; the body of the transparent front plate, the back plate and the support posts form no part of the claimed design.

The claimed design is the surface design on a transparent front plate of a wall mounted lighting fixture. The transparent front plate can be mounted to a back mounting plate by corner posts. Flat area light sources, such as OLED panels, are affixed to the back of the transparent front plate to provide a pattern of flat area light sources on the transparent front plate. The areas of fine stippling shown in FIGS. 1 and 2 represent a decorative pattern of opaque masked areas on a surface, such as the back surface, of the fixture's transparent front plate. The masked areas surround the edges of the flat area light sources and extend to the corner posts. The wall mounted lighting fixture can be wired through the corner posts, and wires or conductor traces can extend from the corner posts to the flat area light sources behind the masked areas of the transparent front plate. The rectangular areas on the surface of the of the transparent front plate formed by the masked areas that surround the edges of the flat area light sources will be illuminated when the wall mounted lighting fixture is turned on.

1 Claim, 3 Drawing Sheets



(56)

References Cited

U.S. PATENT DOCUMENTS

D608,488 S * 1/2010 Miranda D26/86
 D626,282 S * 10/2010 Sabernig D26/120
 D671,255 S * 11/2012 Sonneman D26/85
 D674,952 S * 1/2013 Crosby D26/85
 8,430,530 B2 * 4/2013 Aurongzeb F21V 14/02
 362/249.03
 D697,656 S * 1/2014 Sabernig D26/122
 D701,634 S * 3/2014 Tomlinson D26/82
 8,723,403 B2 * 5/2014 Sun F21V 9/16
 313/110
 8,735,914 B2 * 5/2014 Agatani H01L 25/0753
 257/88
 D713,088 S * 9/2014 Kitts D26/85
 D715,478 S * 10/2014 Blum D26/85

D728,143 S * 4/2015 Nankil D26/85
 2010/0237805 A1 * 9/2010 Yamazaki F21K 9/13
 315/309
 2013/0027927 A1 * 1/2013 Wegger F21S 8/06
 362/235
 2013/0182417 A1 * 7/2013 Amat Girbau F21S 8/033
 362/147
 2014/0247600 A1 * 9/2014 Tanahashi F21V 7/00
 362/307

OTHER PUBLICATIONS

Edge Lighting “Reflection” surface mounted rectangular mirror
 shown on p. 38 of online catalog visited Feb. 26, 2009.*
 Edge Lighting “Plaze Large” surface mounted rectangular mirror
 shown on p. 39 of online catalog visited Feb. 26, 2009.*

* cited by examiner

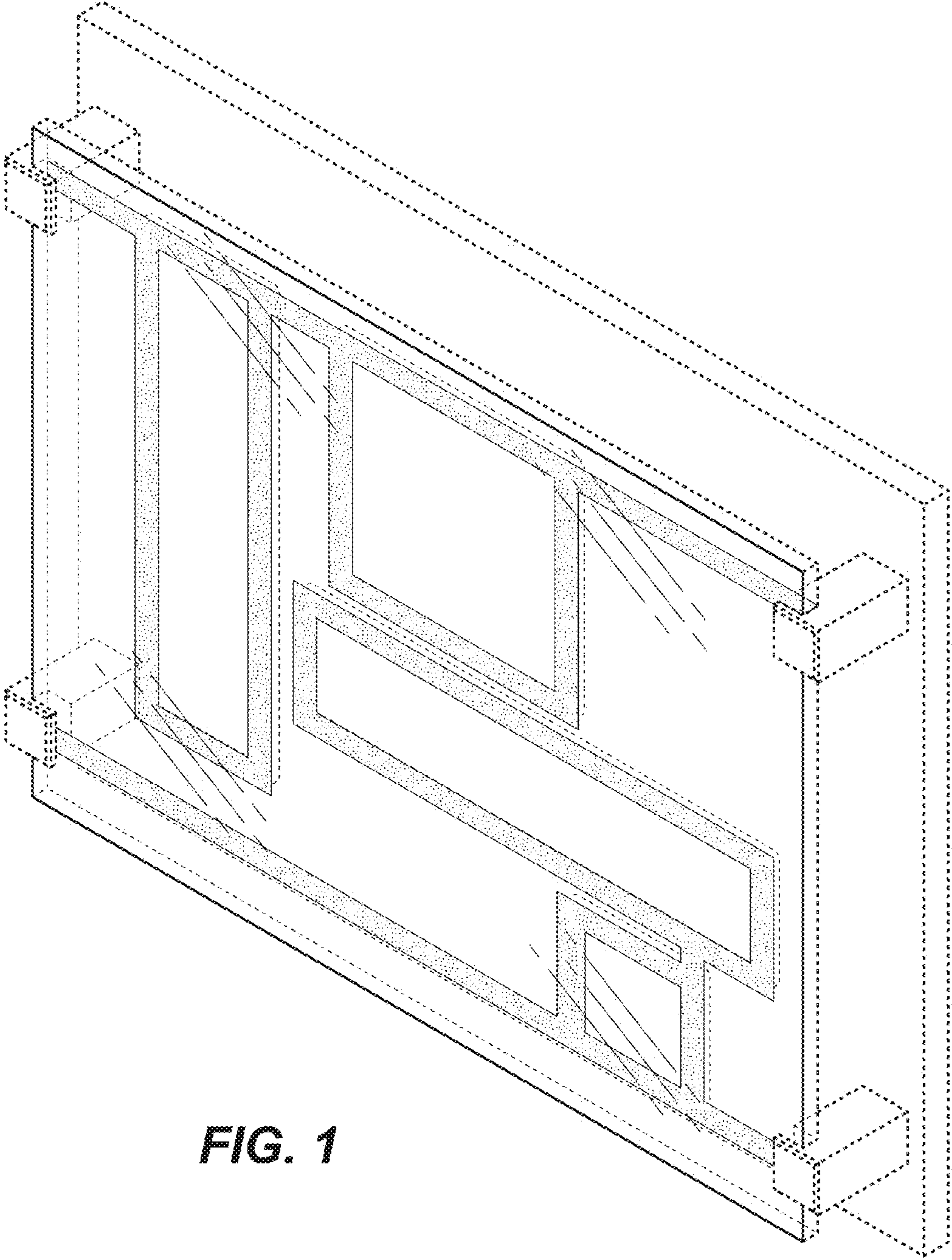


FIG. 1

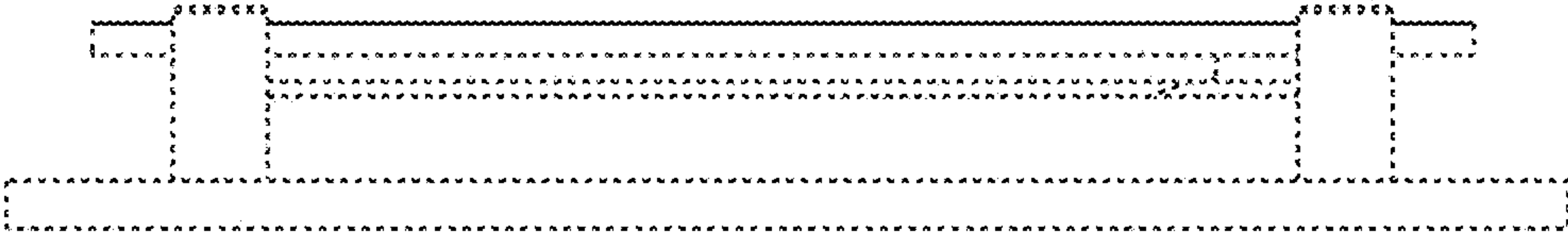


FIG. 4

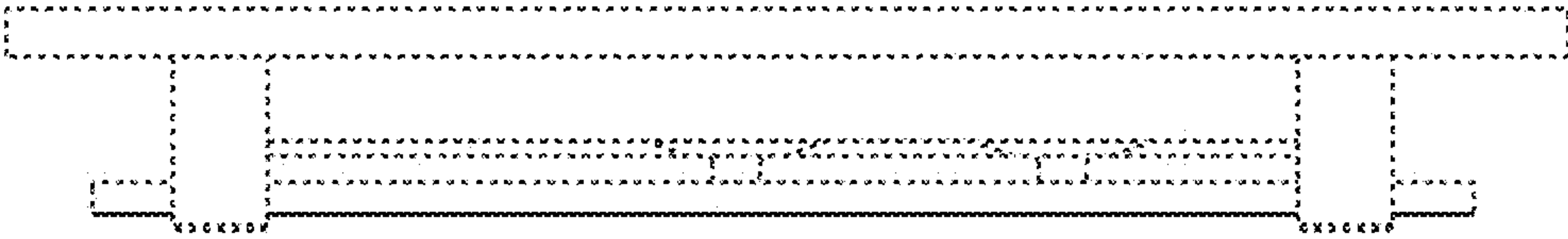


FIG. 3

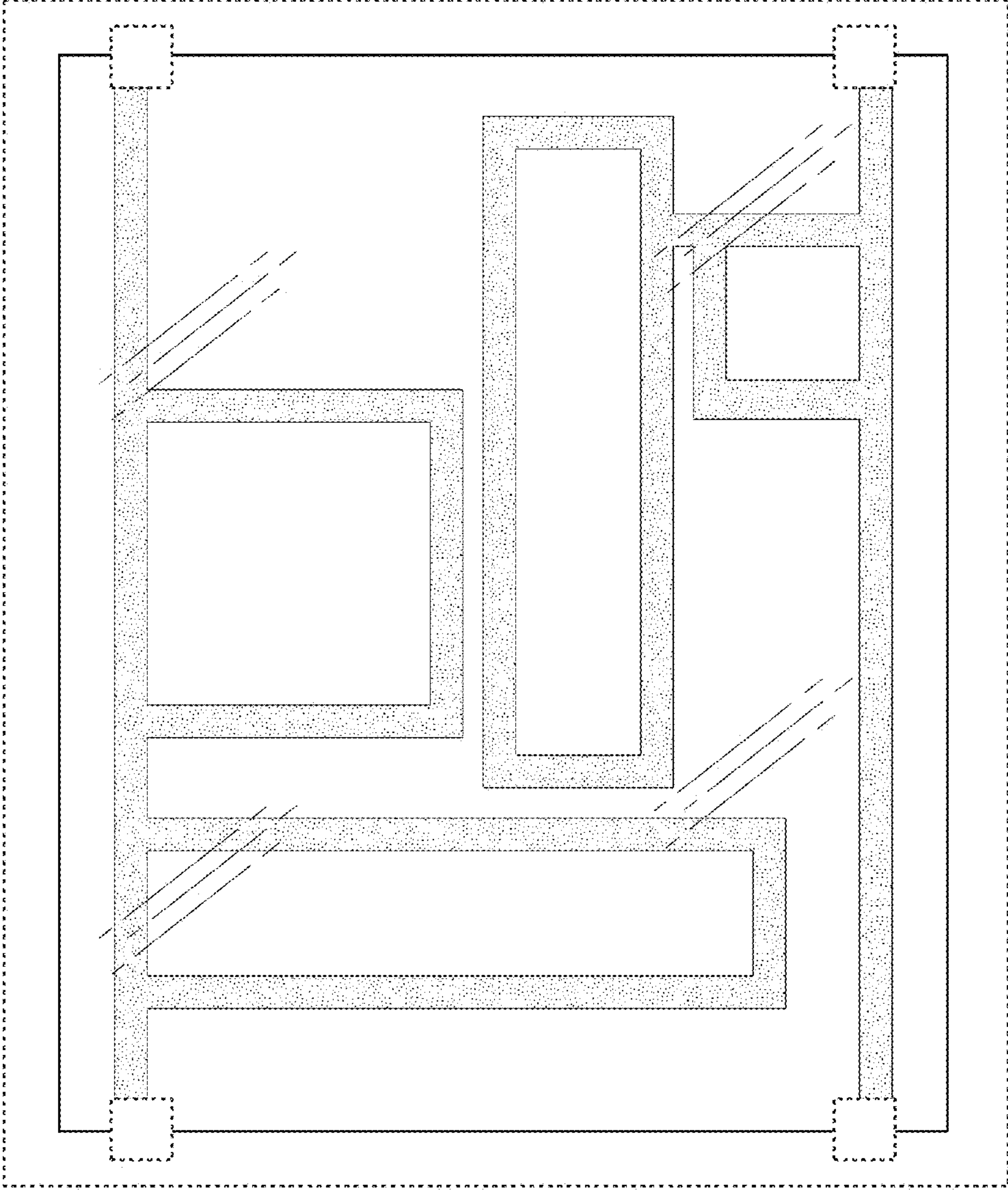


FIG. 2

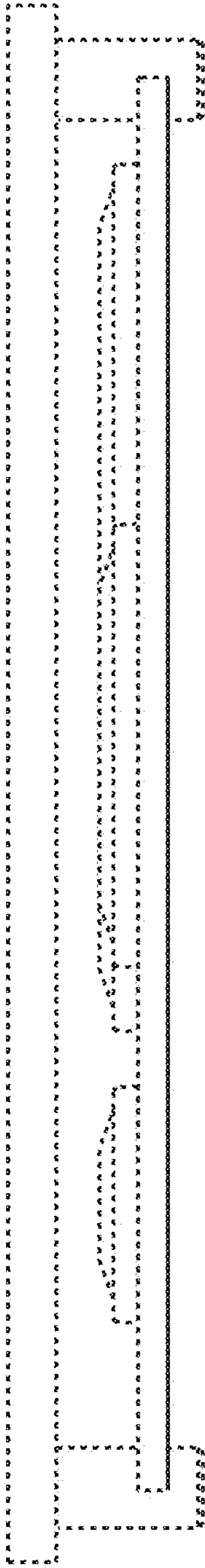


FIG. 5

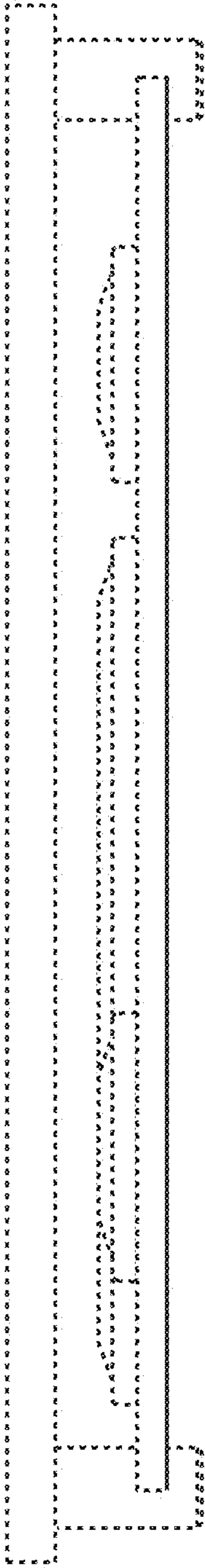


FIG. 6