



US00D742580S

(12) **United States Design Patent**
Gilad

(10) **Patent No.:** **US D742,580 S**

(45) **Date of Patent:** **** Nov. 3, 2015**

(54) **TABLE LAMP**

(71) Applicant: **FLOS S.p.A.**, Bovezzo, Brescia (IT)

(72) Inventor: **Ron Gilad**, Brescia (IT)

(73) Assignee: **FLOS S.p.A.**, Bovezzo (Brescia) (IT)

(**) Term: **14 Years**

(21) Appl. No.: **29/468,919**

(22) Filed: **Oct. 4, 2013**

(30) **Foreign Application Priority Data**

Apr. 8, 2013 (IT) BS2013O0015

(51) **LOC (10) Cl.** **26-03**

(52) **U.S. Cl.**
USPC **D26/107**

(58) **Field of Classification Search**
USPC D26/24, 93, 106, 107, 60, 61, 63
CPC F21S 6/00; F21S 6/002; F21S 6/004;
F21S 6/008; F21S 8/08; F21V 5/00; F21W
2121/00; F21W 2131/30

See application file for complete search history.

(56) **References Cited**

U.S. PATENT DOCUMENTS

D344,361 S *	2/1994	Friedman et al.	D26/107
D486,938 S *	2/2004	Waldmann	D26/60
D563,013 S *	2/2008	Levine	D26/63
D585,578 S *	1/2009	Levine	D26/61
D611,634 S *	3/2010	Newhouse	D26/61
D658,800 S *	5/2012	Lai et al.	D26/63

* cited by examiner

Primary Examiner — Brian N Vinson

(74) *Attorney, Agent, or Firm* — Thomas|Horstemeyer, LLP

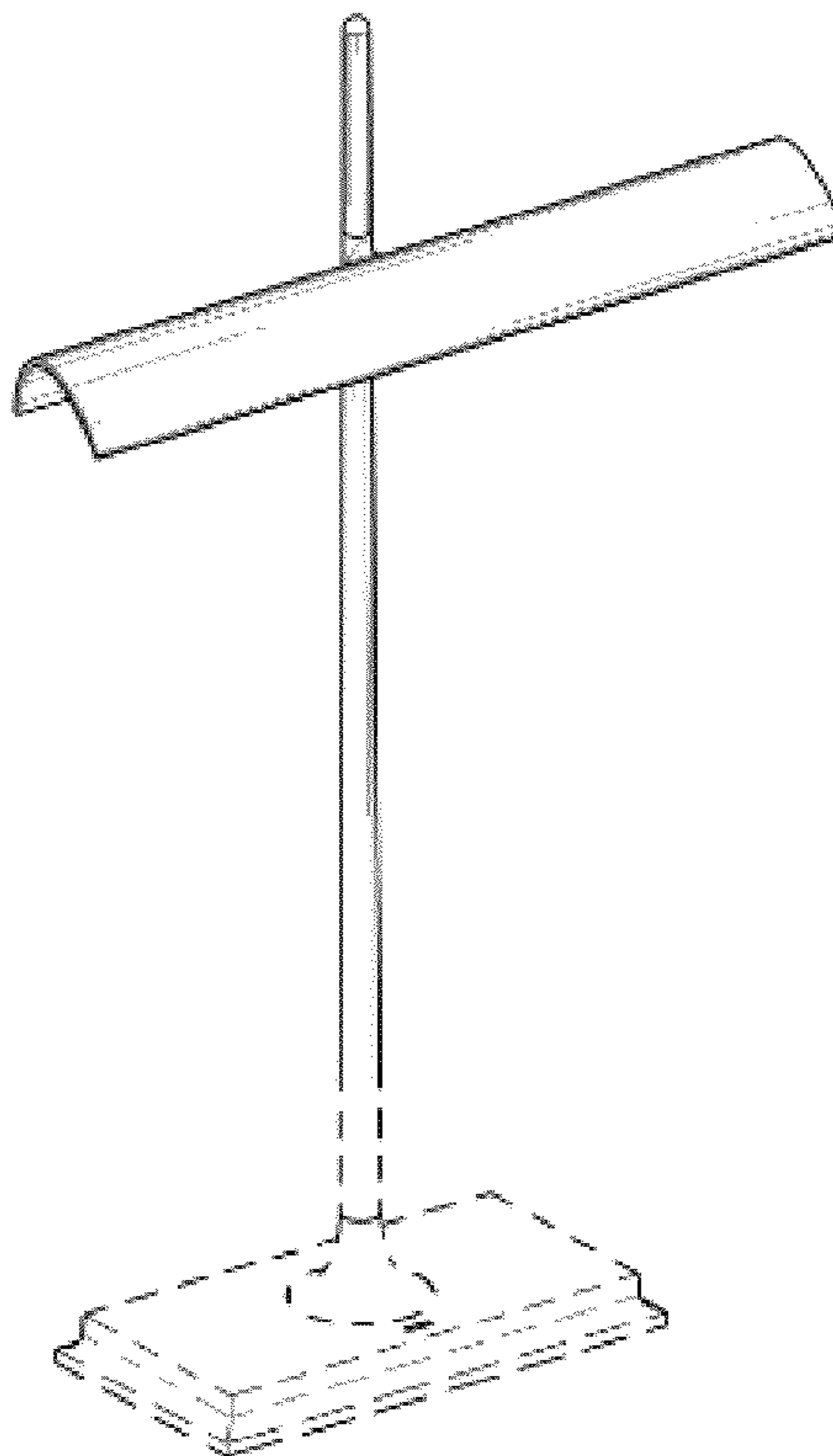
(57) **CLAIM**

The ornamental design for a table lamp, as shown and described.

DESCRIPTION

FIG. 1 is a perspective view of my new table lamp;
FIG. 2 is a side elevational view of my new table lamp;
FIG. 3 is another side elevational view of my new table lamp from a side opposite that of FIG. 2;
FIG. 4 is a front elevational view of my new table lamp;
FIG. 5 is a rear elevational view of my new table lamp, opposite that of FIG. 4;
FIG. 6 is a top view of my new table lamp; and,
FIG. 7 is a bottom view of my new table lamp.
The broken line showing of portions of the base of the table lamp in the figures is included for the purpose of illustrating environmental structure and forms no part of the claimed design.

1 Claim, 6 Drawing Sheets



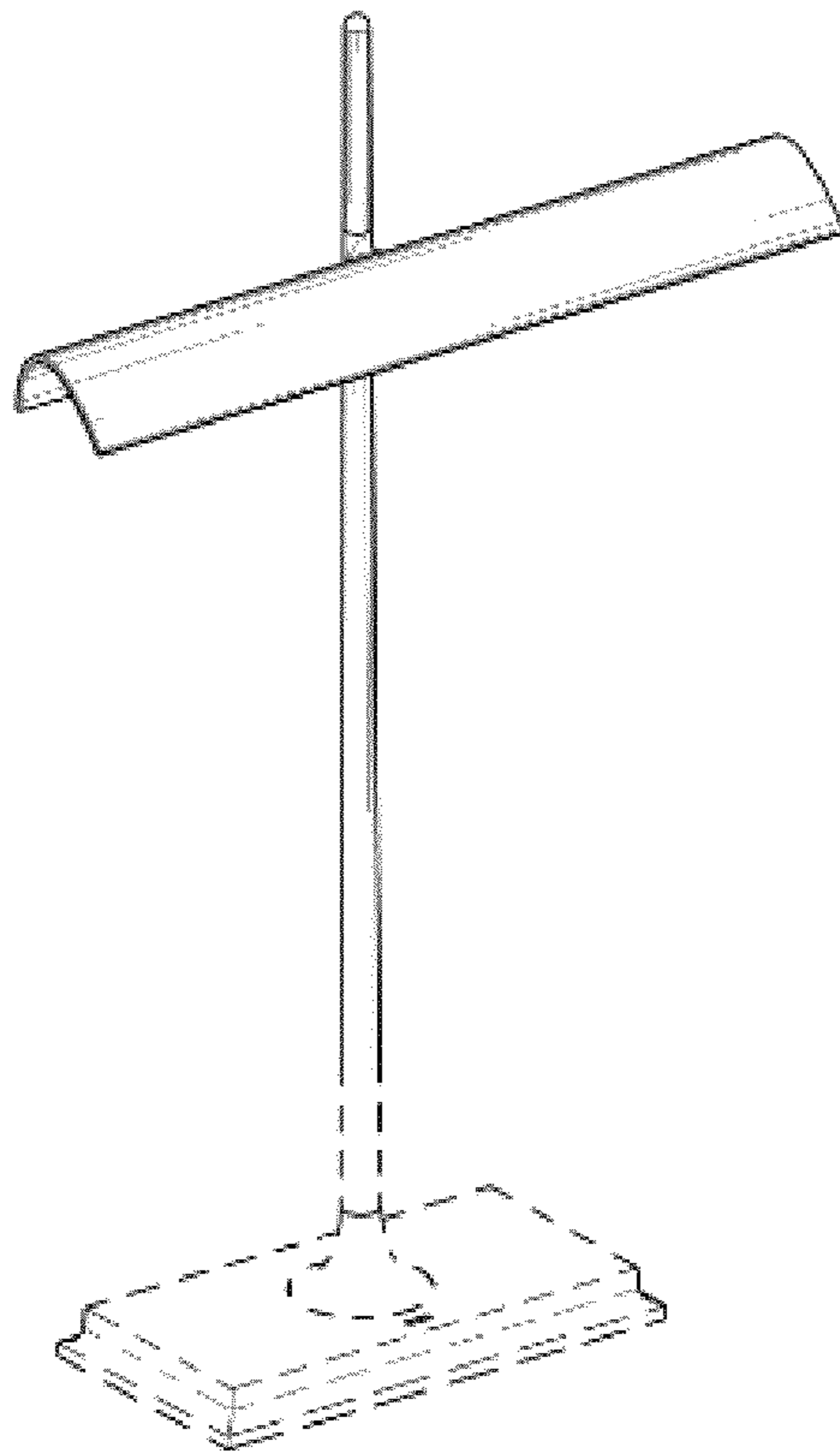


FIG. 1

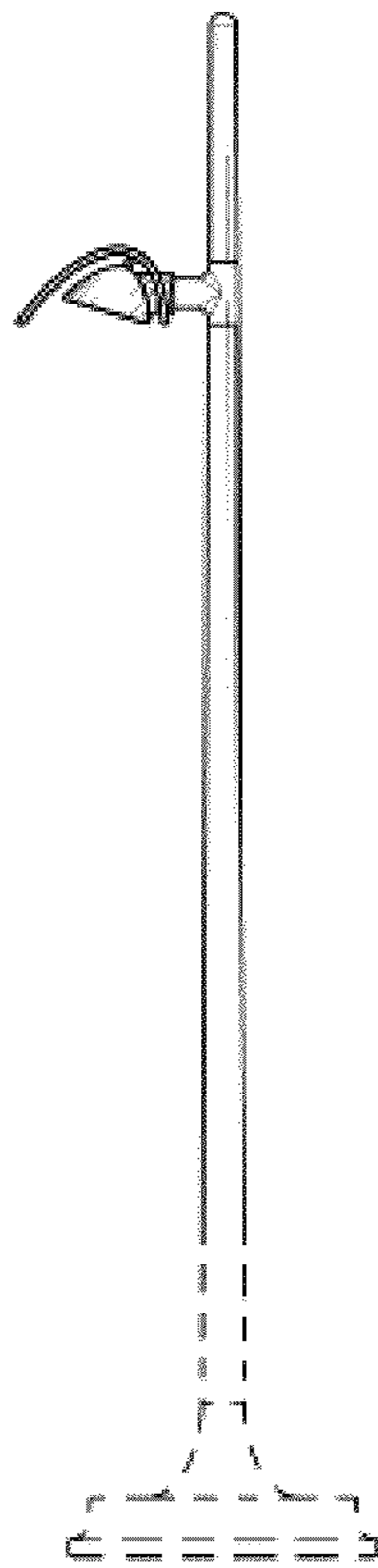


FIG. 2

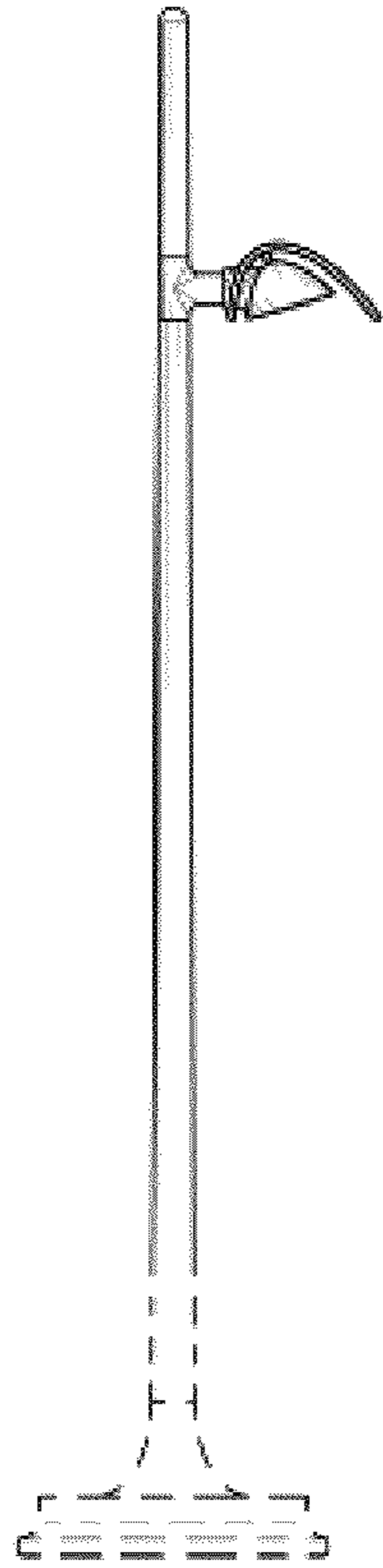


FIG. 3

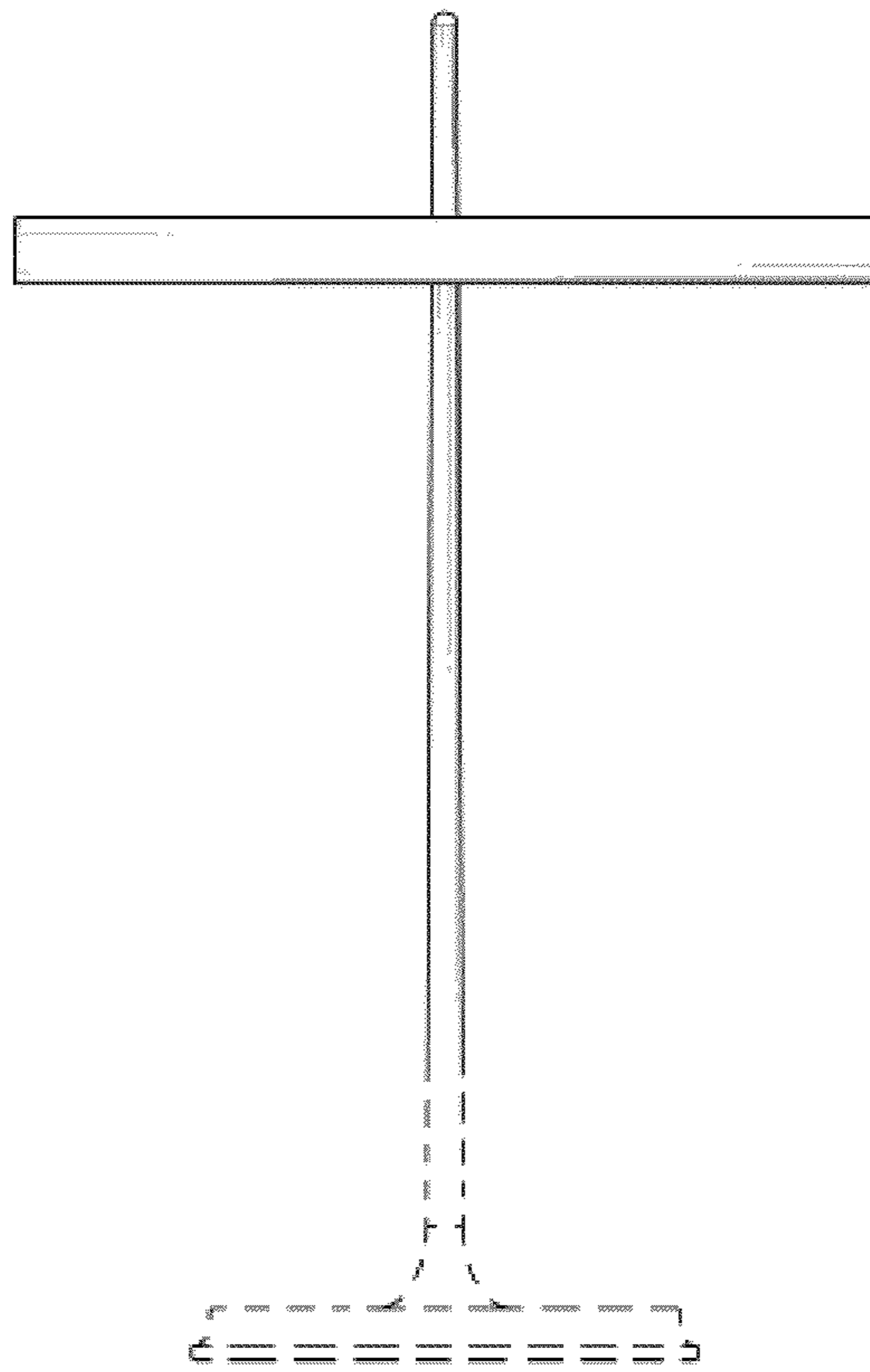


FIG. 4

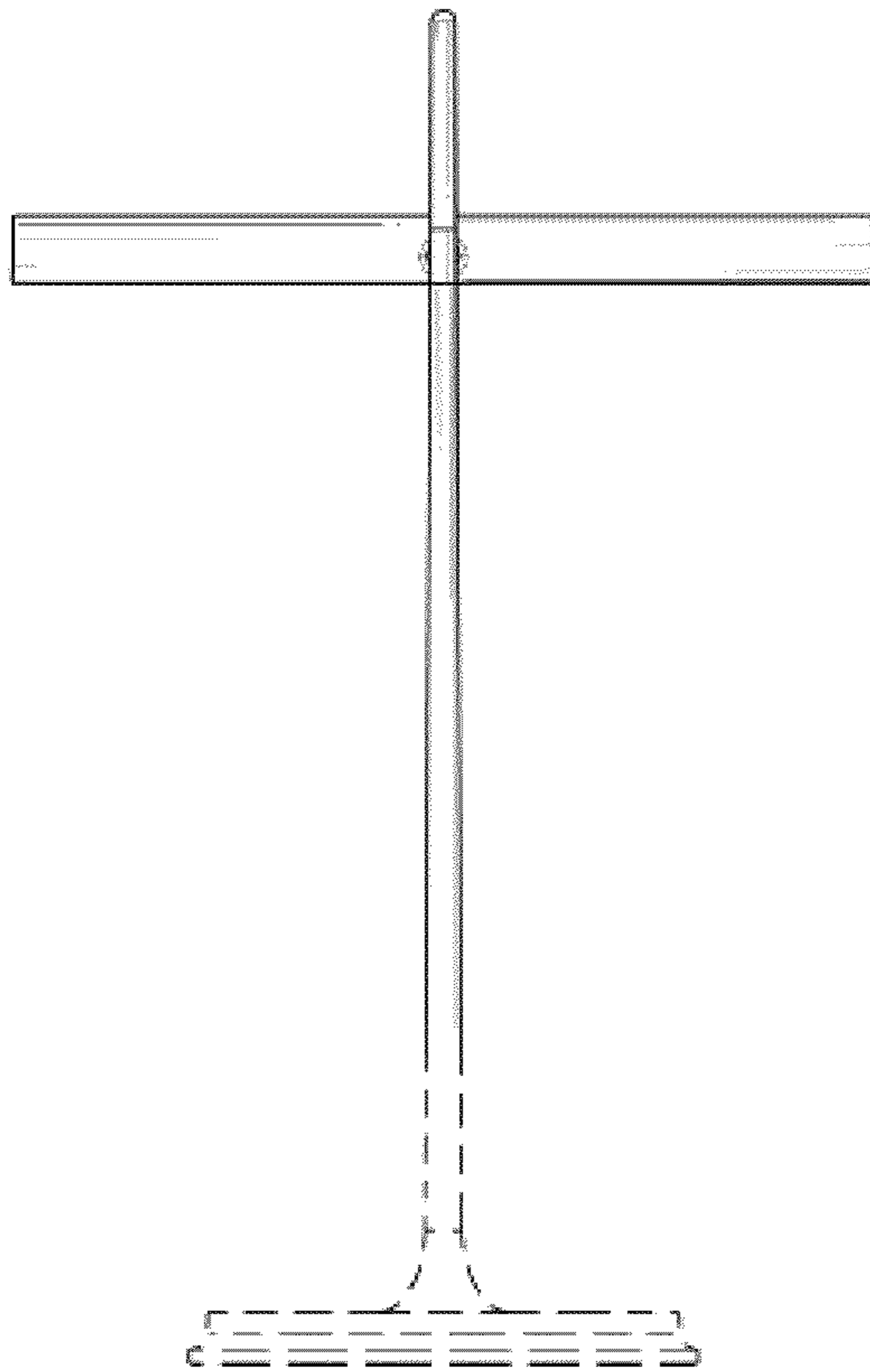


FIG. 5

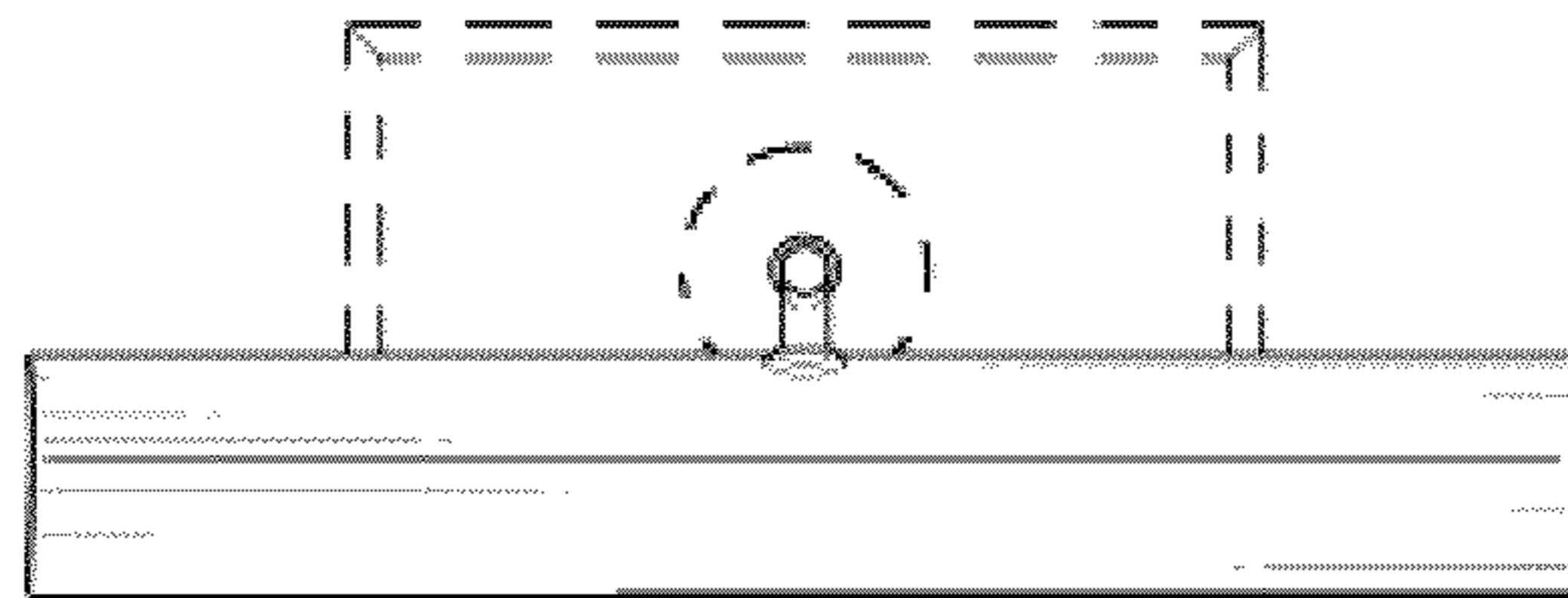


FIG. 6

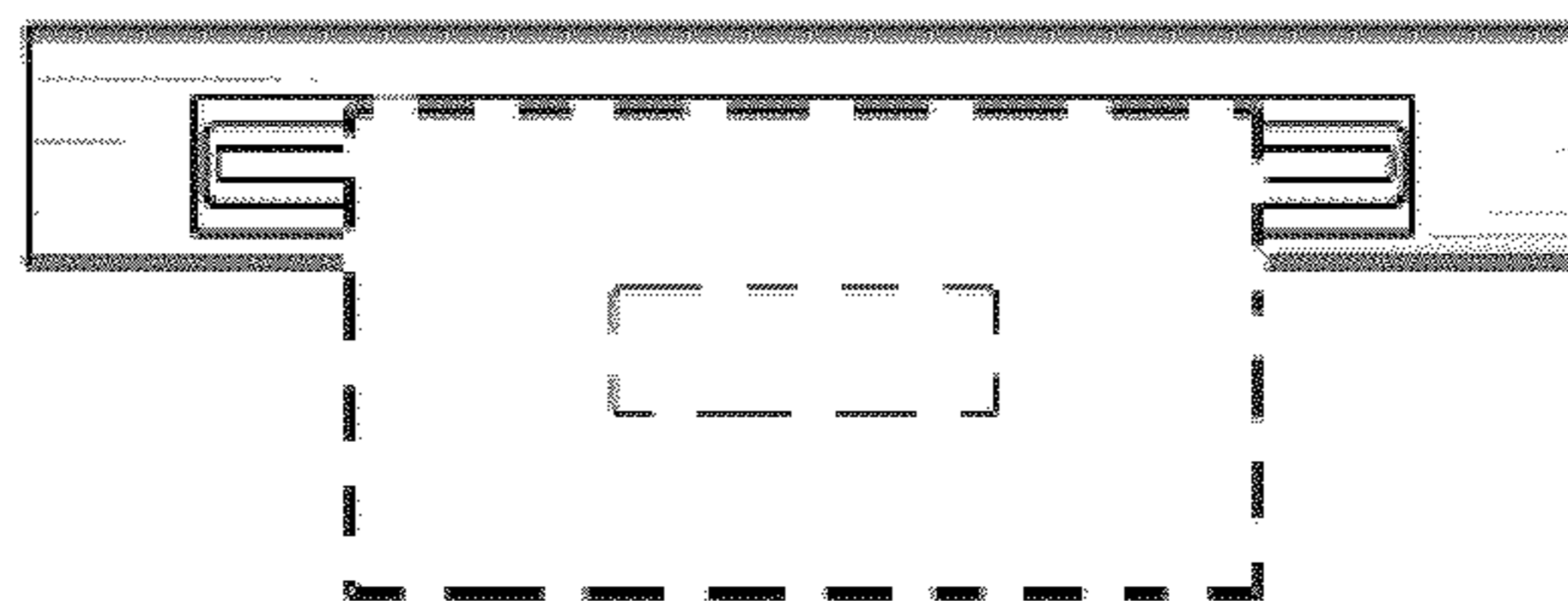


FIG. 7

UNITED STATES PATENT AND TRADEMARK OFFICE
CERTIFICATE OF CORRECTION

PATENT NO. : D742,580 S
APPLICATION NO. : 29/468919
DATED : November 3, 2015
INVENTOR(S) : Ron Gilad

Page 1 of 1

It is certified that error appears in the above-identified patent and that said Letters Patent is hereby corrected as shown below:

Title Page, item (30) Foreign Application Priority Data: change "BS2013O0015" to
-- BS2013O000015 --.

Signed and Sealed this
Twenty-second Day of March, 2016



Michelle K. Lee
Director of the United States Patent and Trademark Office