



US00D742576S

(12) **United States Design Patent**
Blum et al.

(10) **Patent No.:** **US D742,576 S**

(45) **Date of Patent:** **** Nov. 3, 2015**

(54) **LUMINAIRE**

(71) Applicant: **ABL IP Holding, LLC**, Conyers, GA
(US)

(72) Inventors: **Darren Blum**, San Mateo, CA (US);
Peter Y. Y. Ngai, Alamo, CA (US); **Ron
Carl Schimmelpfenning**, Winona, MN
(US); **Michael Evenson**, Rushford, MN
(US)

(73) Assignee: **ABL IP Holding, LLC**, Conyers, GA
(US)

(**) Term: **14 Years**

(21) Appl. No.: **29/507,651**

(22) Filed: **Oct. 29, 2014**

Related U.S. Application Data

(63) Continuation-in-part of application No. 29/492,463,
filed on May 30, 2014, now Pat. No. Des. 730,560.

(51) **LOC (10) Cl.** **26-03**

(52) **U.S. Cl.**
USPC **D26/87**

(58) **Field of Classification Search**
USPC D26/72, 85, 87, 89, 92, 118
CPC F21S 8/03; F21S 8/033; F21S 8/036;
F21S 8/037; F21S 8/043; F21S 8/06; F21V
21/02; F21V 33/006; F21W 2131/10; F21W
2131/107; F21W 2131/1005
See application file for complete search history.

(56) **References Cited**

U.S. PATENT DOCUMENTS

D167,863 S *	9/1952	Schreckengost	D26/87
D308,261 S *	5/1990	Shemitz	D26/87
D352,564 S *	11/1994	Marischen	D26/26
D424,232 S	5/2000	Tihany		
D448,881 S *	10/2001	Lin	D26/155
D454,971 S *	3/2002	Crosby	D26/85

D583,979 S *	12/2008	Sabernig	D26/87
D606,231 S	12/2009	Sabernig		
D606,701 S	12/2009	Chandler		
D608,935 S	1/2010	Pedersen		
D609,388 S *	2/2010	Sabernig	D26/85
D626,275 S	10/2010	Sabernig		
D627,503 S *	11/2010	Postelmans	D26/72
D646,423 S	10/2011	Chui		
D646,426 S	10/2011	Wolk		
D669,207 S	10/2012	Chen		
8,313,215 B1	11/2012	Wawak-Umscheid et al.		
D676,997 S *	2/2013	Tang	D26/87
8,430,530 B2 *	4/2013	Aurongzeb	F21S 8/06 362/249.03
D685,945 S	7/2013	Lindsley et al.		

(Continued)

Primary Examiner — Clare E Heflin

(74) *Attorney, Agent, or Firm* — Beeson Skinner Beverly,
LLP

(57) **CLAIM**

The ornamental design for a luminaire, as shown and
described.

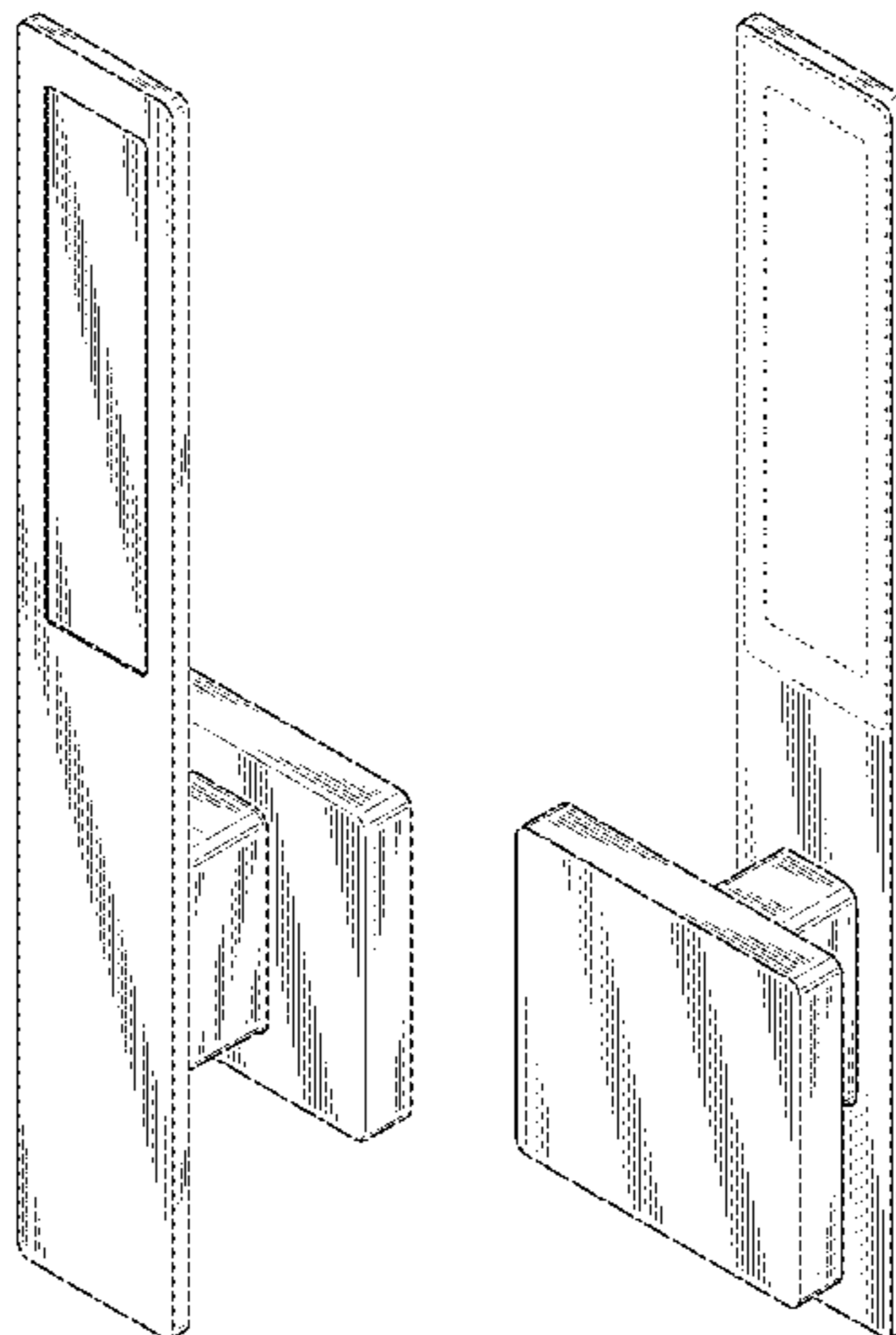
DESCRIPTION

FIG. 1 is a front perspective view of a luminaire, showing our
new design;
FIG. 2 is a rear perspective view thereof;
FIG. 3 is a front elevational view thereof;
FIG. 4 is a right side elevational view thereof, the left side
being a mirror image;
FIG. 5 is a rear elevational view thereof; and,
FIG. 6 is a top plan view thereof, the bottom plan view being
a mirror image.

The inner rectangular area at the front of the luminaire shown
in FIGS. 1 and 3 represents a light emitting surface of an area
light source, such as an OLED panel.

The inner broken line rectangles shown in FIGS. 2 and 5
represent a light emitting surface of an area light source, such
as an OLED panel, and a mounting ring plate therefor. The
structures shown in broken lines form no part of the claimed
design.

1 Claim, 3 Drawing Sheets



(56)

References Cited

U.S. PATENT DOCUMENTS

D697,248 S 1/2014 Martin
D703,864 S 4/2014 Blum et al.
D713,589 S 9/2014 Blum et al.
D713,591 S 9/2014 Blum et al.

D724,250 S 3/2015 Tran et al.
D730,560 S * 5/2015 Tran D26/85
2014/0049956 A1* 2/2014 Manahan F21V 21/14
362/233
2015/0060779 A1* 3/2015 Kawahara F21S 8/06
257/40

* cited by examiner

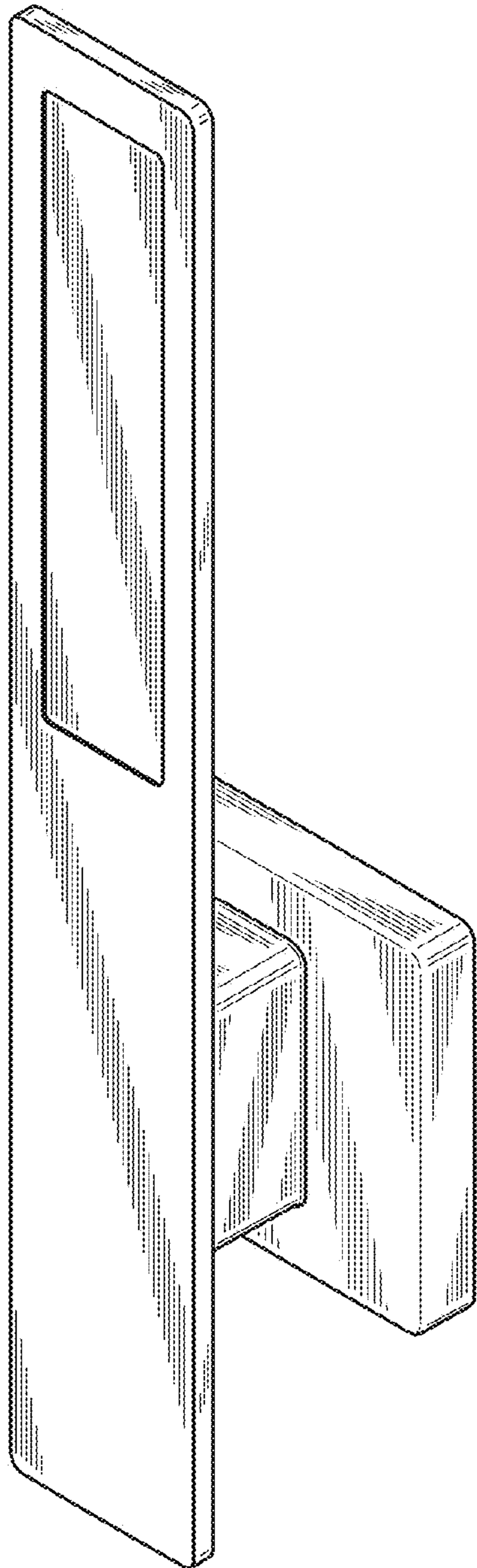


FIG. 1

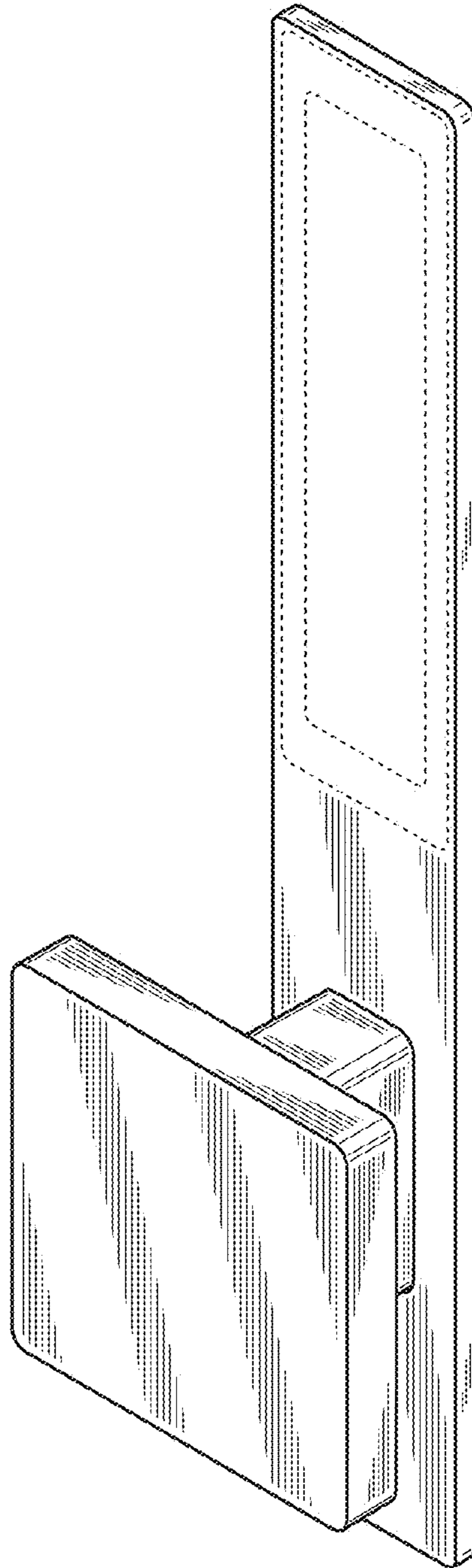


FIG. 2

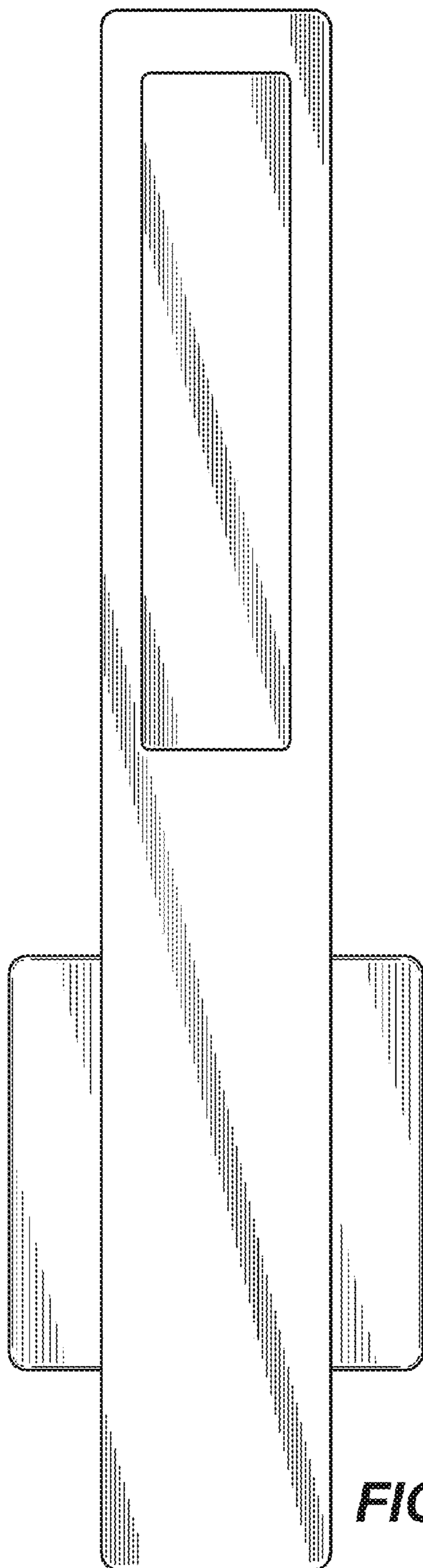


FIG. 3

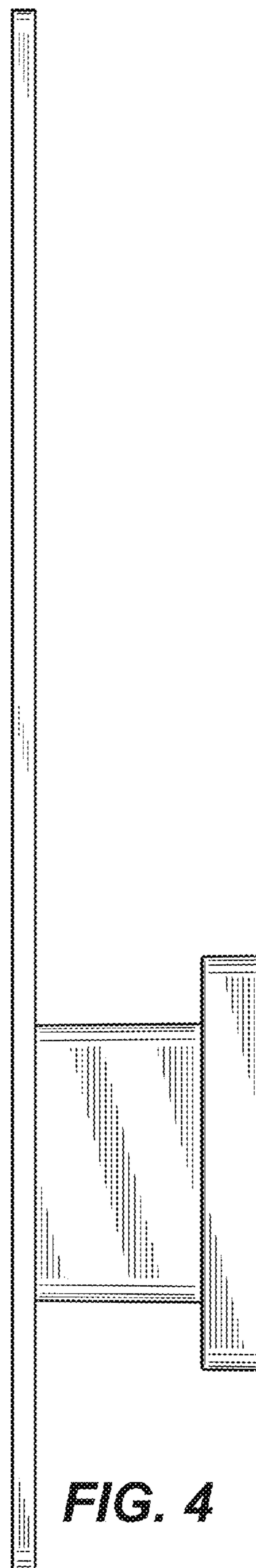


FIG. 4

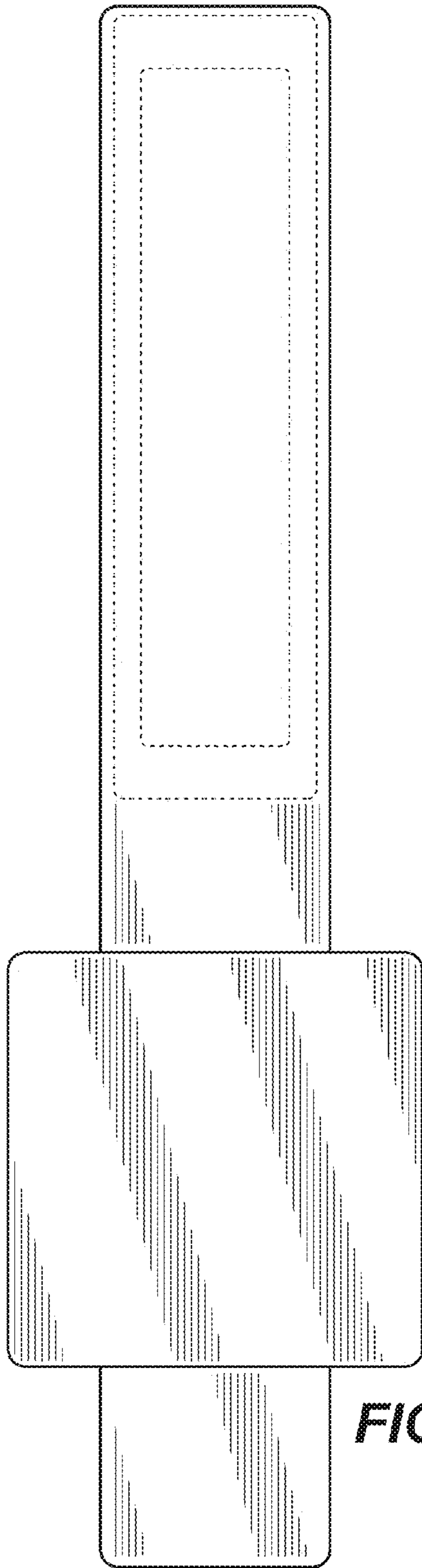


FIG. 5

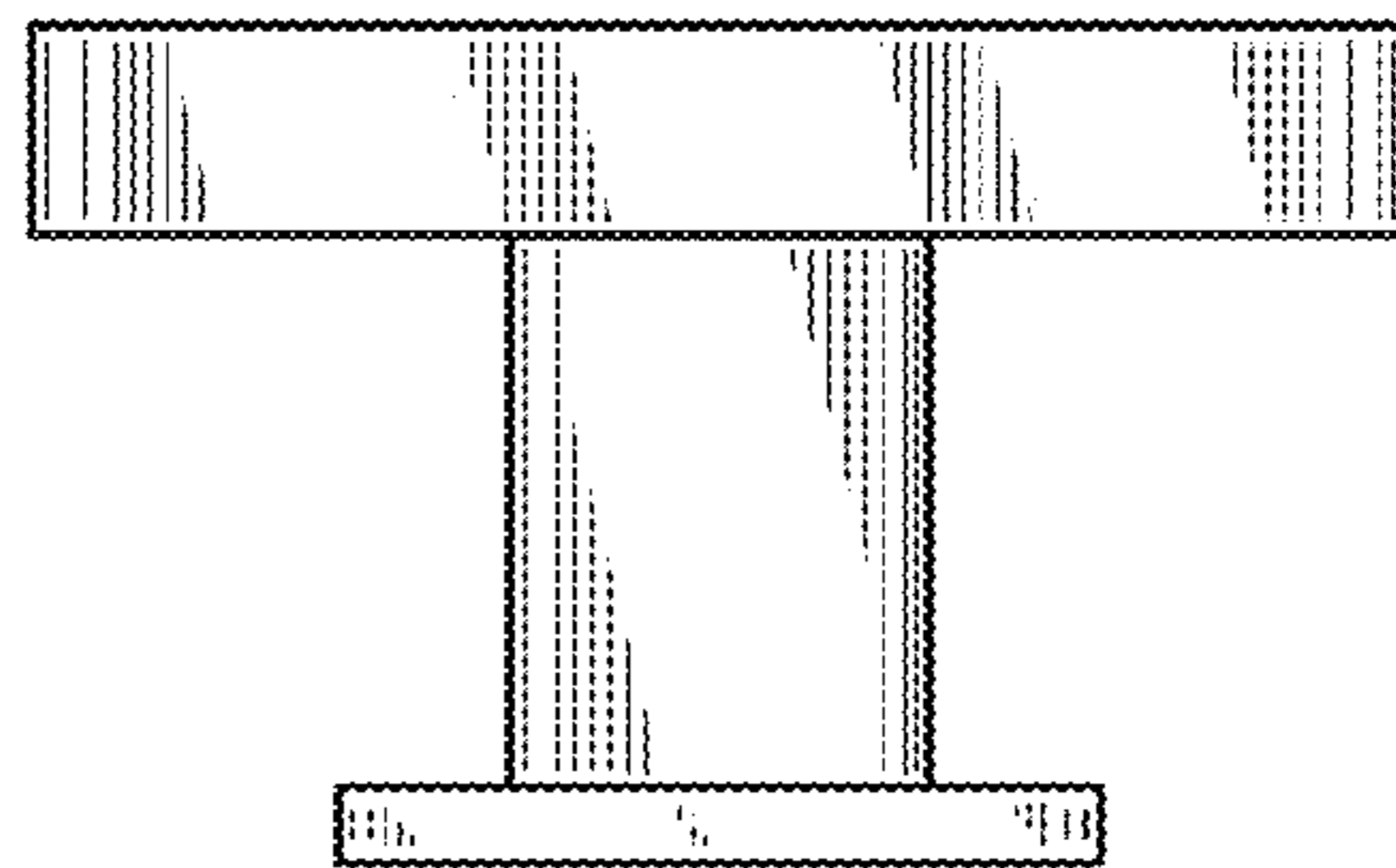


FIG. 6