

US00D742574S

(12) **United States Design Patent**  
**Bembridge et al.**

(10) **Patent No.:** **US D742,574 S**

(45) **Date of Patent:** **\*\* Nov. 3, 2015**

(54) **LED ROAD LUMINAIRE**

(56) **References Cited**

(71) Applicant: **KONINKLIJKE PHILIPS N.V.**,  
Eindhoven (NL)  
  
(72) Inventors: **Mathew Lee Bembridge**, Rotterdam  
(NL); **Jacek Wasyluk**, Gizycko (PL);  
**Aeneas Johannes Fletterman**,  
Eindhoven (NL)  
  
(73) Assignee: **KONINKLIJKE PHILIPS N.V.**,  
Eindhoven (NL)

U.S. PATENT DOCUMENTS

D209,081	S	*	10/1967	Netland	.....	D26/71
D220,778	S	*	5/1971	Jablonski	.....	D26/71
D637,336	S	*	5/2011	Van Klinken et al.	.....	D26/71
D645,190	S	*	9/2011	Van Klinken et al.	.....	D26/71
8,287,150	B2	*	10/2012	Schaefer et al.	.....	362/249.02
D672,491	S	*	12/2012	Shin et al.	.....	D26/71
D675,768	S	*	2/2013	Jurdana et al.	.....	D26/71
D676,589	S	*	2/2013	Elam	.....	D26/71
8,517,575	B2	*	8/2013	Arai	.....	362/373
D694,935	S	*	12/2013	Zheng et al.	.....	D26/71
8,641,234	B2	*	2/2014	Dube et al.	.....	362/249.07
D709,635	S	*	7/2014	Coulbeaut	.....	D26/71
8,915,616	B2	*	12/2014	Jeon et al.	.....	362/294
D726,947	S	*	4/2015	Boyer et al.	.....	D26/71
9,052,073	B2	*	6/2015	Wang et al.	.....	1/1

(\*\*) Term: **14 Years**

\* cited by examiner

(21) Appl. No.: **29/503,171**

*Primary Examiner* — Clare E Heflin

(22) Filed: **Sep. 24, 2014**

(30) **Foreign Application Priority Data**

(57) **CLAIM**

The ornamental design for a LED road luminaire, as shown.

Mar. 26, 2014 (EM) ..... 002432823-0002

**DESCRIPTION**

(51) **LOC (10) Cl.** ..... **26-05**

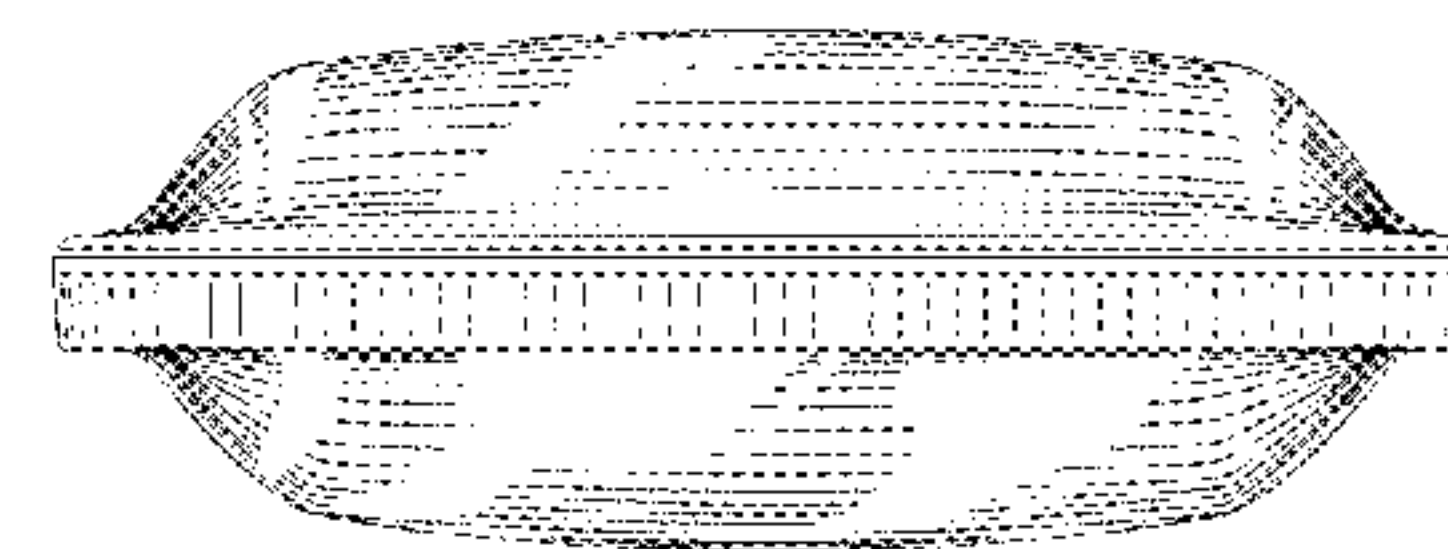
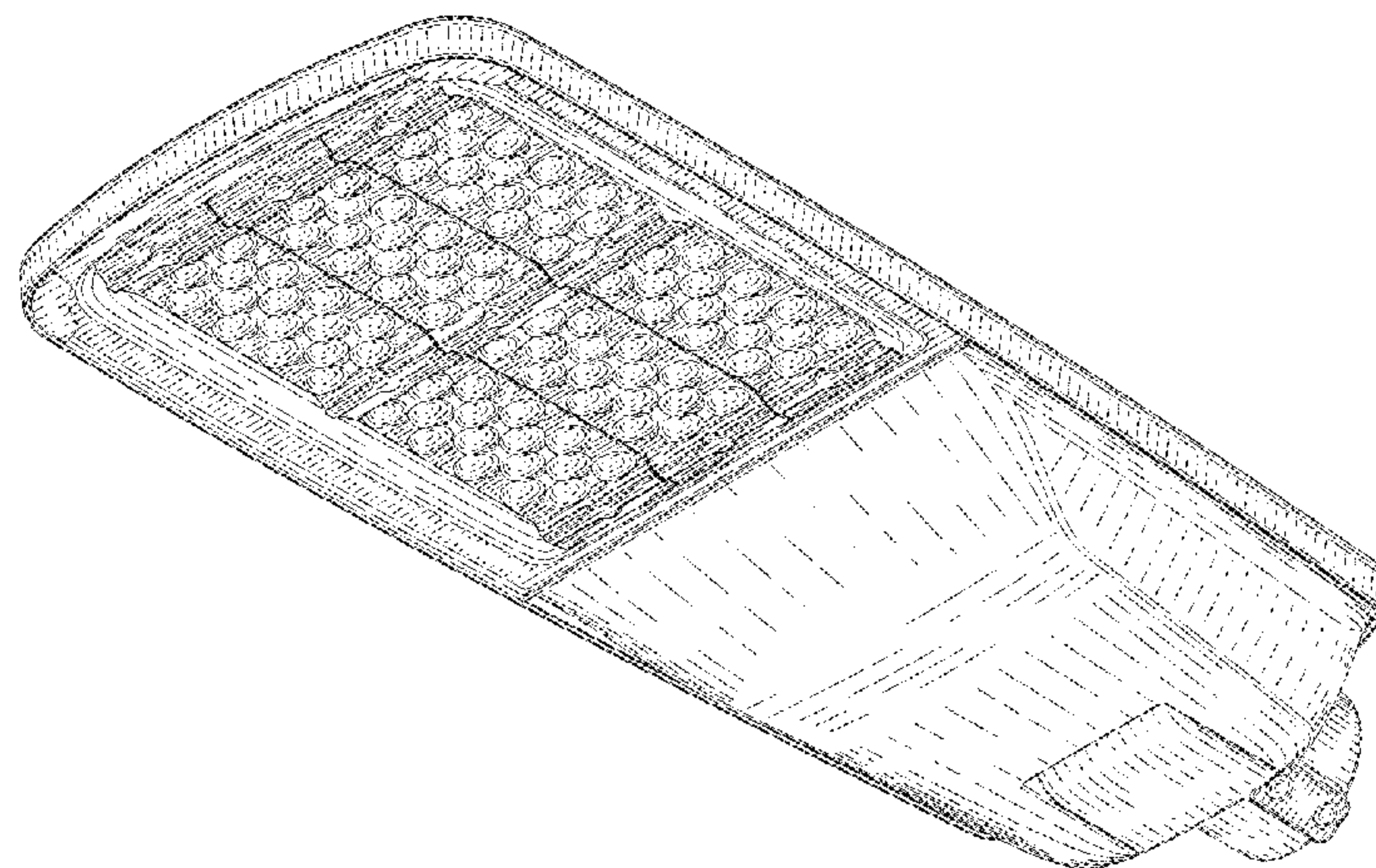
(52) **U.S. Cl.**  
USPC ..... **D26/71**

(58) **Field of Classification Search**  
USPC ..... D26/67-72, 92  
CPC ..... F21S 8/08; F21S 8/085; F21S 8/086;  
F21S 8/088; F21V 21/13

FIG. 1 is a perspective view showing my design;  
FIG. 2 is a front elevational view thereof;  
FIG. 3 is a rear elevational view thereof;  
FIG. 4 is a right side elevational view thereof;  
FIG. 5 is a left side elevational view thereof;  
FIG. 6 is a top plan view thereof; and,  
FIG. 7 is a bottom plan view thereof.

See application file for complete search history.

**1 Claim, 5 Drawing Sheets**



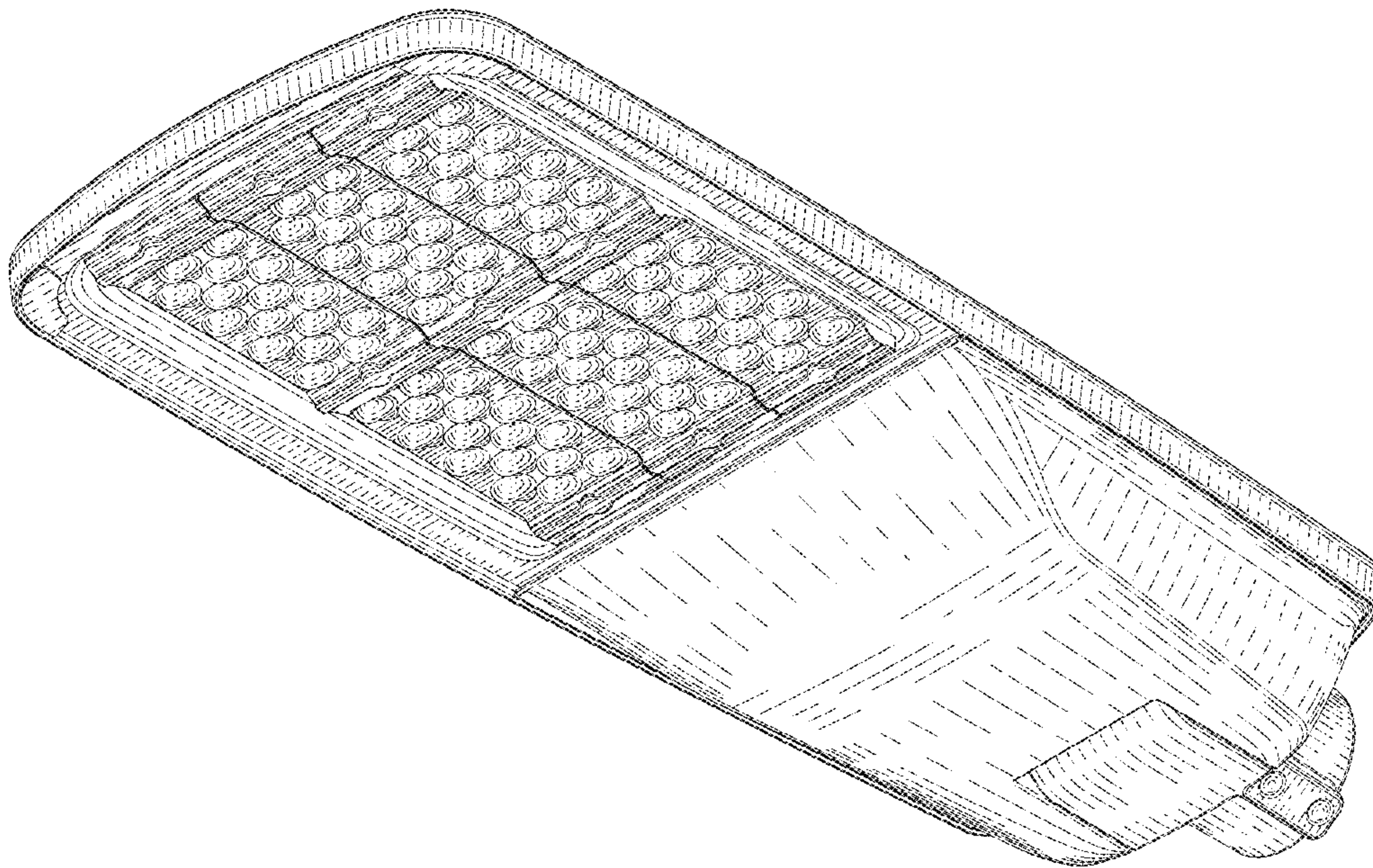


FIG. 1

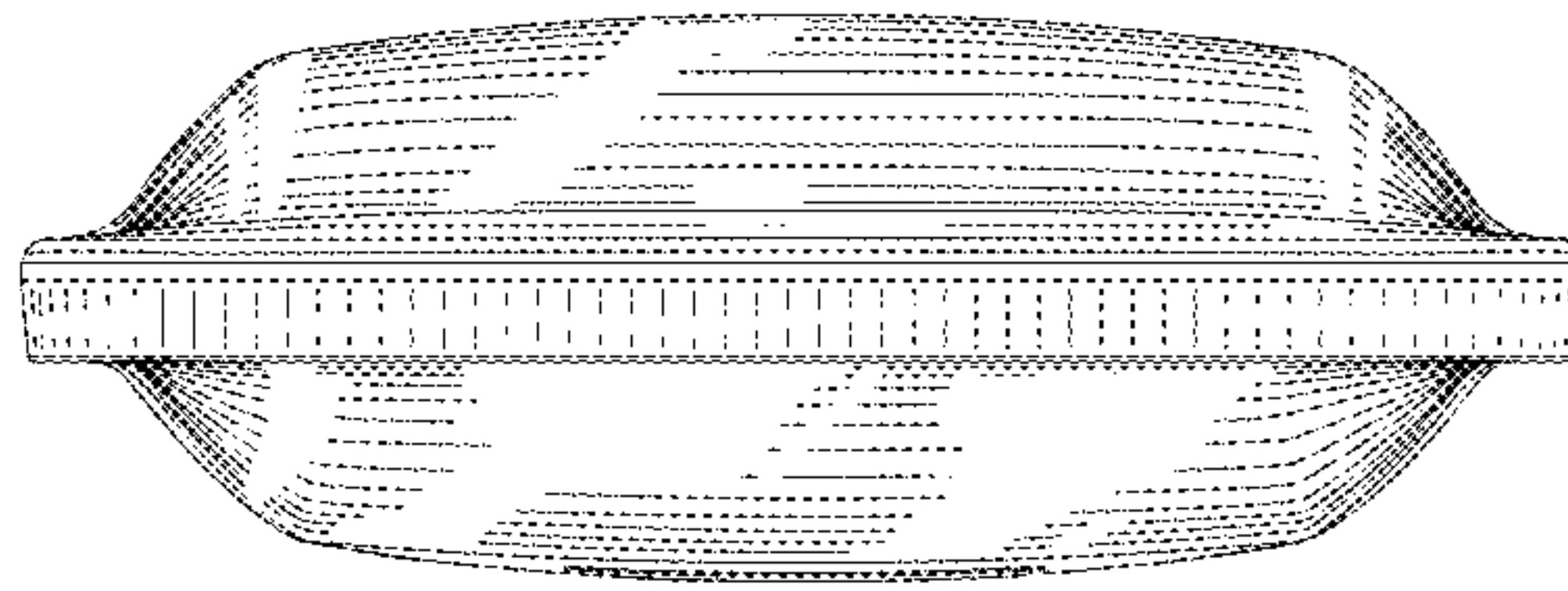


FIG. 2

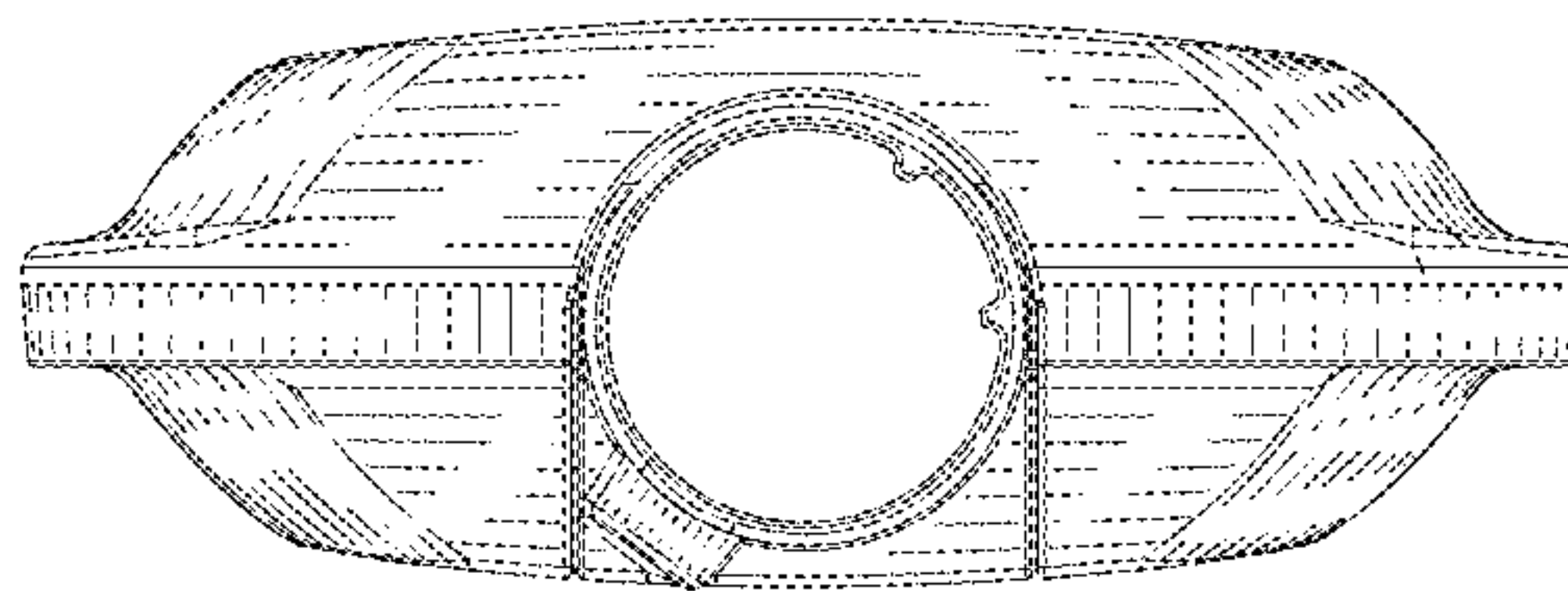


FIG. 3



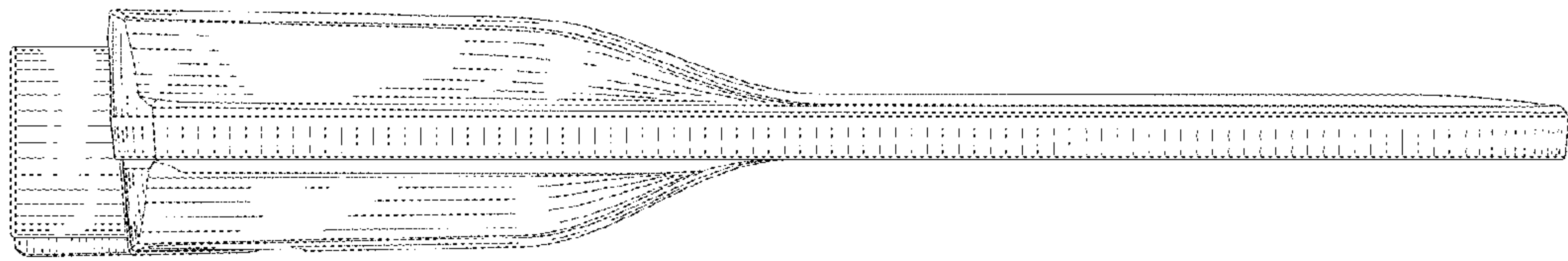


FIG. 4

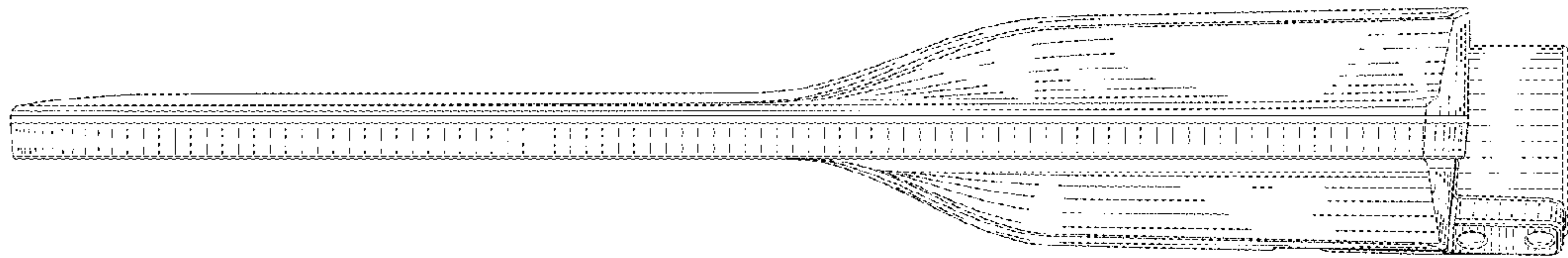


FIG. 5

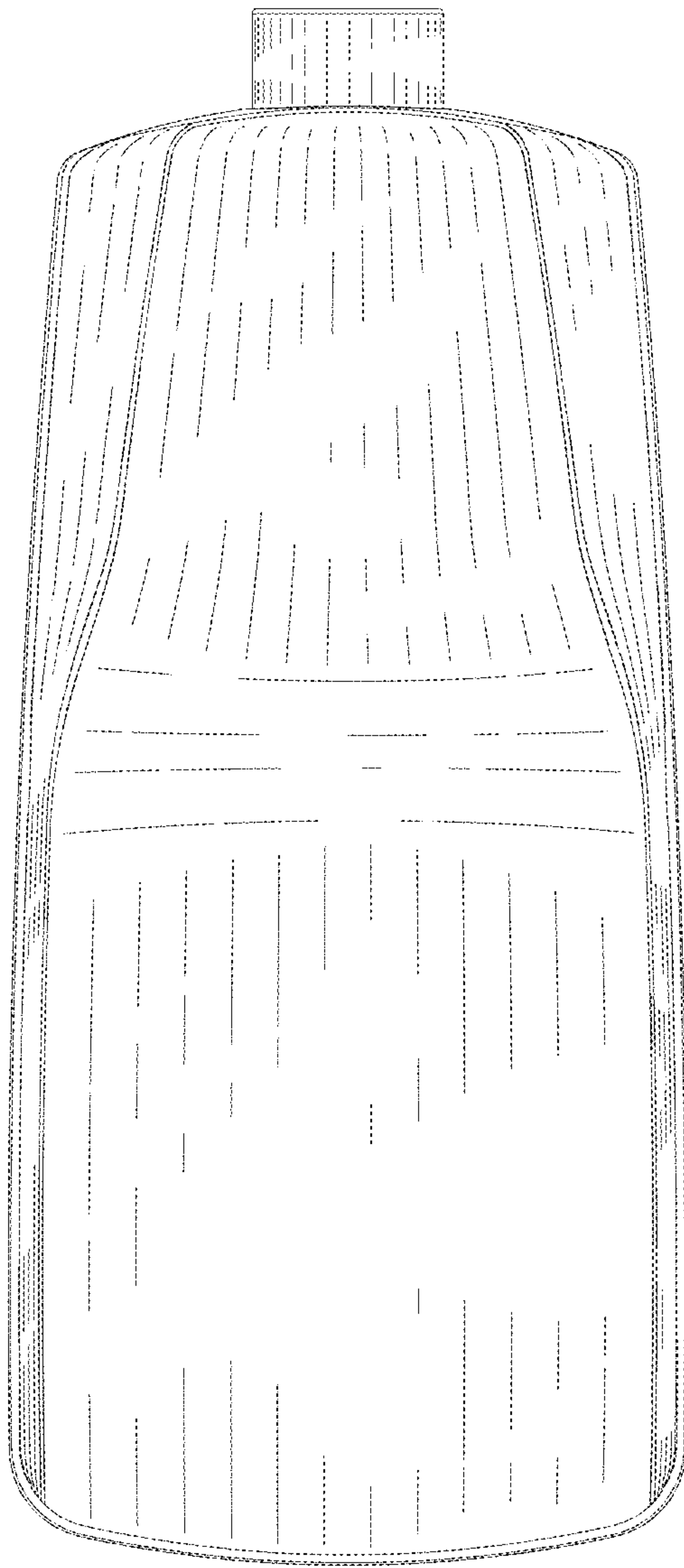


FIG. 6

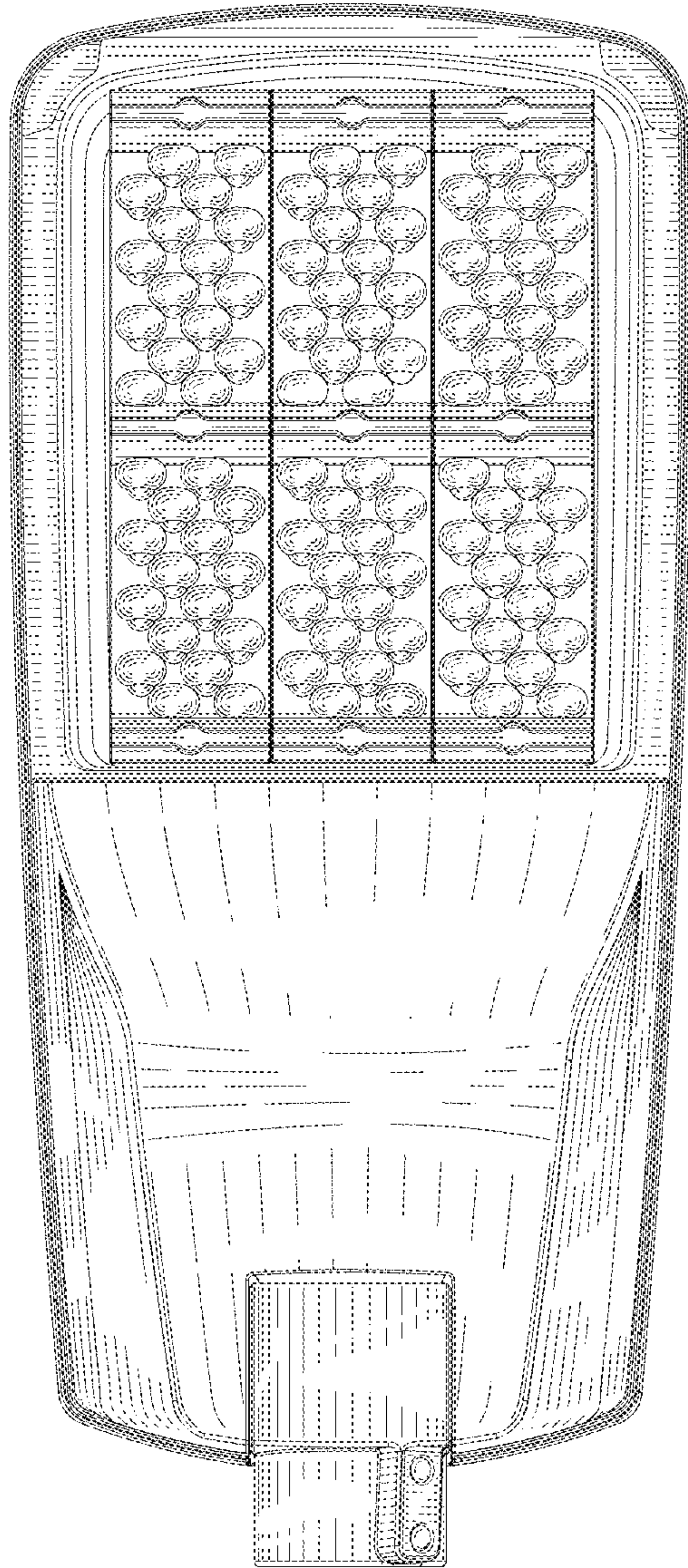


FIG. 7