



US00D742573S

(12) **United States Design Patent**  
**Kern et al.**

(10) **Patent No.:** **US D742,573 S**  
(45) **Date of Patent:** **\*\* Nov. 3, 2015**

(54) **LAMP**

D509,013 S 8/2005 Opolka  
D595,009 S 6/2009 Osgerby et al.  
D600,386 S \* 9/2009 Huang ..... D26/63

(71) Applicant: **Target Brands, Inc.**, Minneapolis, MN  
(US)

(72) Inventors: **Elizabeth C. Kern**, Minneapolis, MN  
(US); **Joseph P. Foley**, St. Paul, MN  
(US); **Joel T. Bodkin**, Minneapolis, MN  
(US); **Kent D. Katterheinrich**,  
Shoreview, MN (US)

(73) Assignee: **Target Brands, Inc.**, Minneapolis, MN  
(US)

(\*\*) Term: **14 Years**

(21) Appl. No.: **29/479,859**

(22) Filed: **Jan. 21, 2014**

(51) **LOC (10) Cl.** ..... **26-03**

(52) **U.S. Cl.**  
USPC ..... **D26/65; D26/107; D26/108**

(58) **Field of Classification Search**  
USPC ..... D26/24, 61, 63, 65, 107, 108  
CPC ..... F21V 21/14; F21V 15/01; F21V 14/02;  
F21V 21/30; F21V 21/00; F21V 14/00;  
F21V 1/00; F21V 21/116; F21V 21/34;  
F21S 8/00; F21S 8/003; F21S 8/043; F21S  
6/00; F21S 6/002; F21S 8/08; F21Y  
2105/001; F21W 2131/30  
See application file for complete search history.

(56) **References Cited**

**U.S. PATENT DOCUMENTS**

D115,340 S 6/1939 Rosenthal  
D178,415 S \* 7/1956 Mugnai ..... D26/63  
D367,722 S \* 3/1996 Yuen ..... D26/63  
D391,665 S \* 3/1998 Yang ..... D26/108  
D409,322 S 5/1999 Yang  
D480,827 S \* 10/2003 Hsieh ..... D26/108

**OTHER PUBLICATIONS**

Wayfair, "Cal Lighting Pharmacy Floor Lamp with Adjustable Pole,"  
<http://www.wayfair.com/Cal-Lighting-Pharmacy-Floor-Lamp-with-Adjustable-Pole-in-Dark-Bronze-BO-2032FL-DB-CG1124.html>, at least as early as Jun. 2013, 1 page.  
Wayfair, "Cal Lighting Adjustable Pharmacy Table Lamp," <http://www.wayfair.com/Cal-Lighting-Adjustable-Pharmacy-Table-Lamp-with-Adjustable-Pole-in-Dark-Bronze-BO-2032TB-DB-CG1128.html>, at least as early as Jun. 2013, 1 page.

(Continued)

*Primary Examiner* — Brian N Vinson

(74) *Attorney, Agent, or Firm* — Leanne Taveggia Farrell;  
Westman, Champlin & Koehler, P.A.

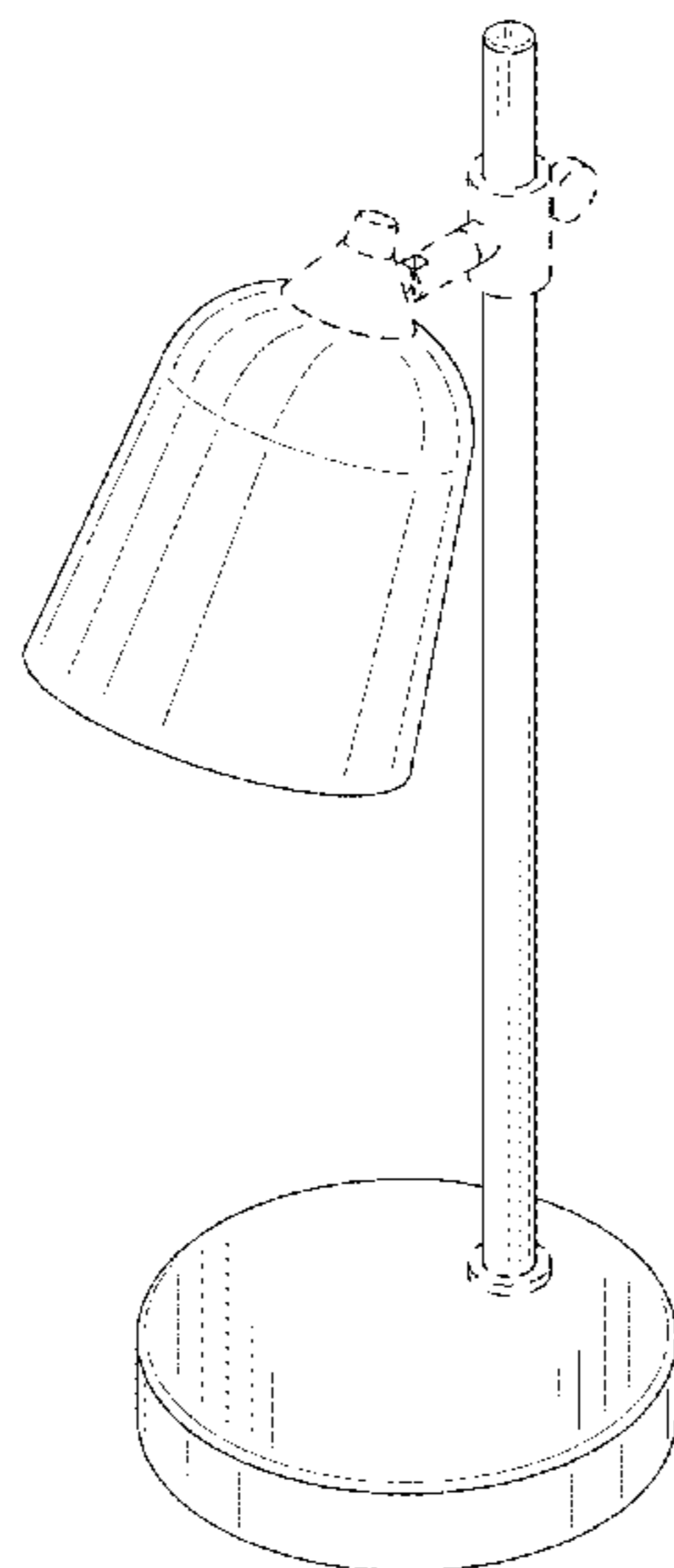
(57) **CLAIM**

The ornamental design for a lamp, as shown and described.

**DESCRIPTION**

FIG. 1 is a perspective view of a lamp showing our new design;  
FIG. 2 is a front view thereof;  
FIG. 3 is a back view thereof;  
FIG. 4 is a right side view thereof, the opposing left side view being a mirror image;  
FIG. 5 is a top view thereof;  
FIG. 6 is a perspective view of a second embodiment thereof;  
FIG. 7 is a front view of FIG. 6;  
FIG. 8 is a back view of FIG. 6;  
FIG. 9 is a right side view of FIG. 6, the opposing left side view being a mirror image; and,  
FIG. 10 is a top view of FIG. 6.  
The broken lines shown in the drawings are included for purposes of illustrating portions of the lamp and form no part of the claimed design.

**1 Claim, 5 Drawing Sheets**



(56)

**References Cited**

OTHER PUBLICATIONS

Design Within Reach, "Hector Table Lamp," <http://www.dwr.com/product/hector-table-lamp.do>, at least as early as Jun. 2013, 1 page.  
Style Illuminated, "Adjustable Magnetic Arm LED Desk Lamp," <http://www.lampsplus.com/info-center/b/blog/archive/2010/08/30/track-lighting-technology-on-the-desk.aspx>, at least as early as Jun. 2013, 1 page.

Etsy, "Vintage Pink Adjustable Pole Desk Lamp," <http://www.etsy.com/listing/75687536/vintage-pink-adjustable-pole-desk-lamp>, at least as early as Jun. 2013, 1 page.

Houzz, "Contemporary Arteriors Home Watson Adjustable Desk Lamp," <http://www.houzz.com/photos/3779179/Contemporary-Arteriors-Home-Watson-Adjustable-Desk-Lamp-contemporary-table-lamps->, at least as early as Jun. 2013, 1 page.

\* cited by examiner

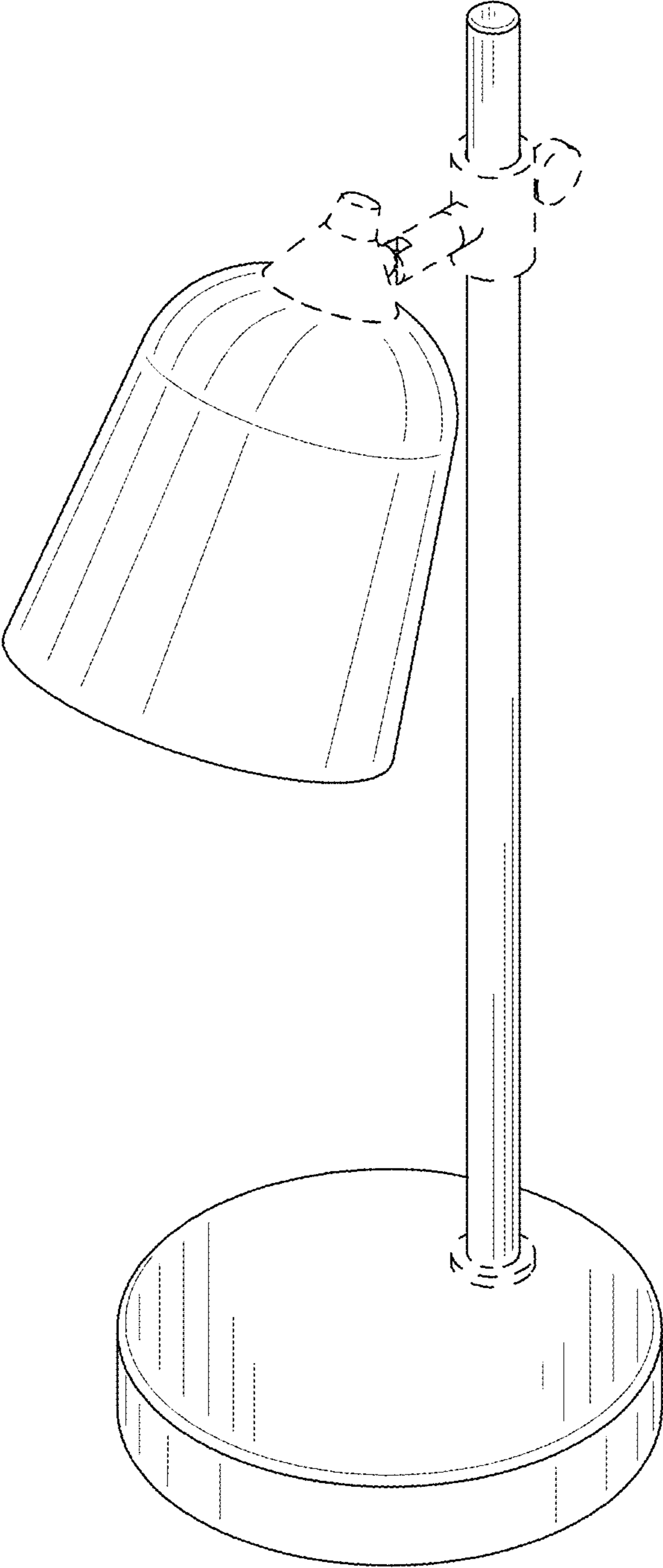


Fig. 1

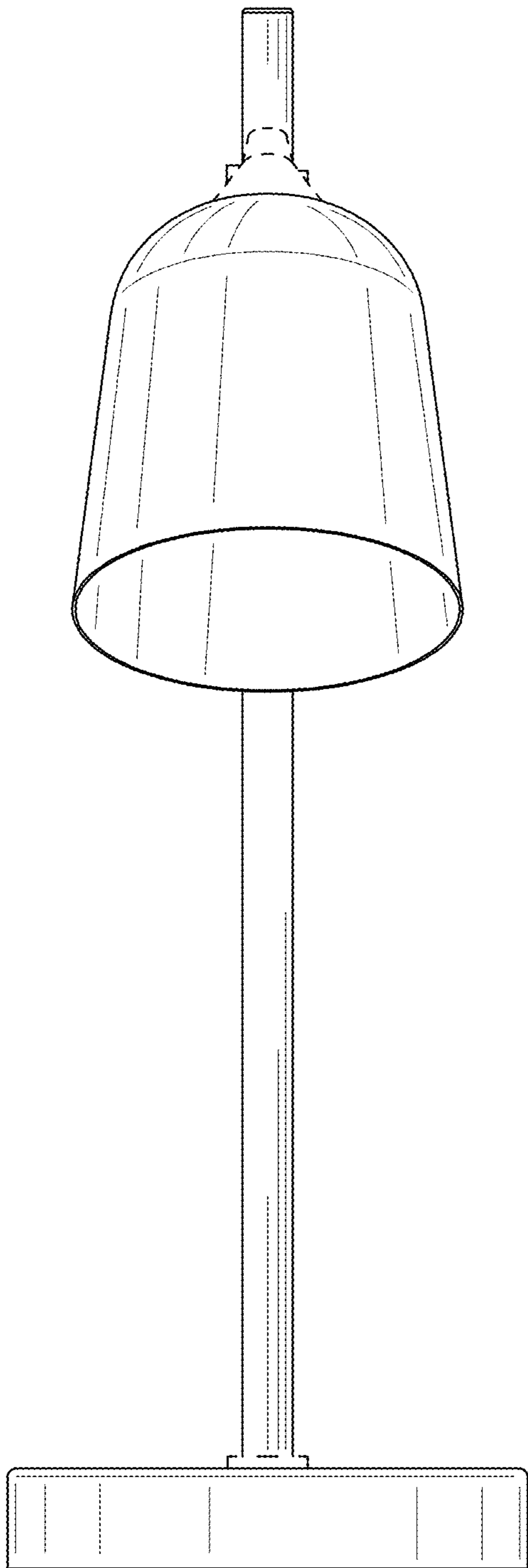


Fig. 2

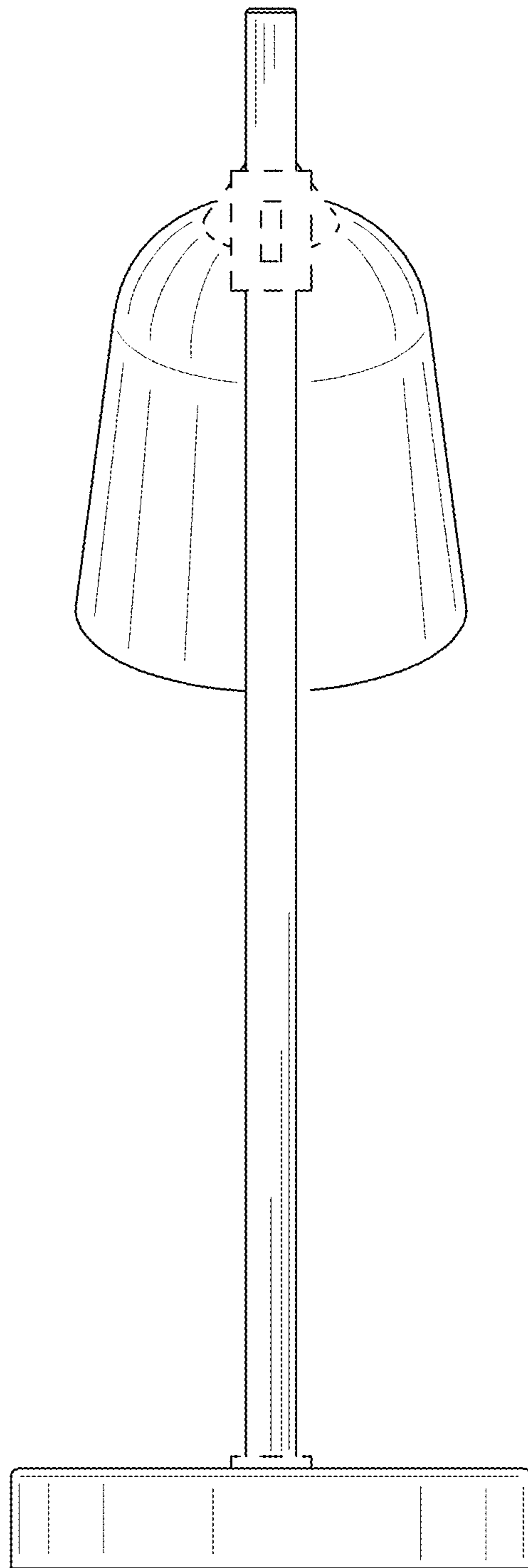


Fig. 3

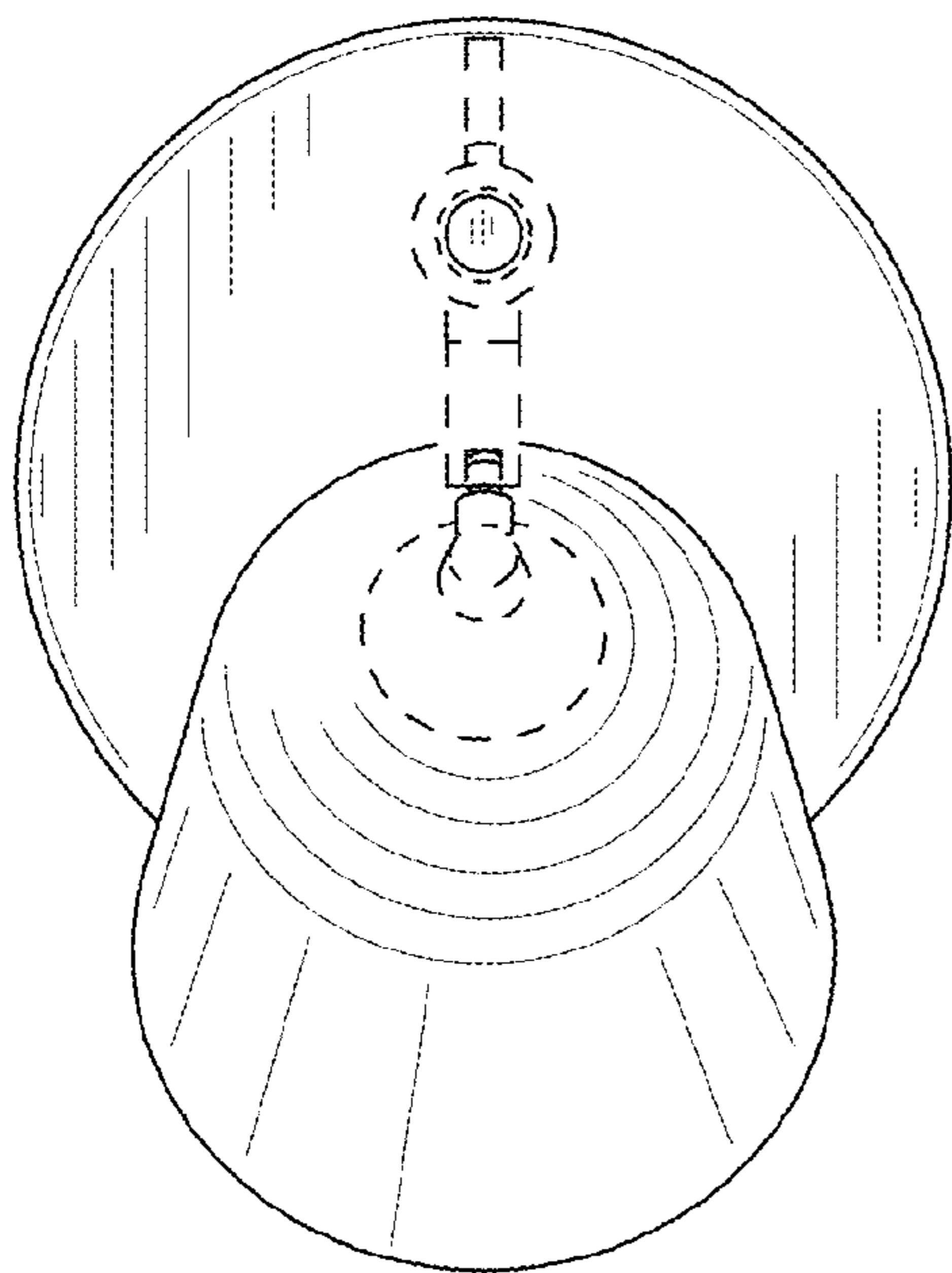


Fig. 5

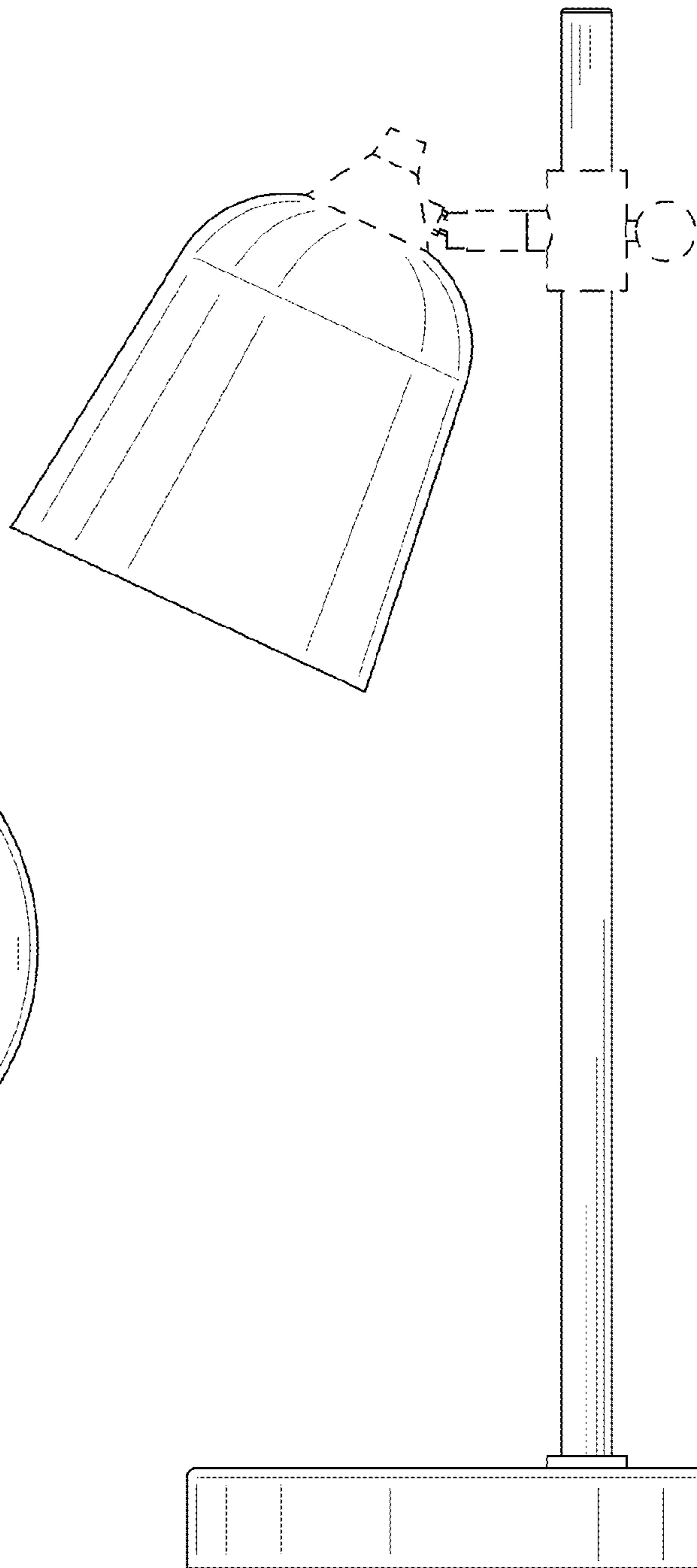


Fig. 4

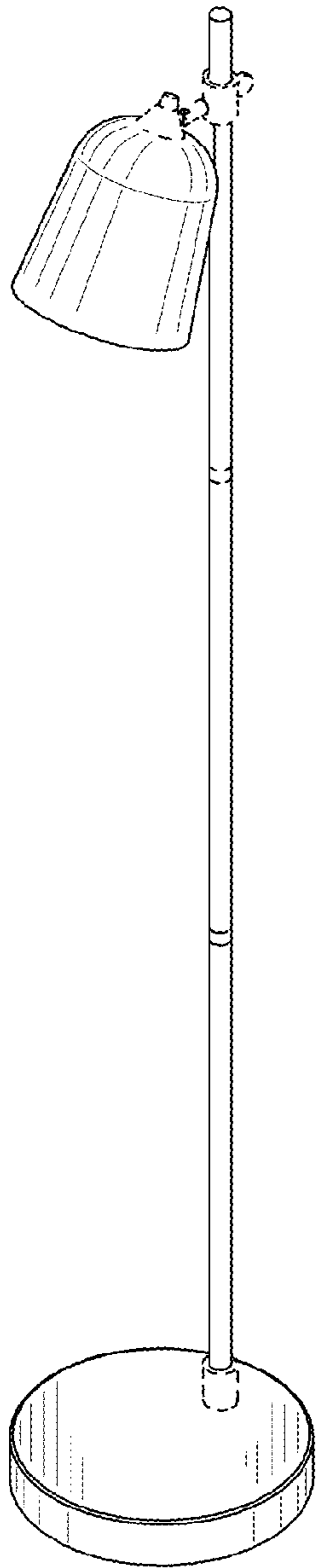


Fig. 6

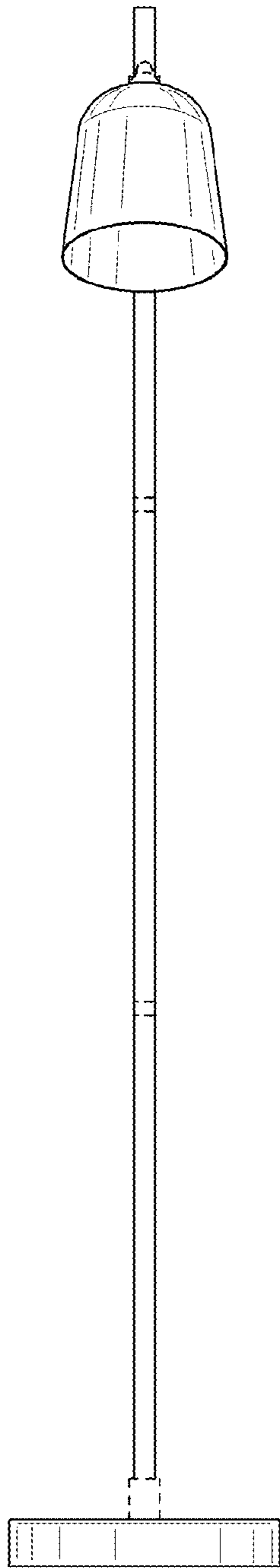


Fig. 7

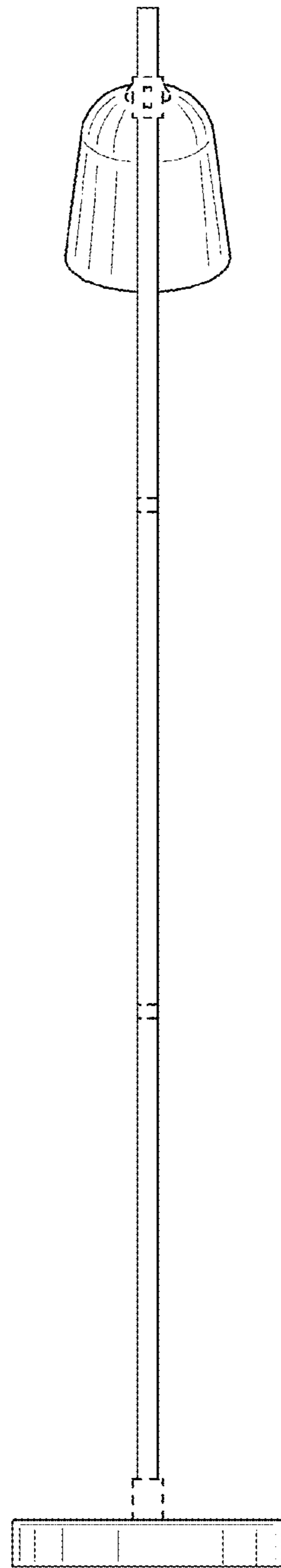


Fig. 8



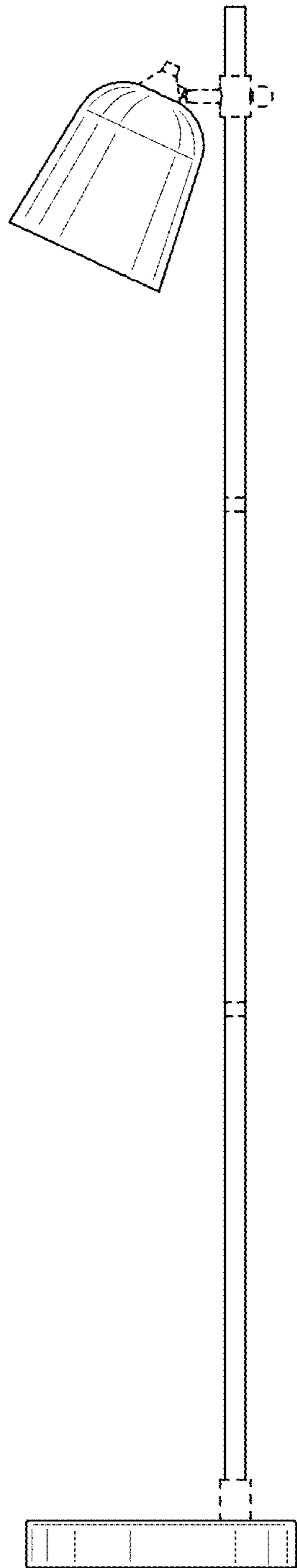


Fig. 9

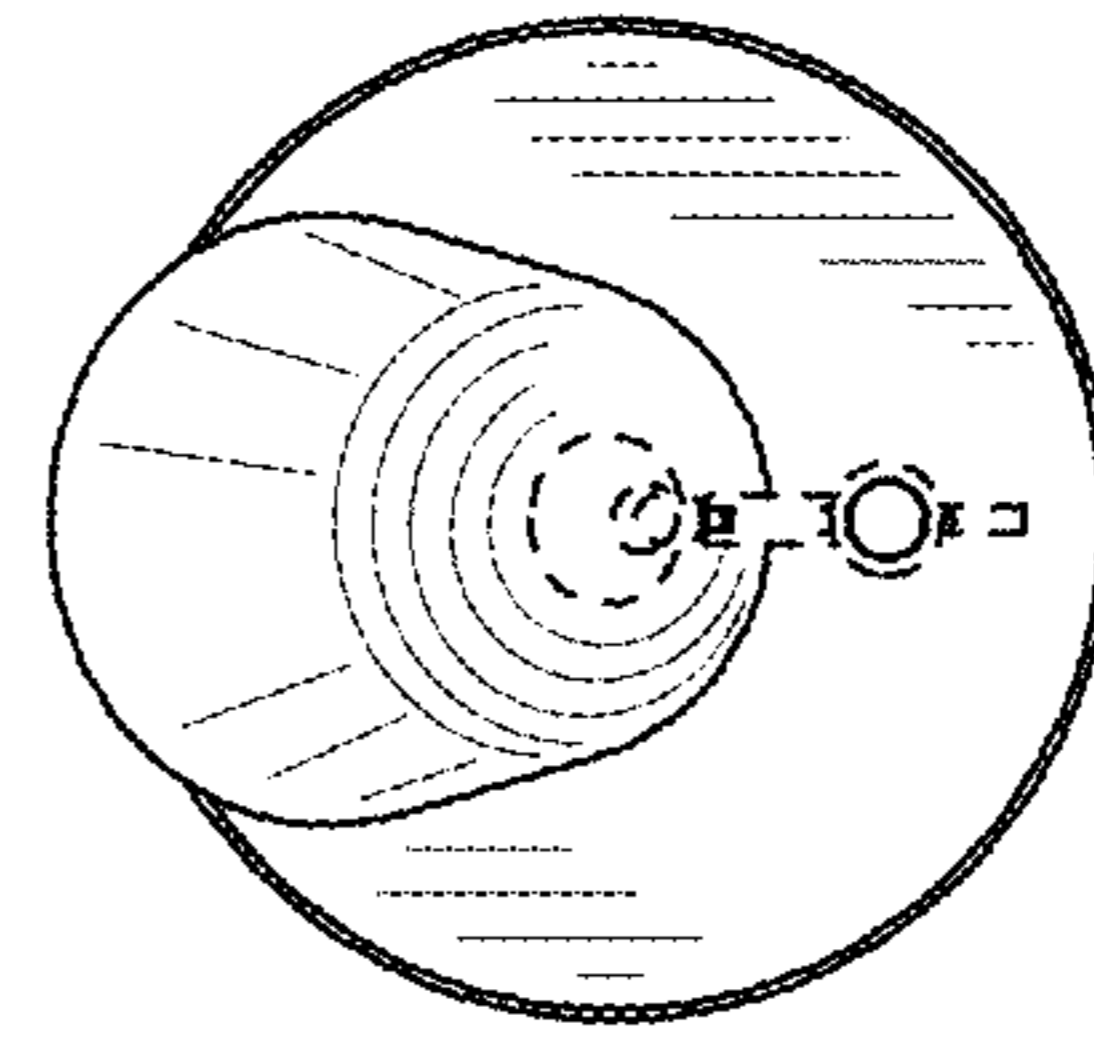


Fig. 10