



US00D742570S

(12) **United States Design Patent**
Brown et al.

(10) **Patent No.:** **US D742,570 S**
(45) **Date of Patent:** **** Nov. 3, 2015**

(54) **LIGHTING DEVICE**

(71) Applicant: **Energizer Brands, LLC**, St. Louis, MO (US)

(72) Inventors: **John R. Brown**, Mosman (AU); **Samuel James Weise**, Maitland Vale (AU)

(73) Assignee: **Energizer Brands, LLC**, Saint Louis, MO (US)

(**) Term: **14 Years**

(21) Appl. No.: **29/486,519**

(22) Filed: **Mar. 31, 2014**

(51) **LOC (10) Cl.** **26-02**

(52) **U.S. Cl.**
USPC **D26/46**

(58) **Field of Classification Search**
USPC D26/37, 40, 41, 44, 46, 49; 362/157, 362/158, 183, 184, 194-196, 200-208
CPC F21V 33/00; F21V 14/025; F21V 21/406; F21Y 2101/02; F21L 2003/00; F21L 2005/00; F21L 2/00; F21L 4/00; F21L 4/005; F21L 17/00; F21L 13/08
See application file for complete search history.

(56) **References Cited**

U.S. PATENT DOCUMENTS

D445,926 S * 7/2001 Cheong D26/37
D466,636 S 12/2002 Chun

D491,301 S * 6/2004 Chen D26/37
D497,446 S 10/2004 Kingston et al.
D562,480 S 2/2008 Spartano et al.
D592,339 S * 5/2009 Crawford et al. D26/37
D610,727 S * 2/2010 Nyssen D26/46
D643,138 S * 8/2011 Kawase et al. D26/37
D668,803 S * 10/2012 Yang et al. D26/46
D687,995 S * 8/2013 Yeh D26/49
D689,227 S * 9/2013 Yeh D26/46
D698,959 S * 2/2014 Shen D26/46
D713,079 S * 9/2014 Zhenmei et al. D26/46

* cited by examiner

Primary Examiner — Ian Simmons

Assistant Examiner — Carissa C Fitts

(74) *Attorney, Agent, or Firm* — McDonalds Hopkins LLC

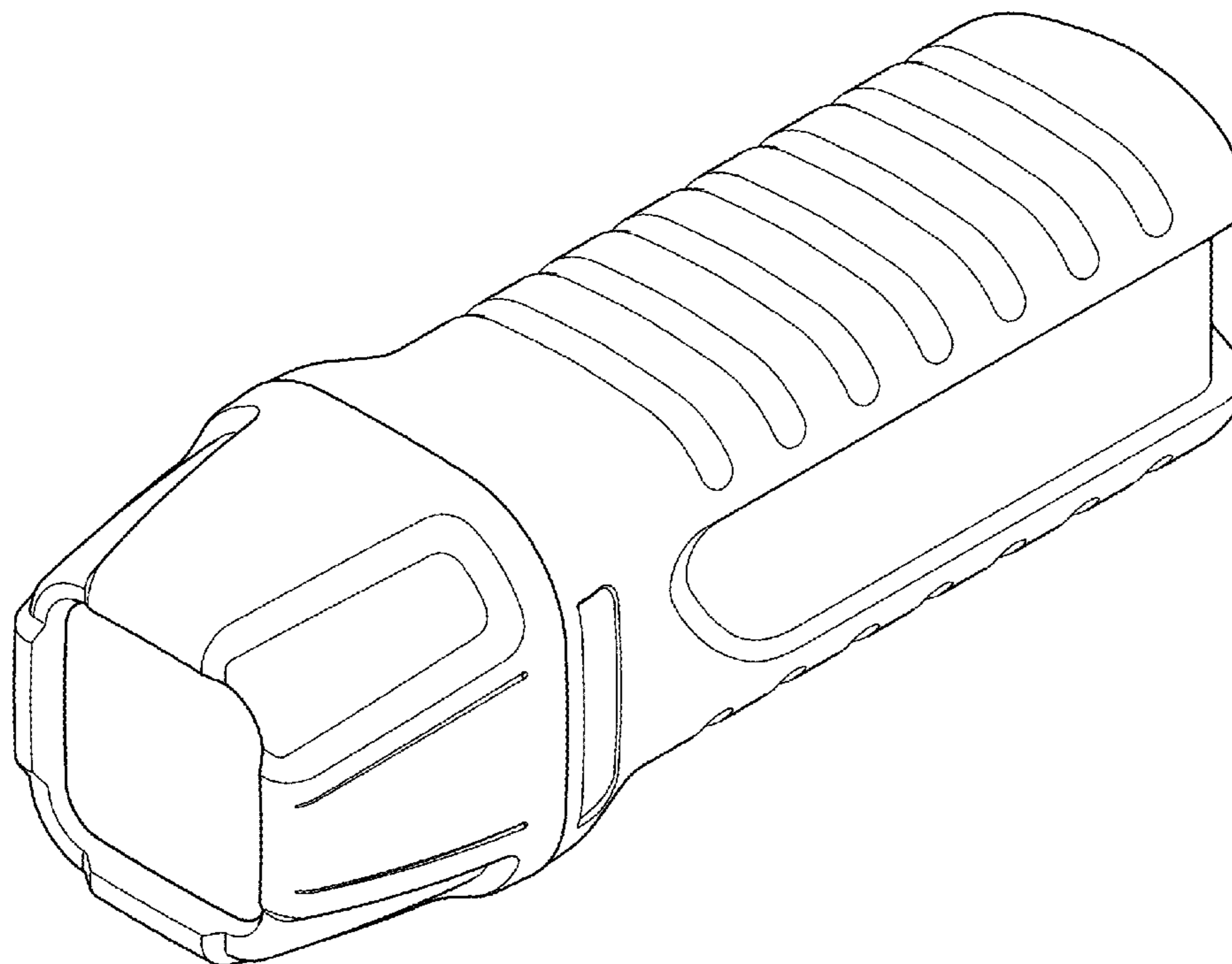
(57) **CLAIM**

We claim the ornamental design for a lighting device, as shown and described.

DESCRIPTION

FIG. 1 is a front perspective view of the design;
FIG. 2 is a rear perspective view of the design;
FIG. 3 is a right side view of the design;
FIG. 4 is a left side view of the design;
FIG. 5 is a top view of the design;
FIG. 6 is a bottom view of the design;
FIG. 7 is a front view of the design; and,
FIG. 8 is a back view of the design.

1 Claim, 4 Drawing Sheets



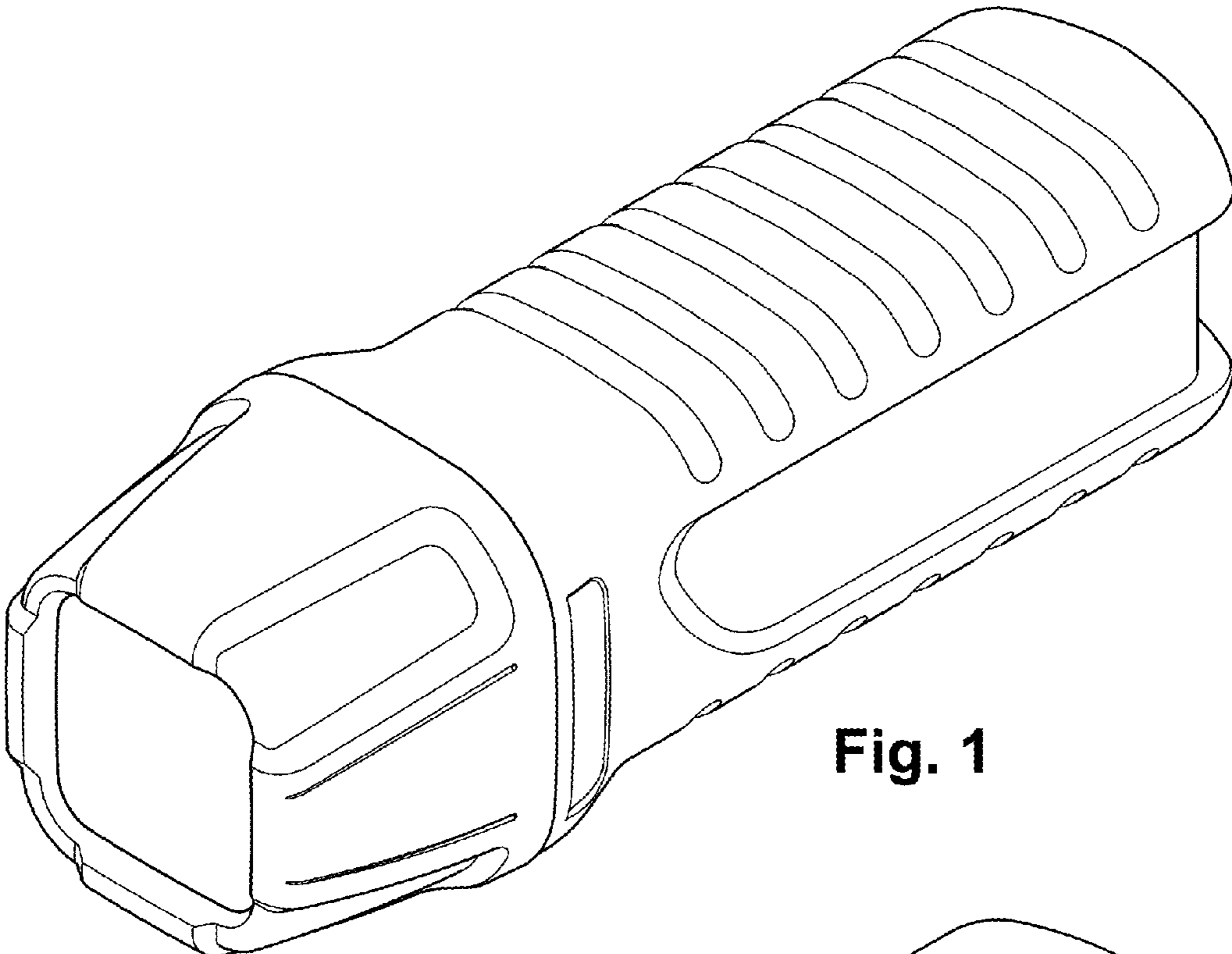


Fig. 1

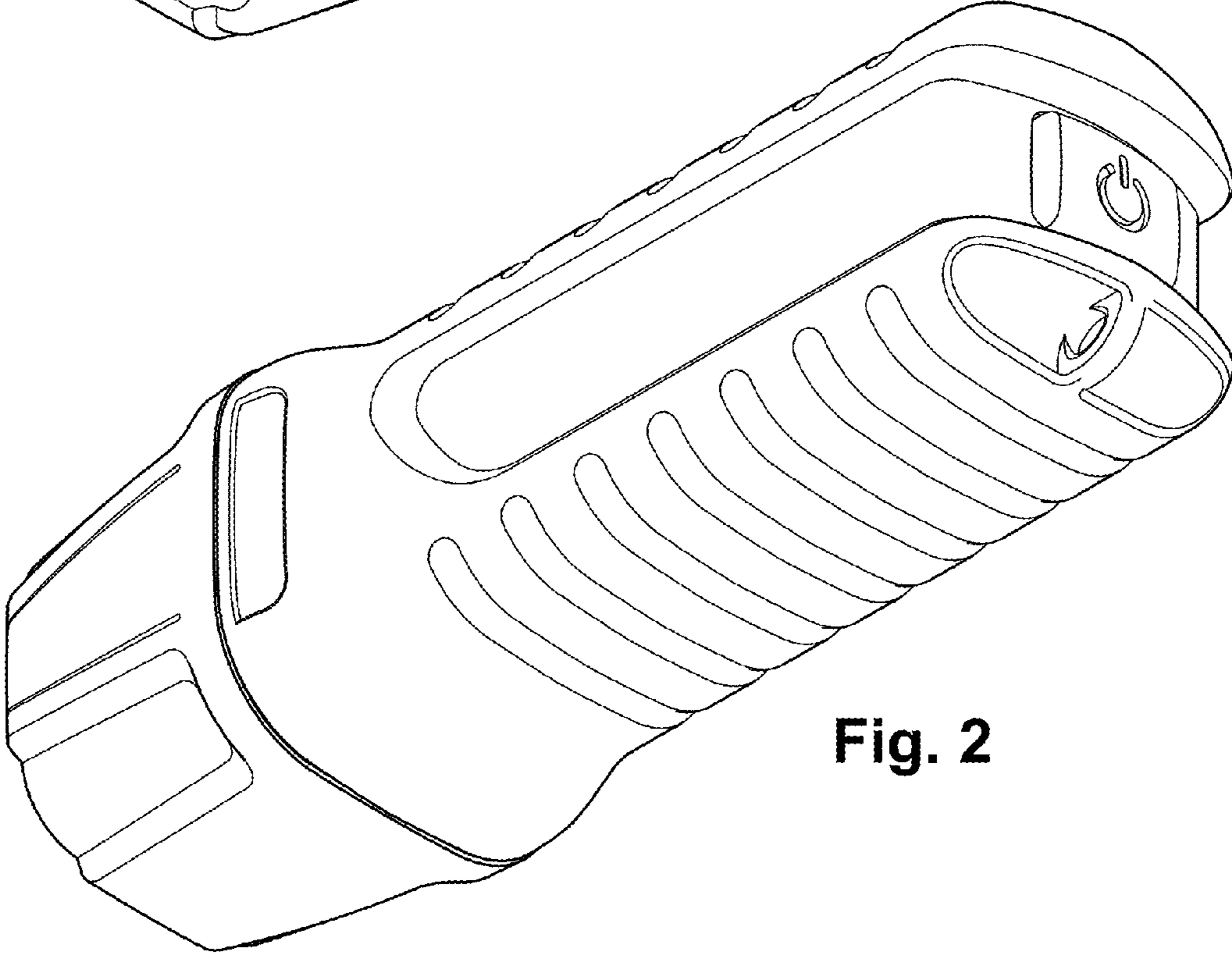


Fig. 2

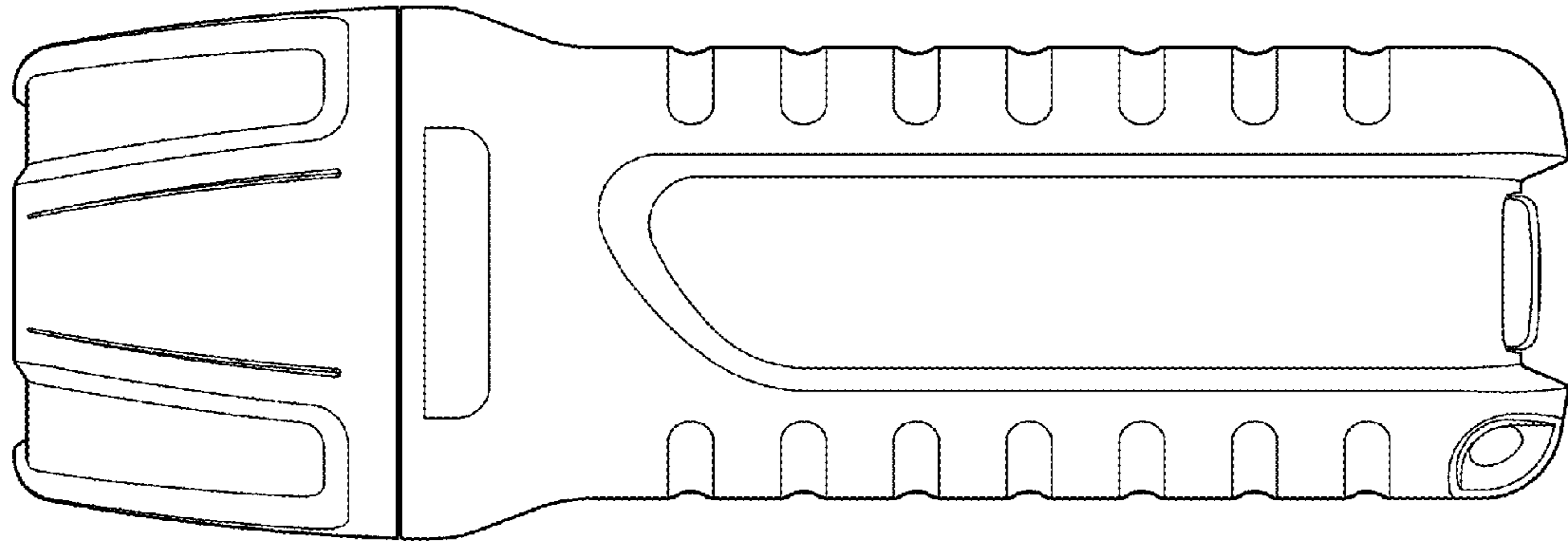


Fig. 3

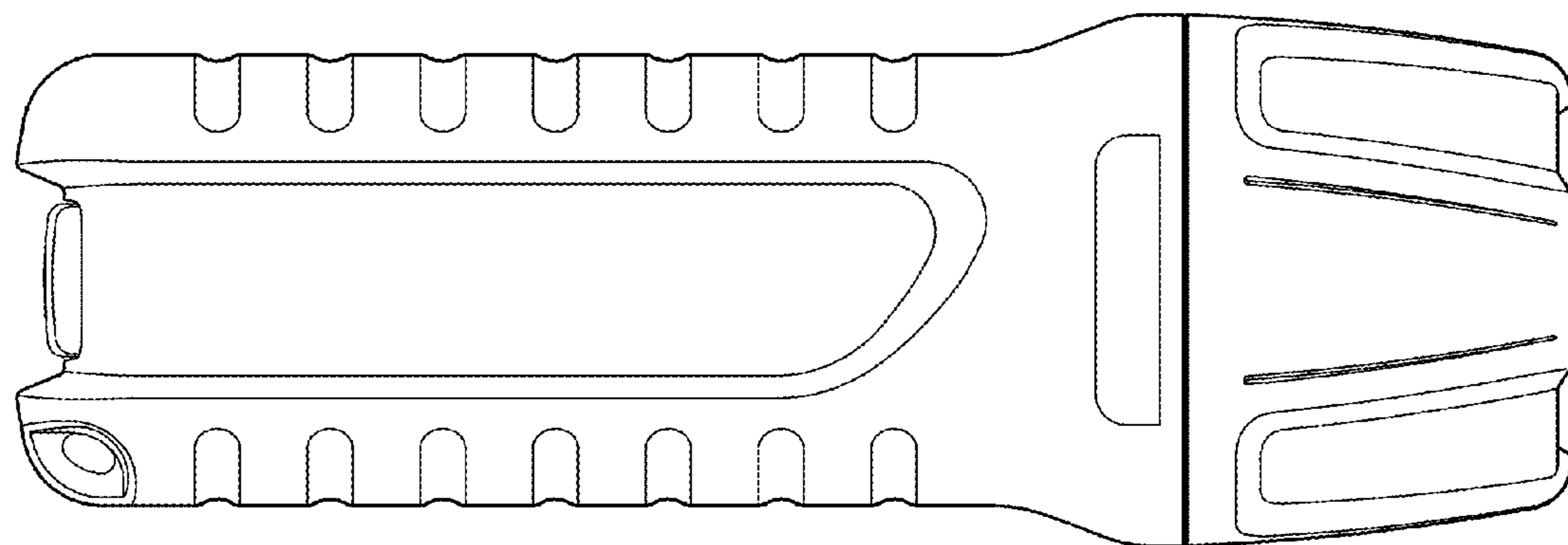


Fig. 4

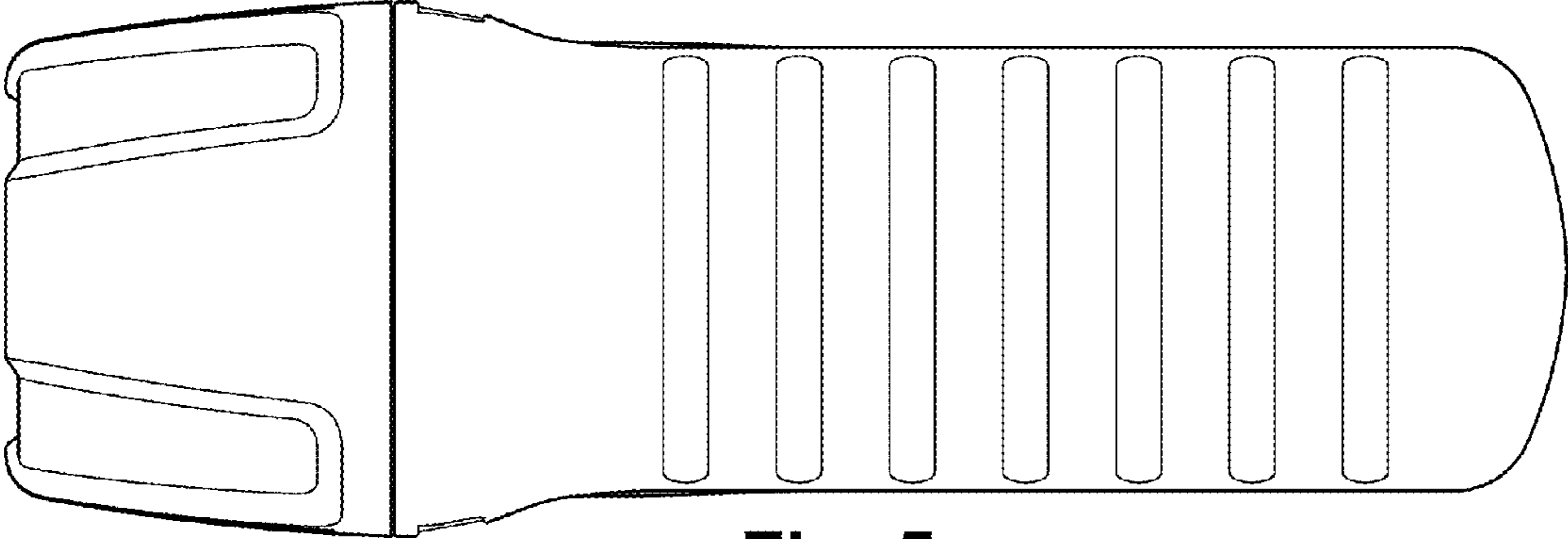


Fig. 5

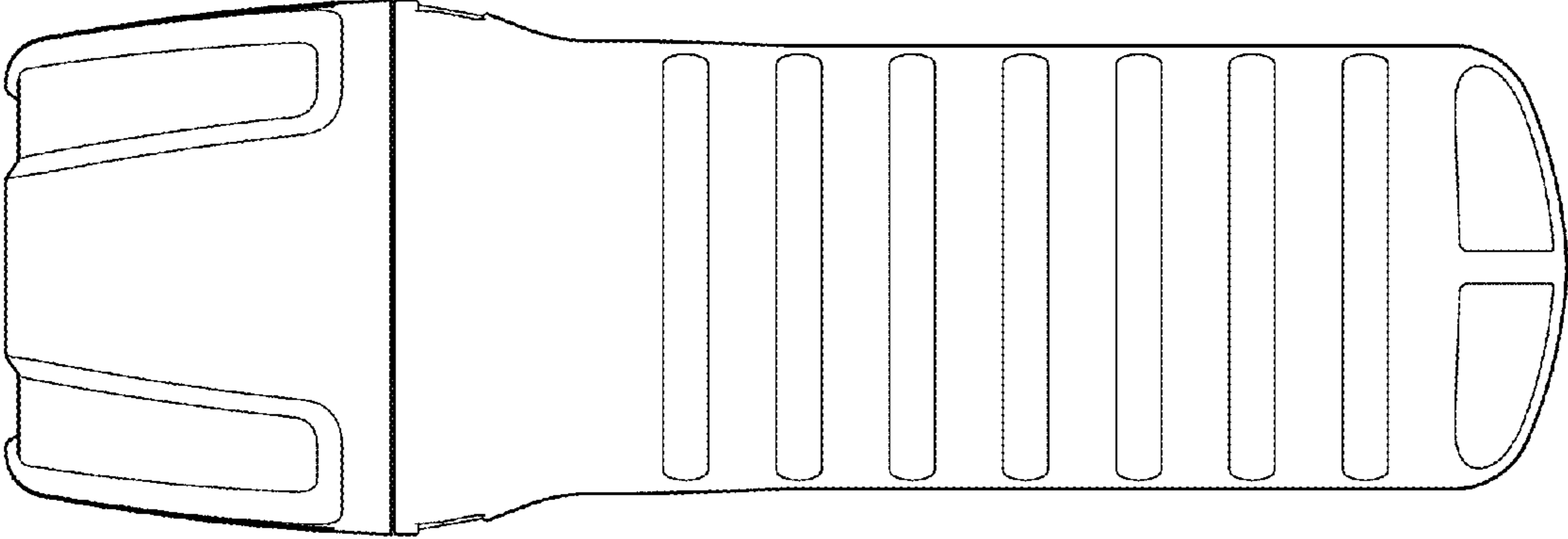


Fig. 6

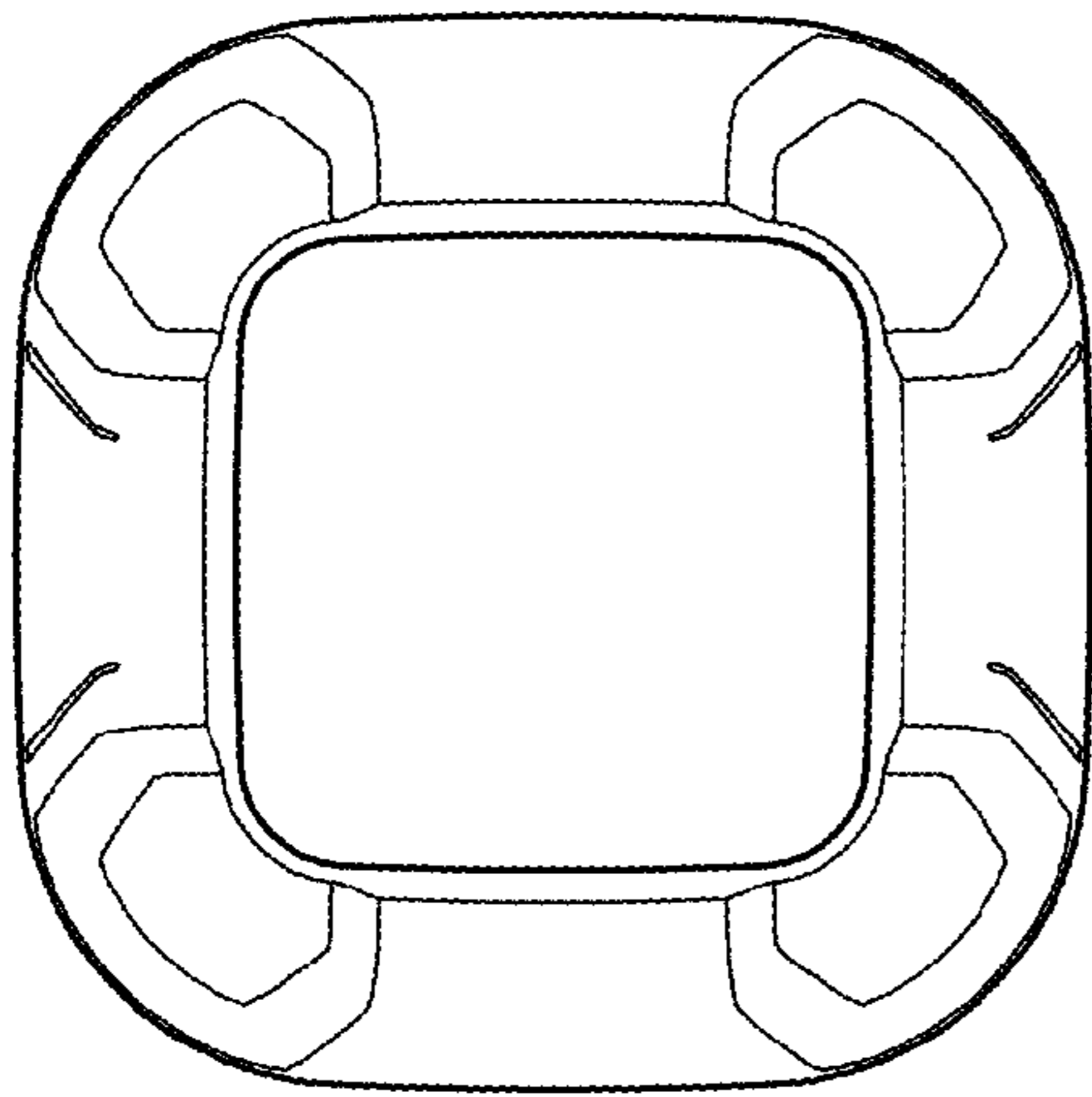


Fig. 7

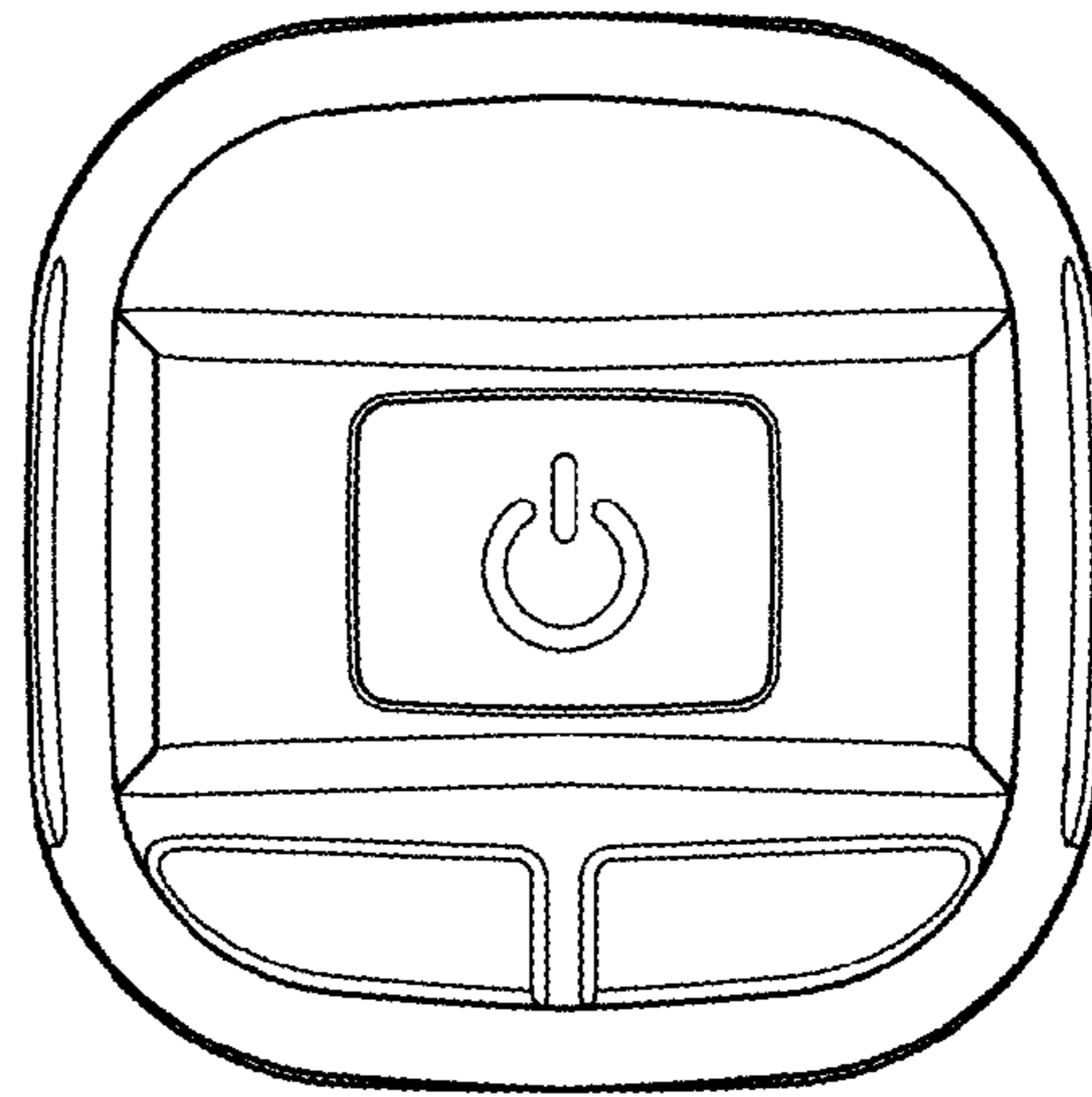


Fig. 8