



US00D742569S

(12) **United States Design Patent**  
**Dorman**

(10) **Patent No.:** **US D742,569 S**  
(45) **Date of Patent:** **\*\* Nov. 3, 2015**

- (54) **INSPECTION LIGHT**
- (71) Applicant: **Milwaukee Electric Tool Corporation,**  
Brookfield, WI (US)
- (72) Inventor: **Justin D. Dorman,** Wauwatosa, WI (US)
- (73) Assignee: **Milwaukee Electric Tool Corporation,**  
Brookfield, WI (US)
- (\*\*) Term: **14 Years**
- (21) Appl. No.: **29/483,244**
- (22) Filed: **Feb. 26, 2014**
- (51) **LOC (10) Cl.** ..... **26-02**
- (52) **U.S. Cl.**  
USPC ..... **D26/45; D26/42**
- (58) **Field of Classification Search**  
USPC ..... D26/37, 42, 45, 49, 38; 362/157, 158,  
362/183, 184, 194-196, 200-208, 253  
CPC ..... F21V 33/00; F21V 14/025; F21V 21/406;  
F21Y 2101/02; F21L 17/00; F21L 13/08  
See application file for complete search history.

D643,560 S *	8/2011	Tompkin .....	D26/40
D647,653 S *	10/2011	Leen .....	D26/42
D684,283 S *	6/2013	Zhou et al. ....	D26/49
D687,582 S *	8/2013	Kawase et al. ....	D26/44
D708,376 S *	7/2014	Crowe et al. ....	D26/37
2006/0120090 A1 *	6/2006	Wikle et al. ....	362/396

**OTHER PUBLICATIONS**

Fox Fury Lighting Solutions, "Nomad 360 Portable Scene Light"  
<[http://www.foxfury.com/catalog/product\\_info.php?products\\_id=194](http://www.foxfury.com/catalog/product_info.php?products_id=194)> webpage available as early as Jul. 28, 2012.

\* cited by examiner

*Primary Examiner* — Ian Simmons

*Assistant Examiner* — Carissa C Fitts

(74) *Attorney, Agent, or Firm* — Michael Best & Friedrich LLP

(57) **CLAIM**

I claim the ornamental design for an inspection light, as shown and described.

**DESCRIPTION**

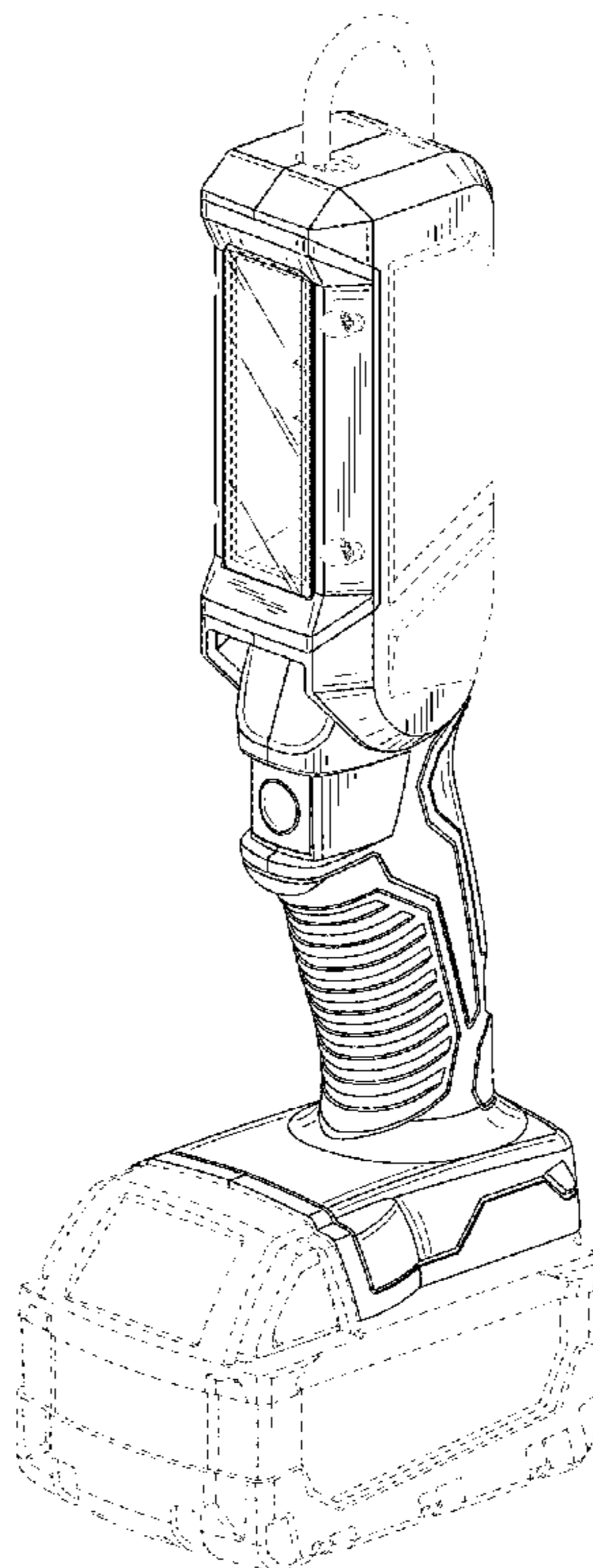
FIG. 1 is a front perspective view of an inspection light in accordance with the present invention  
FIG. 2 is a left side view of the inspection light of FIG. 1.  
FIG. 3 is a right side view of the inspection light of FIG. 1.  
FIG. 4 is a front view of the inspection light of FIG. 1.  
FIG. 5 is a rear view of the inspection light of FIG. 1.  
FIG. 6 is a top view of the inspection light of FIG. 1; and,  
FIG. 7 is a bottom view of the inspection light of FIG. 1.  
The broken line showing represents portions of the article not claimed and forms no part of the claimed design.

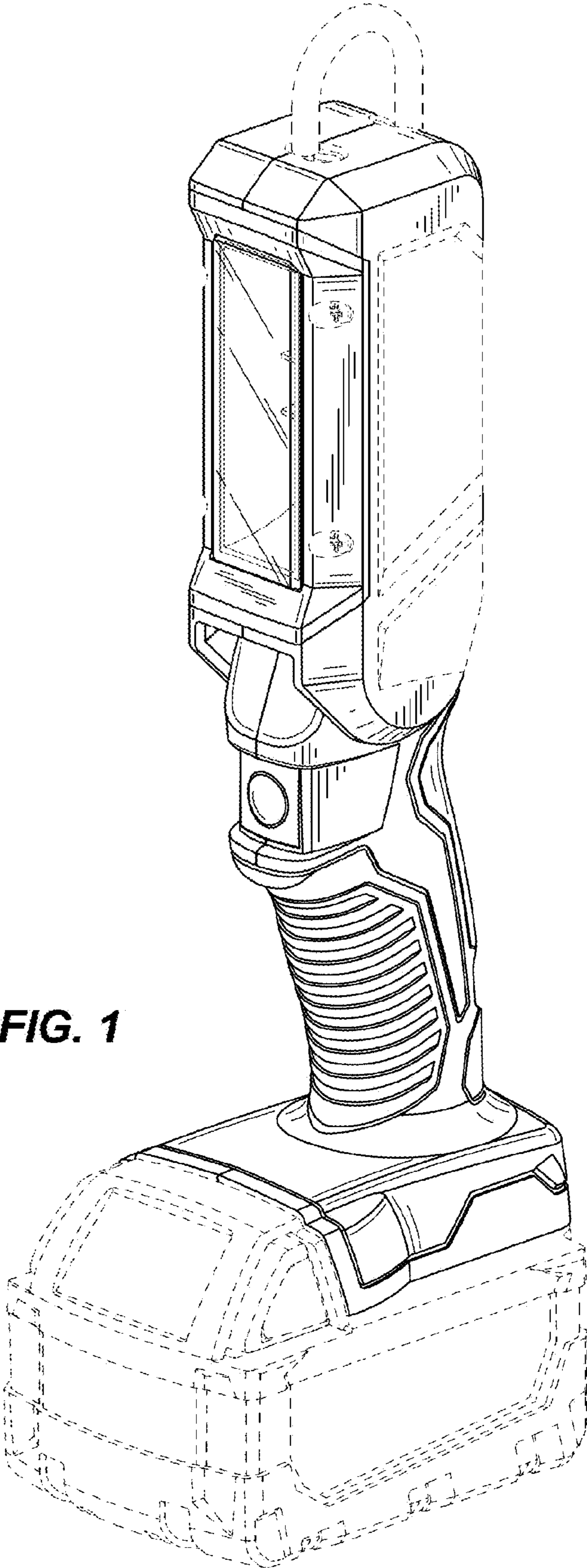
**1 Claim, 4 Drawing Sheets**

(56) **References Cited**

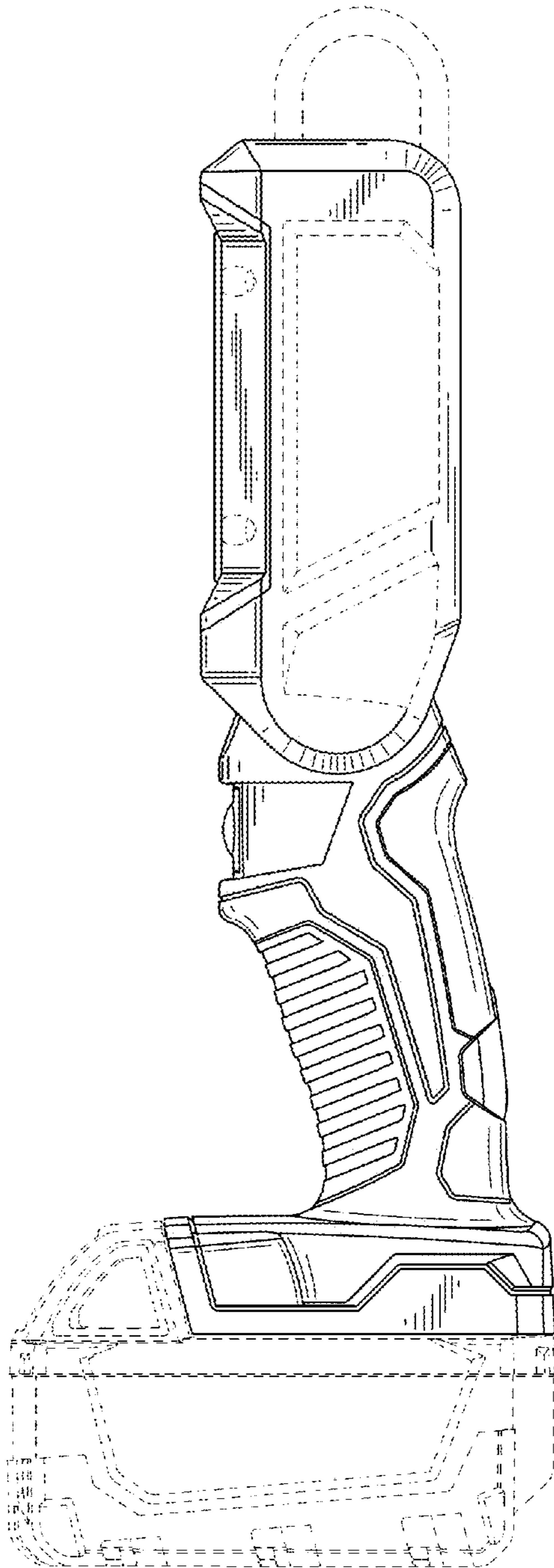
**U.S. PATENT DOCUMENTS**

D389,931 S *	1/1998	Kovacik et al. ....	D26/37
D441,888 S *	5/2001	Haneda et al. ....	D26/42
D501,687 S *	2/2005	Kovacik et al. ....	D26/42
D501,688 S *	2/2005	Kovacik et al. ....	D26/42
D599,926 S *	9/2009	Schoch .....	D26/45
D626,673 S *	11/2010	Kovacik et al. ....	D26/42

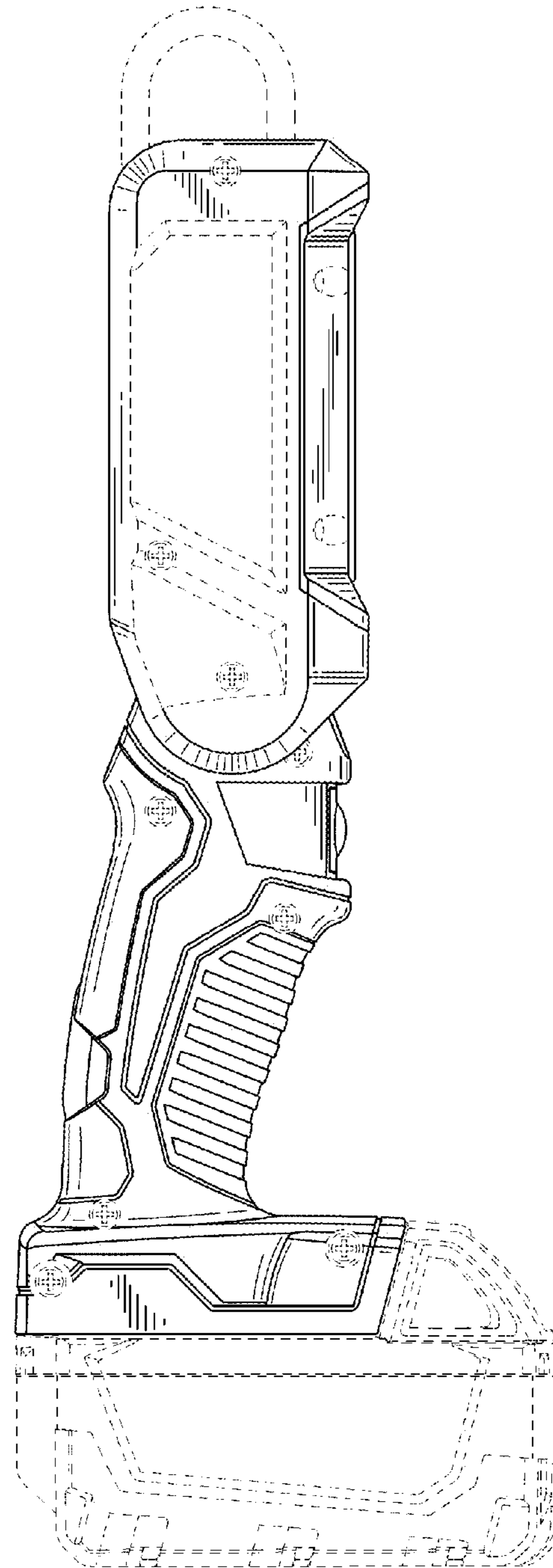




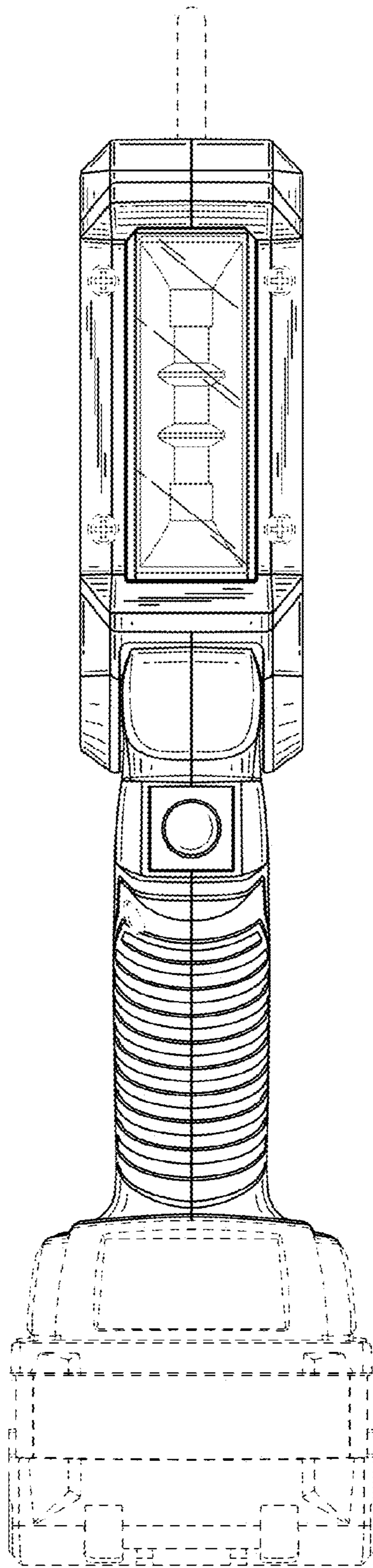
**FIG. 1**



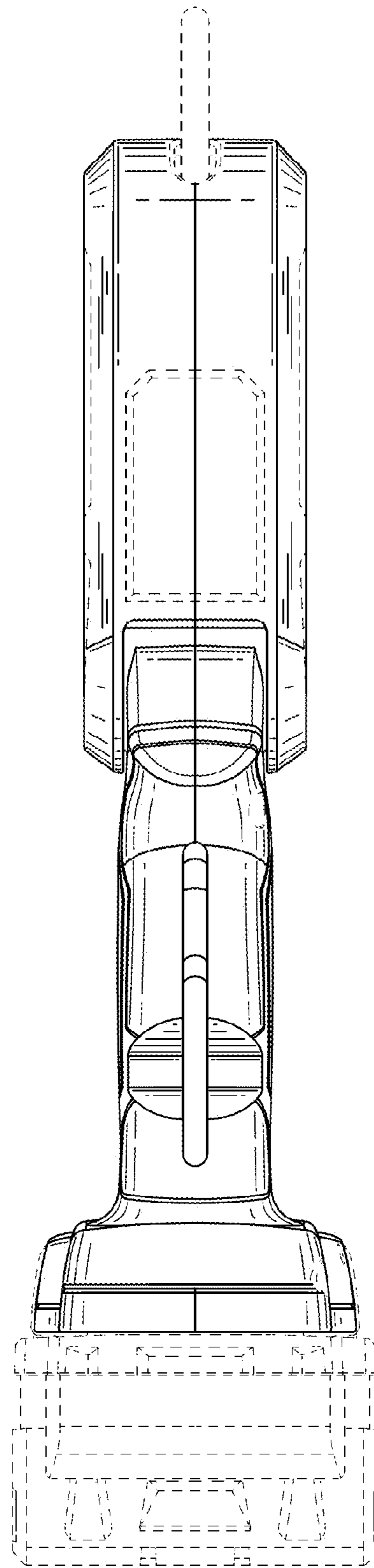
**FIG. 2**



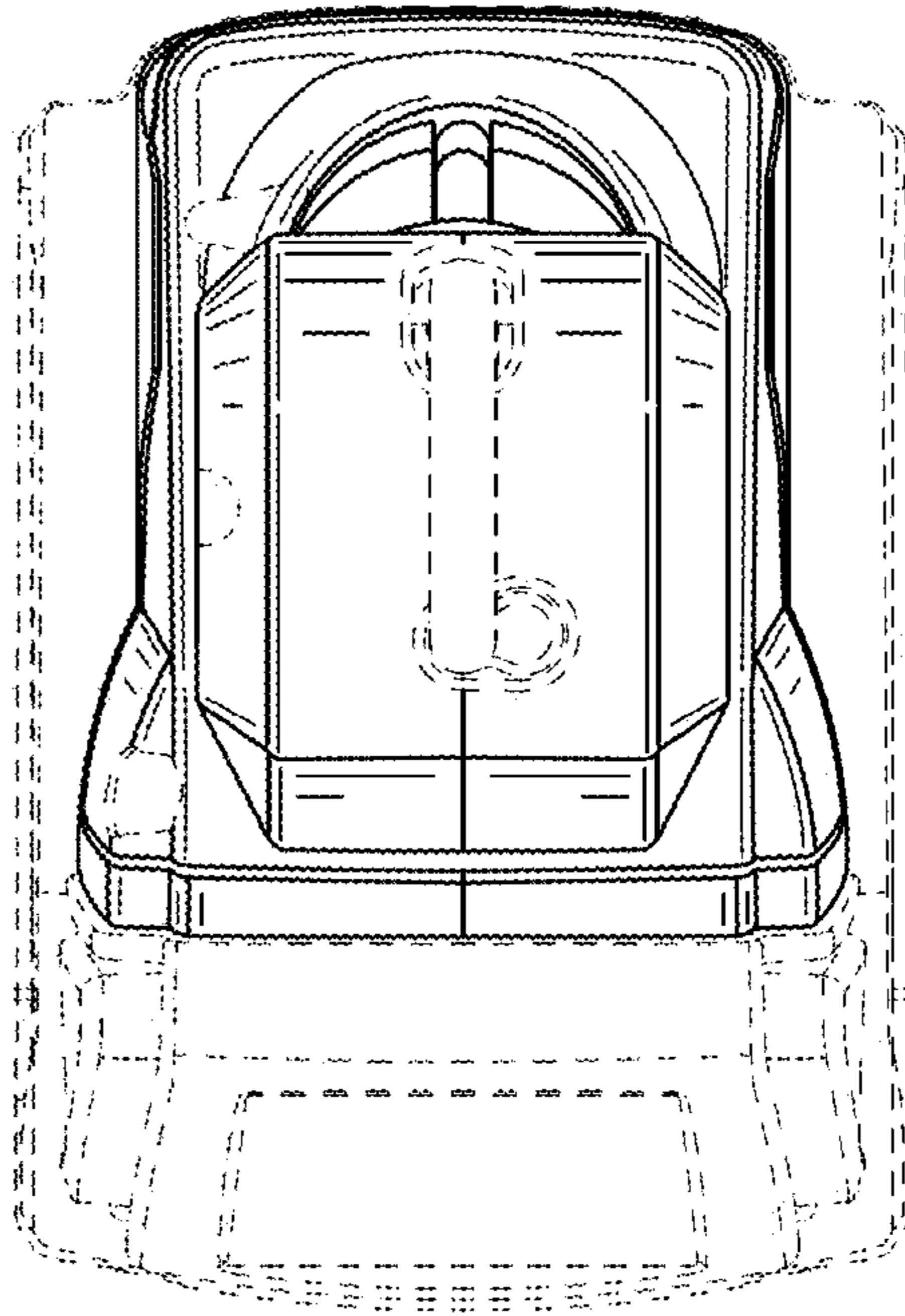
**FIG. 3**



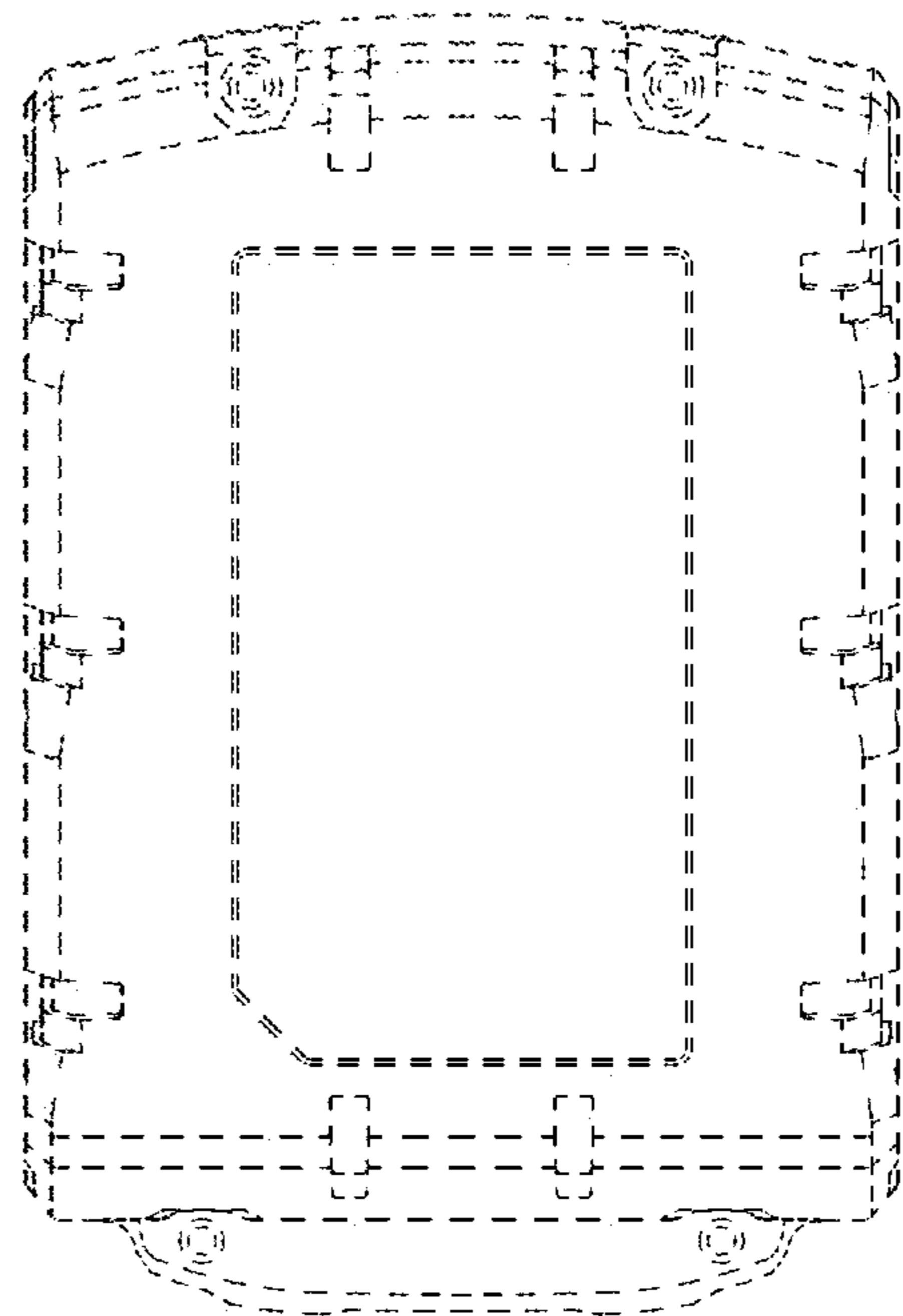
**FIG. 4**



**FIG. 5**



**FIG. 6**



**FIG. 7**