



US00D742566S

(12) **United States Design Patent**  
**Kuriki et al.**

(10) **Patent No.:** **US D742,566 S**  
(45) **Date of Patent:** **\*\* Nov. 3, 2015**

(54) **HEADLIGHT FOR A MOTORCYCLE**

(56) **References Cited**

(71) Applicant: **HONDA MOTOR CO., LTD.**, Tokyo  
(JP)

U.S. PATENT DOCUMENTS

(72) Inventors: **Daisuke Kuriki**, Wako (JP); **Mao Yoshida**, Wako (JP)

D523,168 S *	6/2006	Reed et al. ....	D26/139
7,252,422 B2 *	8/2007	Kim .....	362/549
D602,814 S *	10/2009	Lin .....	D12/110
D649,914 S *	12/2011	Marasco et al. ....	D12/110
D680,671 S *	4/2013	Tani et al. ....	D26/28
D693,275 S *	11/2013	Murakami .....	D12/110
D695,648 S *	12/2013	Yamazaki et al. ....	D12/110
D713,072 S *	9/2014	Phutrakool et al. ....	D26/28
D713,573 S *	9/2014	Futamata et al. ....	D26/28

(73) Assignee: **HONDA MOTOR CO., LTD.**, Tokyo  
(JP)

(\*\*) Term: **14 Years**

\* cited by examiner

(21) Appl. No.: **29/480,153**

*Primary Examiner* — Cynthia Ramirez

(22) Filed: **Jan. 23, 2014**

*Assistant Examiner* — Llorellys Martinez-Rivera

(30) **Foreign Application Priority Data**

(74) *Attorney, Agent, or Firm* — Westerman, Hattori, Daniels & Adrain, LLP

Jul. 31, 2013 (JP) ..... 2013-017459

(51) **LOC (10) Cl.** ..... **26-06**

(52) **U.S. Cl.**

(57) **CLAIM**

The ornamental design for a headlight for a motorcycle, as shown and described.

USPC ..... **D26/28**

**DESCRIPTION**

(58) **Field of Classification Search**

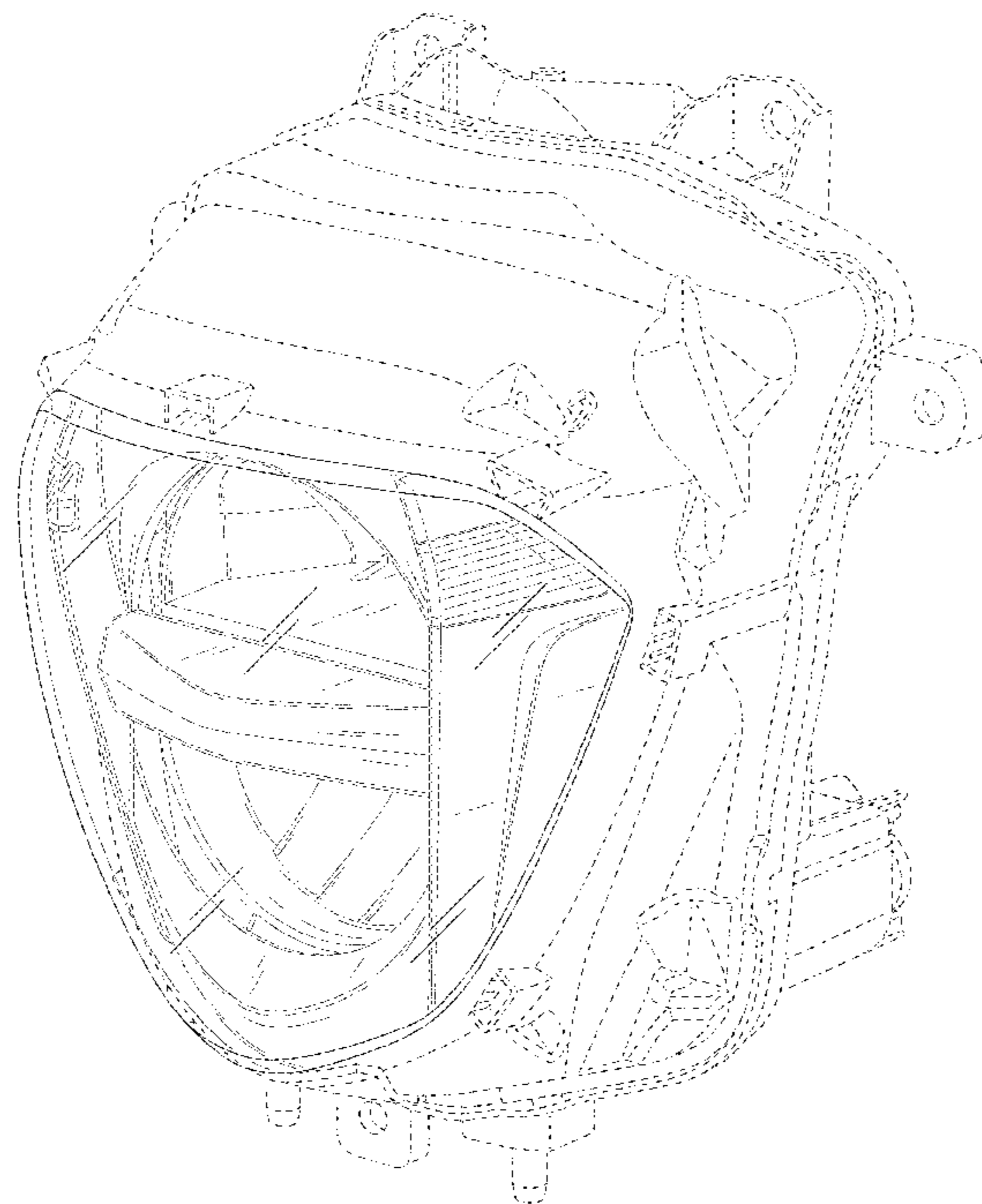
USPC ..... D26/28-36, 113, 118, 121, 138-140;  
362/362, 364-366, 368-373, 459-463,  
362/473-478, 485-487, 538, 539,  
362/546-549; D12/93, 96

CPC ..... B62J 6/02; B62J 6/04; B60Q 1/0047;  
B60Q 1/18; B60Q 1/2696; B60Q 1/46;  
F21S 48/1233; F21S 48/10; F21S 48/335;  
F21S 48/00; F21S 48/1258

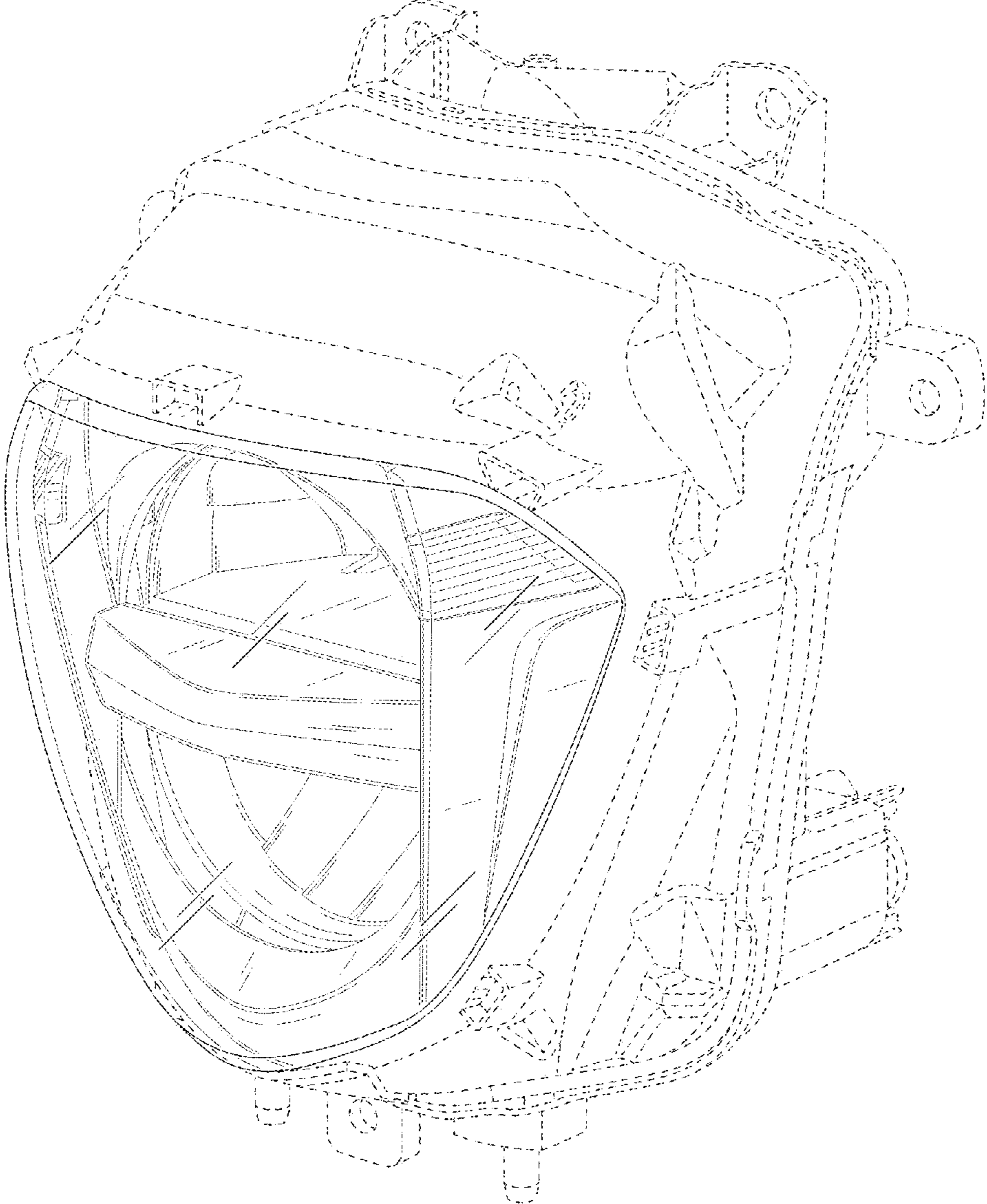
See application file for complete search history.

FIG. 1 is a first perspective view of a headlight for a motorcycle showing our new design;  
FIG. 2 is a front elevation view thereof;  
FIG. 3 is a top plan view thereof;  
FIG. 4 is a bottom plan view thereof; and,  
FIG. 5 is a right side elevation view thereof, the left side elevation view being a mirror image thereof.  
The broken lines in the drawings illustrate portions of the headlight for a motorcycle which form no part of the claimed design.

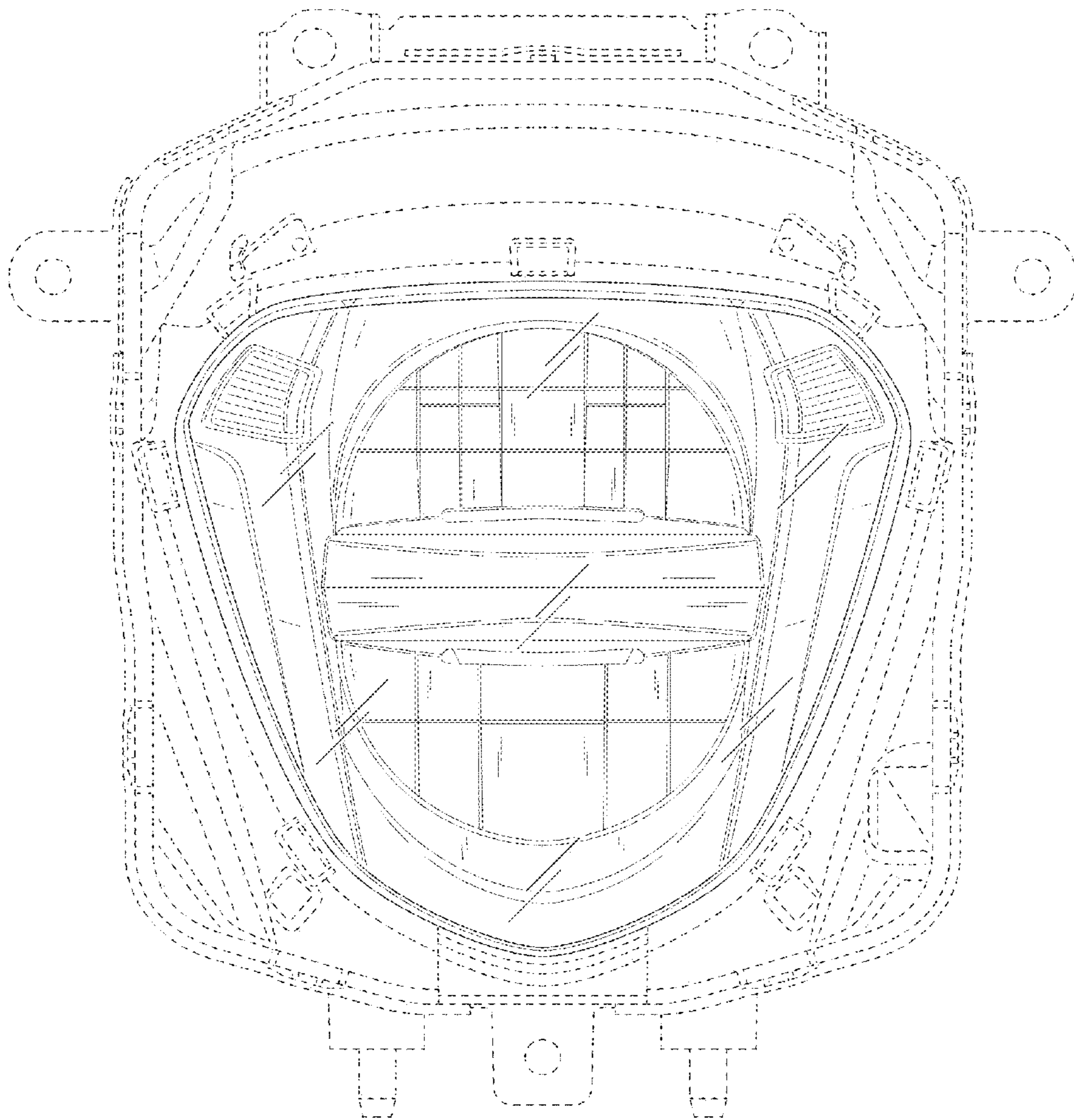
**1 Claim, 5 Drawing Sheets**



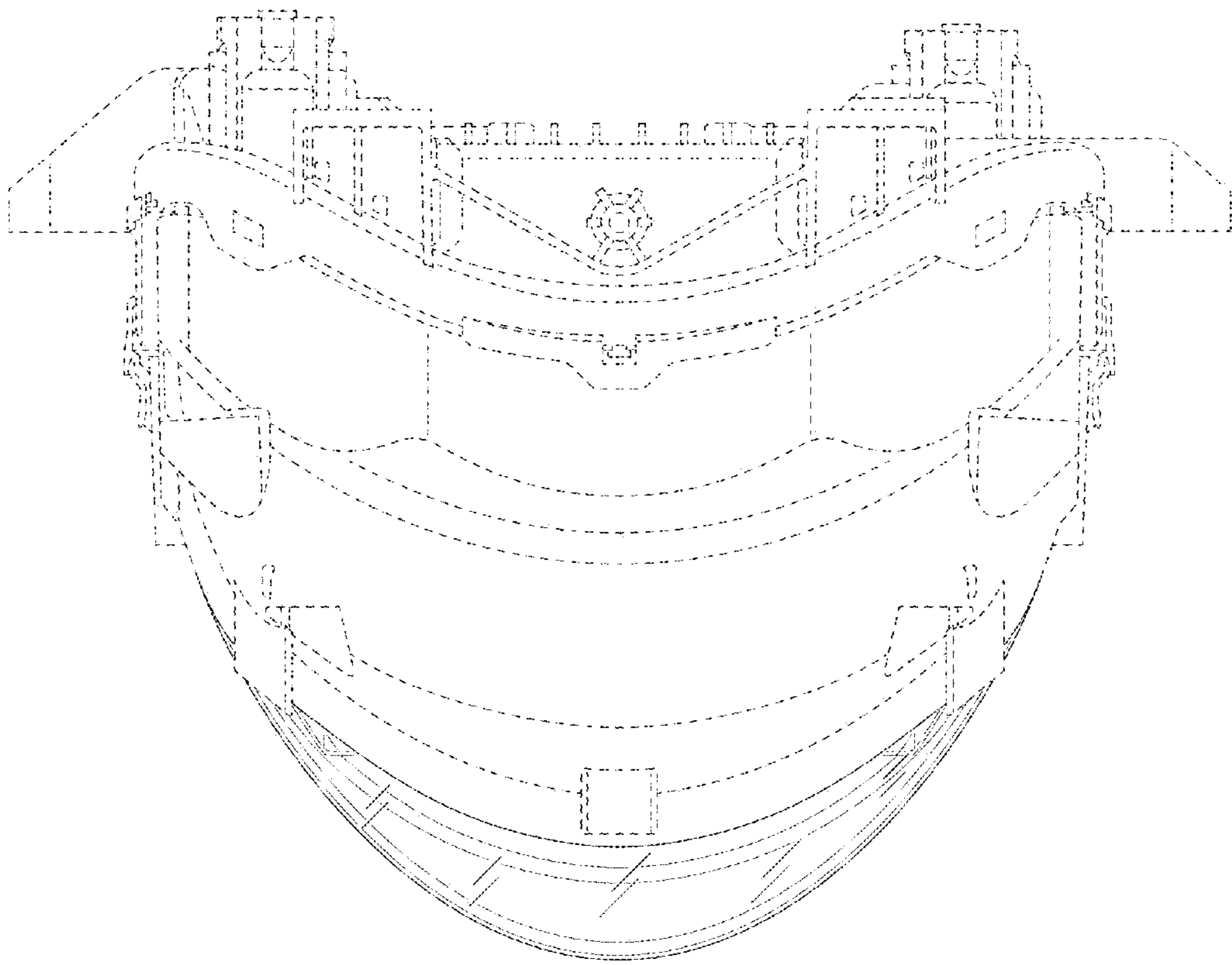
*Fig. 1*



*Fig.2*

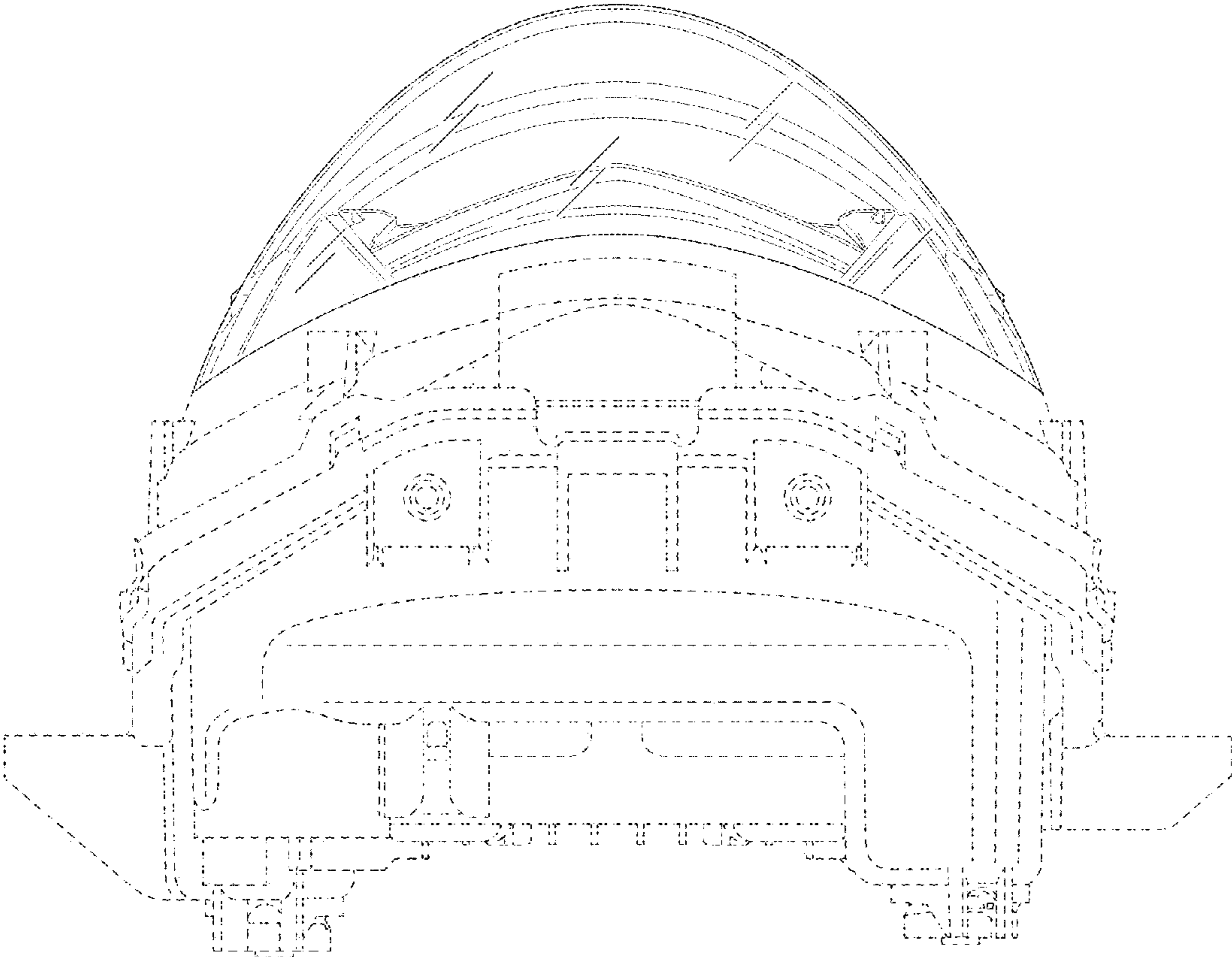


*Fig. 3*





*Fig. 4*



*Fig. 5*

