



US00D742565S

(12) **United States Design Patent**
Hanson et al.

(10) **Patent No.:** **US D742,565 S**

(45) **Date of Patent:** **** Nov. 3, 2015**

(54) **SIDE LIGHT OF A TRUCK**

D492,628 S 7/2004 Bond et al.
D494,900 S 8/2004 Satou
D499,496 S 12/2004 Papke et al.

(71) Applicant: **Caterpillar Inc.**, Peoria, IL (US)

(Continued)

(72) Inventors: **Eric J. Hanson**, Valparaiso, IN (US);
Gregory Miller, Rochester, MI (US);
Joseph F. Denatale, Greensboro, NC
(US)

FOREIGN PATENT DOCUMENTS

DE 40405079-0001 5/2010
DE 40405079-0002 5/2010
DE 40702161-0001 5/2010

(73) Assignee: **Caterpillar Inc.**, Peoria, CA (US)

OTHER PUBLICATIONS

(**) Term: **14 Years**

BMW—daytime running light, retrofit by JDM. Retrieved May 5,
2010 from <http://www.ijdmtoy.com/BLOG/wordpress/2009/11/>.

(21) Appl. No.: **29/478,445**

(Continued)

(22) Filed: **Jan. 6, 2014**

Related U.S. Application Data

(62) Division of application No. 29/439,606, filed on Dec.
13, 2012, now Pat. No. Des. 697,242, which is a
division of application No. 29/381,451, filed on Dec.
20, 2010, now Pat. No. Des. 675,757.

Primary Examiner — Marcus Jackson

(74) *Attorney, Agent, or Firm* — Finnegan, Henderson,
Farabow, Garrett & Dunner, LLP

(51) **LOC (10) Cl.** **26-06**

(57) **CLAIM**

The ornamental design for a side light of a truck, as shown and
described.

(52) **U.S. Cl.**

USPC **D26/28**

(58) **Field of Classification Search**

USPC D26/28-36; 362/459-468, 475-478,
362/485-487

See application file for complete search history.

DESCRIPTION

FIG. 1 is a front left perspective view of the truck including a
side light showing our new design;

FIG. 2 is a front left perspective view of the side light in FIG.
1;

FIG. 3 is a left view of the side light in FIG. 1;

FIG. 4 is a right view (behind the side light) of the side light
in FIG. 1;

FIG. 5 is a top view of the side light in FIG. 1;

FIG. 6 is a front view of the side light in FIG. 1;

FIG. 7 is a back view of the side light in FIG. 1; and,

FIG. 8 is a bottom view of the side light in FIG. 1.

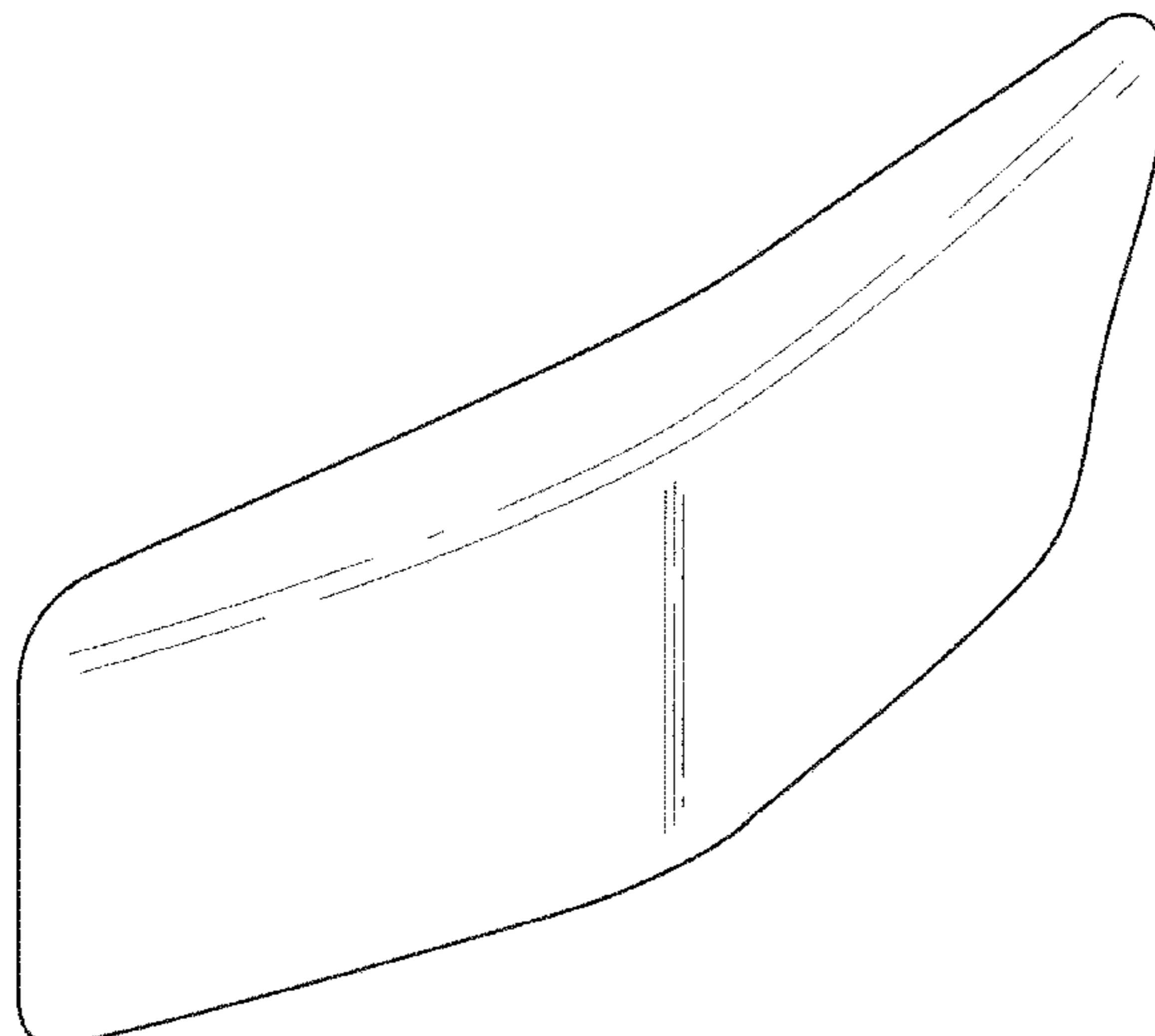
The broken lines shown in FIG. 1 illustrate environmental
structure and form no part of the claimed design.

(56) **References Cited**

U.S. PATENT DOCUMENTS

D304,569 S 11/1989 Brunger et al.
D334,630 S 4/1993 Paffrath
D367,027 S 2/1996 Onopa
D445,924 S * 7/2001 Oh D26/28
D447,826 S * 9/2001 Kang D26/28
D451,218 S * 11/2001 Bernier D26/28

1 Claim, 8 Drawing Sheets



(56)

References Cited

U.S. PATENT DOCUMENTS

D500,153 S	*	12/2004	Stephens et al.	D26/28
D518,580 S		4/2006	Tamiya et al.		
D519,069 S		4/2006	Clark et al.		
D531,330 S		10/2006	Takabatake		
D540,722 S		4/2007	Angelo et al.		
D555,815 S		11/2007	Golden et al.		
D560,573 S		1/2008	Aris et al.		
D563,576 S		3/2008	Hanaoka		
D565,758 S		4/2008	Conway et al.		
D569,020 S		5/2008	Schiavone et al.		
D571,027 S		6/2008	Suzuki et al.		
D576,765 S		9/2008	Song et al.		
D593,233 S		5/2009	Bai et al.		
D595,895 S		7/2009	Lamm		
D604,892 S		11/2009	Golden et al.		
D630,354 S	*	1/2011	Stephens et al.	D26/28

OTHER PUBLICATIONS

Dodge Caravan fog light—factory installed. Retrieved May 5, 2010 from http://www.dodge.com/en/2010/grand_caravan/design/styling/.

Ford F-150 fog light—aftermarket retrofit kit. Retrieved May 5, 2010 from http://www.fordf150foglights.com/Spyder/Fog-Lights/Ford-F150-Spyder-Halo-Angel-Eyes-Projector-Fog-Lights-Kit_-FL_P_FF15004_HL/638069/.

Honda Accord fog light—aftermarket retrofit kit. Retrieved May 5, 2010 from <http://www.hondapartsnow.com/genuine/2003-2005-honda-accord-coupe-fog-light-kit-4183.html>.

Mazda 6 fog light—aftermarket retrofit kit. Retrieved May 5, 2010 from <http://www.mazda-6-saloon.sgpetch.co.uk/pages/accessories/detail/model=124/category=ROOTexterior/accessory=Front+Fog+Lamps/id=2299>.

Mercedes ML Class W-164 with Carlsson daytime running lights. Retrieved May 5, 2010 from <http://www.germancarscene.com/2009/09/07/carlsson-daytime-running-lights-for-the-mercedes-benz-ml-class/>.

Mitsubishi Lancer fog light—aftermarket retrofit kit. Retrieved May 5, 2010 from <http://www.mitsupartsworld.com/94-mitsubishilancer-fog-lights.html>.

Suzuki Alto fog light—factory installed. Retrieved May 5, 2010 from http://www.netcarshow.com/suzuki/2009-alto/800x600/wallpaper_04.htm.

Suzuki Swift fog light—factory installed. Retrieved May 5, 2010 from <http://www.themotorreport.com.au/48183/suzukiaustralia-announces-reduced-swift-and-alto-pricing>.

SuzukiSX4 fog light—factory installed option. Retrieved May 5, 2010 from http://www.suzuki.com.au/cars/accessories.php?model=sx4_hatch.

Toyota Camry fog light—aftermarket retrofit kit. Retrieved May 5, 2010 from http://www.connerpro.us/index.php?main_page=index&cPath=26.

Toyota Yaris sedan fog light—aftermarket retrofit kit. Retrieved May 5, 2010 from http://www.connerpro.us/index.php?main_page=index&cPath=26.

Toyota FJ Cruiser fog light—aftermarket retrofit kit. Retrieved May 5, 2010 from <http://www.4x4groupbuy.com/store/light-inserts-cruiser-bull-pi-8625.html>.

Volkswagen GTI fog light—aftermarket retrofit kit (by Helia). Retrieved May 5, 2010 from <http://myfastgti.com/volkswagen/showthread.php/euro-switchcoming-home-feature-auto-6686.html?s=f3b97798f6d3a46018d27f8246998bcb&>.

A selection of sidemarker designs. Retrieved May 5, 2010 from http://www.ep.yimg.com/ca/l/twincamtech_2102_52373642.

Sidemarkers for a Volkswagen, made by Hella. Retrieved May 5, 2010 from http://www.fastvws.com/acatalog/copy_of_copy_of_copy_of_copy_of_MK3.html#a2112.

Porsche Carrera S 05 side marker. Retrieved May 5, 2010 from http://www.koperformance.com/online_ordering/show_part/183539-9976310370-100.

Porsche Boxster S side marker. Retrieved May 5, 2010 from http://www.koperformance.com/online_ordering/show_part/182761-98763103401-100.

Wesbar side marker—PN 003250. Retrieved May 5, 2010 from <http://www.wesbar.com/product/details.asp?ProdID=003250&cat=8480>.

Porsche 1987 944S turn signal lamp. Retrieved May 5, 2010 from <http://www.koperformance.com/catalog/POR/1988/7999-944S-S2/L2/2017-Turn-Signal-Light.html>.

Mazda RX-8 aftermarket side marker. Retrieved May 5, 2010 from <http://www.rotaryfx.com/PhotoGallery.asp?ProductCode=LIG1048>.

Infiniti G35 side marker. Retrieved May 5, 2010 from <http://www.g35driver.com/forums/attachments/Interior-exterior/51908d1157232622-new-amber-side-markerssidemarker.jpg>.

Nissan Side Marker—aftermarket retrofit. Retrieved May 6, 2010 from http://www.frsport.com/Genuine-OEM-Nissan-Silvia-Side-Marker-Lights_p_1397.html.

Volvo side marker (for XC70). Retrieved May 6, 2010 from <http://www.discountvoparts.com/volvo-side-marker>.

Universal car side marker. Retrieved May 6, 2010 from <http://www.lightinthebox.com/productvote/57568-76903>.

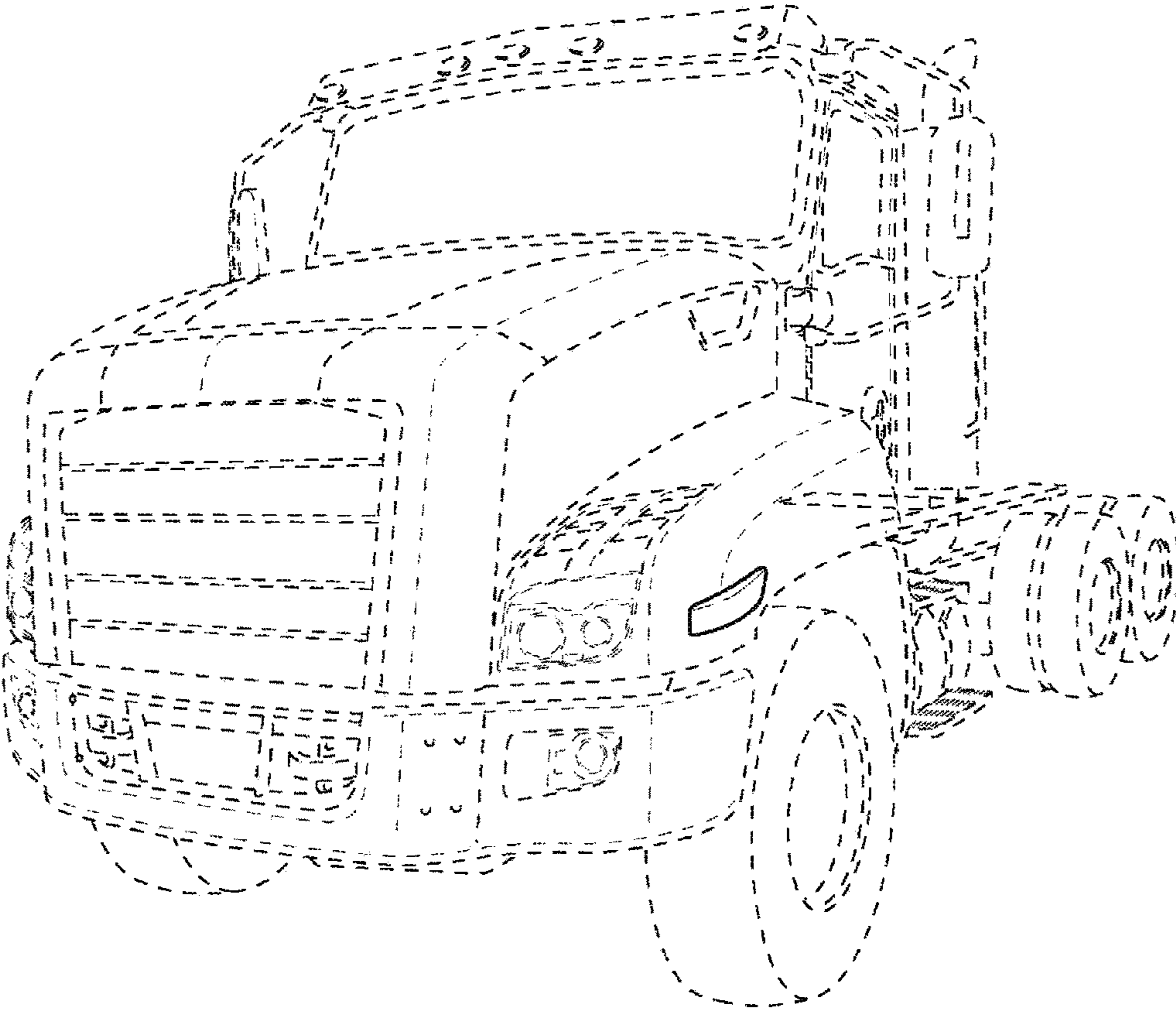
Geo Prism turn side turn signal. Retrieved May 6, 2010 from http://www.store.justparts.com/NORDSTROMS/PartFinder/5_50_7_Geo_14_NORDSTROMS_20_1_39_New--Aftermarket_21_7_35_5.21.

Kia Optima side marker. Retrieved May 6, 2010 from <http://www.usedautopartdepot.com/Vehicle-Parts.php?m=KIA&n+Turn%20Signal%20Light>.

BMW Z3 side marker. Retrieved May 6, 2010 from <http://www.home.comcast.net/~3rdRock/BMW/Roadster/ModPx/index.html>.

* cited by examiner

FIG. 1



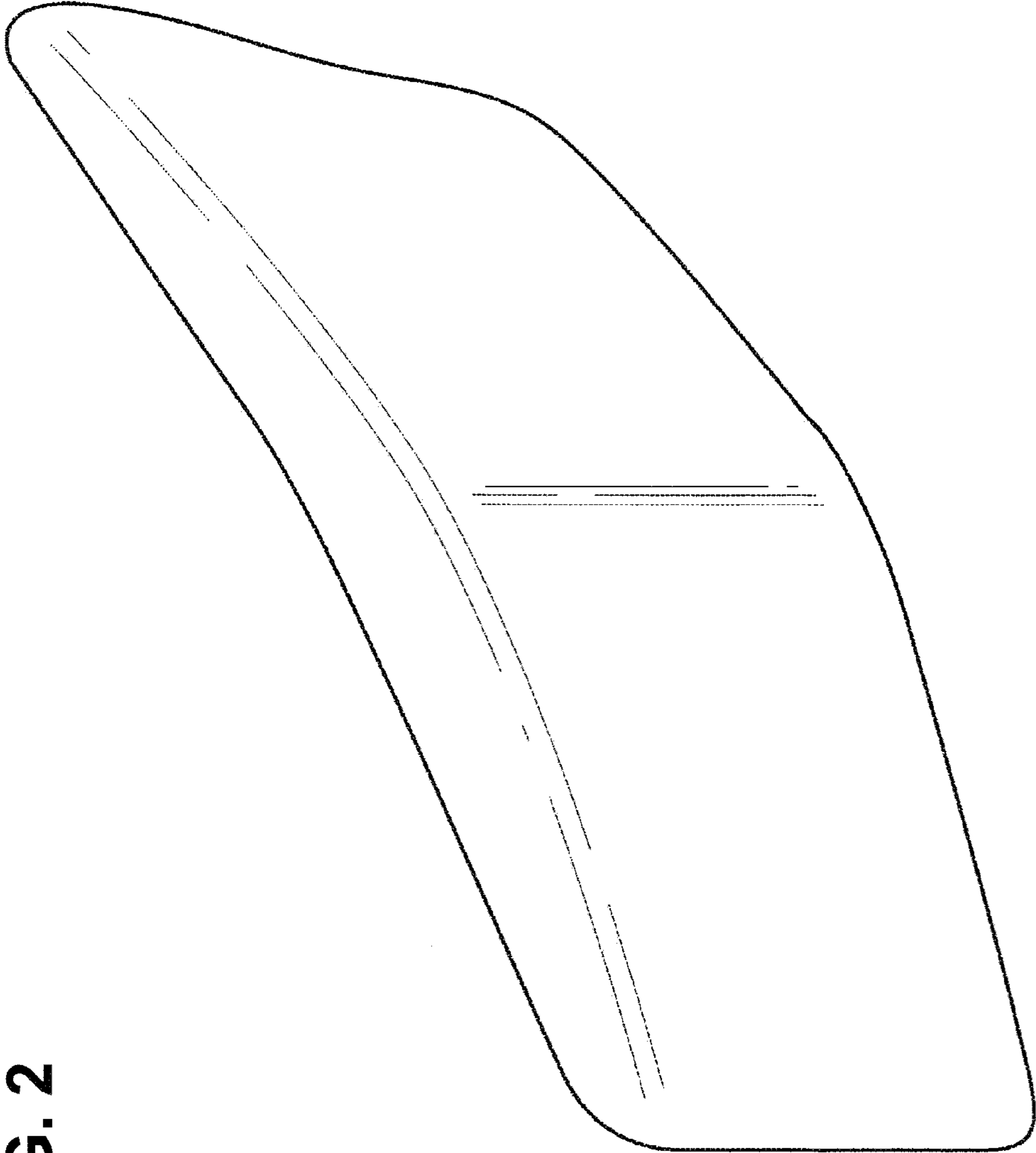


FIG. 2

FIG. 3

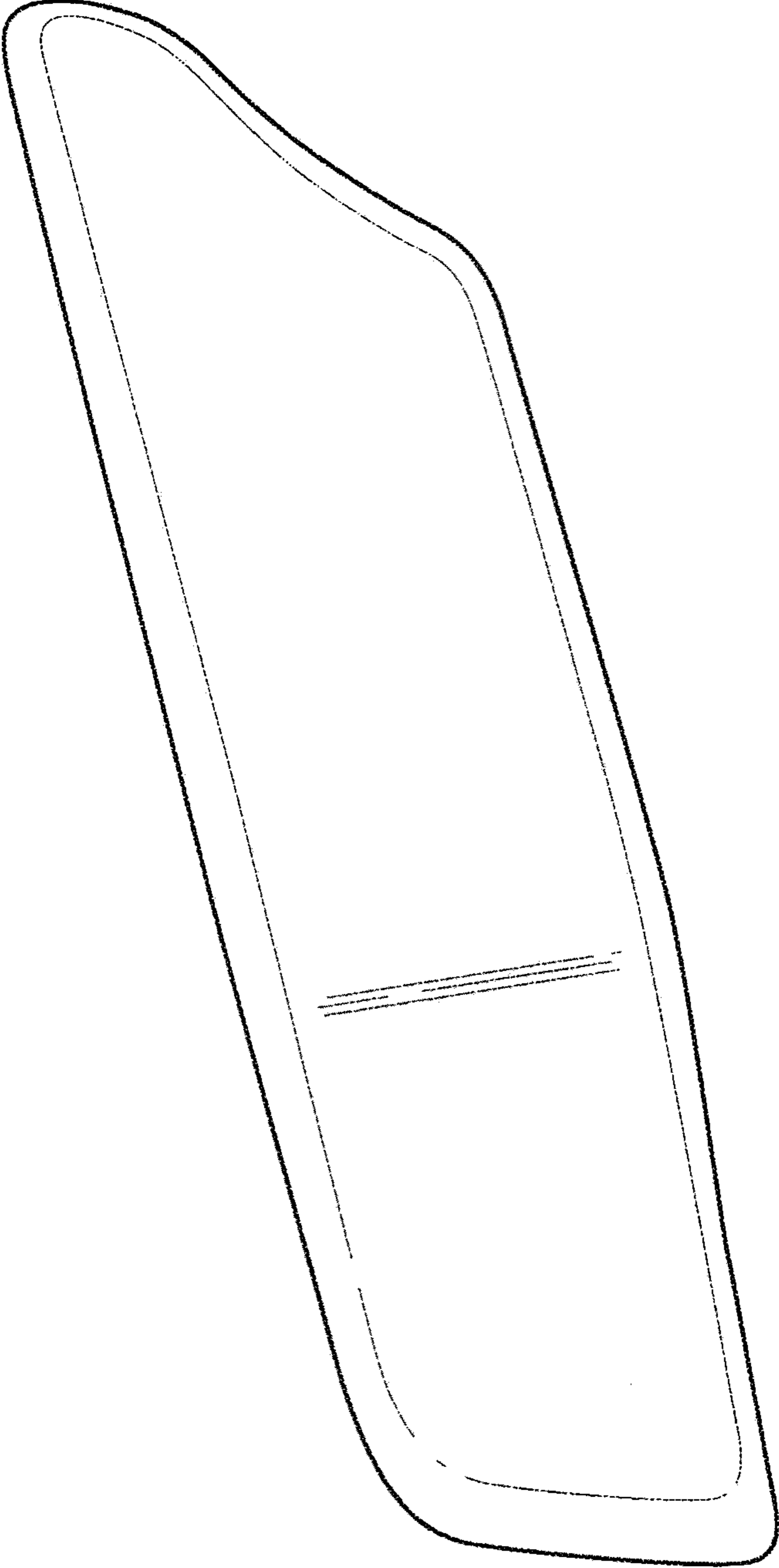


FIG. 4

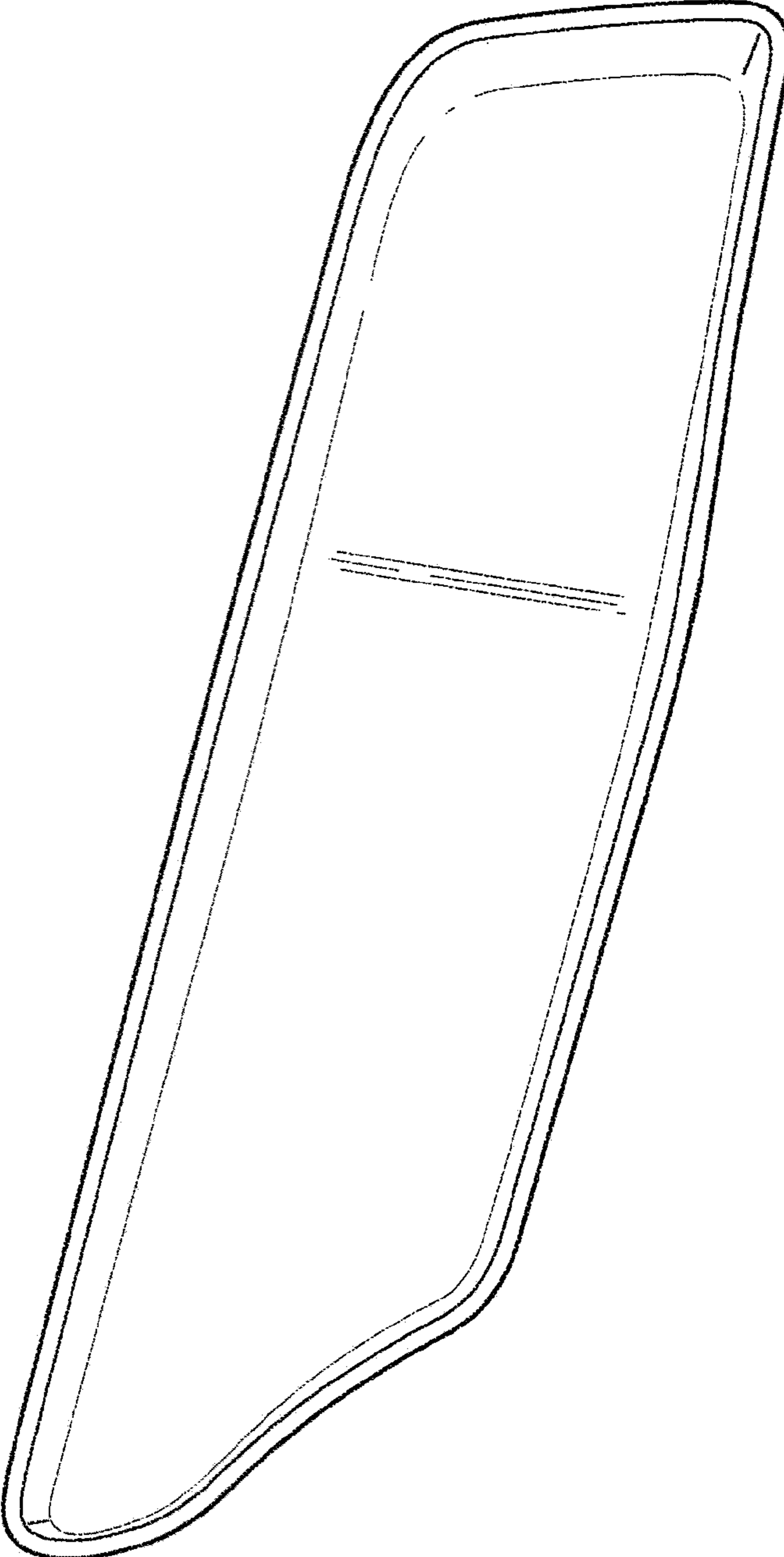
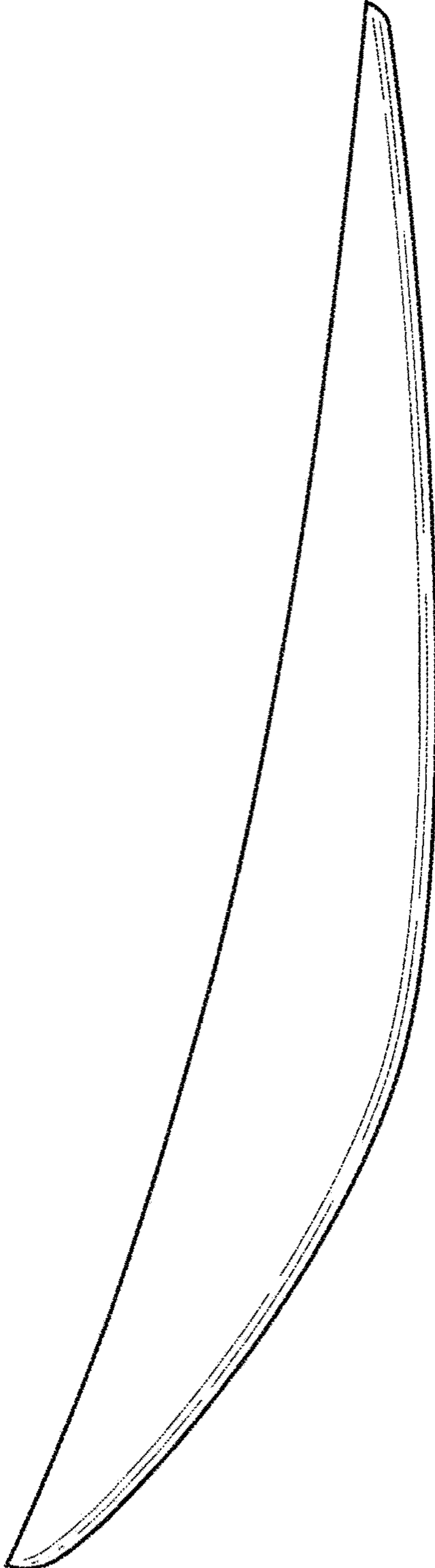


FIG. 5



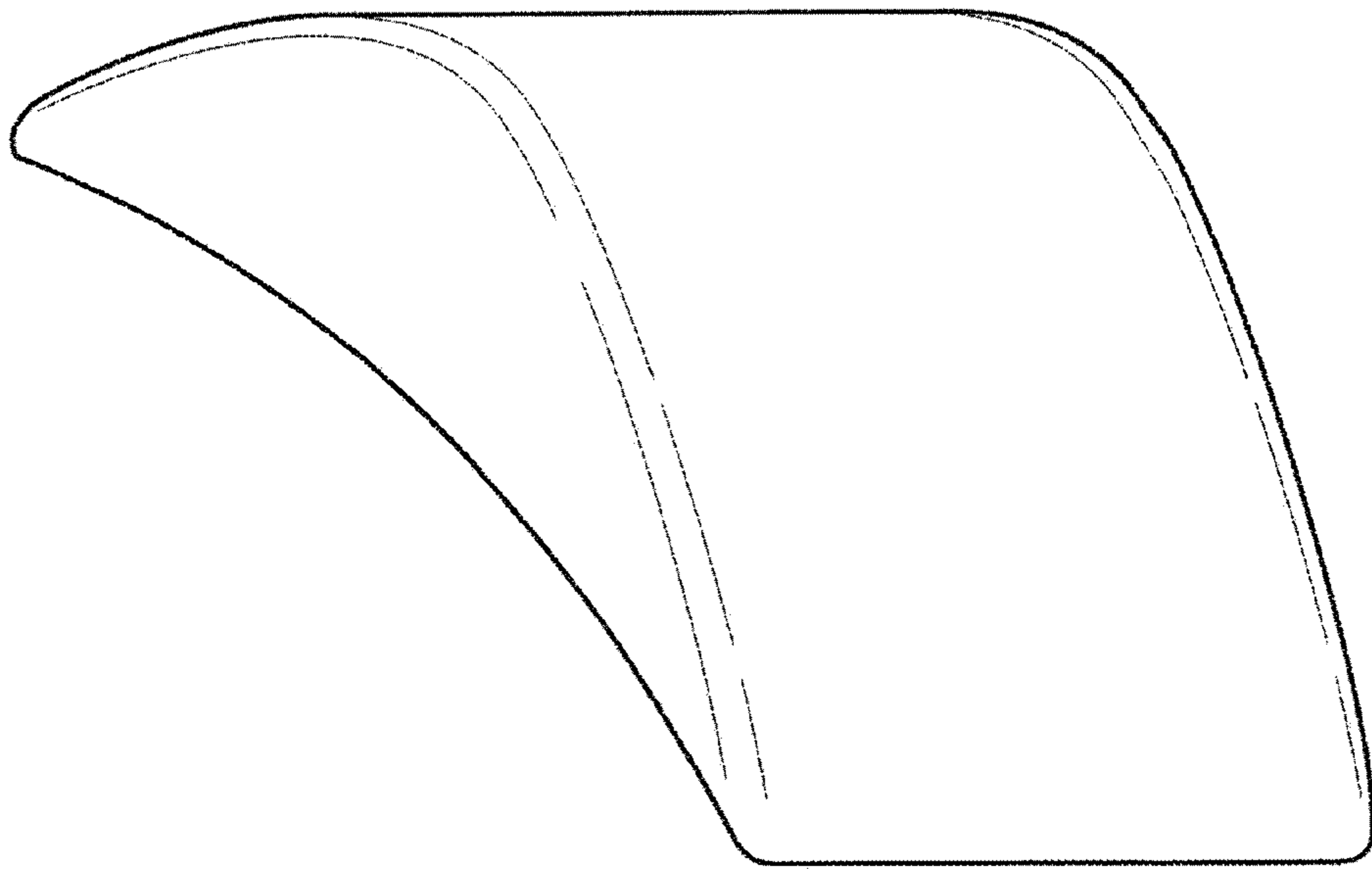


FIG. 6

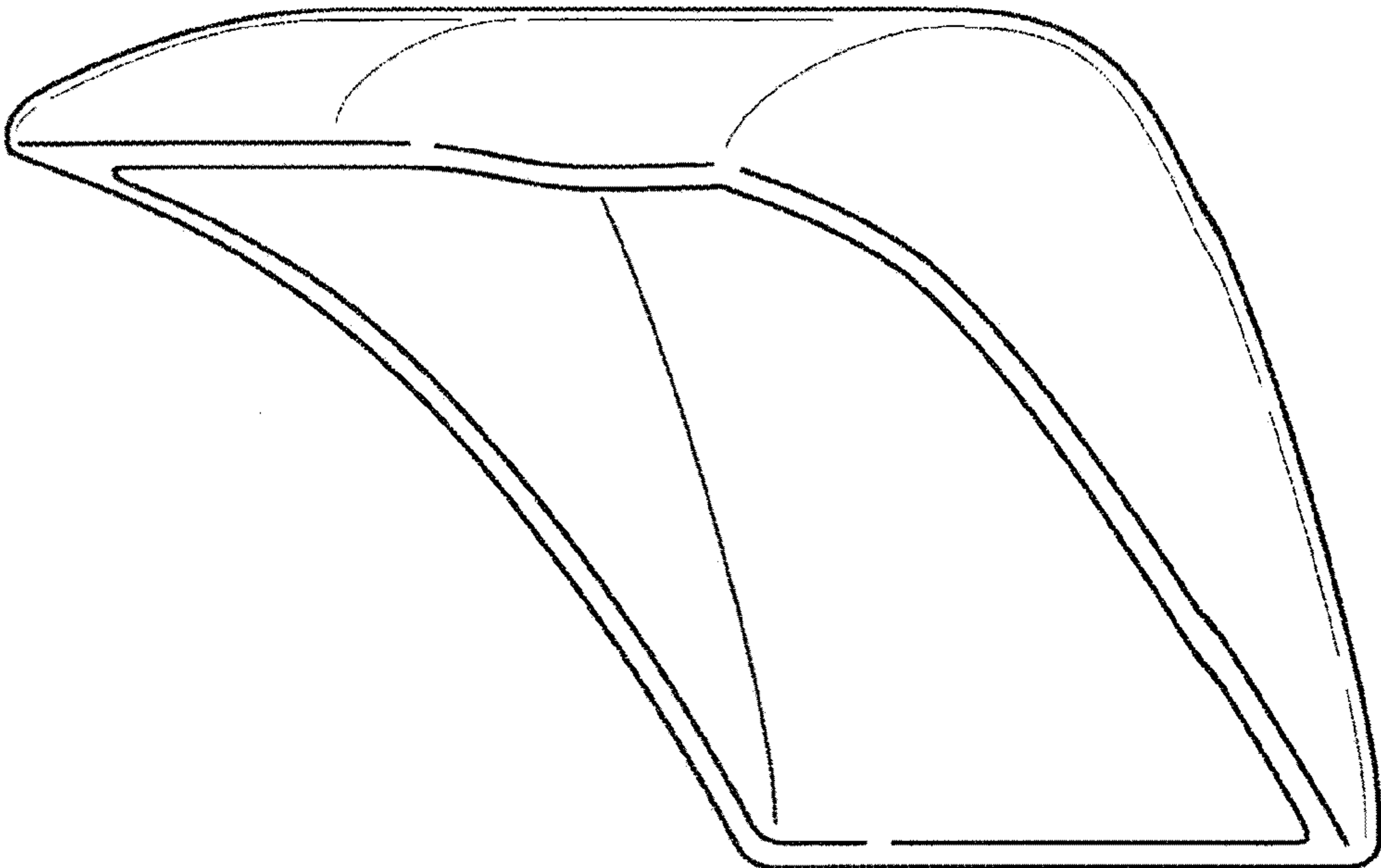


FIG. 7

FIG. 8

