



US00D742564S

(12) **United States Design Patent**
Walterscheid

(10) **Patent No.:** **US D742,564 S**
(45) **Date of Patent:** **** Nov. 3, 2015**

(54) **LED LIGHT DEVICE**

(71) Applicant: **Kelly Frank Walterscheid**, Mesa, AZ
(US)

(72) Inventor: **Kelly Frank Walterscheid**, Mesa, AZ
(US)

(**) Term: **14 Years**

(21) Appl. No.: **29/469,975**

(22) Filed: **Oct. 16, 2013**

(51) **LOC (10) Cl.** **26-03**

(52) **U.S. Cl.**

USPC **D26/24**

(58) **Field of Classification Search**

USPC D26/1, 24; D24/435.1

CPC F21S 4/005; F21S 4/008; F21S 9/00

See application file for complete search history.

(56) **References Cited**

U.S. PATENT DOCUMENTS

D612,077 S * 3/2010 Bennett, Jr. D26/24

D663,865 S * 7/2012 Betsuda et al. D26/1

D673,307 S * 12/2012 Moghal D26/1

D690,444 S * 9/2013 Katoh et al. D26/1
D699,376 S * 2/2014 Kim D26/1
D715,466 S * 10/2014 Wang D26/24

* cited by examiner

Primary Examiner — Brian N Vinson

(74) *Attorney, Agent, or Firm* — Bay Area Technology Law
Group, P.C.

(57) **CLAIM**

The ornamental design for a LED light device, as shown and
described.

DESCRIPTION

FIG. 1 is a perspective view of an LED light device showing
my new design;

FIG. 2 is a top plan view thereof;

FIG. 3 is a bottom plan view thereof;

FIG. 4 is a left side elevational view thereof;

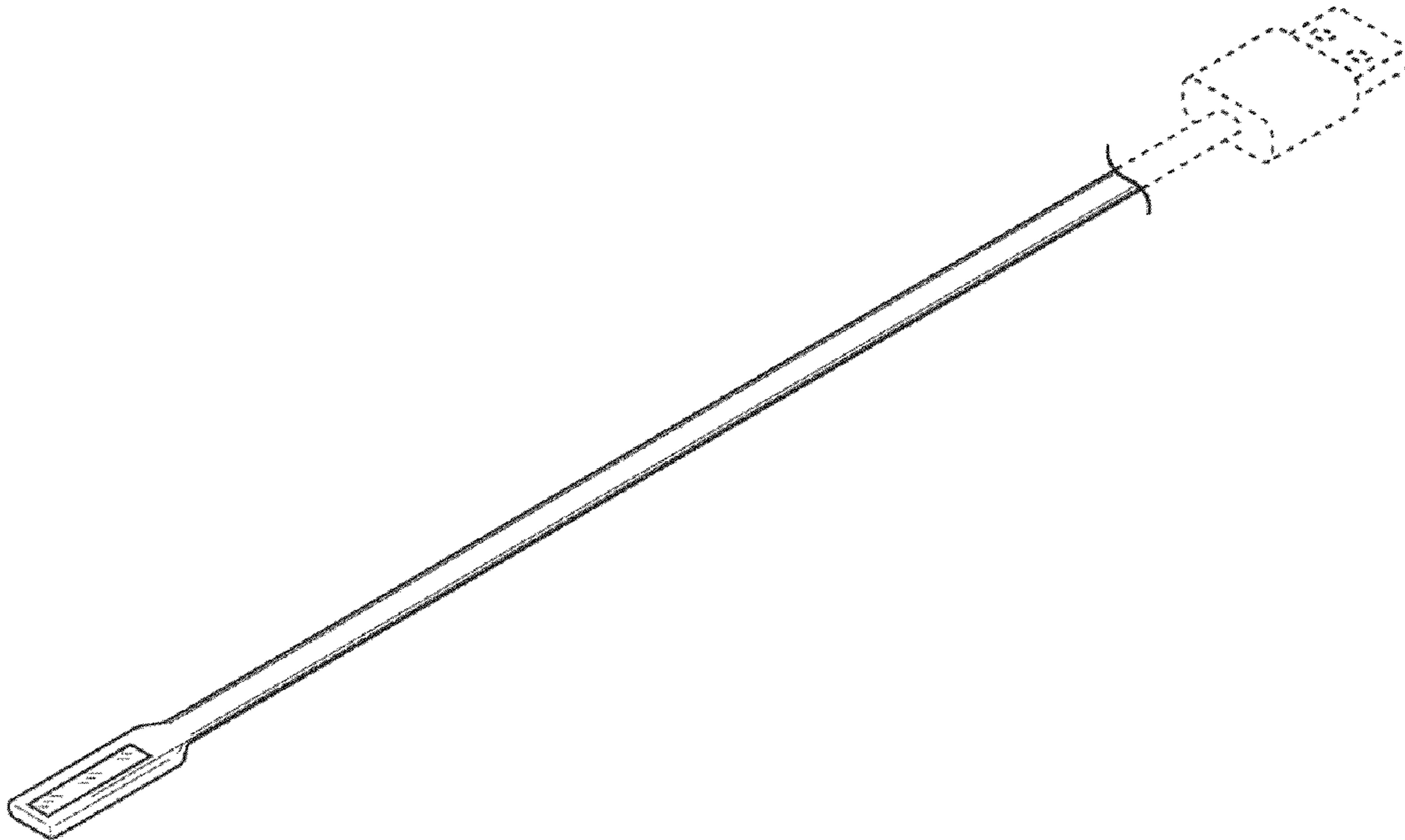
FIG. 5 is a right side elevational thereof;

FIG. 6 is a front elevational view thereof; and,

FIG. 7 is a rear elevational view thereof.

The broken line disclosure represents a portion of the device
which forms no part of the claimed design.

1 Claim, 1 Drawing Sheet



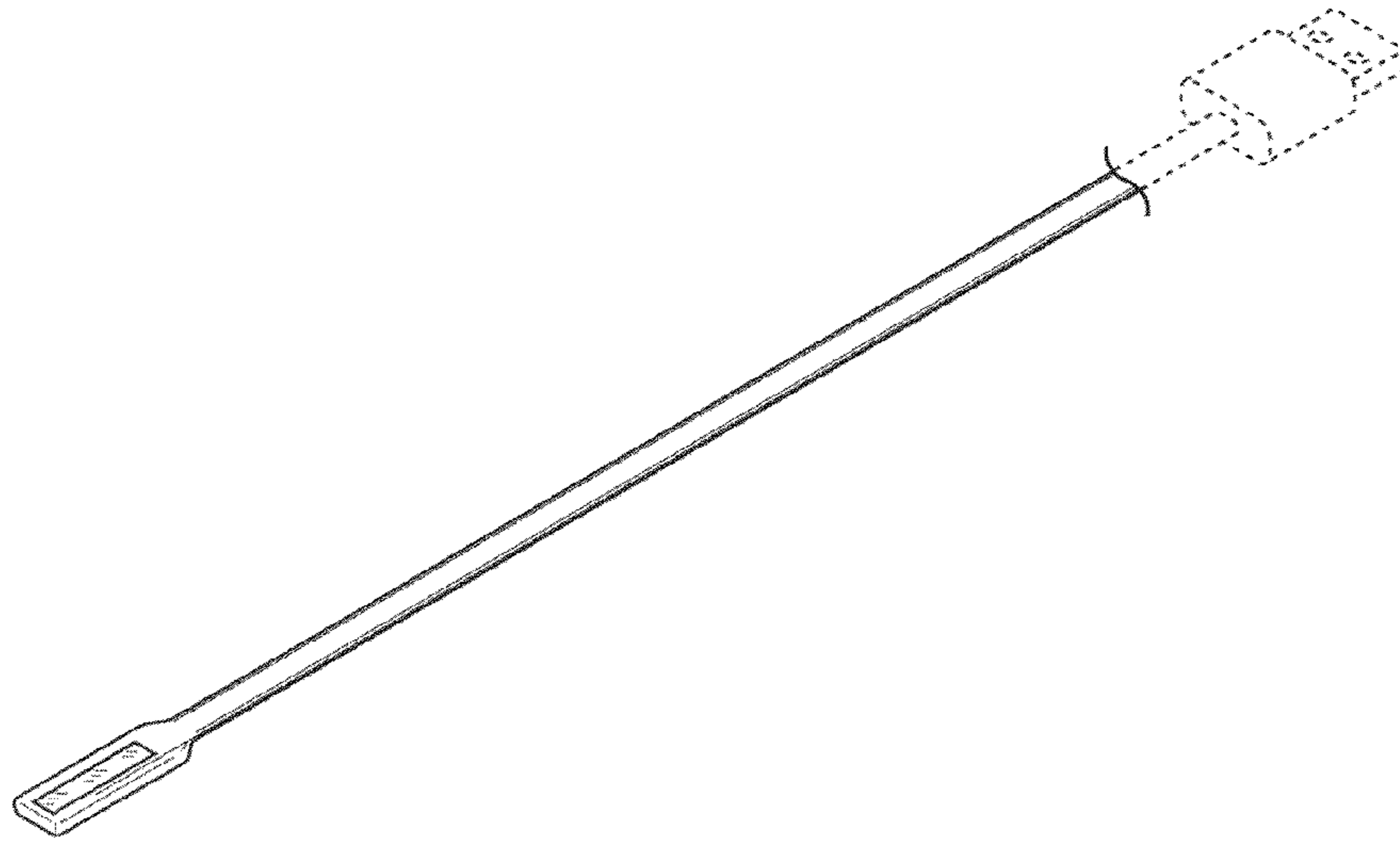


FIG. 1

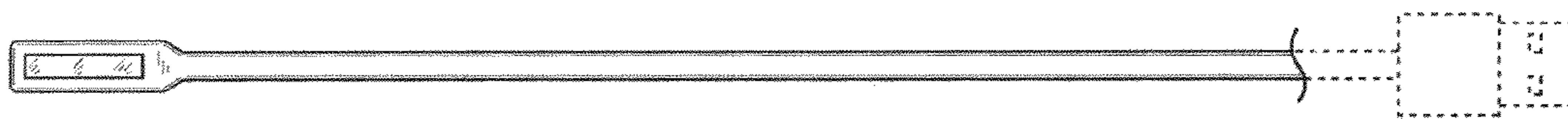


FIG. 2

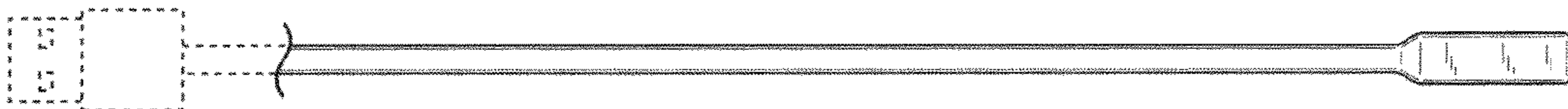


FIG. 3

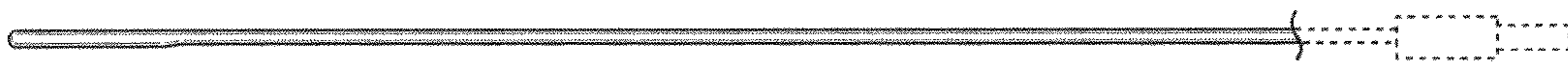


FIG. 4



FIG. 5



FIG. 6



FIG. 7