



US00D742562S

(12) **United States Design Patent**
Kasha

(10) **Patent No.:** **US D742,562 S**

(45) **Date of Patent:** **** *Nov. 3, 2015**

- (54) **TEALIGHT VASE**
- (71) Applicant: **Adam Kasha**, Ann Arbor, MI (US)
- (72) Inventor: **Adam Kasha**, Ann Arbor, MI (US)
- (*) Notice: This patent is subject to a terminal disclaimer.
- (**) Term: **14 Years**

4,065,016	A	12/1977	Perkins	
D266,595	S *	10/1982	Sarpaneva	D26/10
D269,638	S *	7/1983	Frye et al.	D26/9
4,525,950	A	7/1985	Glassman	
4,937,701	A *	6/1990	Schroder	362/161
5,047,268	A	9/1991	Cheng	
5,090,213	A *	2/1992	Glassman	62/457.3
D488,582	S *	4/2004	Connelly et al.	D26/96
7,082,714	B1	8/2006	Behrens	
D542,707	S *	5/2007	Kolokotronis et al.	D11/153

(Continued)

(21) Appl. No.: **29/489,608**

FOREIGN PATENT DOCUMENTS

(22) Filed: **May 1, 2014**

CN	2310748	3/1999
DE	102005011187	9/2006

(Continued)

Related U.S. Application Data

(63) Continuation of application No. 14/265,675, filed on Apr. 30, 2014.

OTHER PUBLICATIONS

(51) **LOC (10) Cl.** **26-01**

English translation of Abstract of EP0978233, printed on Nov. 11, 2013.

(52) **U.S. Cl.**
USPC **D26/9; D26/22**

(Continued)

(58) **Field of Classification Search**
USPC D26/5-23; D11/143-156, 131, 131.1, D11/157, 164; D6/556-558, 403-405; D8/1; 431/299, 125, 126, 292, 289; D7/500, 509, 523, 510, 511, 533, 532, D7/524, 566, 570, 545, 354, 586, 515, 518, D7/521, 549, 554.3, 562, 564; D9/428, D9/500, 502, 520, 538, 539; D19/88, D19/80-82, 84, 85

Primary Examiner — T. Chase Nelson
Assistant Examiner — Ania Aman
(74) *Attorney, Agent, or Firm* — Dinsmore & Shohl LLP

See application file for complete search history.

(57) **CLAIM**
The ornamental design for a tealight vase, as shown and described.

(56) **References Cited**

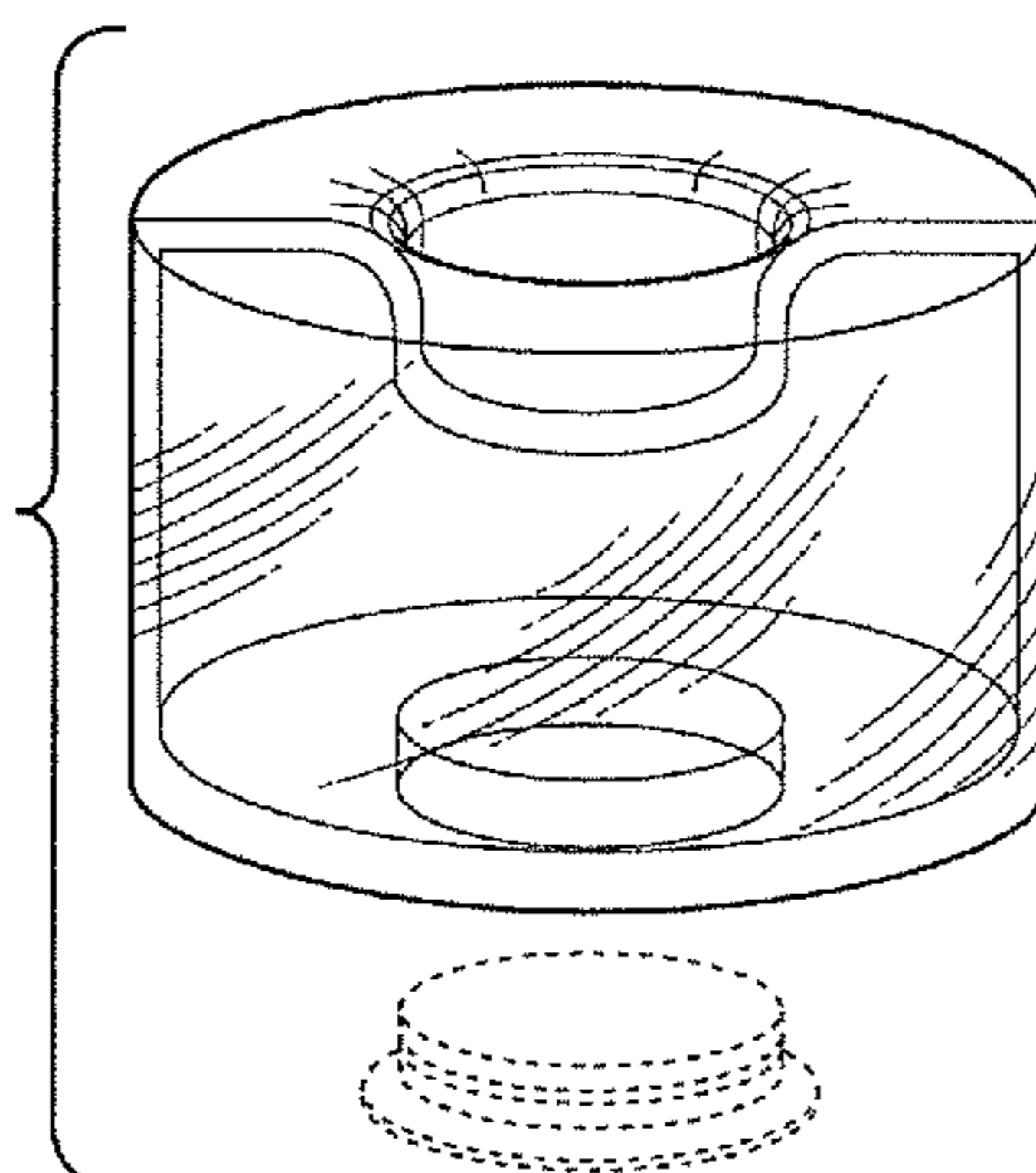
DESCRIPTION

U.S. PATENT DOCUMENTS

53,279	A	3/1866	Dithridge	
116,401	A	6/1871	Bingham et al.	
650,614	A	5/1900	Roeseler	
2,029,314	A	2/1936	Ellis	
3,269,144	A *	8/1966	Poris	62/457.3
3,781,164	A *	12/1973	McCaffery	431/291
4,017,729	A	4/1977	Frazier, Jr.	

FIG. 1 is a perspective view of a tealight vase showing my new design with the cap shown exploded in broken line; FIG. 2 is a side view of the invention; FIG. 3 is a top view of the invention; and, FIG. 4 is a bottom view of the invention. Portions of the article shown in broken lines form no part of the claimed design.

1 Claim, 1 Drawing Sheet



(56)

References Cited

OTHER PUBLICATIONS

U.S. PATENT DOCUMENTS

D613,624 S * 4/2010 Bodum D10/46.2
D630,124 S 1/2011 Connell et al.
8,033,412 B2 10/2011 Mayo
D698,499 S * 1/2014 Deng D30/101
D713,100 S * 9/2014 Salgueiro et al. D30/117
2005/0039398 A1 * 2/2005 Corona 47/66.6
2008/0254398 A1 * 10/2008 Chadha 431/291
2009/0049743 A1 * 2/2009 Lewis, Jr. 47/41.01
2010/0308061 A1 12/2010 Loulourgas
2011/0010988 A1 * 1/2011 Lanoha 47/41.1

FOREIGN PATENT DOCUMENTS

DE 202007007802 11/2007
EP 0978233 2/2000

English translation of abstract of DE102005011187, printed on Nov. 11, 2013.
Glass Flower Vase, Qingdao Kred Corp., product website, printed on Nov. 6, 2013.
Vase Double Wall H30CM, product website, Printed on Nov. 6, 2013.
Double Walled Vase, product website, printed on Nov. 11, 2013.
Double Sided Vase, Dot Bo product website, pinte on Nov. 6, 2013.
Pure Double-Walled Bowl, Simon Pearce, product website, Printed on Nov. 6, 2013.
Earth Flower Vase by Marti Gulxe, Studio Droog product website, Printed on Nov. 6, 2013.
Double Wall Glass Cup, product website, Printed on Nov. 6, 2013.
Double Wall Double Old-Fashioned, product website, Printed on Nov. 6, 2013.
Double Vase, All Modern product website, Printed on Nov. 6, 2013.

* cited by examiner

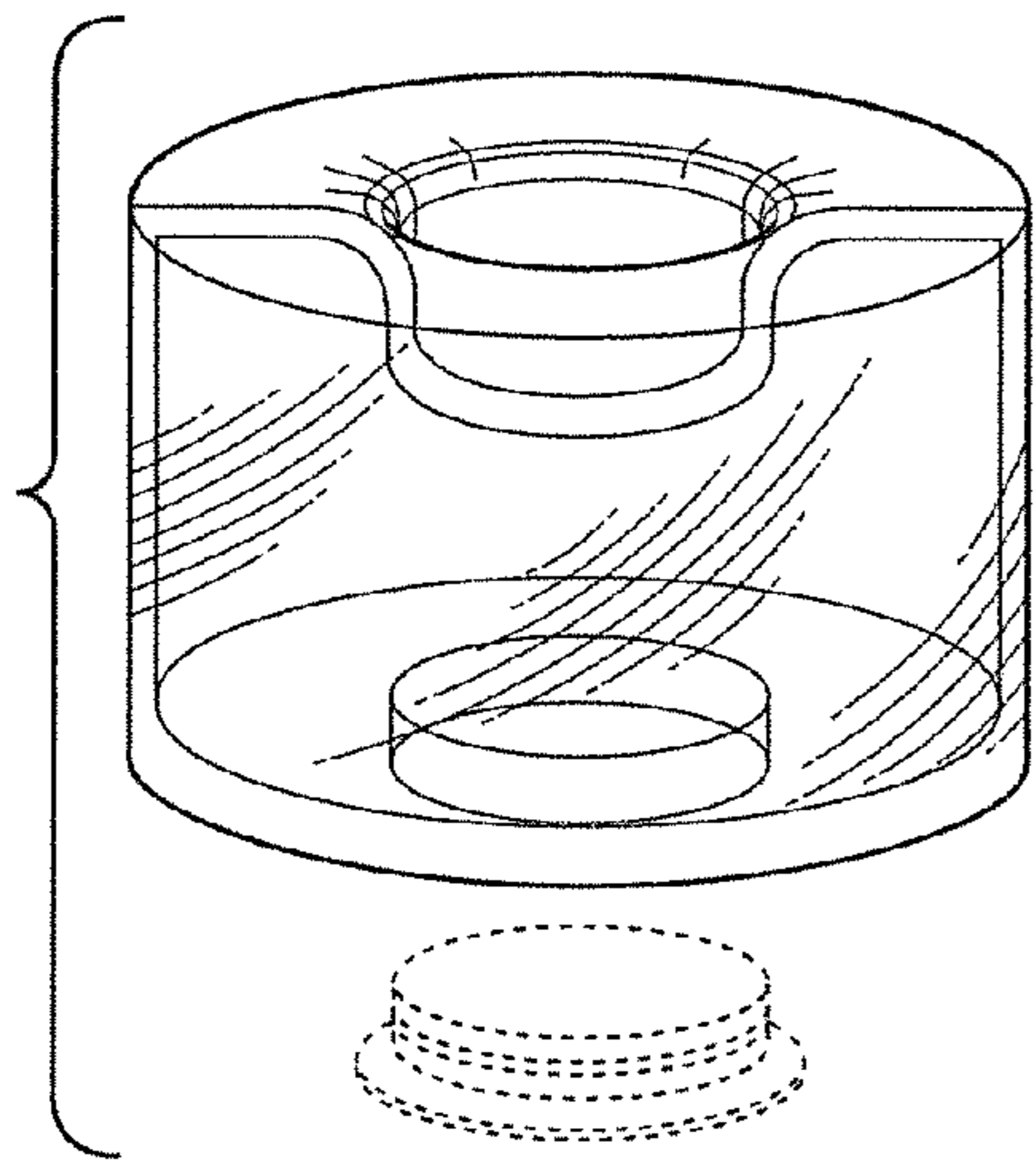


FIG. 1

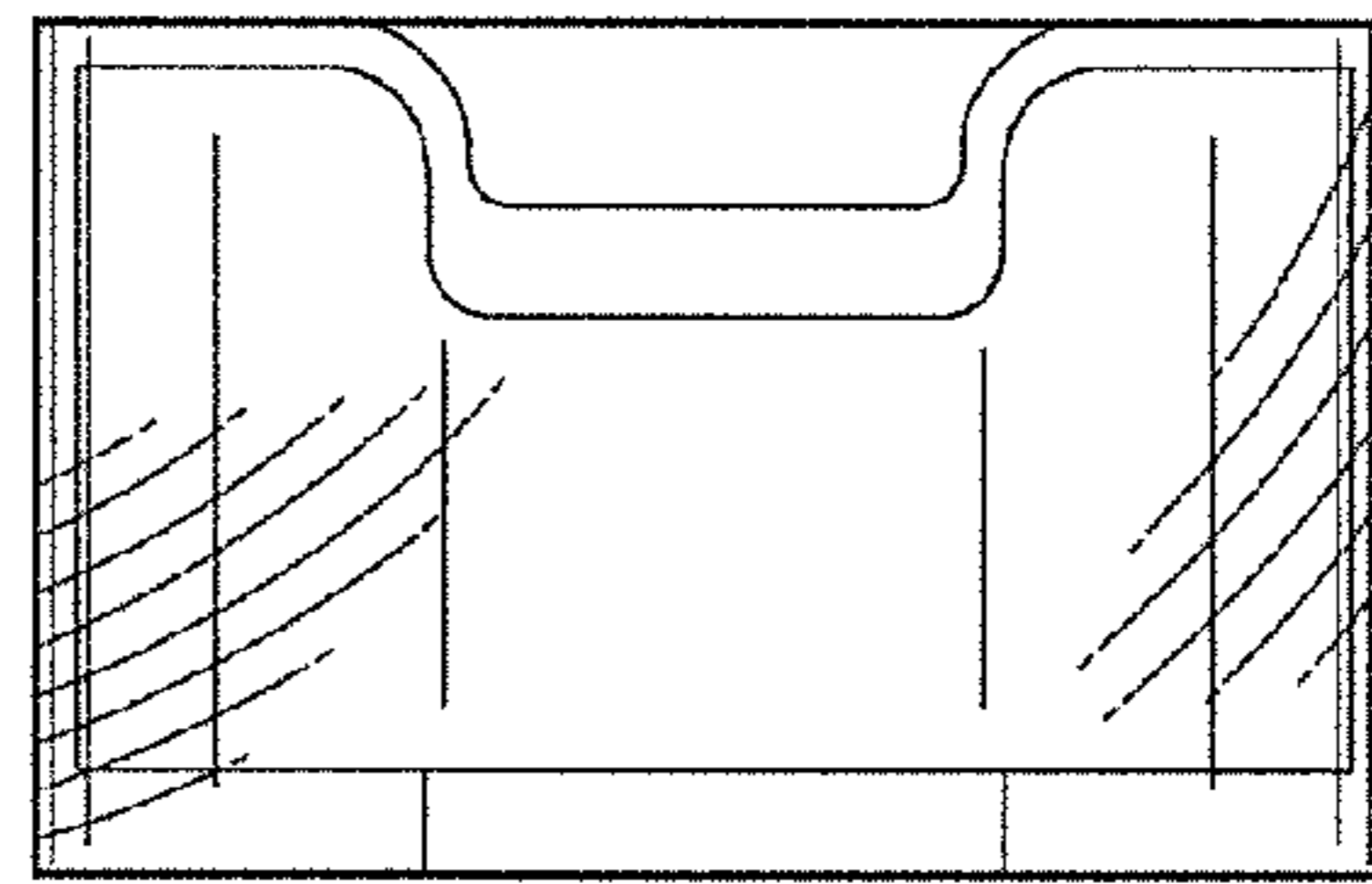


FIG. 2

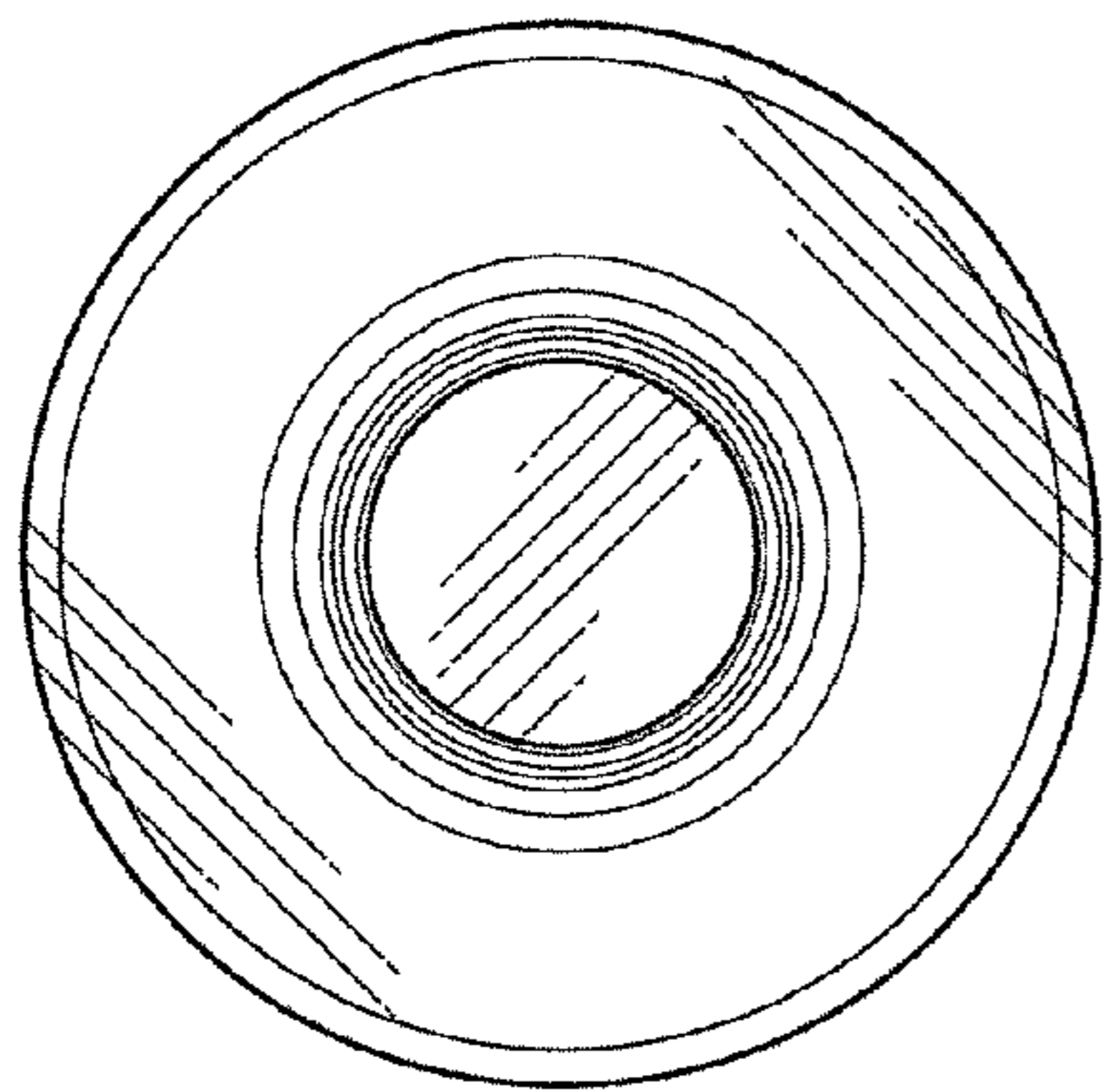


FIG. 3

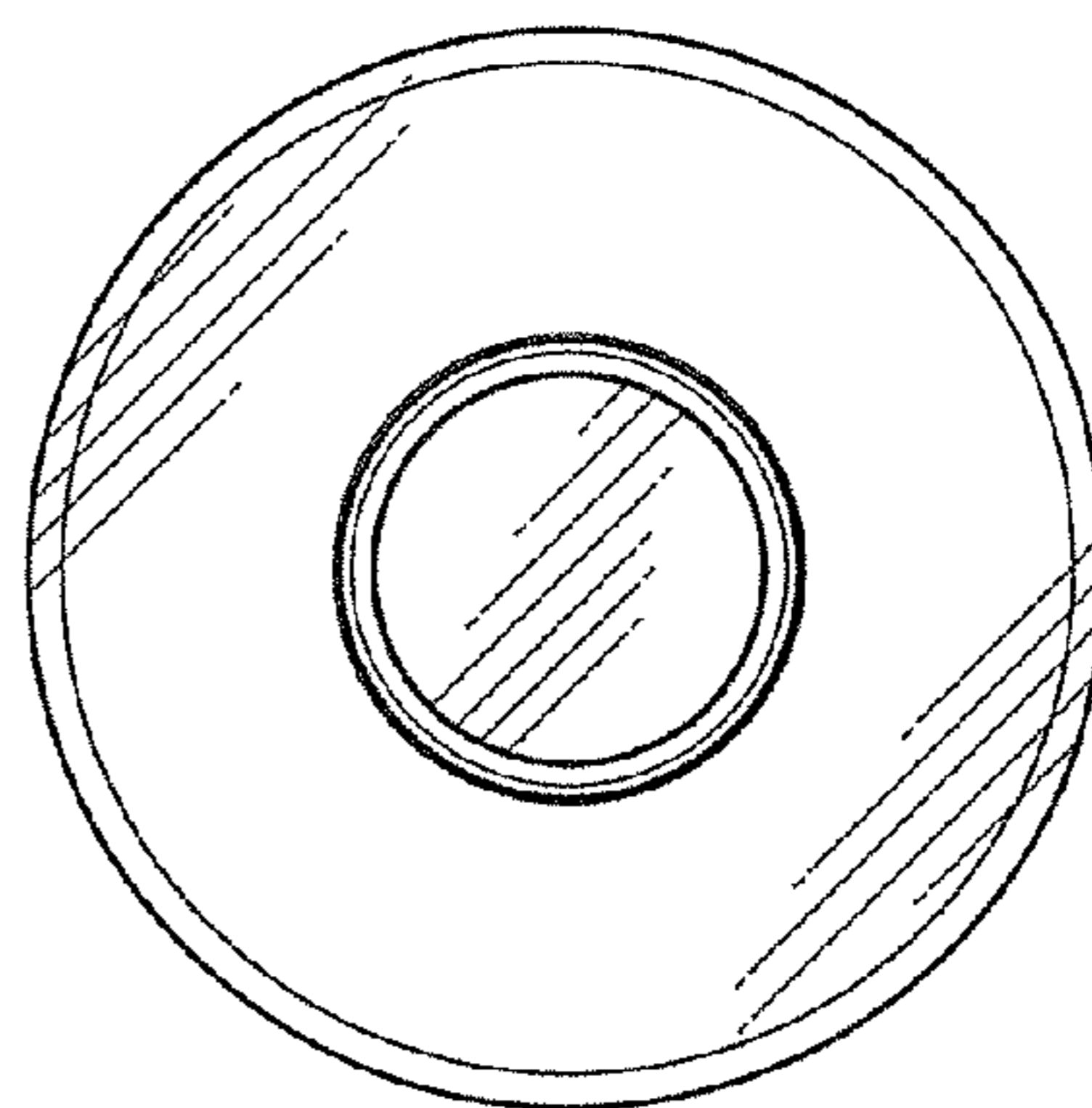


FIG. 4