



US00D742557S

(12) **United States Design Patent**
Yoshizawa et al.

(10) **Patent No.:** **US D742,557 S**
(45) **Date of Patent:** **** Nov. 3, 2015**

(54) **LED BULB**

(71) Applicant: **mitsubishi chemical corporation**, Tokyo (JP)

(72) Inventors: **Kouta Yoshizawa**, Tokyo (JP); **Hiroyuki Ooshima**, Tokyo (JP); **Akeo Kasakura**, Tokyo (JP)

(73) Assignee: **mitsubishi chemical corporation**, Tokyo (JP)

(**) Term: **14 Years**

(21) Appl. No.: **29/496,218**

(22) Filed: **Jul. 10, 2014**

(51) **LOC (10) Cl.** **26-04**

(52) **U.S. Cl.**
USPC **D26/2**

(58) **Field of Classification Search**
USPC D26/1-4; 313/313, 315, 316, 317, 318,
313/493; 315/52, 53, 56, 57, 58
See application file for complete search history.

(56) **References Cited**

U.S. PATENT DOCUMENTS

D535,038 S *	1/2007	Egawa et al.	D26/2
D582,578 S *	12/2008	Tsai et al.	D26/2
D584,838 S *	1/2009	To et al.	D26/2
D594,995 S *	6/2009	Komar	D26/2
D601,722 S *	10/2009	Foo	D26/2
D631,989 S *	2/2011	Bobel	D26/2
D635,280 S *	3/2011	Chao	D26/2
D640,805 S *	6/2011	Li et al.	D26/2
D644,355 S	8/2011	Layevsky et al.		
D645,579 S	9/2011	Layevsky et al.		

D645,580 S *	9/2011	Yoshinobu	D26/2
D657,075 S *	4/2012	Guohui	D26/2
D673,308 S *	12/2012	Tsai	D26/2
D683,866 S	6/2013	Zeng et al.		
D697,239 S	1/2014	Rupp et al.		

FOREIGN PATENT DOCUMENTS

JP	D1496141	4/2014
JP	D1496142	4/2014
JP	D1496849	5/2014
JP	D1496850	5/2014

* cited by examiner

Primary Examiner — Marcus Jackson

(74) *Attorney, Agent, or Firm* — Oblon, McClelland, Maier & Neustadt, L.L.P.

(57) **CLAIM**

The ornamental design for an LED bulb, as shown and described.

DESCRIPTION

FIG. 1 is a perspective view of front and bottom sides of an LED bulb showing our new design; FIG. 2 is a front view thereof; FIG. 3 is a rear view thereof; FIG. 4 is a left side view thereof; FIG. 5 is a right side view thereof; FIG. 6 is a top view thereof; and, FIG. 7 is a bottom view thereof.

The broken lines shown are included for the purpose of illustrating the unclaimed portions of an LED bulb and form no part of the claimed design.

1 Claim, 7 Drawing Sheets

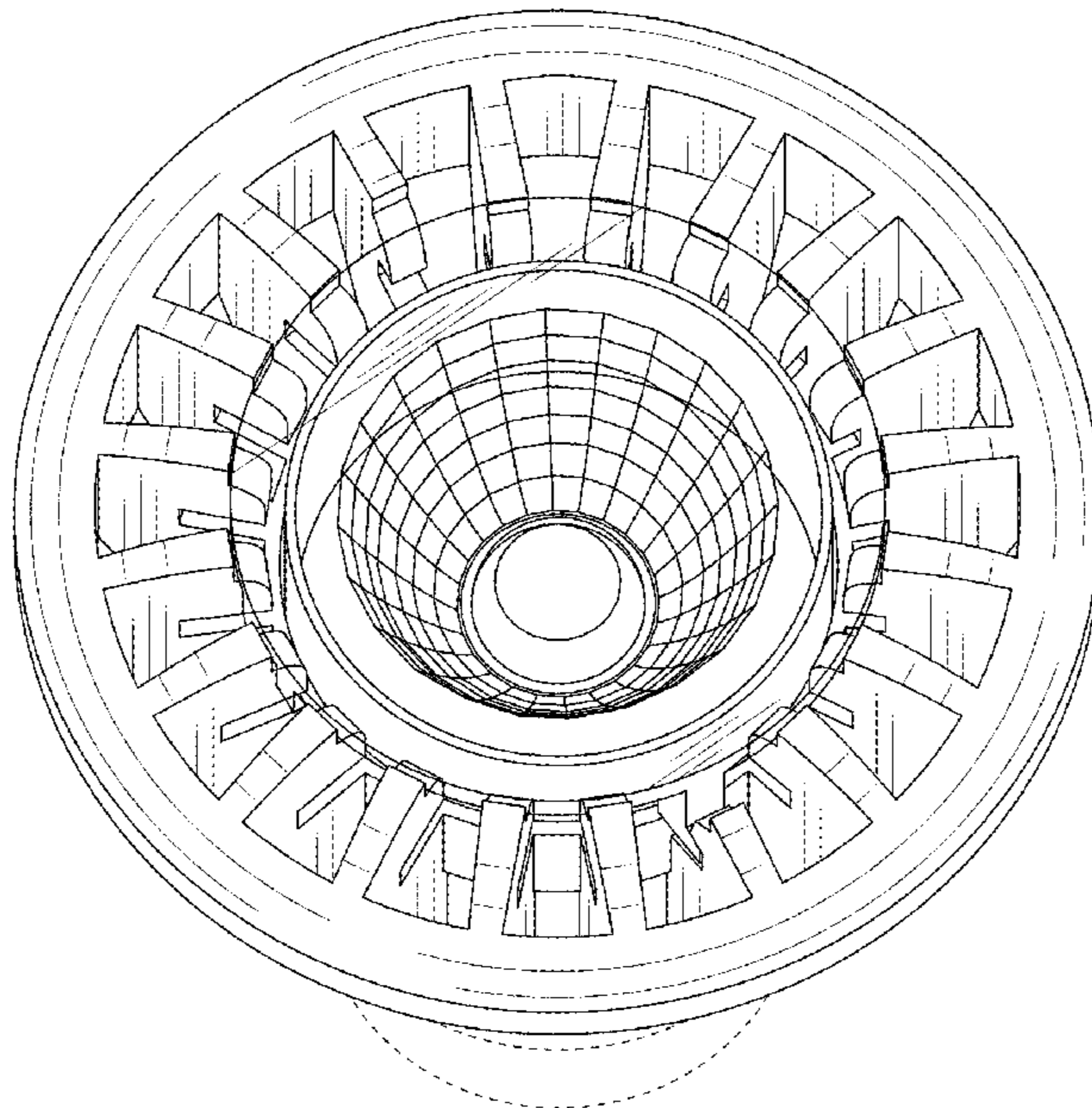


Fig. 1

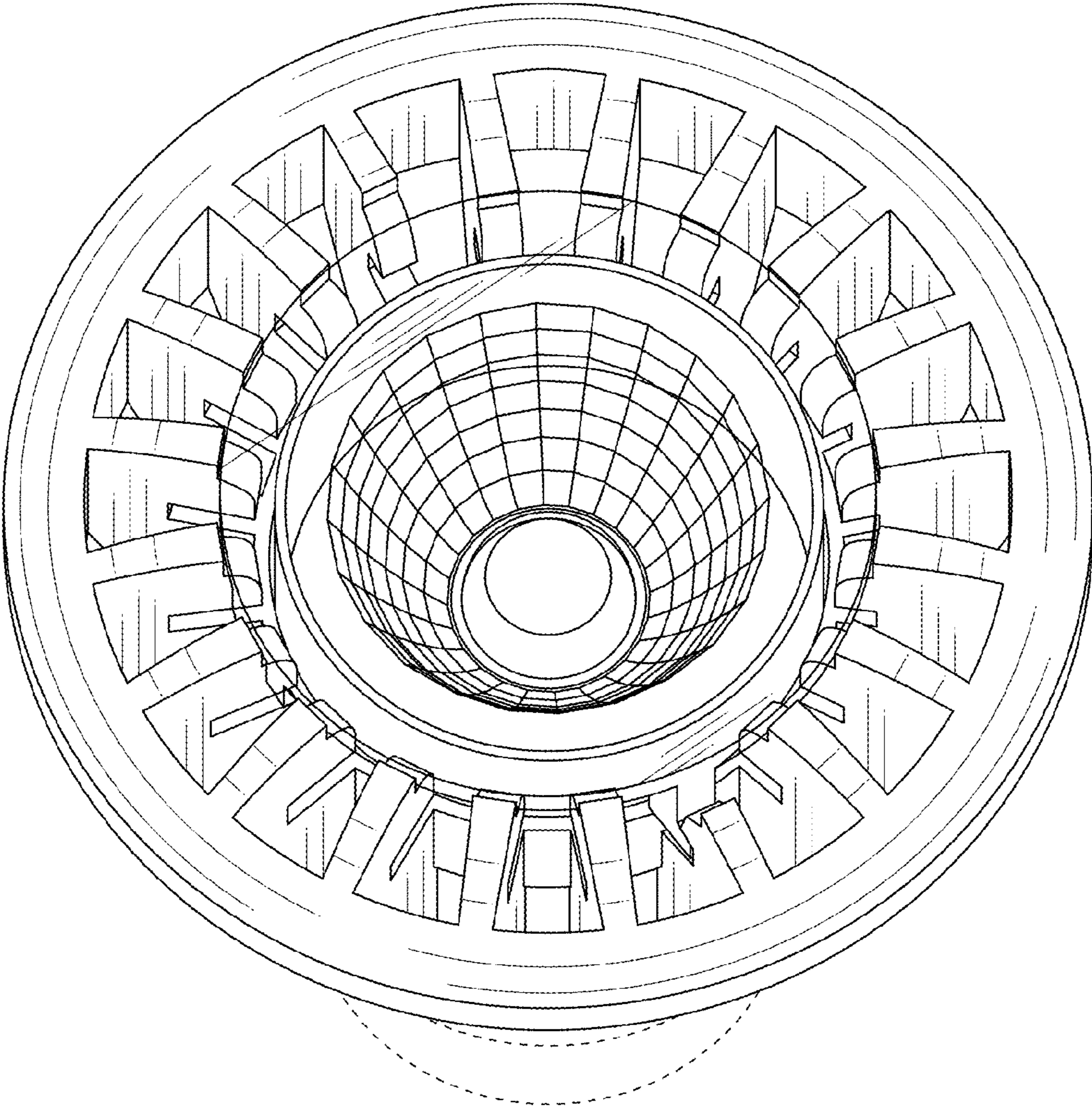


Fig. 2

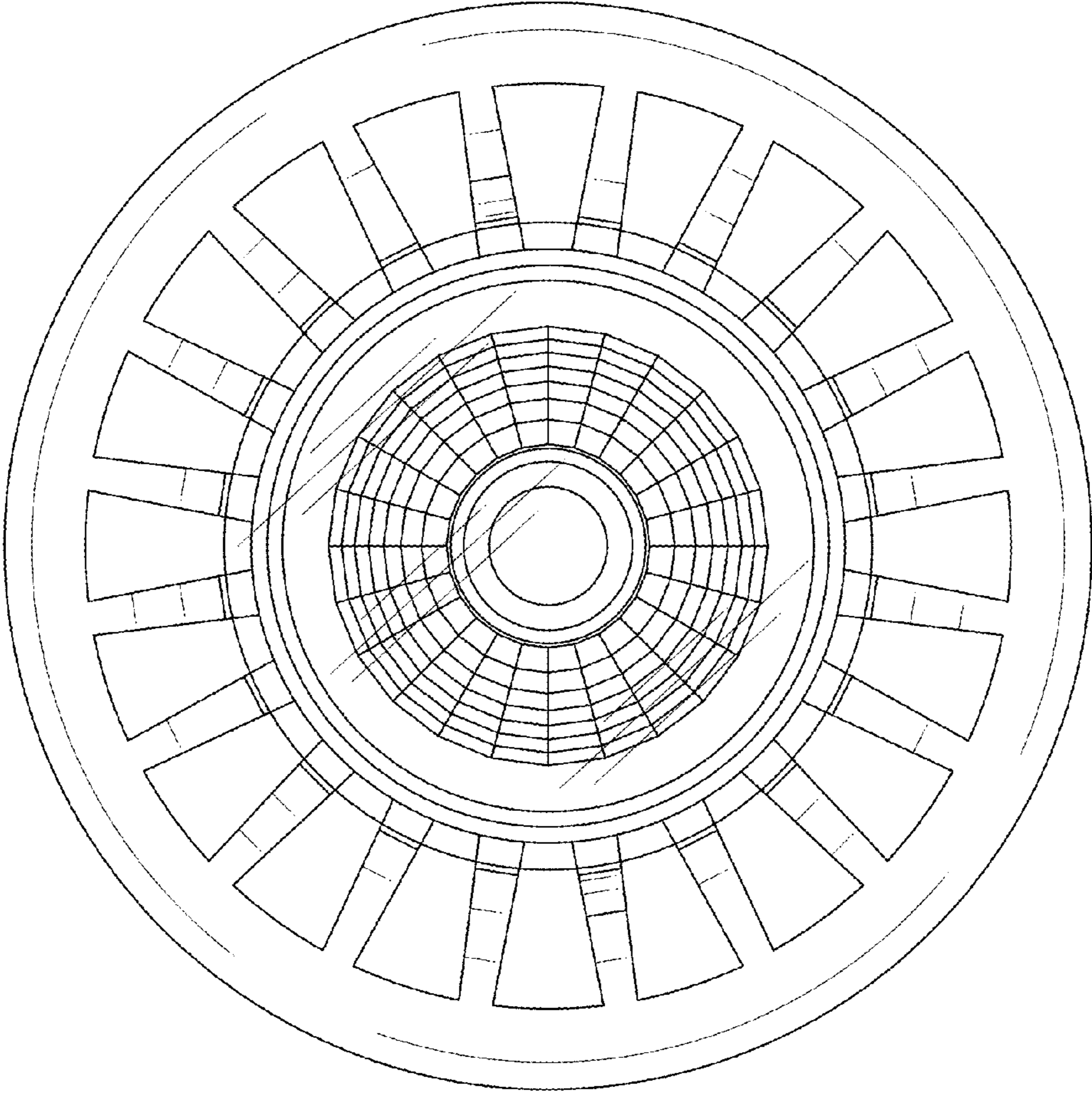


Fig. 3

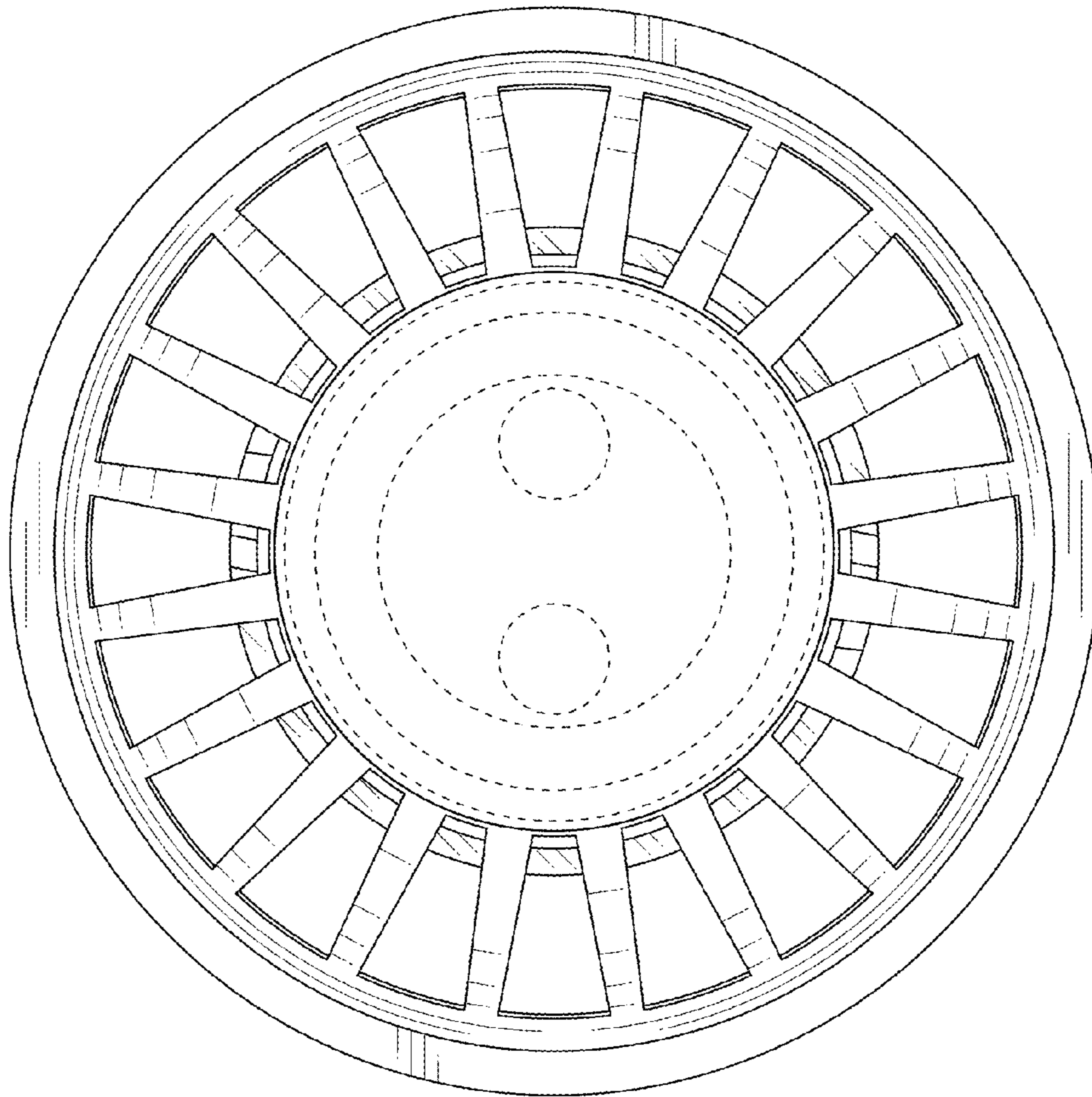


Fig. 4

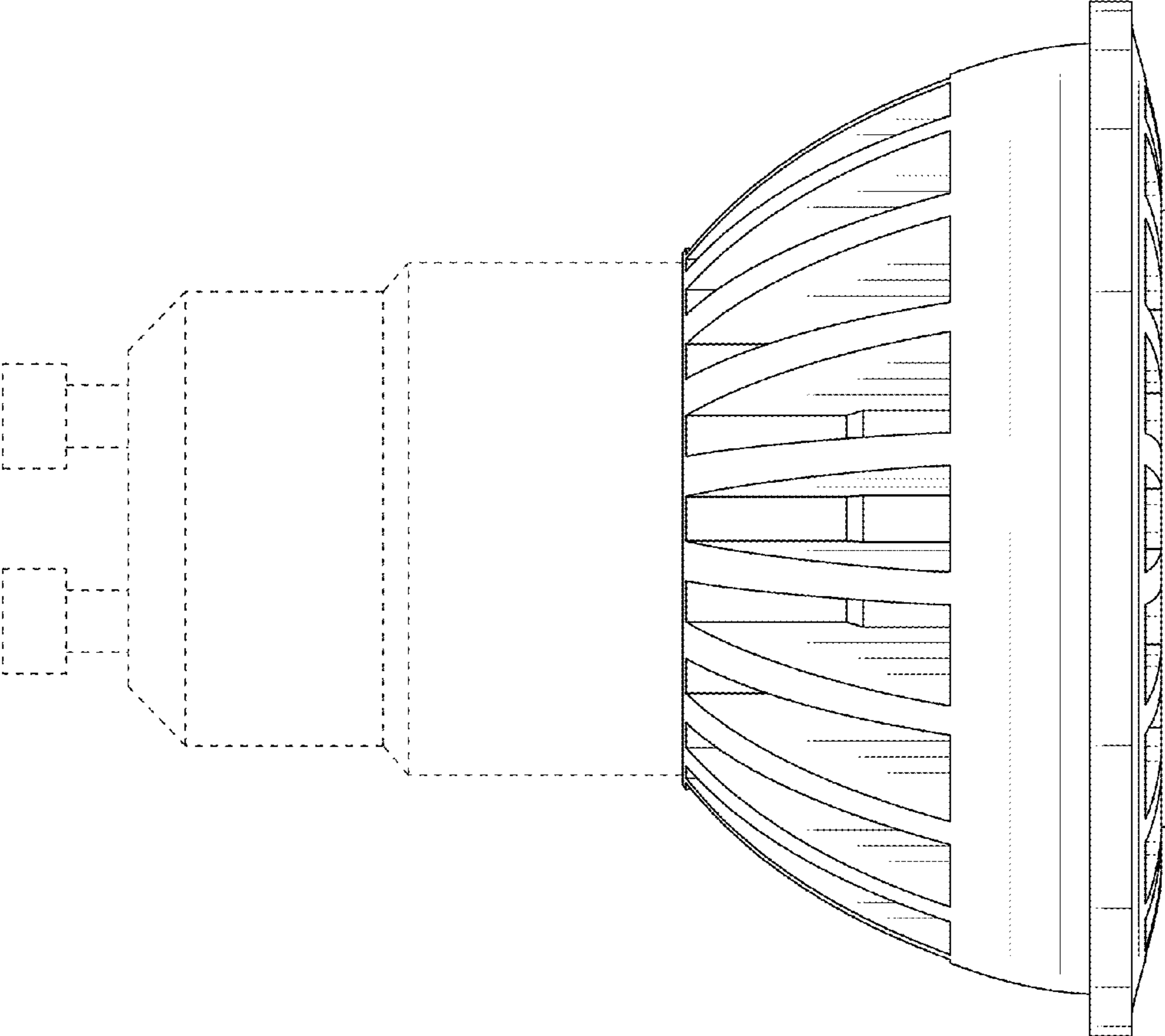


Fig. 5

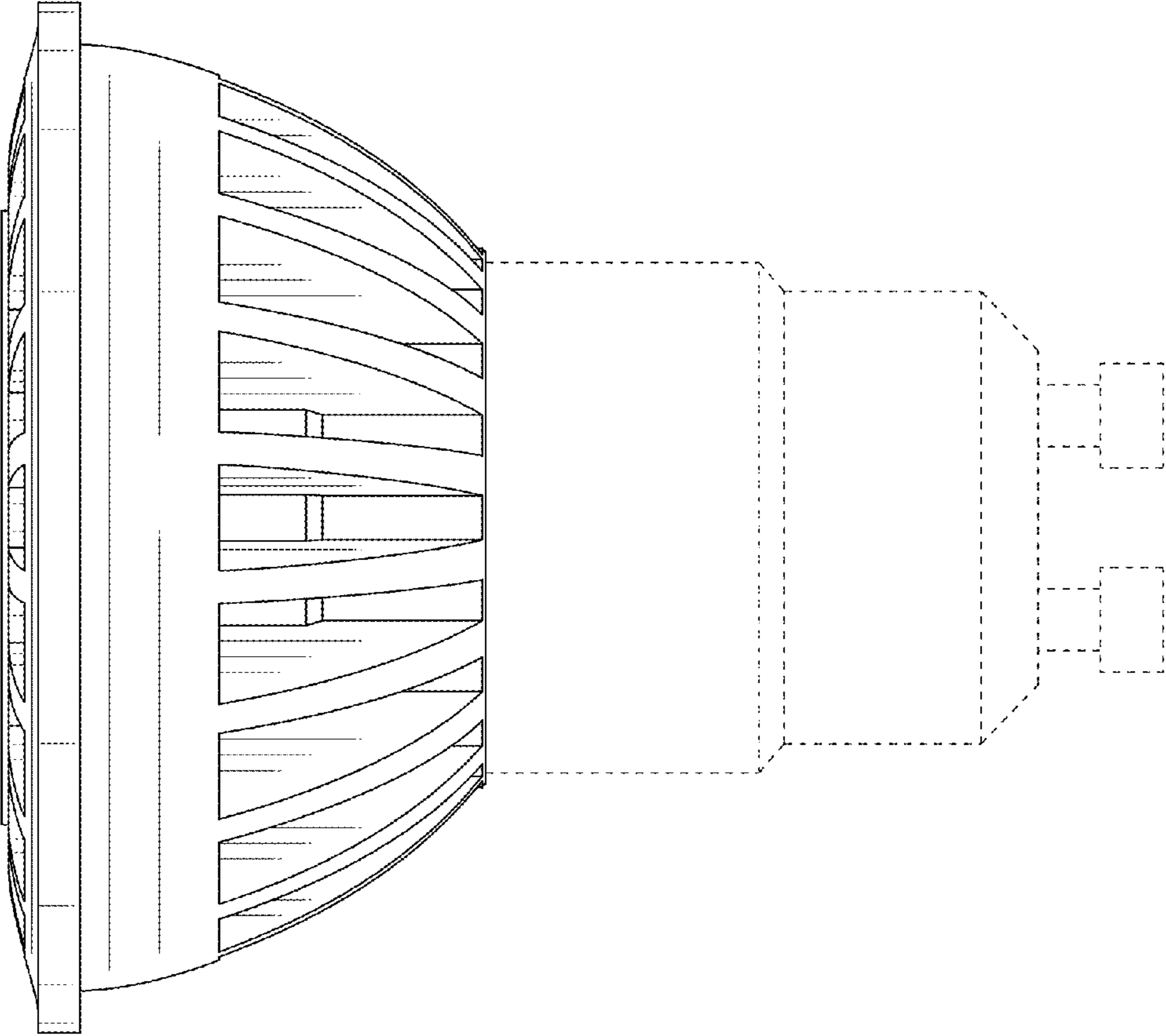


Fig. 6

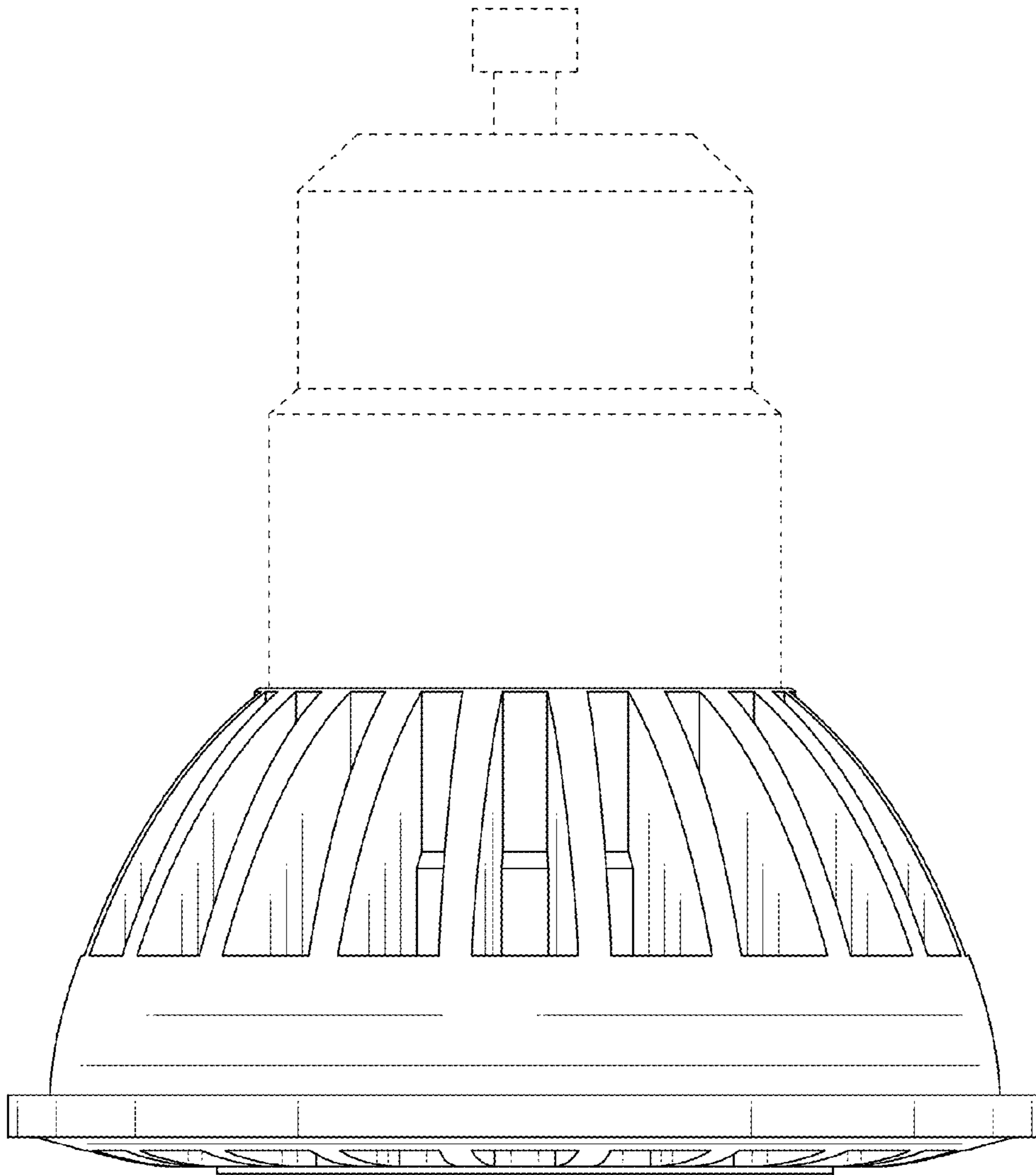


Fig. 7

