

US00D742556S

(12) **United States Design Patent**
Hwang et al.

(10) **Patent No.:** **US D742,556 S**

(45) **Date of Patent:** **** Nov. 3, 2015**

(54) **LED ELECTRIC BULB**

(71) Applicant: **Samsung Electronics Co., Ltd.**,
Suwon-si (KR)

(72) Inventors: **Won-Chul Hwang**, Seoul (KR);
Hwan-Woong Choi, Seoul (KR)

(73) Assignee: **SAMSUNG ELECTRONICS CO., LTD.** (KR)

(**) Term: **14 Years**

(21) Appl. No.: **29/494,747**

(22) Filed: **Jun. 24, 2014**

(30) **Foreign Application Priority Data**

Dec. 27, 2013 (KR) 30-2013-0065637

(51) **LOC (10) Cl.** **26-04**

(52) **U.S. Cl.**
USPC **D26/2**

(58) **Field of Classification Search**
USPC D26/1-4, 113, 118; 313/313, 315, 316,
313/317, 318, 493, 501; 315/52, 53, 56, 57,
315/58; 1/1; 362/547
CPC F21K 9/135; F21K 9/1375; F21K 9/13
See application file for complete search history.

(56) **References Cited**

U.S. PATENT DOCUMENTS

D391,650 S * 3/1998 Hetzel et al. D26/3
D614,319 S * 4/2010 Murakami D26/2
7,758,223 B2 * 7/2010 Osawa et al. 362/547
D627,904 S * 11/2010 Jiang D26/2

D628,315 S * 11/2010 Yamamoto et al. D26/2
D635,281 S * 3/2011 Murakami et al. D26/2
D643,550 S * 8/2011 Murakami et al. D26/2
D644,760 S * 9/2011 Murakami et al. D26/2
D644,762 S * 9/2011 Murakami et al. D26/2
D646,804 S * 10/2011 Murakami et al. D26/2
D646,812 S * 10/2011 Uemoto et al. D26/2
D660,470 S * 5/2012 Mase et al. D26/2
D660,471 S * 5/2012 Mase et al. D26/2
D660,992 S * 5/2012 Mase et al. D26/2
D661,823 S * 6/2012 Uneo et al. D26/2
D688,395 S * 8/2013 Bukkems et al. D26/2
D714,973 S * 10/2014 Ye et al. D26/2
9,052,093 B2 * 6/2015 Pickard et al. 1/1

* cited by examiner

Primary Examiner — Ian Simmons

Assistant Examiner — Harold Blackwell, II

(74) *Attorney, Agent, or Firm* — Cantor Colburn LLP

(57) **CLAIM**

The ornamental design for an LED electric bulb, as shown and described.

DESCRIPTION

FIG. 1 is a perspective view of an LED electric bulb, showing our new design;
FIG. 2 is a front elevation view thereof;
FIG. 3 is a rear elevation view thereof;
FIG. 4 is a side elevation view thereof;
FIG. 5 is a another side elevation view thereof;
FIG. 6 is a top plan view thereof; and,
FIG. 7 is a bottom plan view thereof.
The broken lines in the drawings illustrate portions of the LED electric bulb which form no part of the claimed design.

1 Claim, 7 Drawing Sheets

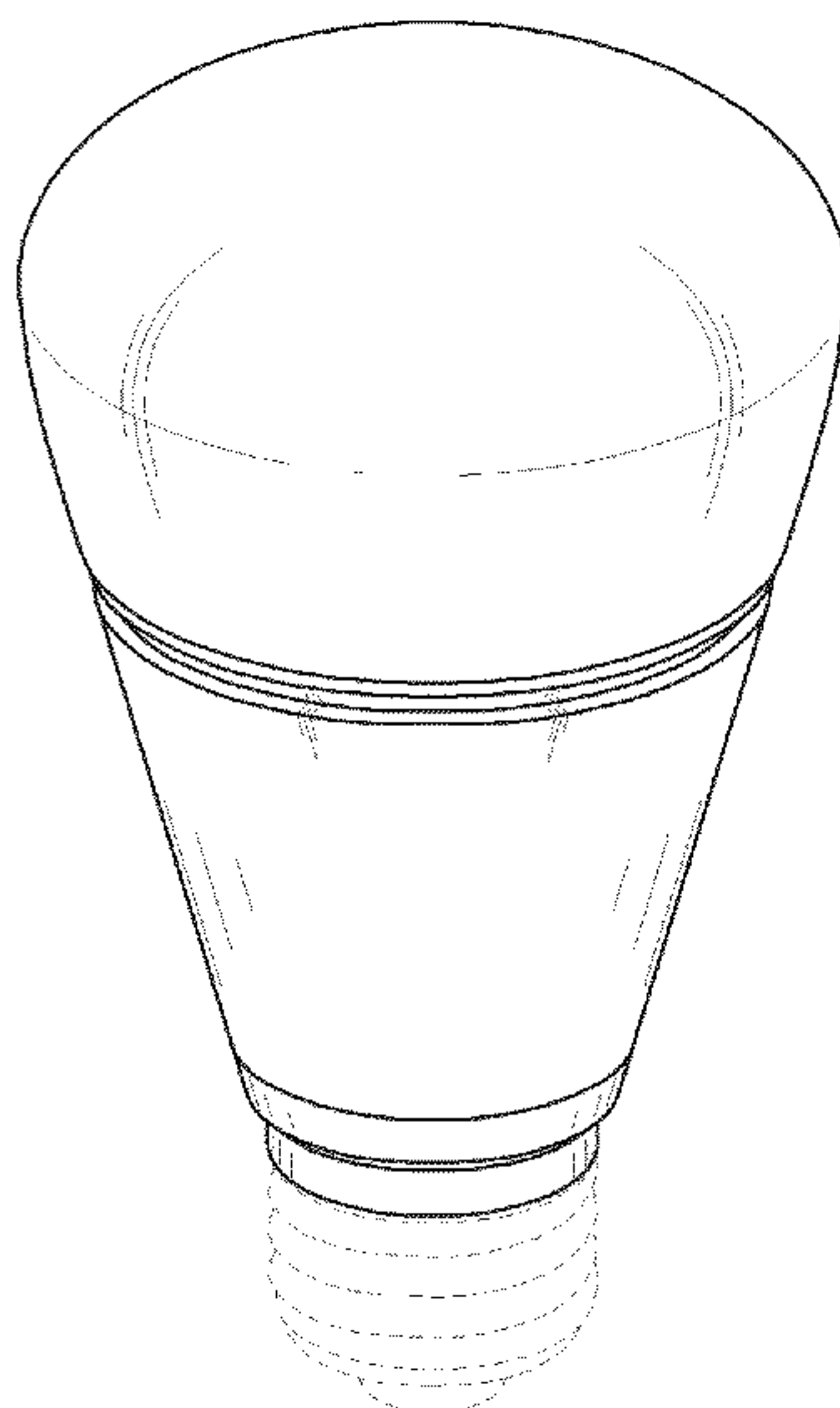


FIG. 1



FIG. 2

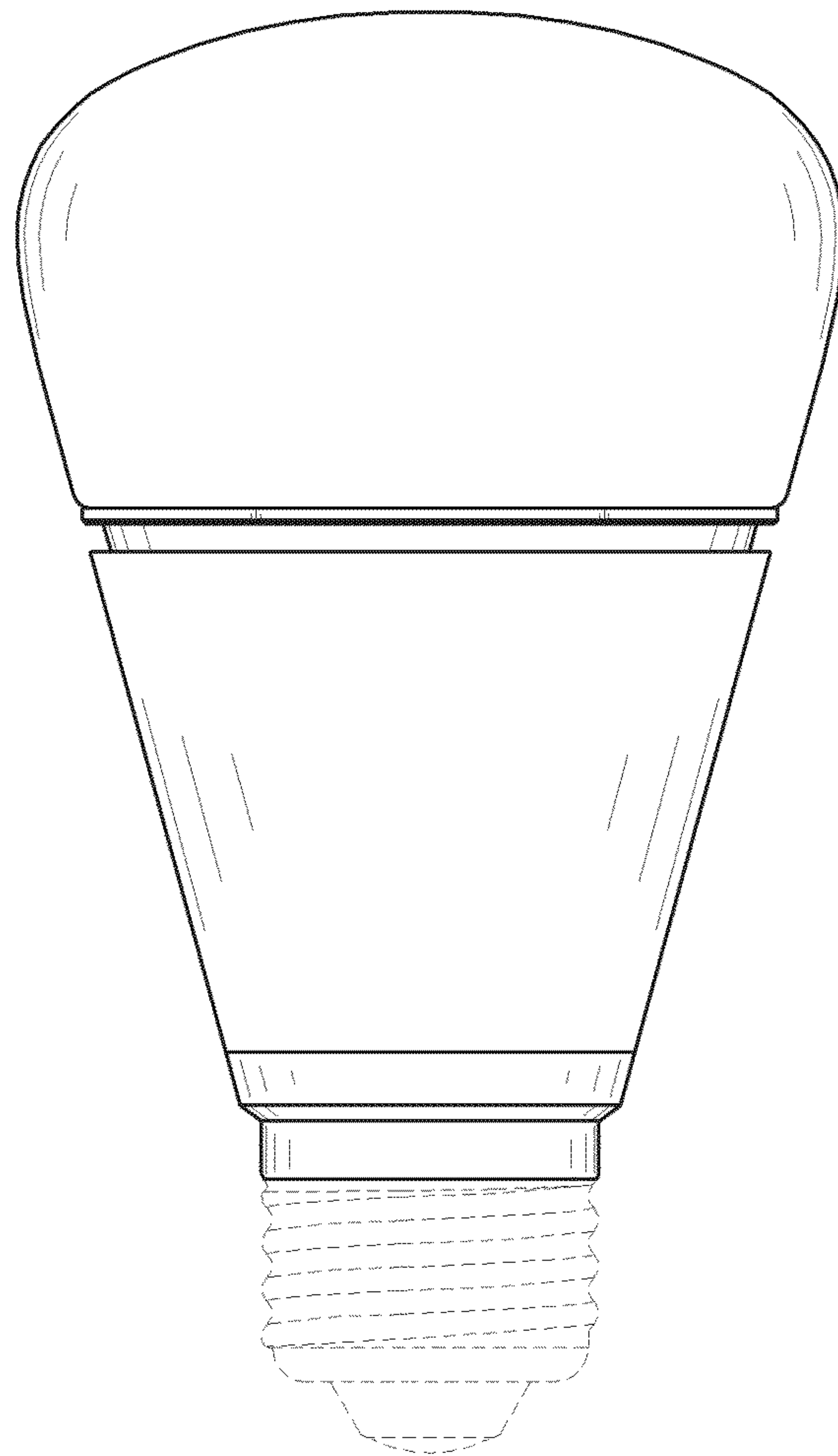


FIG. 3

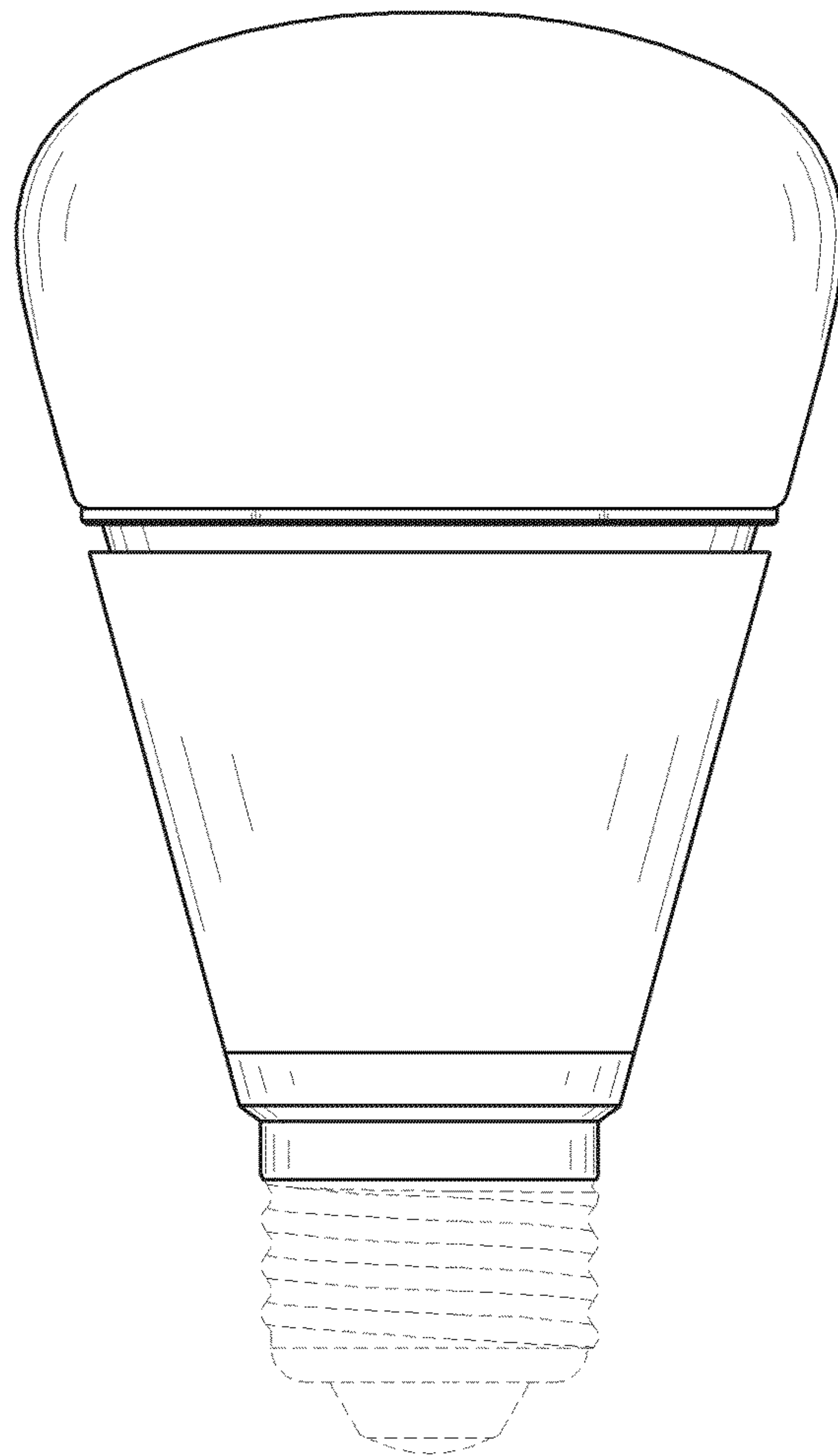


FIG. 4

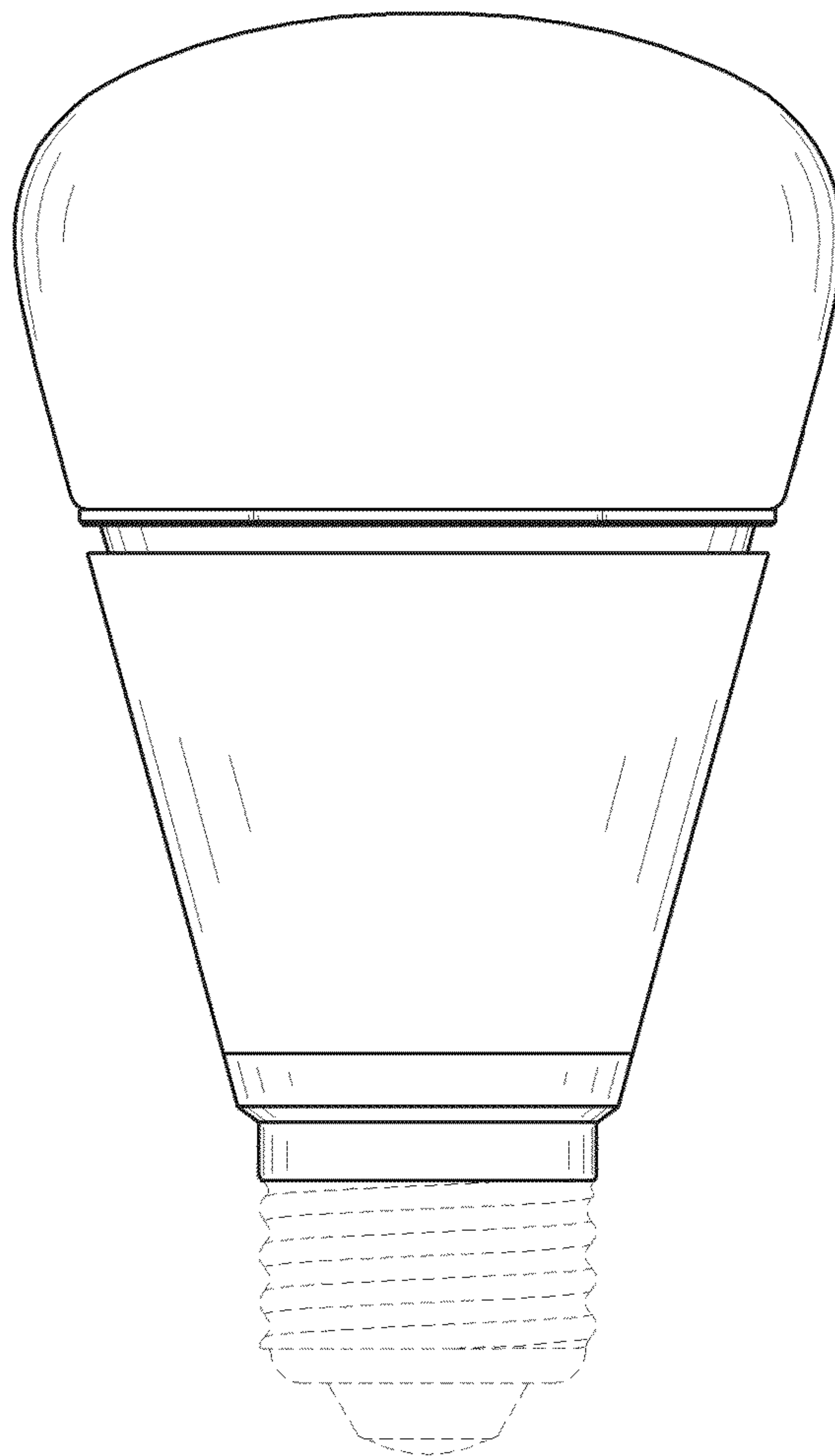


FIG. 5

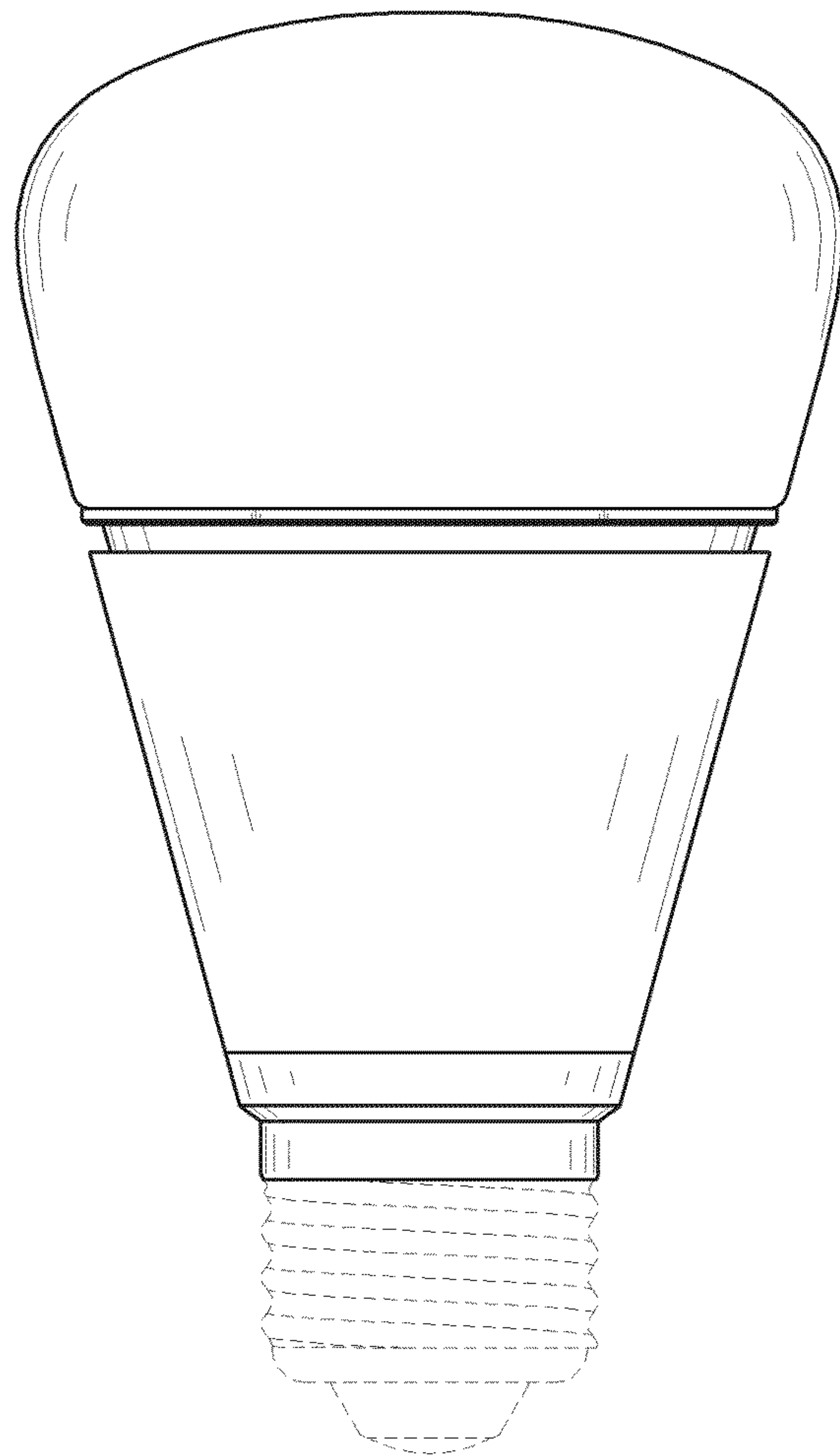


FIG. 6

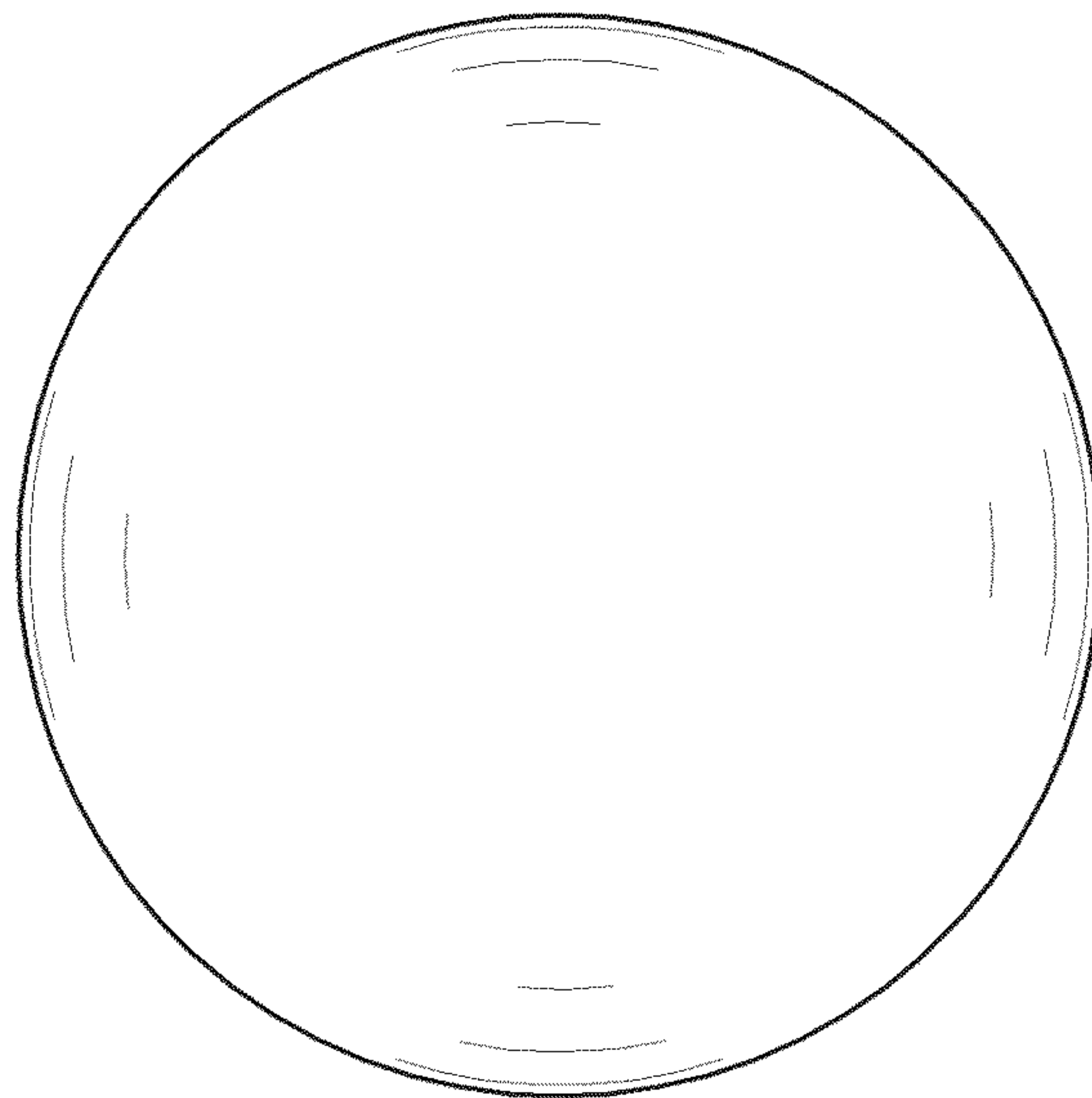


FIG. 7

