



US00D742555S

(12) **United States Design Patent**
Shum et al.

(10) **Patent No.:** **US D742,555 S**

(45) **Date of Patent:** **** Nov. 3, 2015**

(54) **LED LAMP**

(71) Applicant: **SORAA, INC.**, Fremont, CA (US)

(72) Inventors: **Frank Shum**, Fremont, CA (US);
Ronald Randall Van Thiel, Fremont,
CA (US)

(73) Assignee: **Soraa, Inc.**, Fremont, CA (US)

(**) Term: **14 Years**

(21) Appl. No.: **29/475,769**

(22) Filed: **Dec. 6, 2013**

(51) **LOC (10) Cl.** **26-04**

(52) **U.S. Cl.**
USPC **D26/2**

(58) **Field of Classification Search**
USPC D26/1-4; 313/313, 315, 316, 317, 318,
313/493; 315/52, 53, 56, 57, 58
See application file for complete search history.

(56) **References Cited**

U.S. PATENT DOCUMENTS

D542,943 S * 5/2007 Wang D26/2
D544,110 S * 6/2007 Hooker et al. D26/2

D546,980 S * 7/2007 Lo D26/2
D547,886 S * 7/2007 Foo D26/2
D549,854 S * 8/2007 Takahashi D26/2
D566,300 S * 4/2008 Lo D26/2
D582,579 S * 12/2008 Tsai et al. D26/2

* cited by examiner

Primary Examiner — Marcus Jackson

(74) *Attorney, Agent, or Firm* — Saul Ewing LLP

(57) **CLAIM**

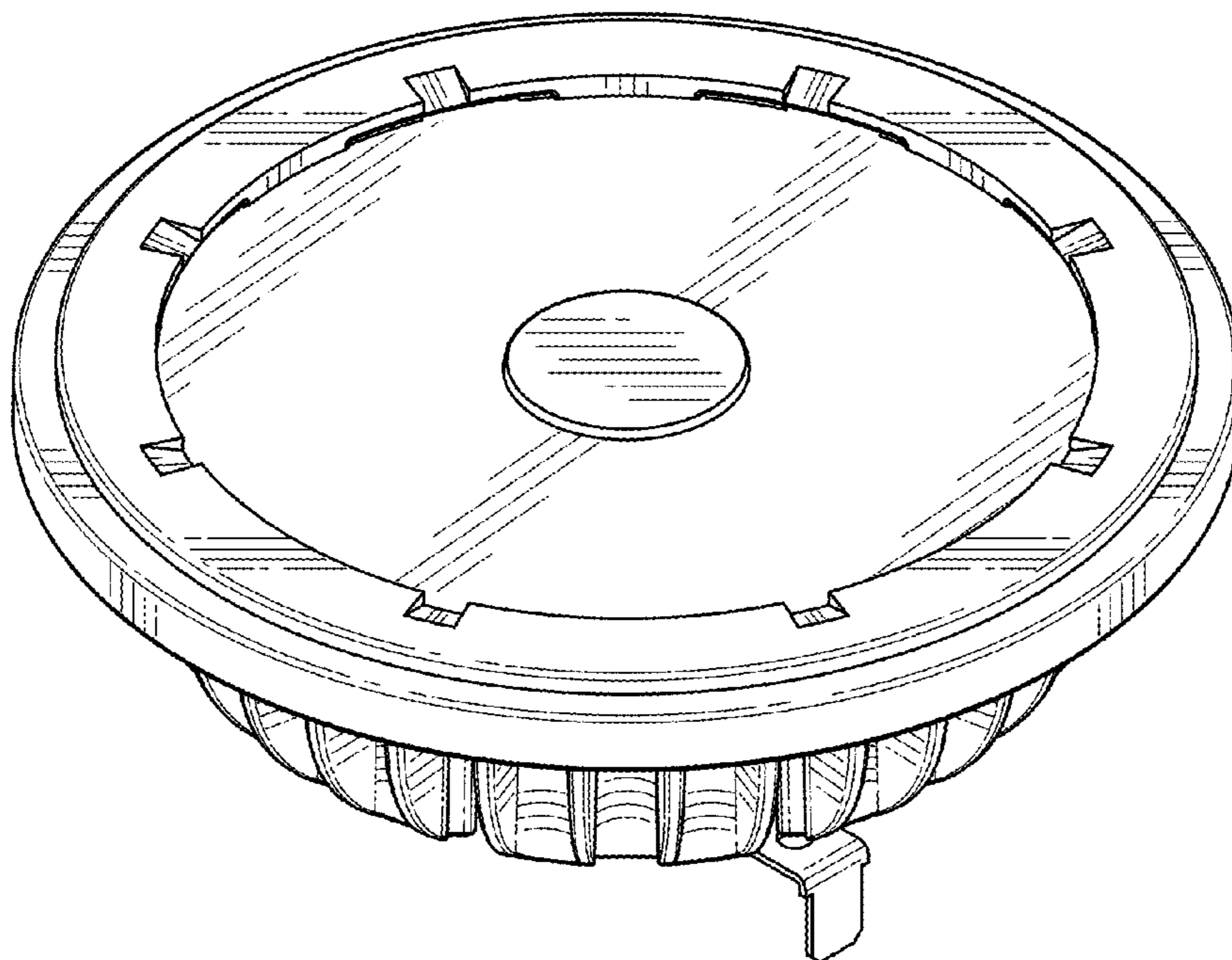
The ornamental design for LED lamp, as shown and described.

DESCRIPTION

FIG. 1 is a perspective view of an LED lamp showing a first embodiment of our new design;
FIG. 2 is a side elevational view from a front side thereof;
FIG. 3 is a side elevational view from a rear side thereof;
FIG. 4 is a side elevational view from a left side thereof;
FIG. 5 is a side elevational view from a right side thereof;
FIG. 6 is a top plan view thereof; and,
FIG. 7 is a bottom plan view thereof.

The broken lines in the figures represent unclaimed subject matter and form no part of the claimed design.

1 Claim, 7 Drawing Sheets



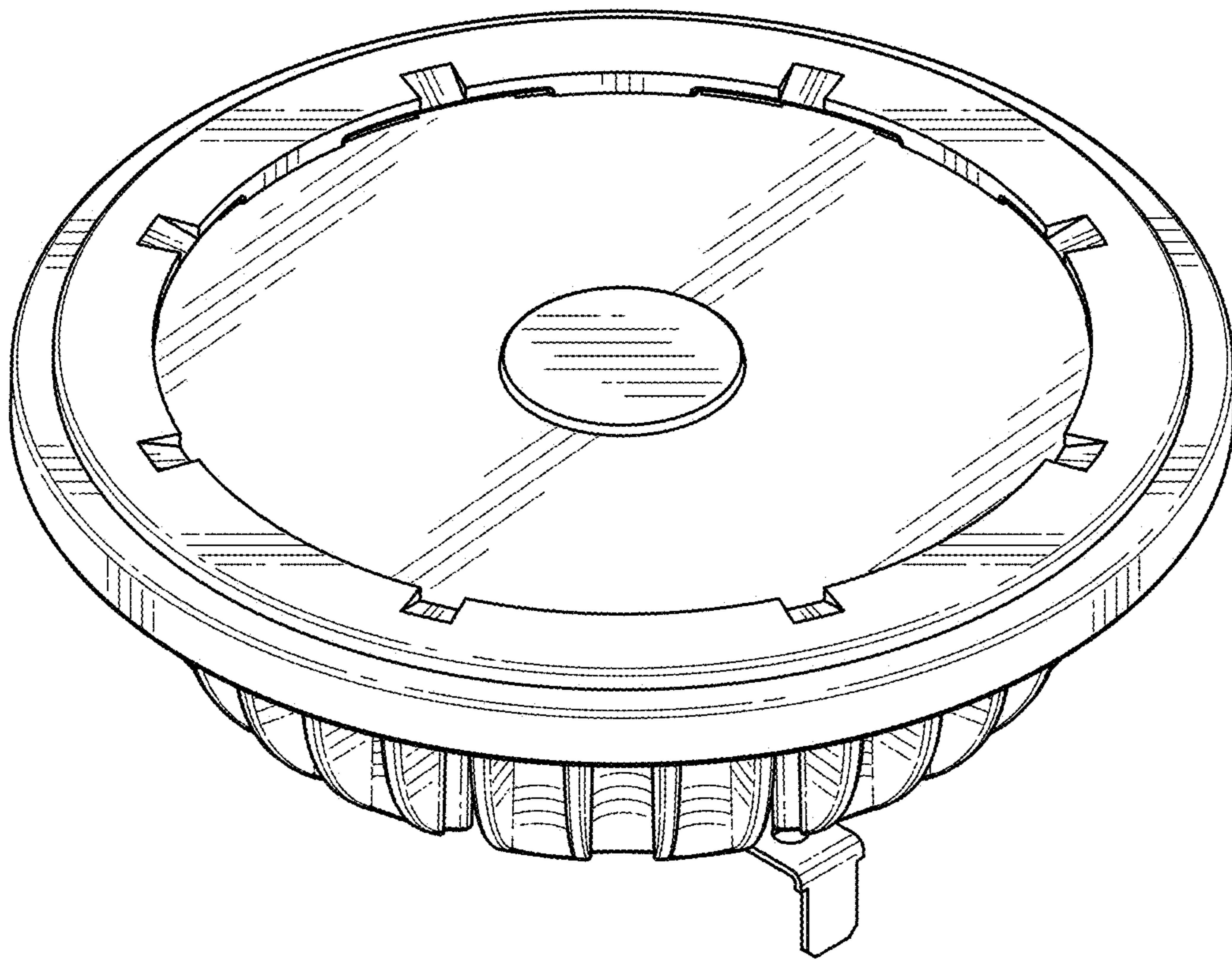


FIG. 1

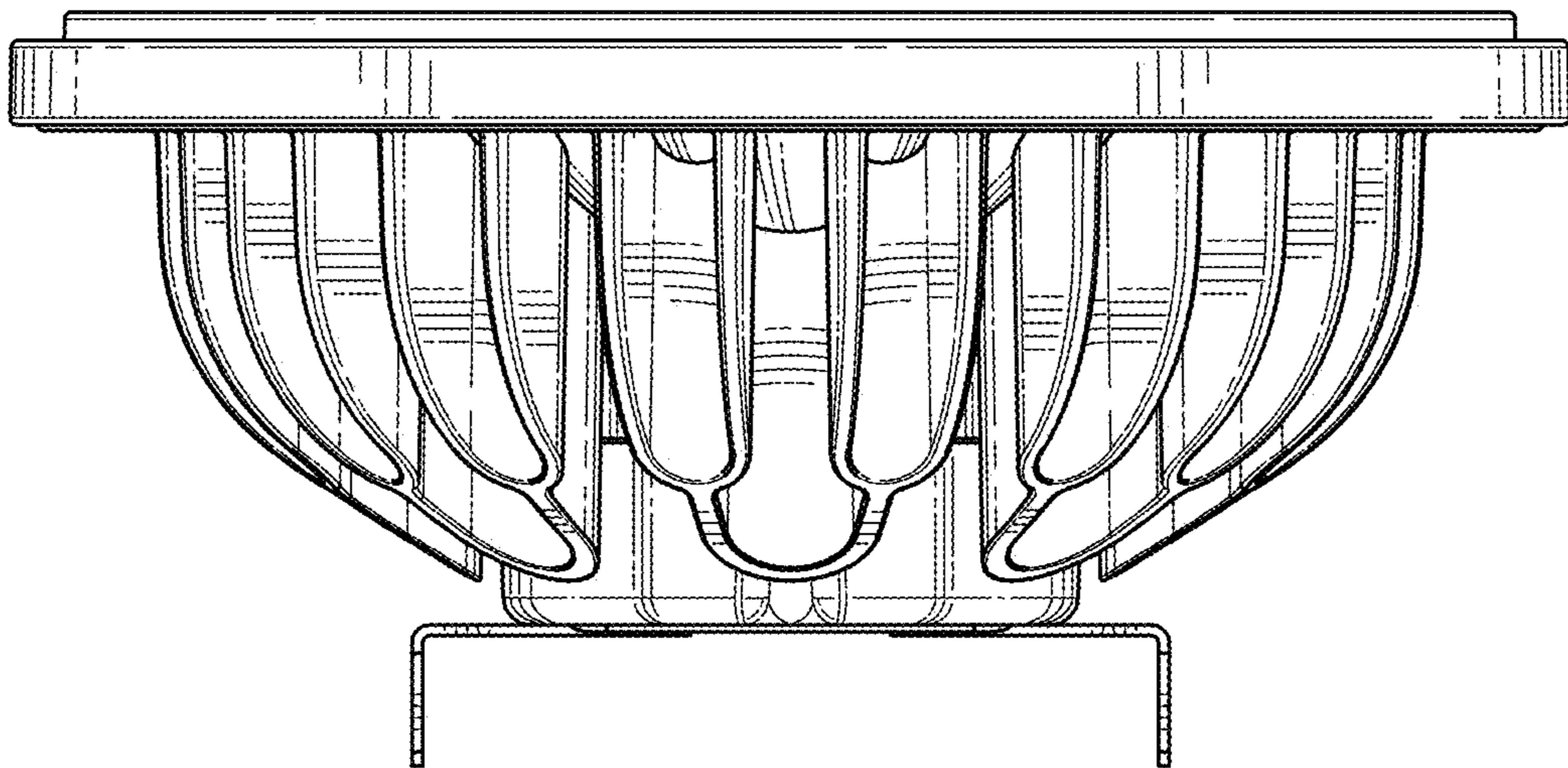


FIG. 2

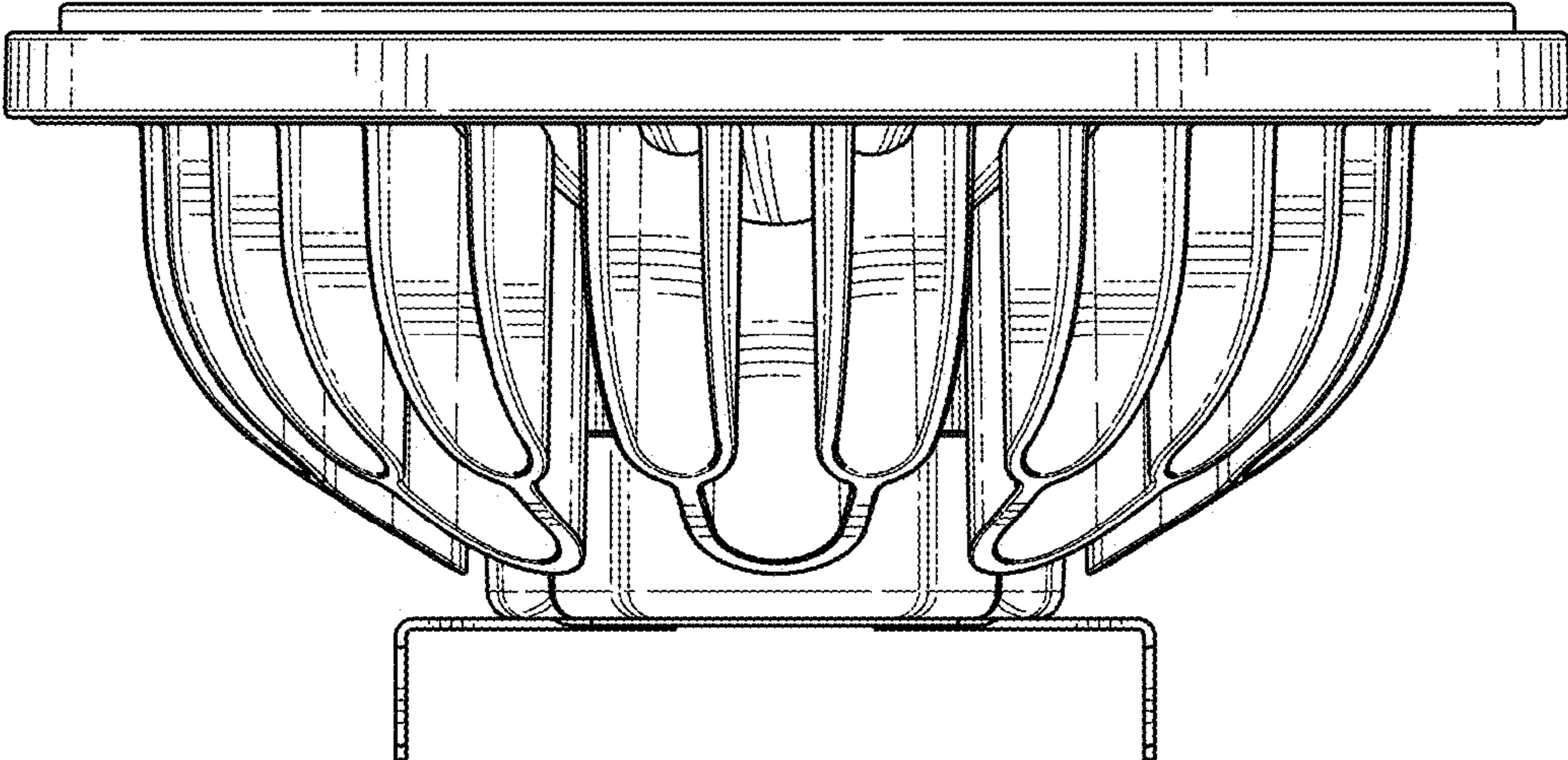


FIG. 3

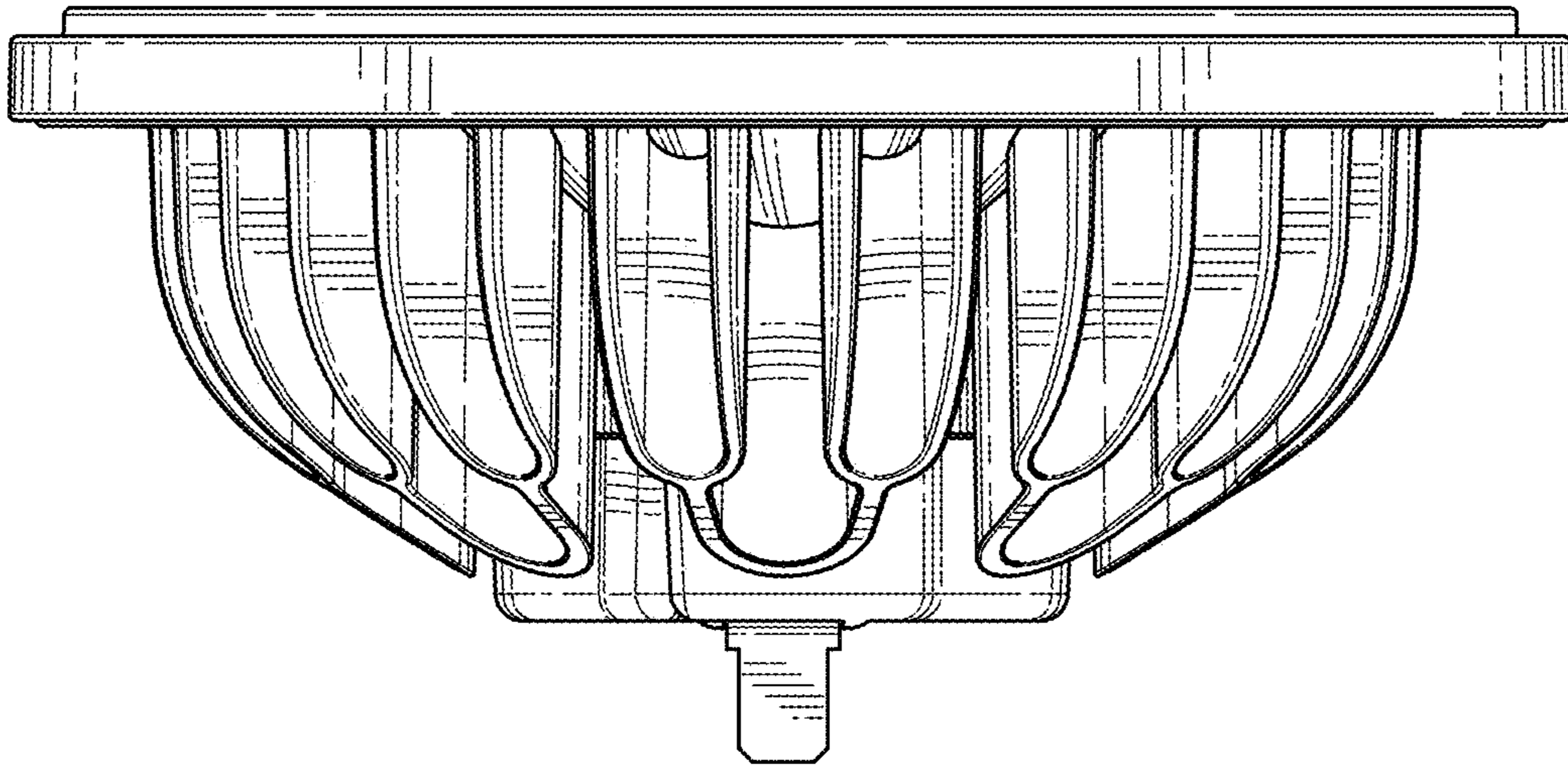


FIG. 4

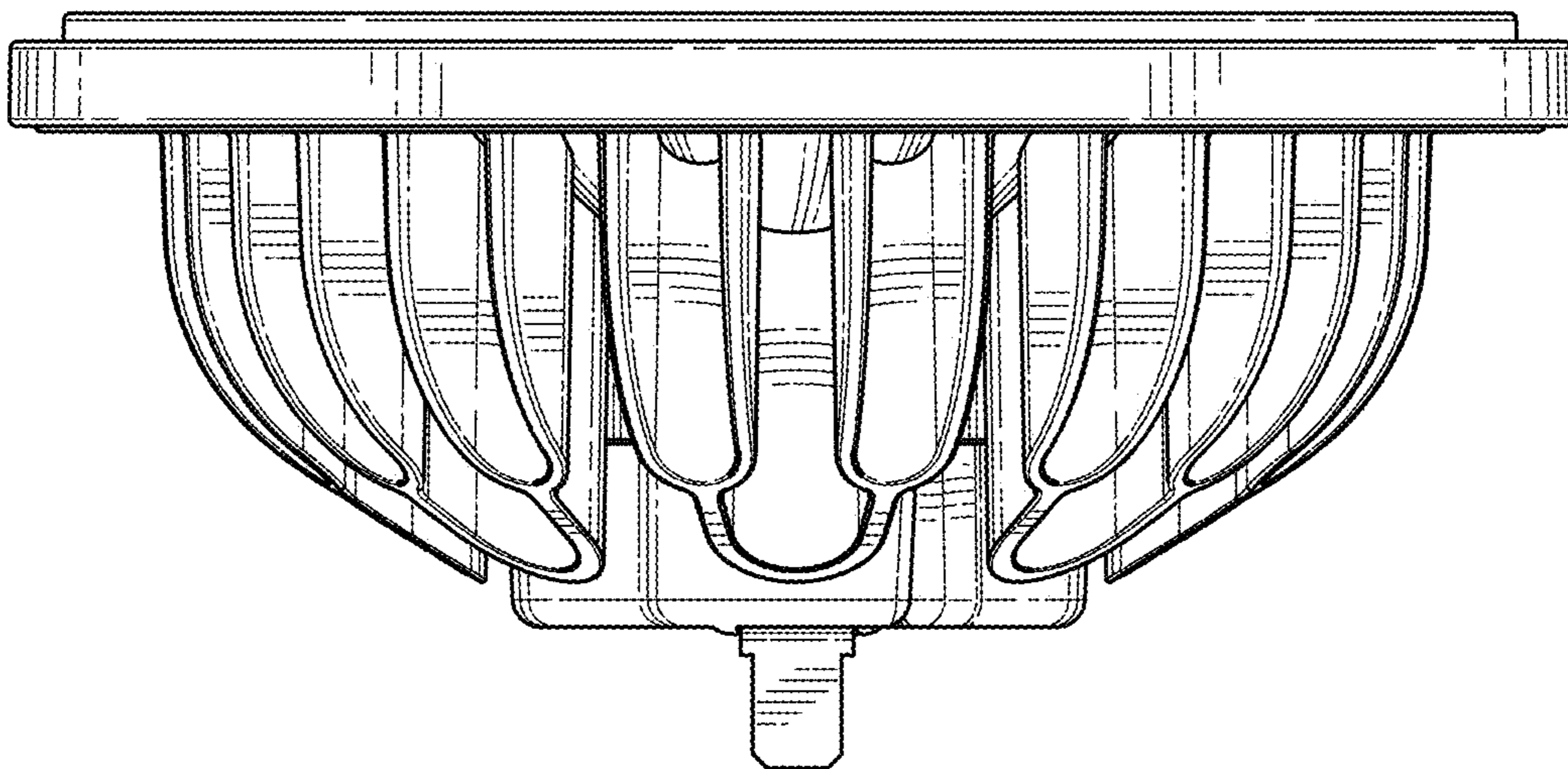


FIG. 5

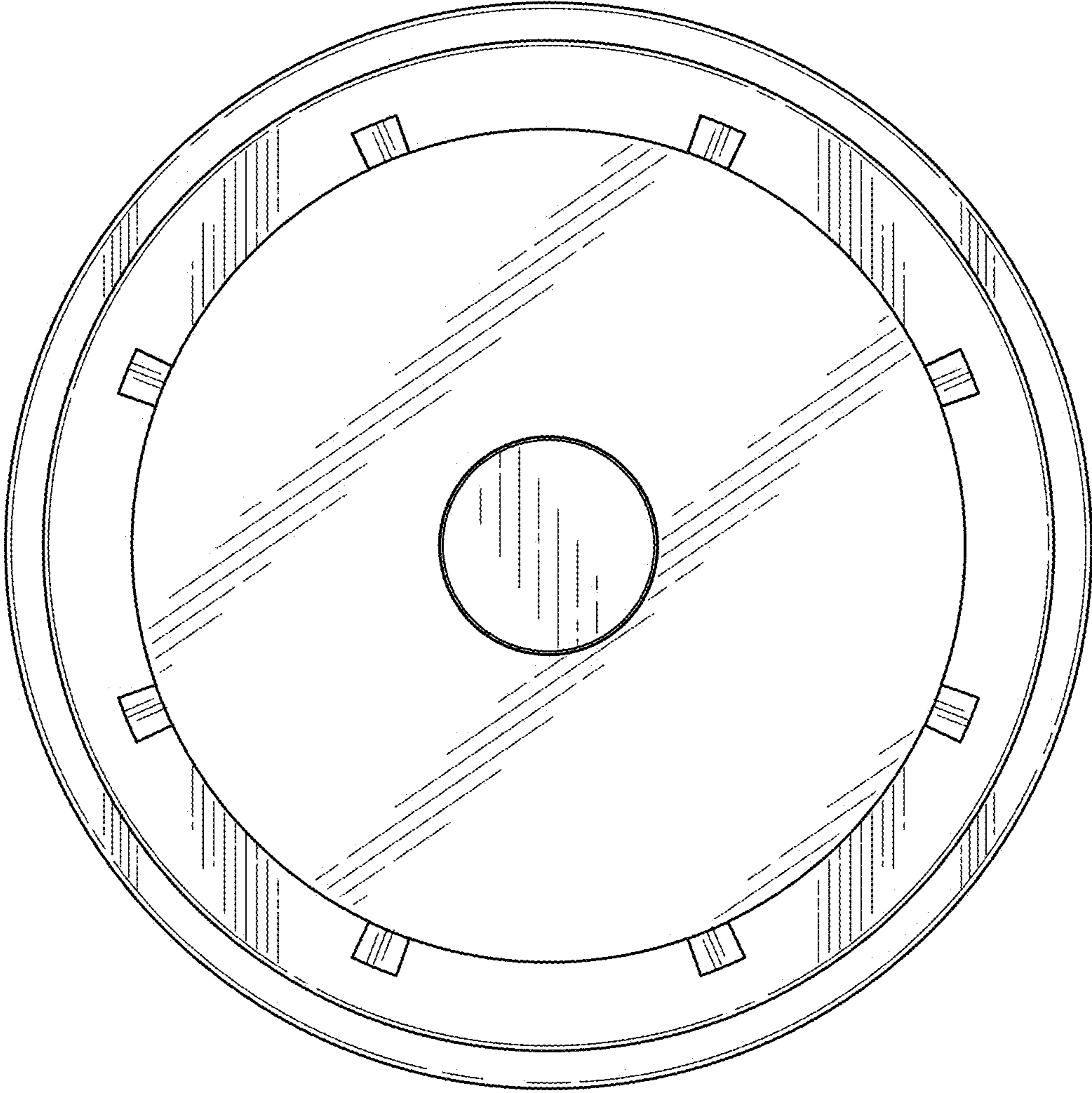


FIG. 6

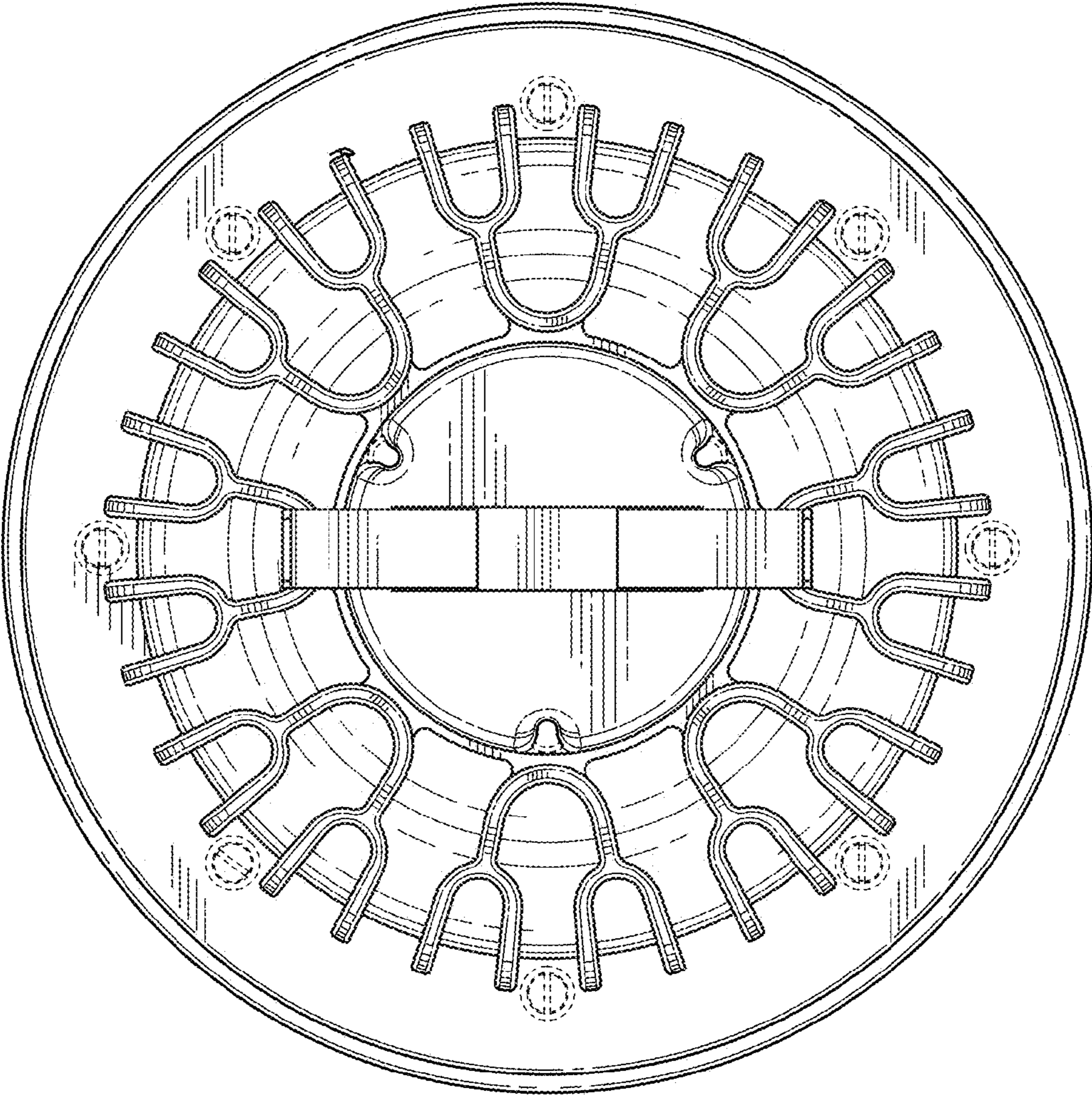


FIG. 7