



US00D742554S

(12) **United States Design Patent**
Kanemaru

(10) **Patent No.:** **US D742,554 S**

(45) **Date of Patent:** **** Nov. 3, 2015**

(54) **LIGHTING UNIT**

D656,906 S * 4/2012 Leung D13/180
D658,603 S * 5/2012 Egawa et al. D13/180
D658,605 S * 5/2012 Egawa et al. D13/180

(71) Applicants: **CITIZEN ELECTRONICS CO., LTD.**,
Fujjyoshida-shi, Yamanashi-ken (JP);
CITIZEN HOLDINGS CO., LTD.,
Nishi-Tokyo-shi, Tokyo (JP)

FOREIGN PATENT DOCUMENTS

JP D1428382 S 11/2011

(72) Inventor: **Atsushi Kanemaru**, Yamanashi-ken (JP)

OTHER PUBLICATIONS

(73) Assignees: **CITIZEN ELECTRONICS CO., LTD.**,
Yamanashi-Ken (JP); **CITIZEN**
HOLDINGS CO., LTD., Tokyo (JP)

Japanese Office Action issued on Aug. 1, 2013 corresponding with
Japanese design application No. 2013-001438.

(**) Term: **14 Years**

* cited by examiner

Primary Examiner — Marcus Jackson

(21) Appl. No.: **29/461,614**

(74) *Attorney, Agent, or Firm* — Browdy and Neimark,
PLLC

(22) Filed: **Jul. 25, 2013**

(30) **Foreign Application Priority Data**

Jan. 27, 2013 (JP) 2013-001438

(51) **LOC (10) Cl.** **26-04**

(52) **U.S. Cl.**
USPC **D26/1**

(58) **Field of Classification Search**
USPC D26/1-4; 313/313, 315, 316, 317, 318,
313/493; 315/52, 53, 56, 57, 58
See application file for complete search history.

(57) **CLAIM**

The ornamental design for a lighting unit, as shown and
described.

(56) **References Cited**

U.S. PATENT DOCUMENTS

D508,573 S * 8/2005 Matsui et al. D26/1
D636,900 S * 4/2011 Chou et al. D26/1

DESCRIPTION

FIG. 1 is a top perspective view of a lighting unit showing the
claimed design;
FIG. 2 is a bottom perspective view thereof;
FIG. 3 is a front elevational view thereof;
FIG. 4 is a rear elevational view thereof;
FIG. 5 is a top plan view thereof;
FIG. 6 is a bottom plan view thereof;
FIG. 7 is a left side elevational view thereof; and,
FIG. 8 is a right side elevational view thereof.

1 Claim, 6 Drawing Sheets

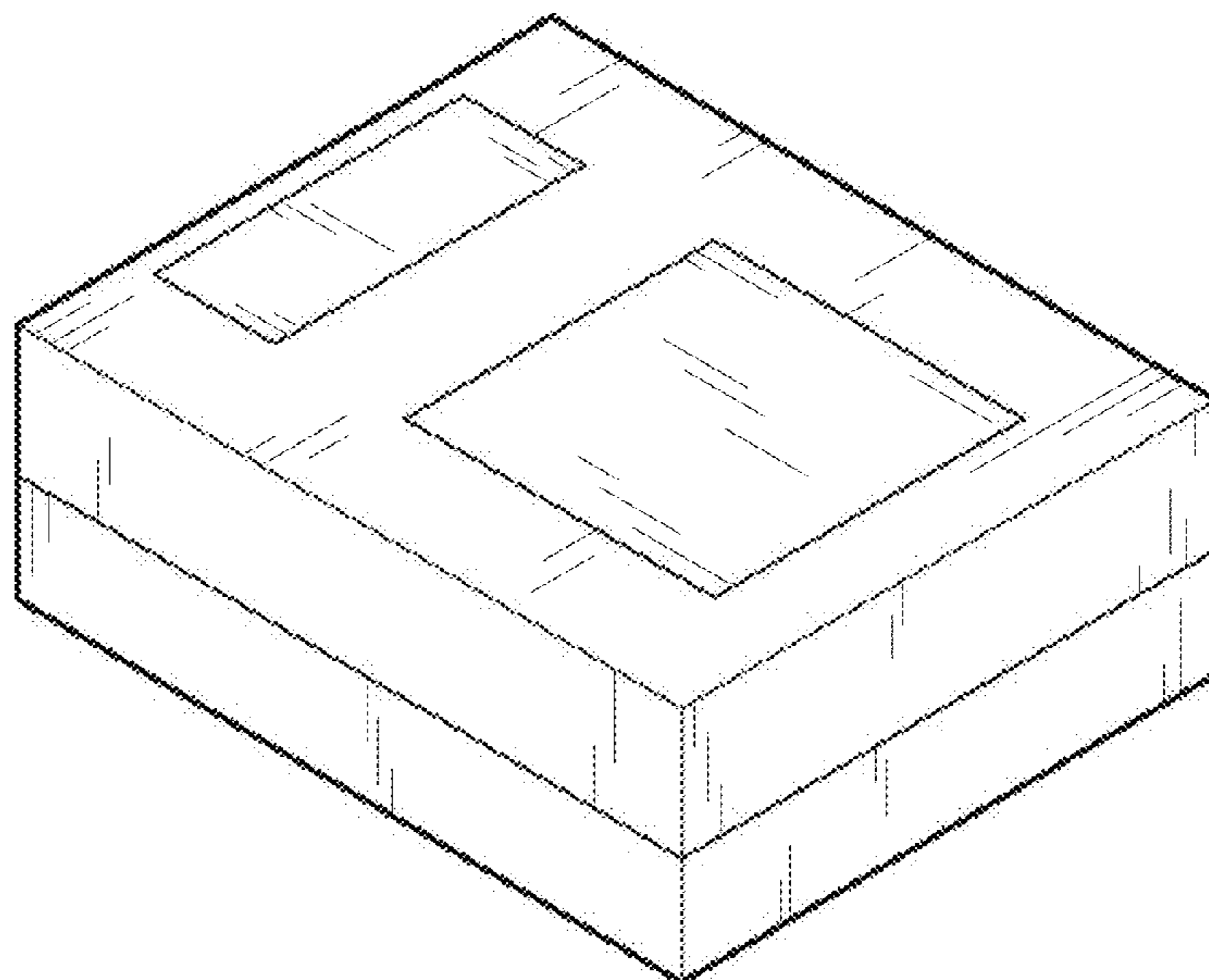


Fig. 1

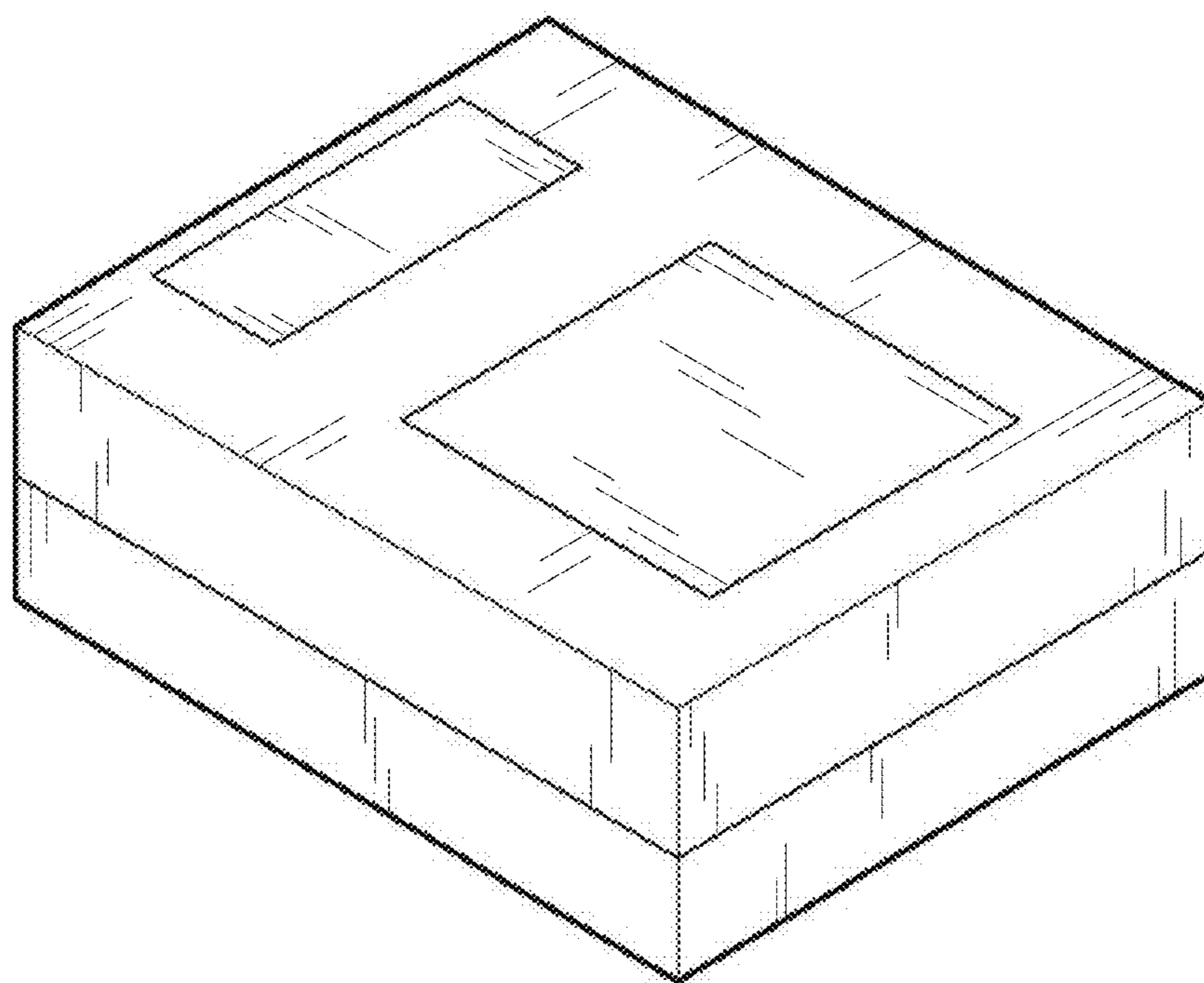


Fig. 2

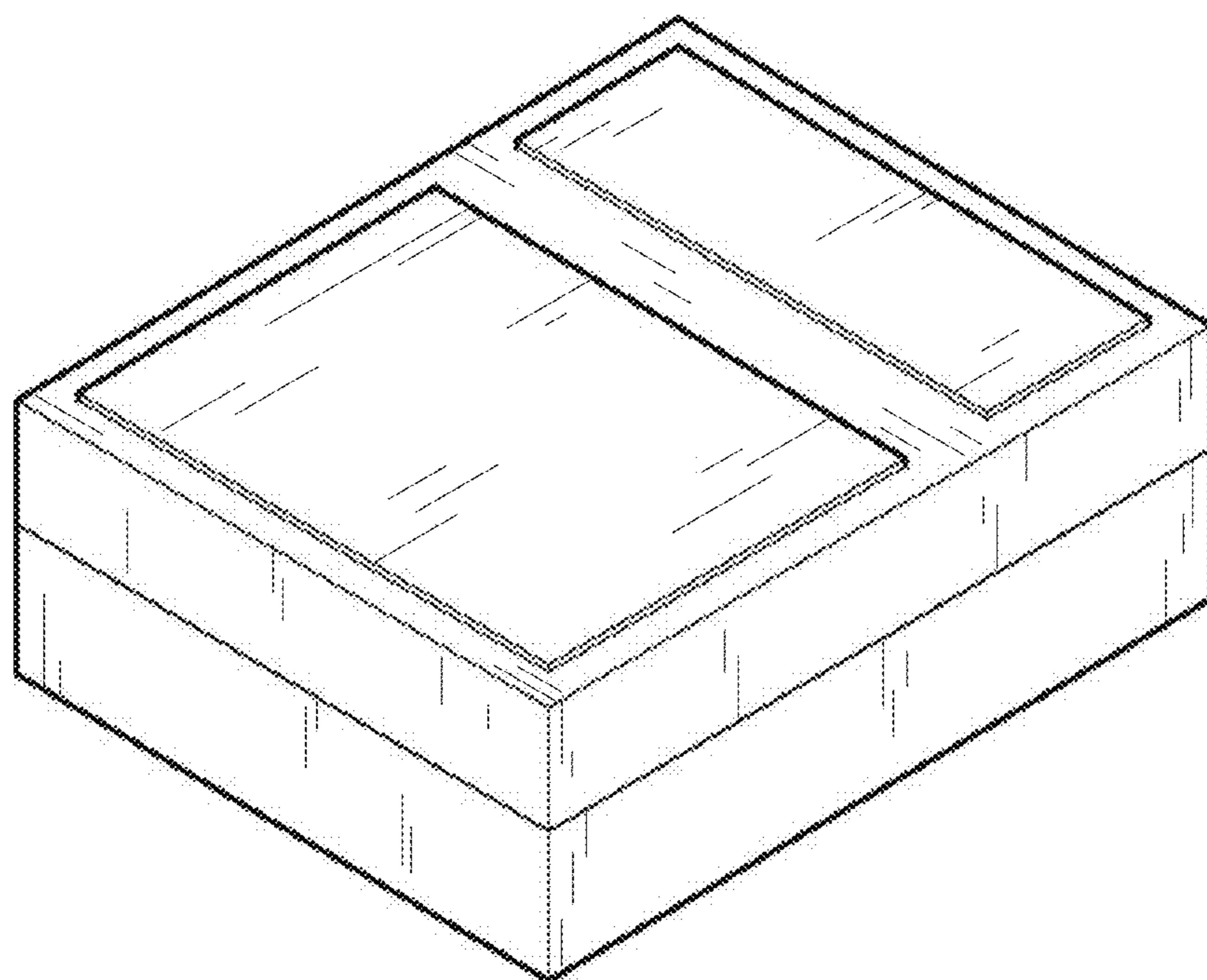


Fig. 3

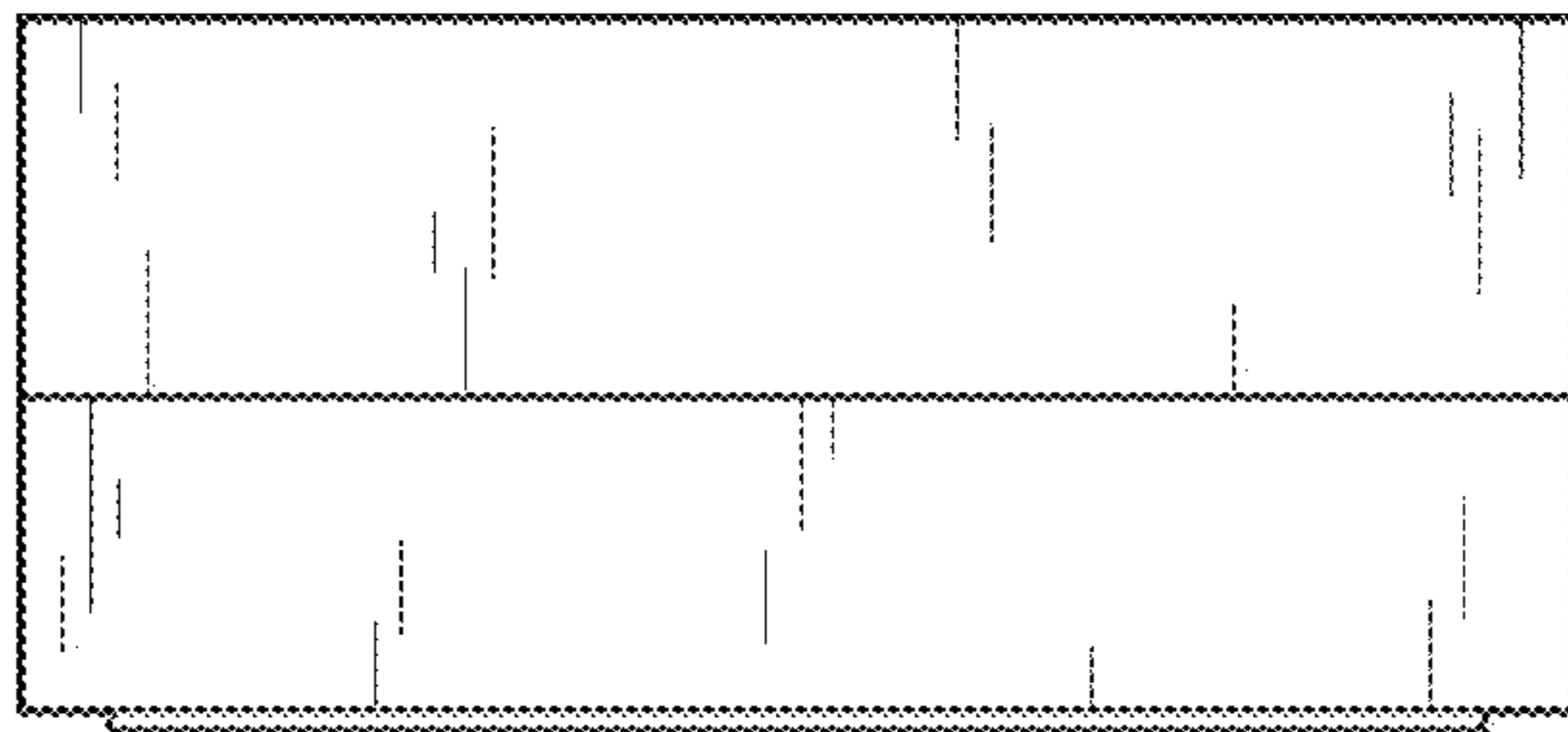


Fig. 4

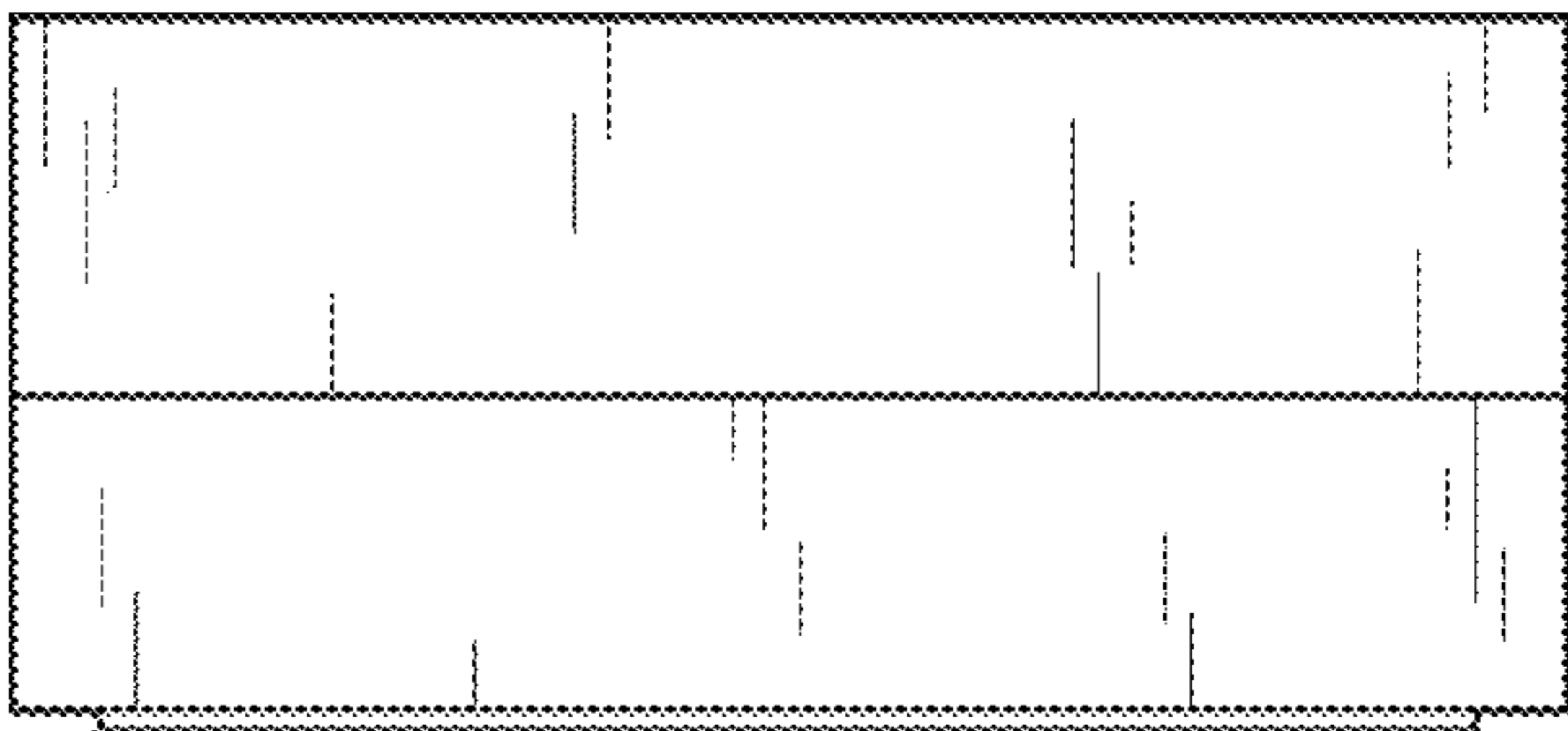


Fig. 5

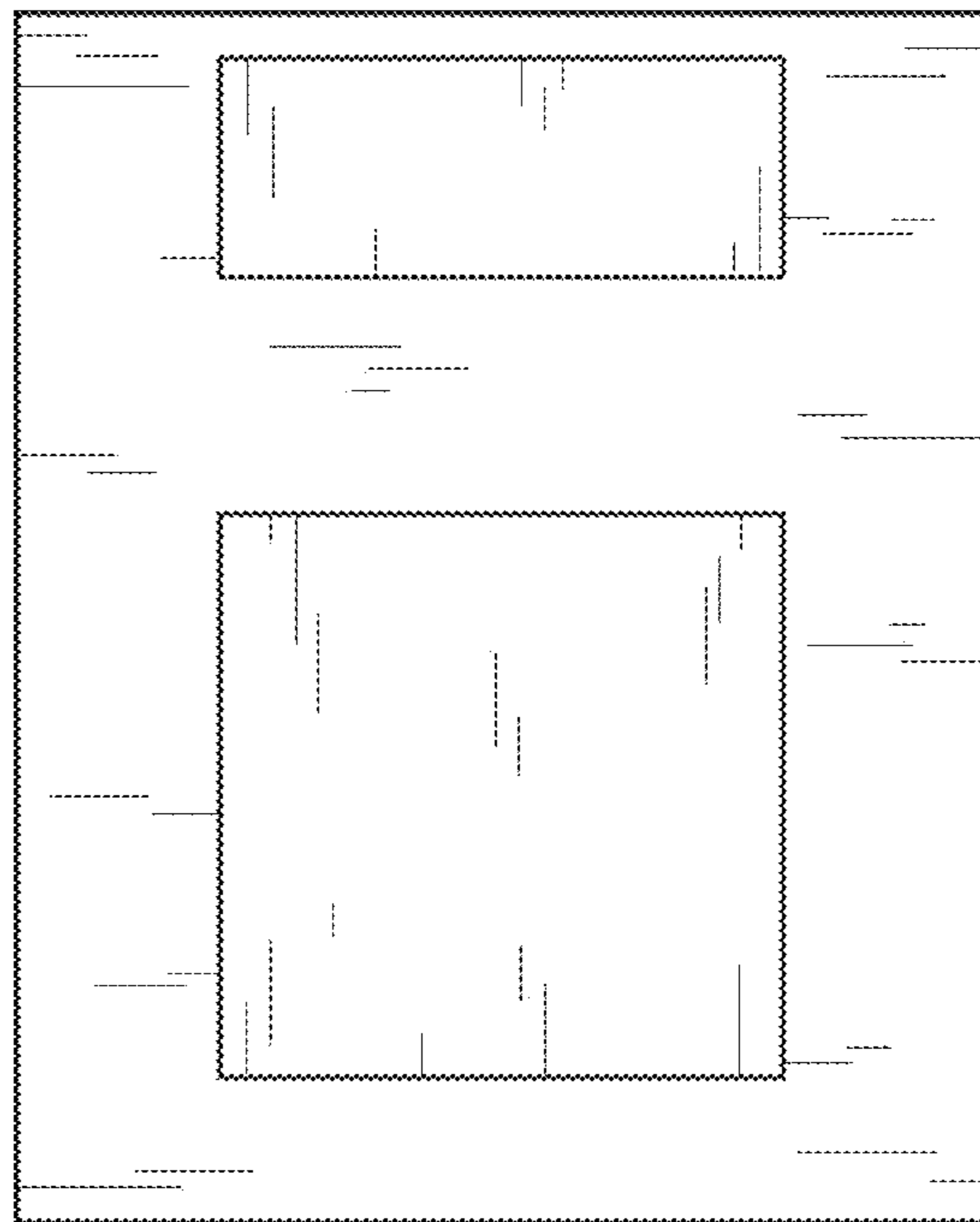


Fig. 6

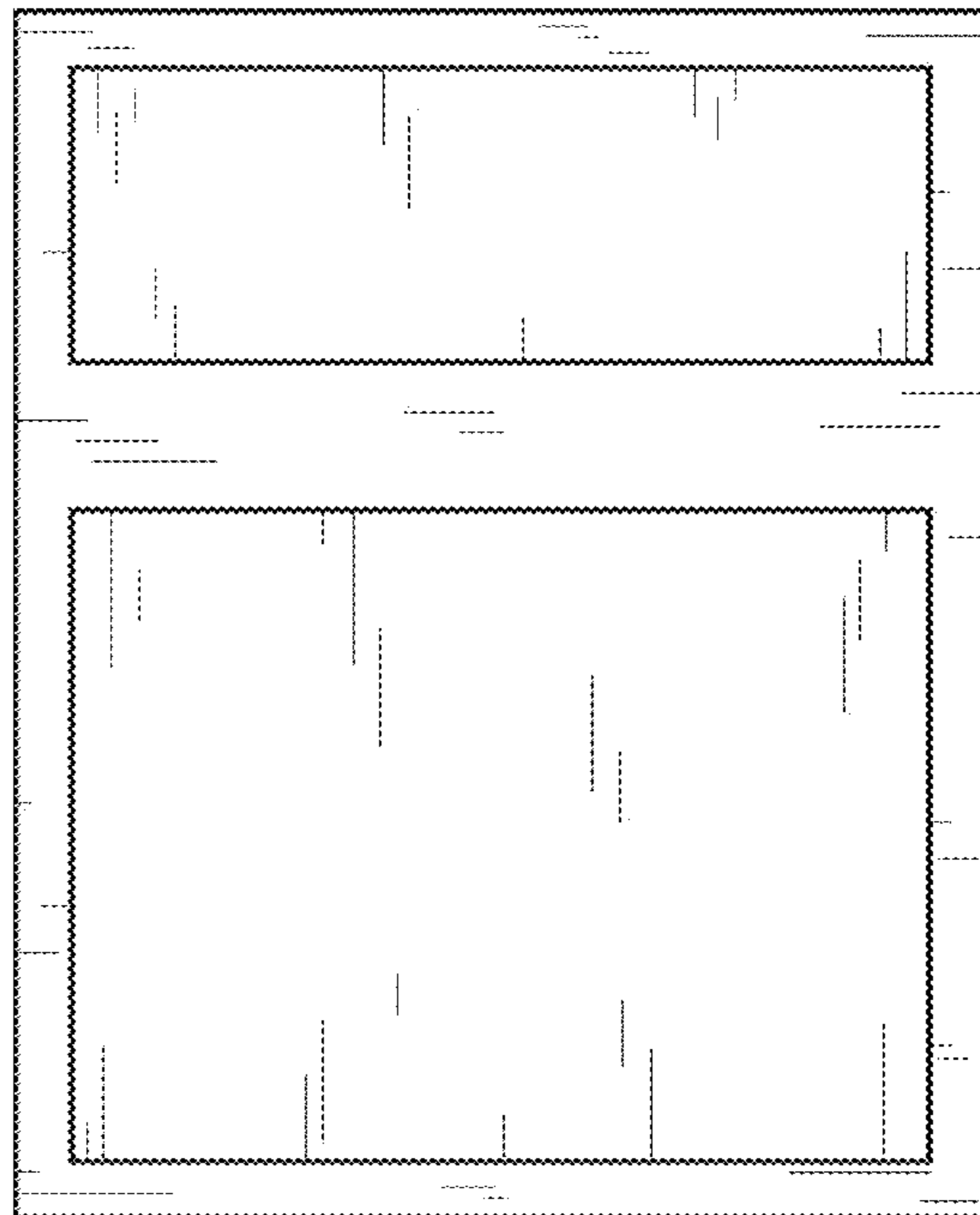


Fig. 7

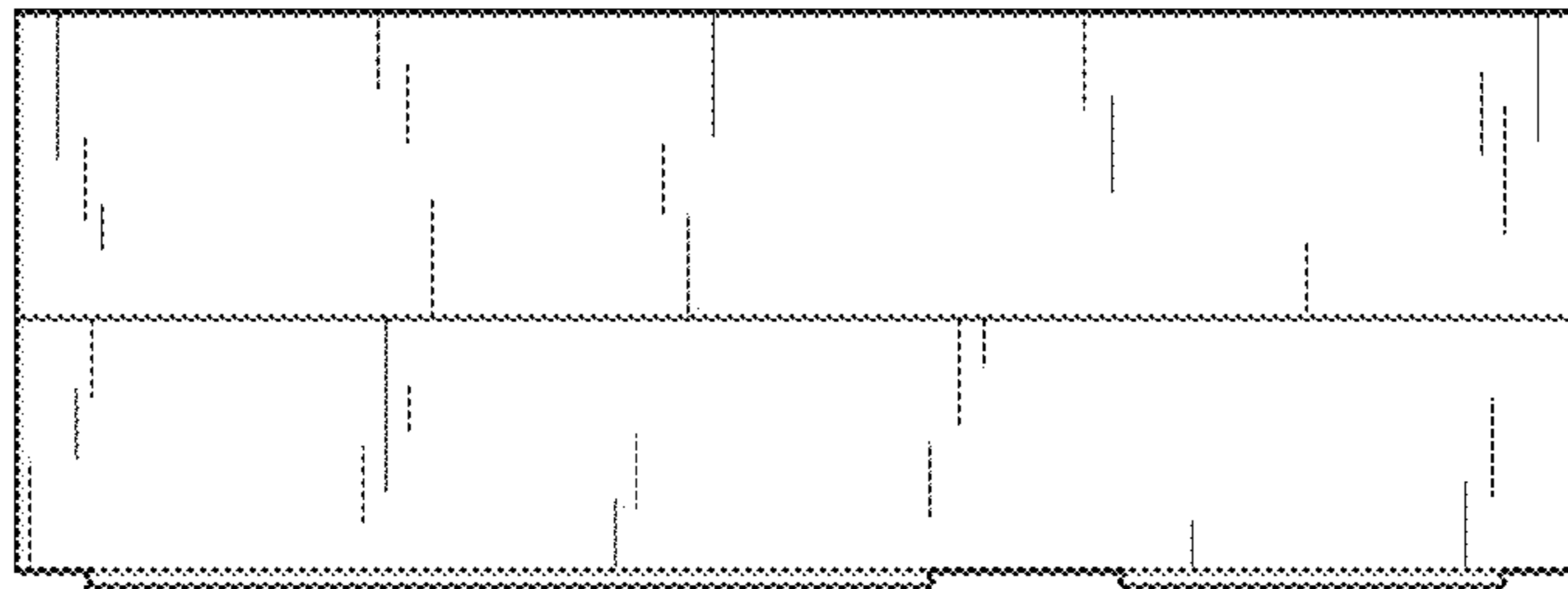


Fig. 8

