



US00D742553S

(12) **United States Design Patent**
Funakubo et al.

(10) **Patent No.:** **US D742,553 S**
(45) **Date of Patent:** **** Nov. 3, 2015**

(54) **LIGHT SOURCE**

(71) Applicants: **CITIZEN ELECTRONICS CO., LTD.**,
Fujiyoshida-shi, Yamanashi-ken (JP);
CITIZEN HOLDINGS CO., LTD.,
Nishi-Tokyo-shi, Tokyo (JP)

(72) Inventors: **Takuya Funakubo**, Yamanashi-ken (JP);
Yuichi Miura, Yamanashi-ken (JP)

(73) Assignees: **CITIZEN ELECTRONICS CO., LTD.**,
Yamanashi-Ken (JP); **CITIZEN**
HOLDINGS CO., LTD., Tokyo (JP)

(**) Term: **14 Years**

(21) Appl. No.: **29/461,604**

(22) Filed: **Jul. 25, 2013**

(30) **Foreign Application Priority Data**

Jan. 27, 2013	(JP)	2013-0011432
Jan. 27, 2013	(JP)	2013-0011433
Jan. 27, 2013	(JP)	2013-0011434
Jan. 27, 2013	(JP)	2013-0011435
Jan. 27, 2013	(JP)	2013-0011436

(51) **LOC (10) Cl.** **26-04**

(52) **U.S. Cl.**
USPC **D26/1**

(58) **Field of Classification Search**
USPC D26/1-4; D13/180; 313/313, 315, 316,
313/317, 318, 493; 315/52, 53, 56, 57, 58
See application file for complete search history.

(56) **References Cited**

U.S. PATENT DOCUMENTS

D528,996	S	*	9/2006	Egawa	D13/180
D573,553	S	*	7/2008	Uemoto et al.	D13/180
D577,690	S	*	9/2008	Shida et al.	D13/180
D598,401	S	*	8/2009	Takada et al.	D13/182
D622,876	S	*	8/2010	Takahashi et al.	D26/1

* cited by examiner

Primary Examiner — Marcus Jackson

(74) *Attorney, Agent, or Firm* — Browdy and Neimark,
PLLC

(57) **CLAIM**

The ornamental design for light source, as shown and described.

DESCRIPTION

FIG. 1 is a top perspective view of a first embodiment of light source showing the claimed design;
FIG. 2 is a bottom perspective view thereof;
FIG. 3 is a front view thereof;
FIG. 4 is a rear view thereof;
FIG. 5 is a top plan view thereof;
FIG. 6 is a bottom plan view thereof; and,
FIG. 7 is a left side view thereof, a right side view opposite the left side view being identical to FIG. 7.
The broken lines shown herein are for illustrative purpose only and form no part of the claimed design.

1 Claim, 6 Drawing Sheets

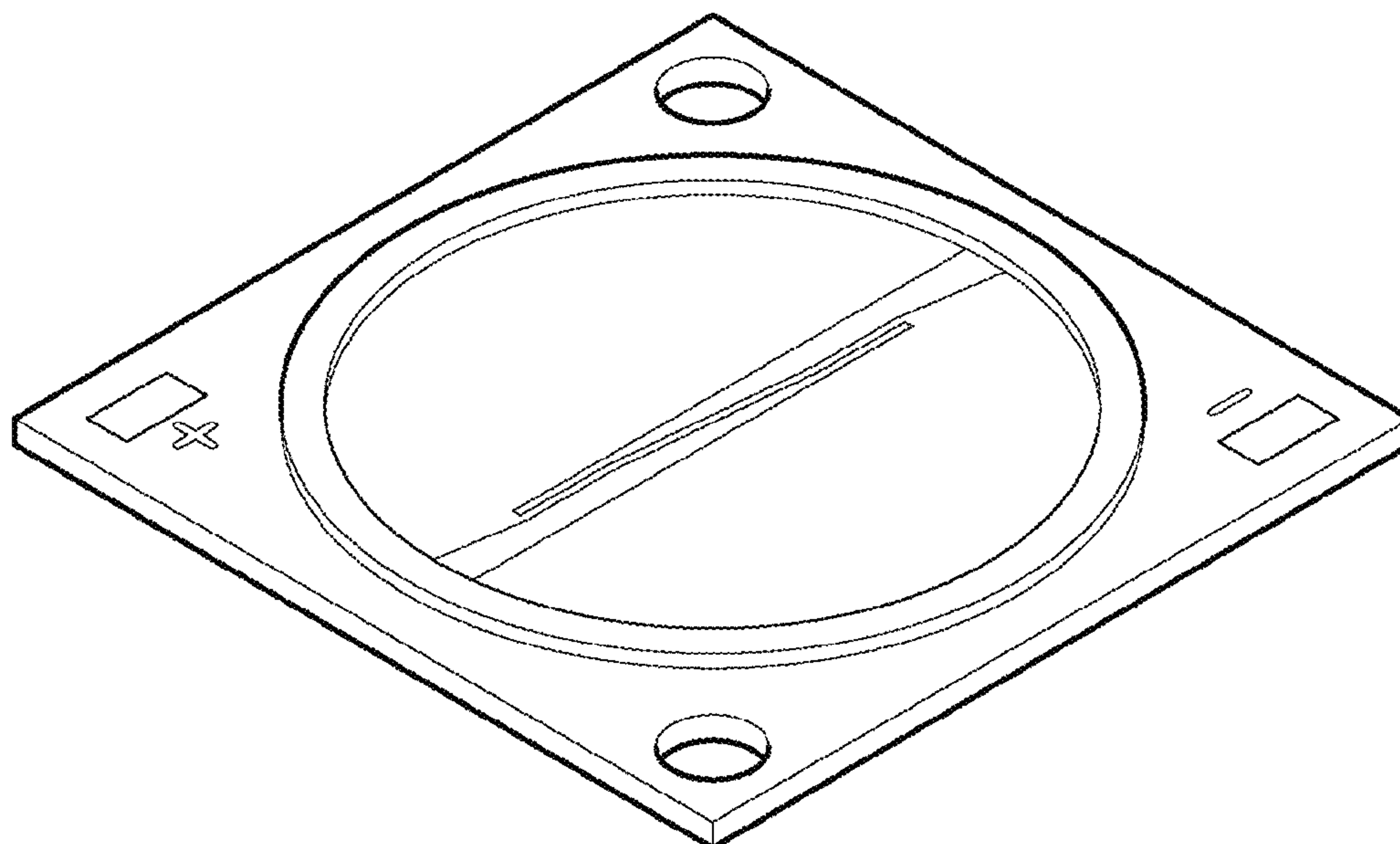


Fig. 1

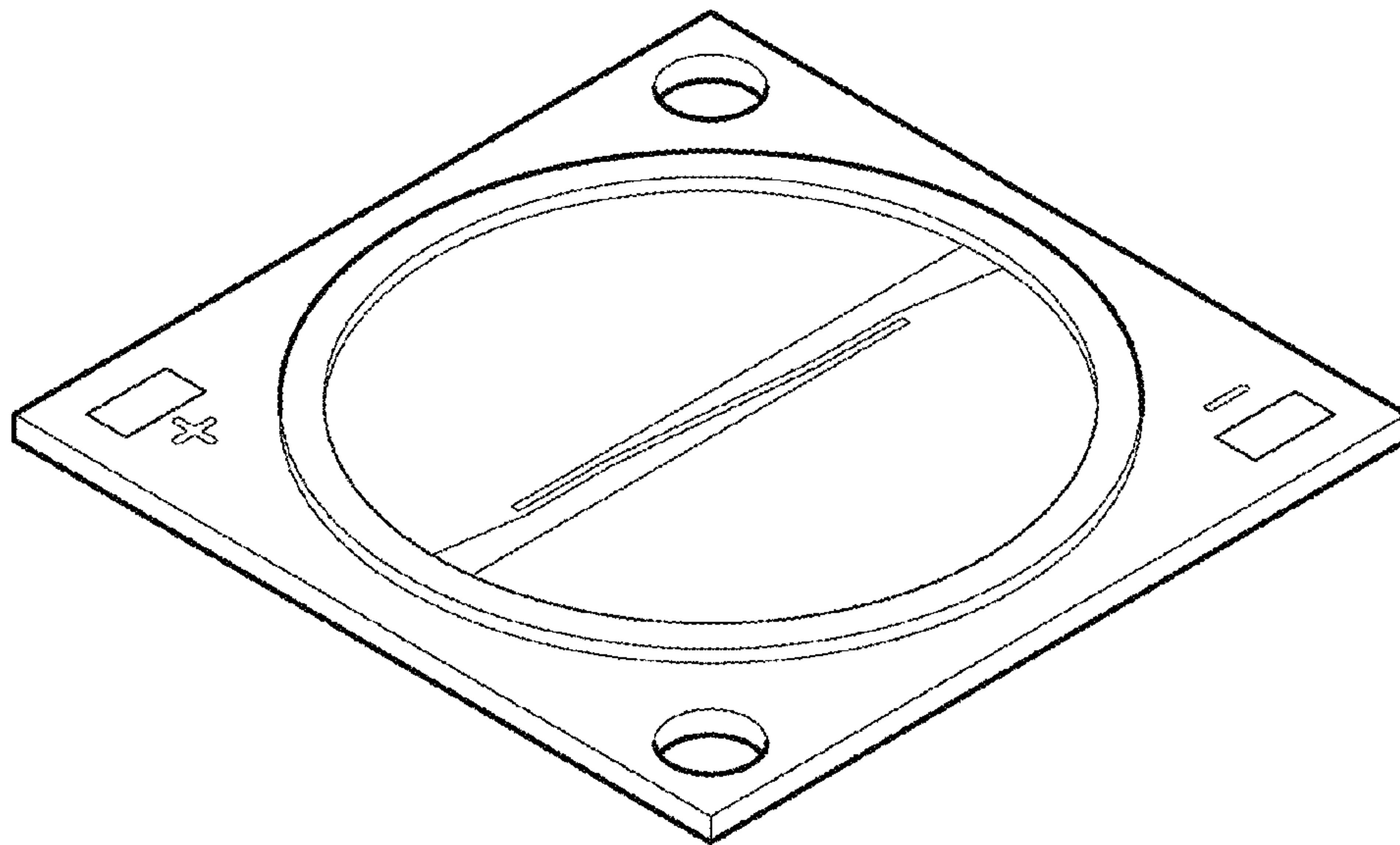


Fig. 2

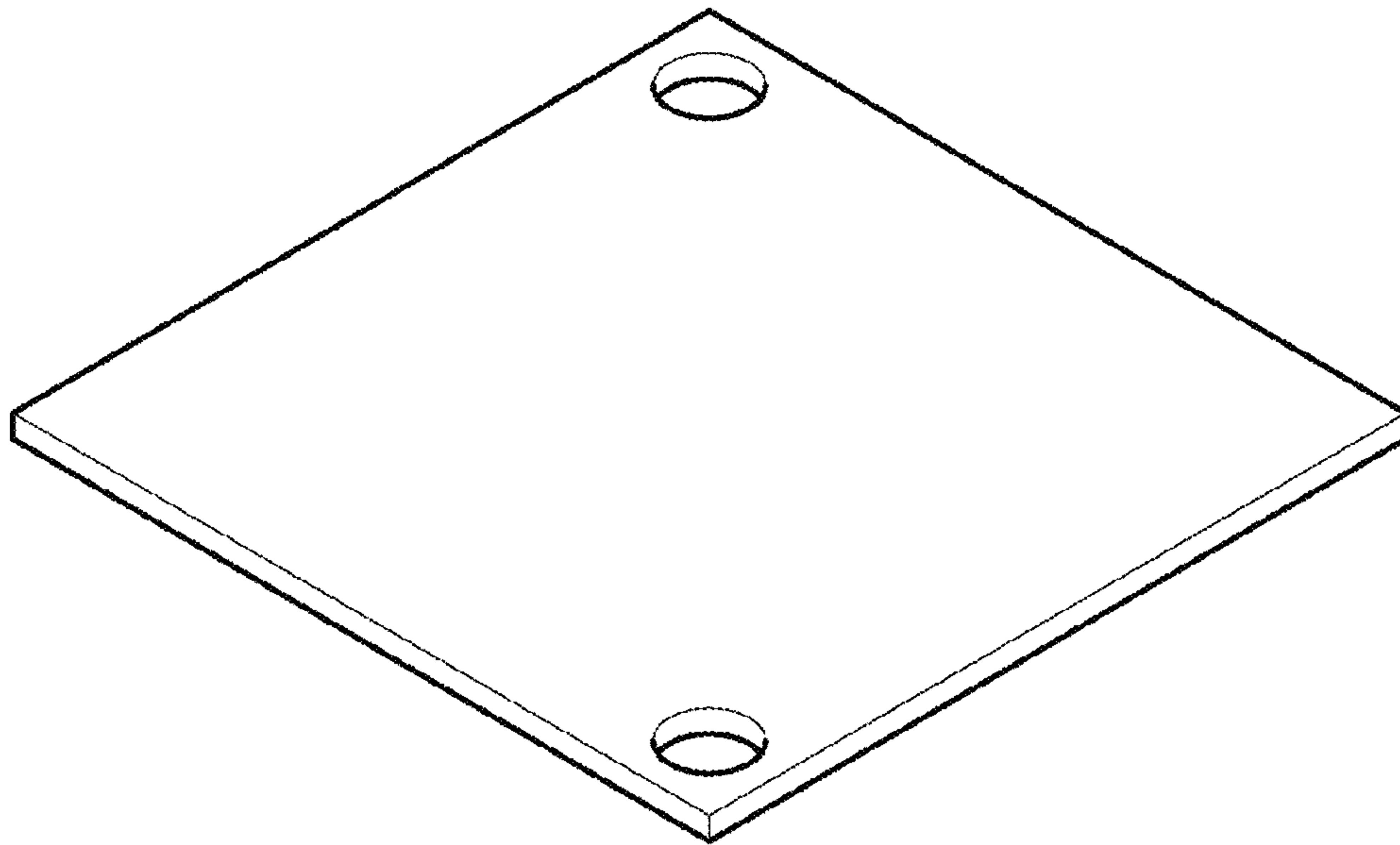


Fig. 3



Fig. 4



Fig. 5

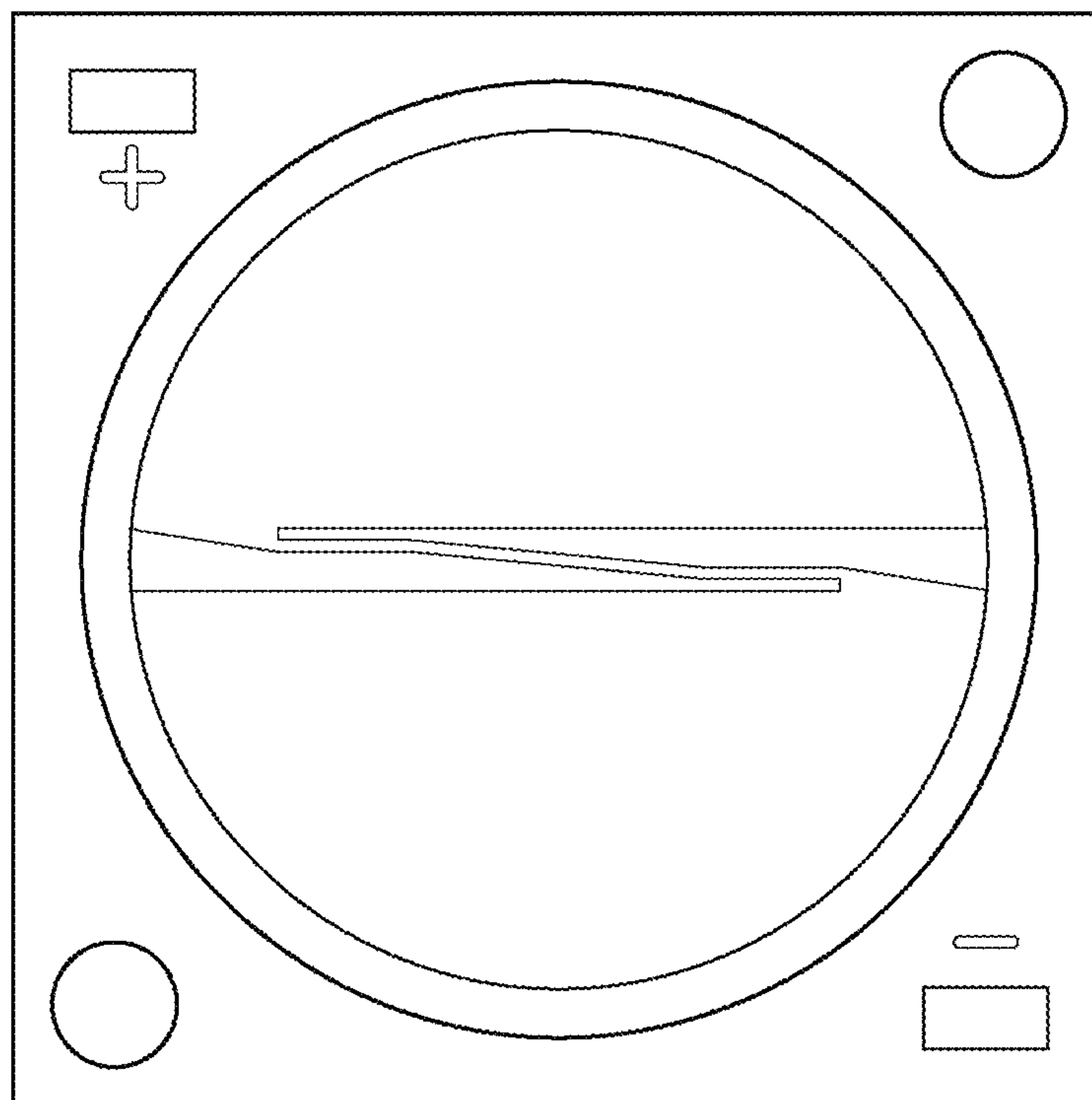


Fig. 6

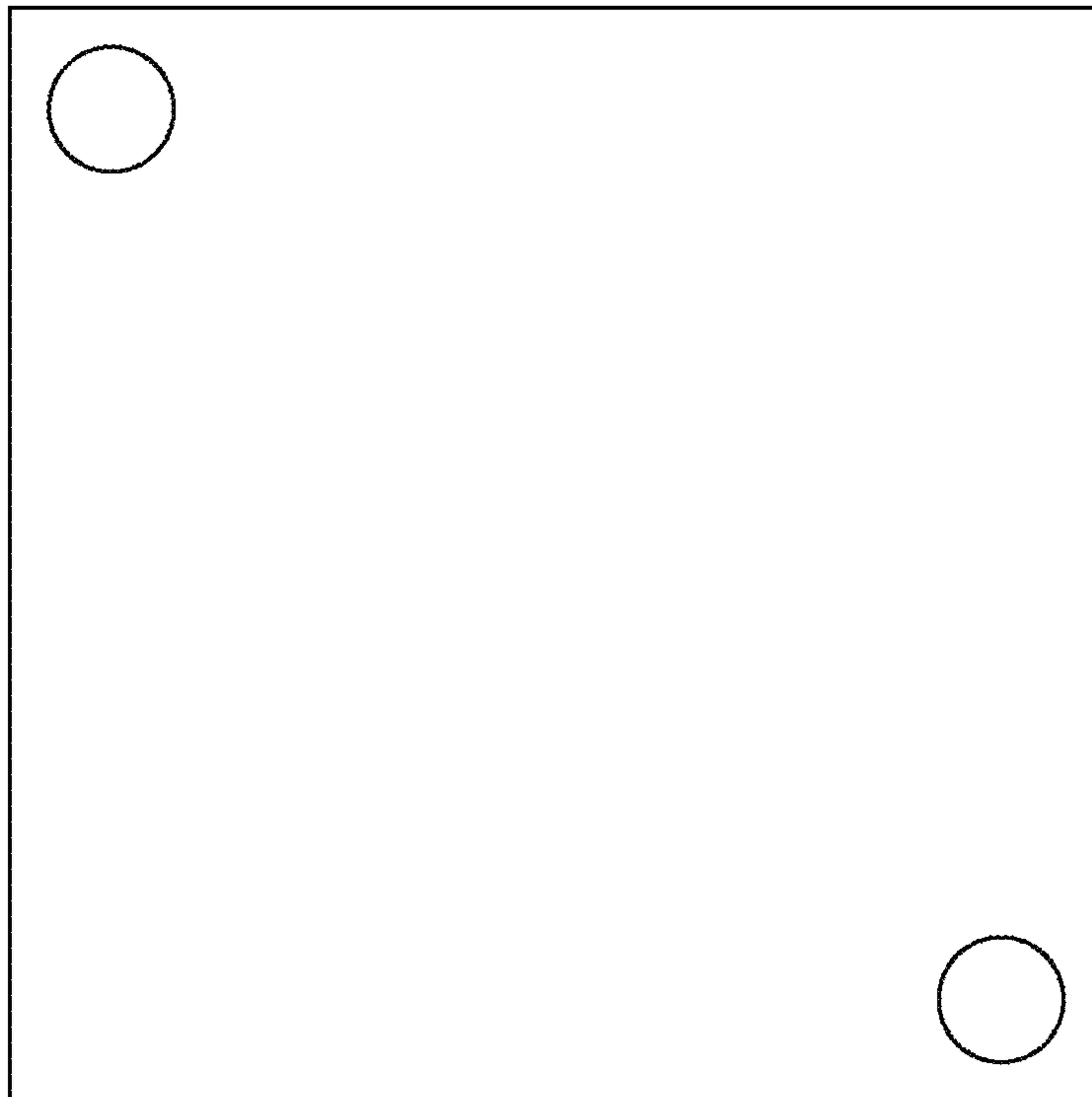


Fig. 7

