



US00D742552S

(12) **United States Design Patent**
Swanson

(10) **Patent No.:** **US D742,552 S**
(45) **Date of Patent:** **** Nov. 3, 2015**

(54) **FRONT FACE OF A BUILDING SIDING PANEL**

(71) Applicant: **Top Down Siding, LLC**, Vero Beach, FL (US)

(72) Inventor: **Lief Eric Swanson**, Vero Beach, FL (US)

(73) Assignee: **TOP DOWN SIDING, LLC**, Vero Beach, FL (US)

(**) Term: **14 Years**

(21) Appl. No.: **29/459,339**

(22) Filed: **Jun. 28, 2013**

3,046,700 A	7/1962	Davenport	
3,173,229 A	3/1965	Weber	
3,217,453 A	11/1965	Medow	
3,228,164 A	1/1966	Ettore	
3,261,136 A *	7/1966	Abner et al.	52/471
3,304,676 A	2/1967	Sallie et al.	
3,473,274 A	10/1969	Godes	
4,065,899 A	1/1978	Kirkhuff	
4,096,679 A	6/1978	Naz	
4,288,958 A	9/1981	Chalmers et al.	
4,308,702 A	1/1982	Rajewski	
4,672,789 A	6/1987	Fortier	
4,718,214 A	1/1988	Waggoner	
5,016,415 A	5/1991	Kellis	
5,475,960 A	12/1995	Lindal	
5,501,050 A *	3/1996	Ruel	52/513
5,502,940 A	4/1996	Fifield	
5,634,314 A	6/1997	Champagne	

(Continued)

Related U.S. Application Data

(63) Continuation-in-part of application No. 12/194,979, filed on Aug. 20, 2008, now Pat. No. 8,695,303, which is a continuation-in-part of application No. 12/018,416, filed on Jan. 23, 2008, now abandoned, which is a continuation of application No. 11/774,247, filed on Jul. 6, 2007, now Pat. No. 7,712,277.

(51) **LOC (10) Cl.** **25-01**

(52) **U.S. Cl.**
USPC **D25/139**

(58) **Field of Classification Search**
USPC D25/139
See application file for complete search history.

(56) **References Cited**

U.S. PATENT DOCUMENTS

492,736 A	2/1893	Shull
720,893 A	2/1903	Charlebois
1,931,709 A	10/1933	Schaffert
1,986,739 A	1/1935	Mitte
2,110,579 A	3/1938	Robinson
2,241,642 A	5/1941	McCauley
2,831,218 A	4/1958	Stark

FOREIGN PATENT DOCUMENTS

GB	1440327 A	6/1976
WO	02068769 A1	9/2002

Primary Examiner — Doris Clark

(74) *Attorney, Agent, or Firm* — Malin Haley DiMaggio & Bowen, P.A.

(57) **CLAIM**

The ornamental design for a front face of a building siding panel, as shown and described.

DESCRIPTION

FIG. 1 is a left side view of a front face of a building siding panel showing my new design, the right side being identical thereto.

FIG. 2 is a top view thereof.

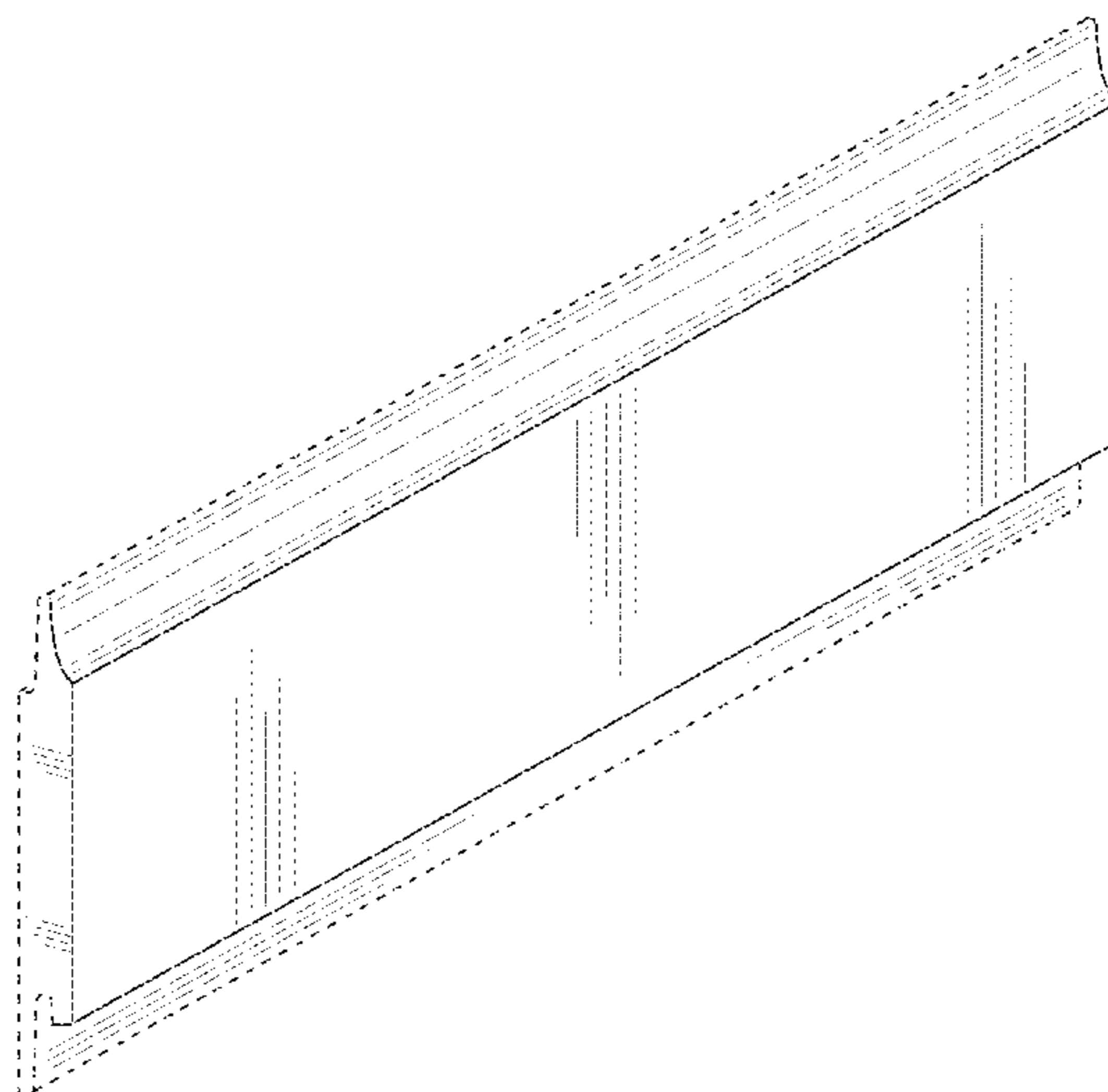
FIG. 3 is a bottom view thereof.

FIG. 4 is a perspective view thereof.

FIG. 5 is a front view thereof; and,

FIG. 6 is a rear view thereof.

1 Claim, 3 Drawing Sheets



(56)

References Cited

U.S. PATENT DOCUMENTS

D381,758 S *	7/1997	Chen	D25/139	6,226,947 B1	5/2001	Bado et al.
5,657,585 A	8/1997	Zaccagni		6,298,626 B2	10/2001	Rudden
5,675,955 A	10/1997	Champagne		7,713,615 B2	5/2010	Black et al.
5,694,728 A	12/1997	Heath, Jr. et al.		7,762,040 B2	7/2010	Wilson et al.
5,711,117 A	1/1998	Zaccagni et al.		2003/0014936 A1	1/2003	Watanabe
5,775,042 A	7/1998	Mowery et al.		2004/0111990 A1	6/2004	Neff
5,878,543 A	3/1999	Mowery		2005/0166529 A1	8/2005	Rodolfo et al.
				2007/0130871 A1	6/2007	Johnson et al.
				2008/0155928 A1	7/2008	Weiss
				2009/0313934 A1	12/2009	Carlson

* cited by examiner



FIG. 1



FIG. 2



FIG. 3

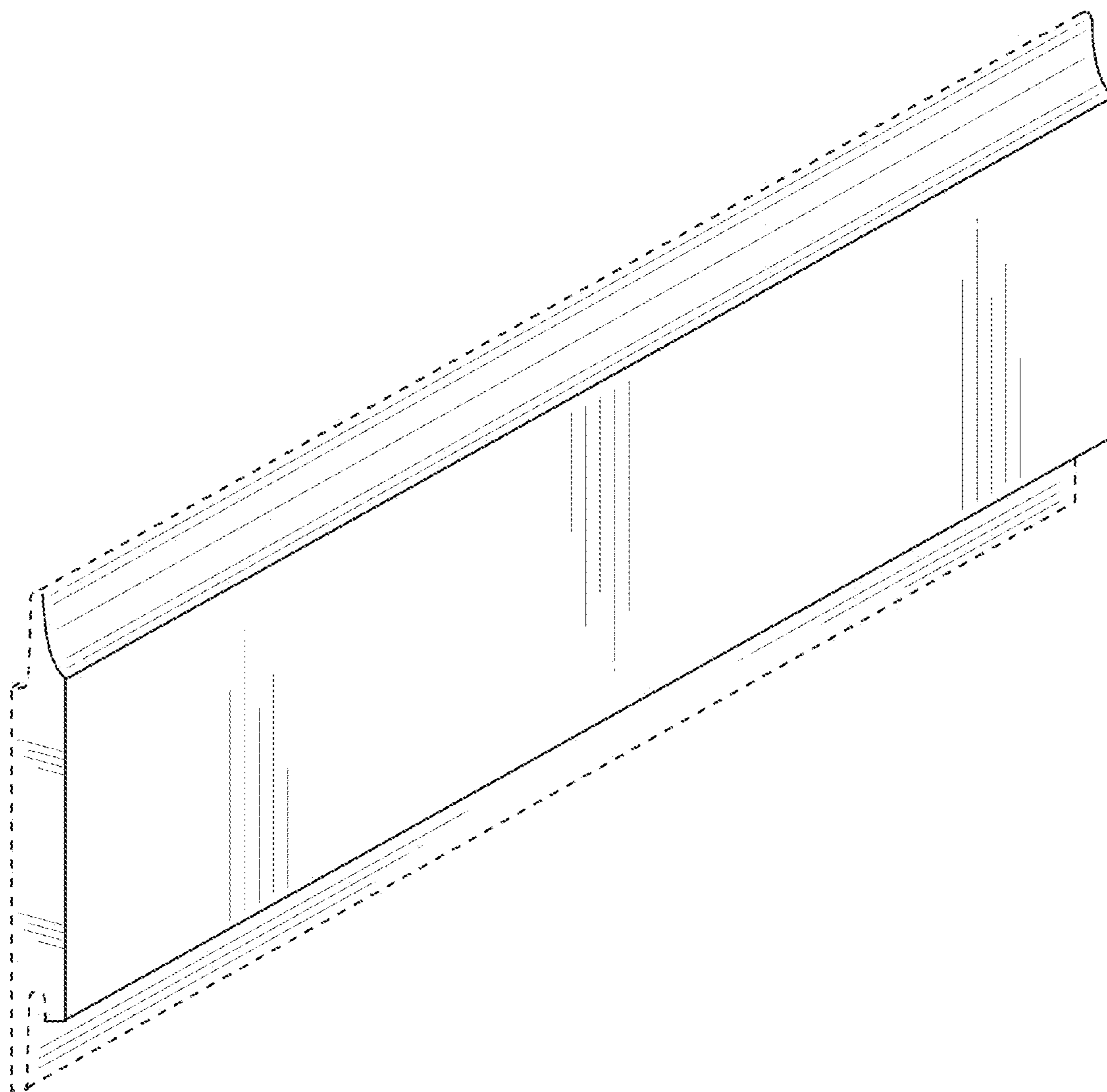


FIG. 4

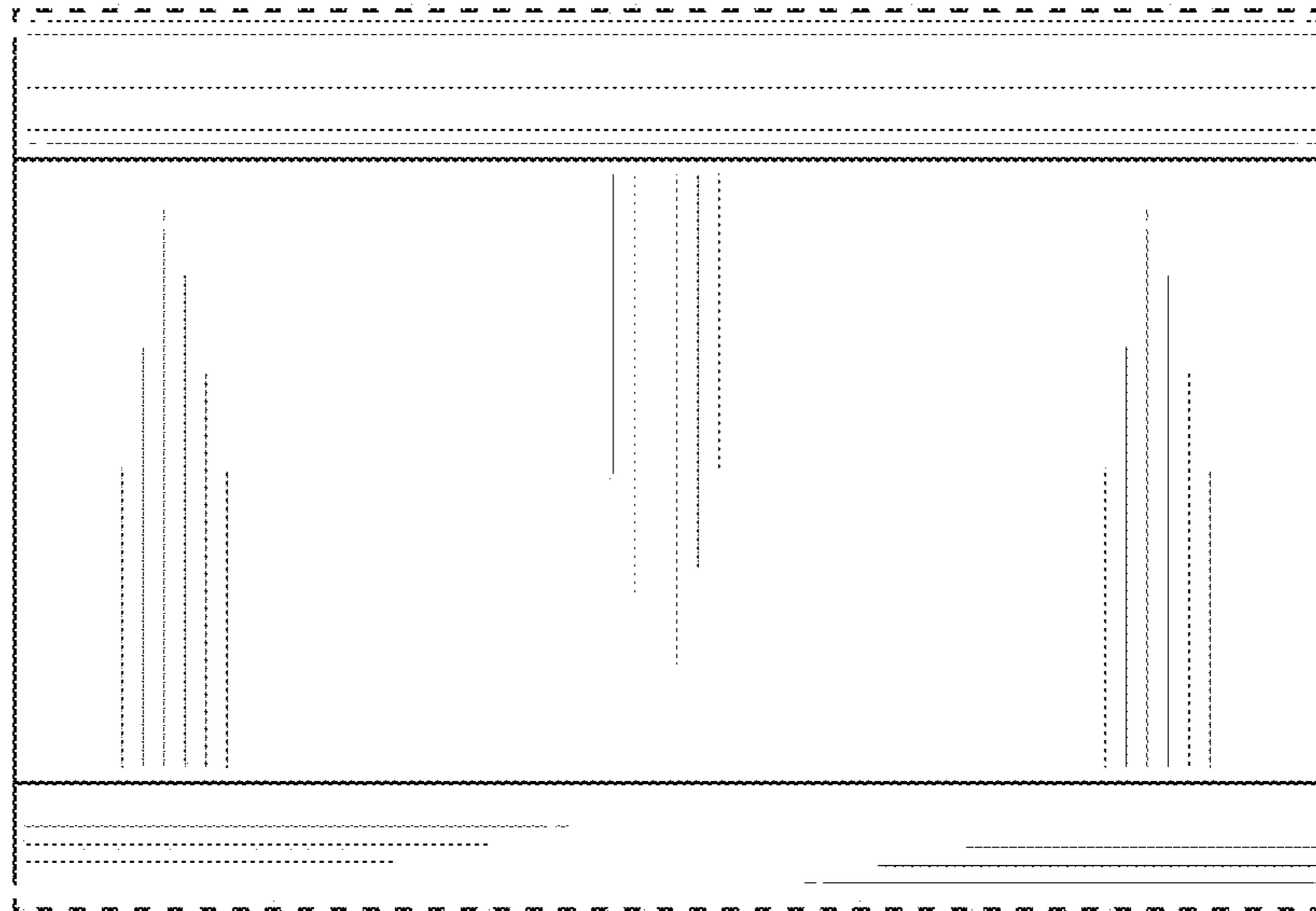


FIG. 5

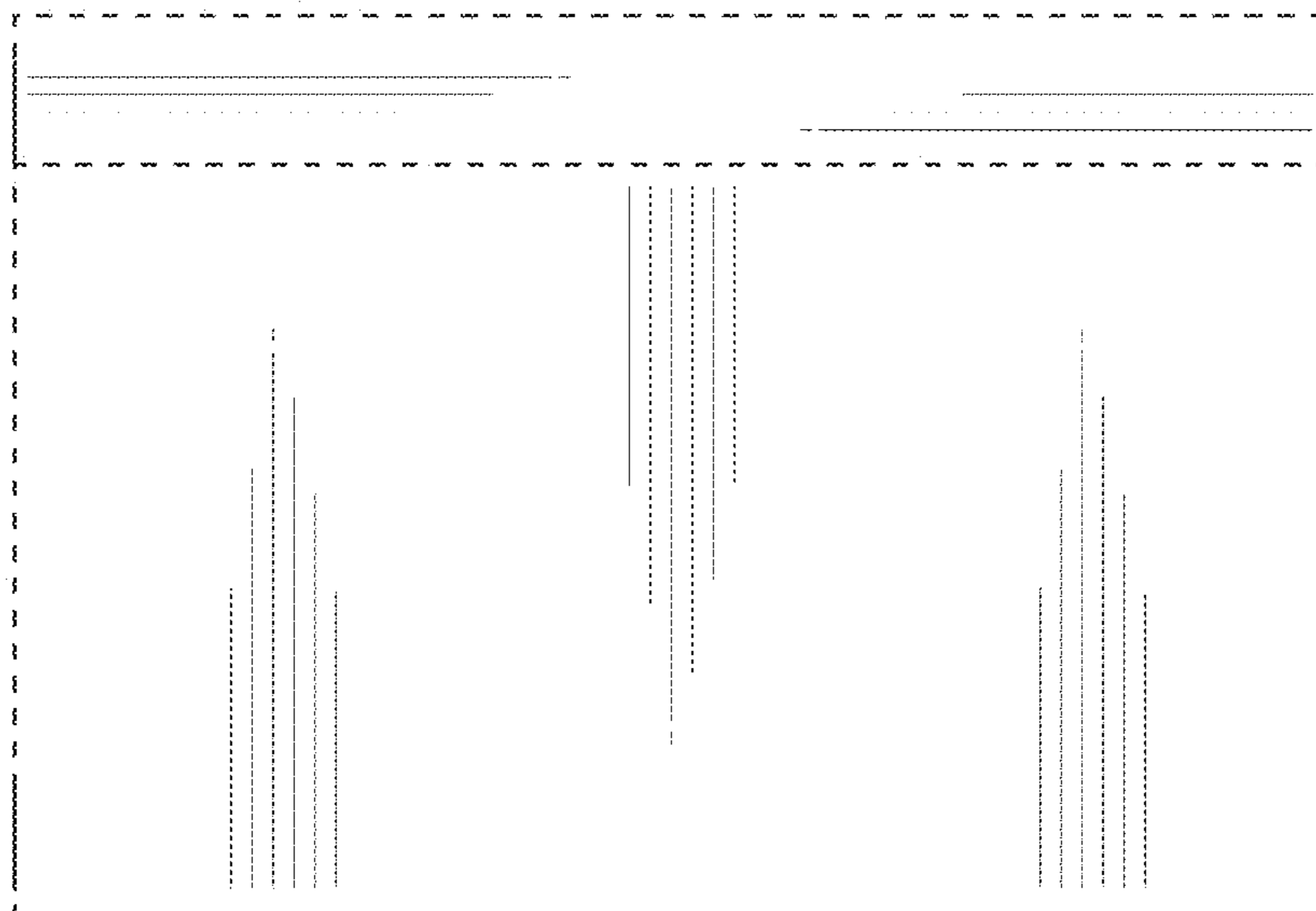


FIG. 6