



US00D742550S

(12) **United States Design Patent**
Mitchell

(10) **Patent No.:** **US D742,550 S**

(45) **Date of Patent:** **** Nov. 3, 2015**

(54) **BARRIER STORAGE CARTRIDGE**

FOREIGN PATENT DOCUMENTS

(71) Applicant: **Rapid Roll Barrier Storage Cartridge Ltd.**, Collingwood Ontario (CA)

GB 2355751 A 5/2001

(72) Inventor: **Paul Mitchell**, Collingwood (CA)

(73) Assignee: **IDEAL WAREHOUSE INNOVATIONS INC.**, Woodbridge, Ontario (CA)

OTHER PUBLICATIONS

Canadian Office Action dated Jun. 7, 2015; Application No. 2,784,156.

PCT International Search Report dated Apr. 9, 2013 (International Application No. PCT/CA2013/000148).

PCT Written Opinion dated Apr. 10, 2015 (International Application No. PCT/CA2013/000148).

International Preliminary Report on Patentability dated Jan. 27, 2015 (International Application No. PCT/CA2013/000148).

Copending U.S. Appl. No. 13/590,240, filed Aug. 21, 2012.

Copending U.S. Appl. No. 14/587,657, filed Dec. 31, 2014.

Canadian Industrial Design Reg. No. 153039; Registered Feb. 23, 2015.

(**) Term: **14 Years**

(21) Appl. No.: **29/466,891**

(22) Filed: **Sep. 12, 2013**

(51) **LOC (10) Cl.** **25-01**

(52) **U.S. Cl.**
USPC **D25/126**

(58) **Field of Classification Search**
USPC D25/48.6, 48.5, 126; 49/34; 256/1, 24; 160/23.1, 24, 351, 26; 404/6
CPC F04F 13/028; E04B 9/24
See application file for complete search history.

* cited by examiner

Primary Examiner — Doris Clark

(74) *Attorney, Agent, or Firm* — The Dobrusin Law Firm, PC

(56) **References Cited**

U.S. PATENT DOCUMENTS

4,119,301	A	10/1978	Payne	
D426,319	S *	6/2000	Lee	D25/126
6,601,638	B1	8/2003	Lafleur	
6,733,204	B1 *	5/2004	Paniccia	404/6
6,779,537	B1	8/2004	Miller	
6,807,999	B1	10/2004	Bowen et al.	
6,969,050	B1 *	11/2005	Loebner	256/1
7,219,709	B1 *	5/2007	Williams	160/24
2003/0079843	A1 *	5/2003	Chen	160/23.1
2003/0164485	A1	9/2003	Olson et al.	
2006/0131551	A1	6/2006	Hopp et al.	
2006/0272781	A1 *	12/2006	Cordova	160/23.1
2007/0176158	A1	8/2007	Robinson	
2008/0121352	A1 *	5/2008	Cheng	160/238
2008/0251625	A1 *	10/2008	Bentley	242/400
2010/0301296	A1	12/2010	Ratzenberger	

(57) **CLAIM**

The ornamental design for a barrier storage cartridge, as shown and described.

DESCRIPTION

FIG. 1 is a perspective view of the barrier storage cartridge showing my new design.

FIG. 2 is a rear elevation view thereof.

FIG. 3 is a side elevation view thereof.

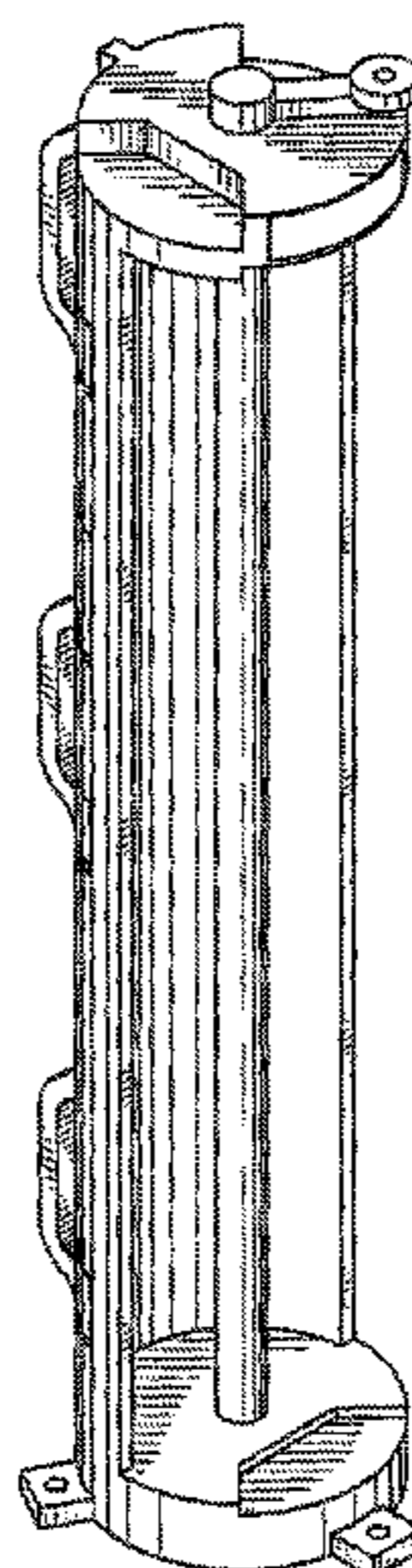
FIG. 4 is a front elevation view thereof.

FIG. 5 is a top plan view thereof; and,

FIG. 6 is a bottom plan view thereof.

The broken lines showing environment in the drawings are for illustrative purposes only and form no part of the claimed design.

1 Claim, 3 Drawing Sheets



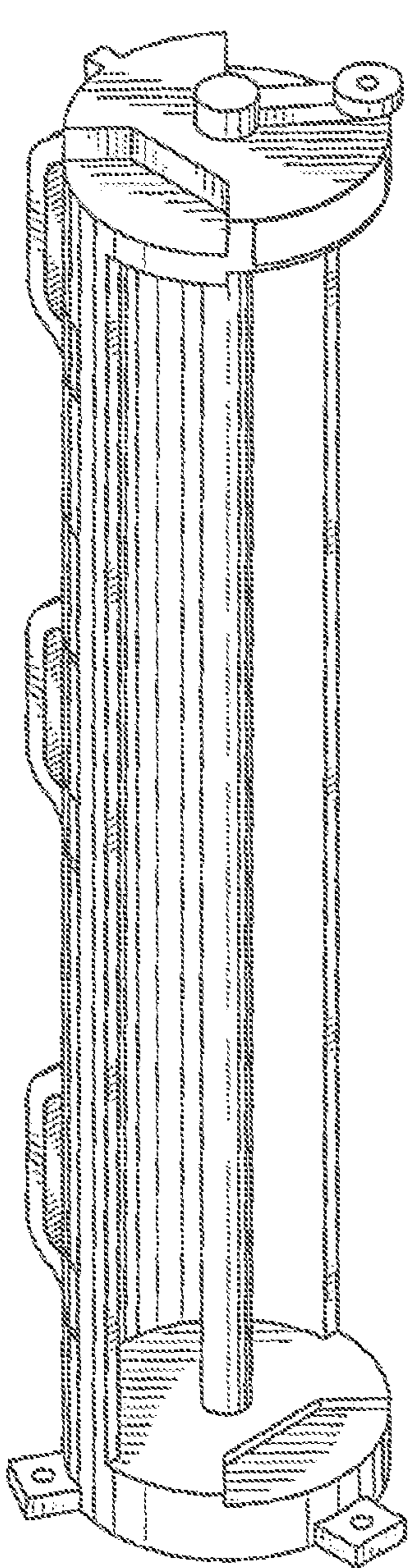


FIG. 1

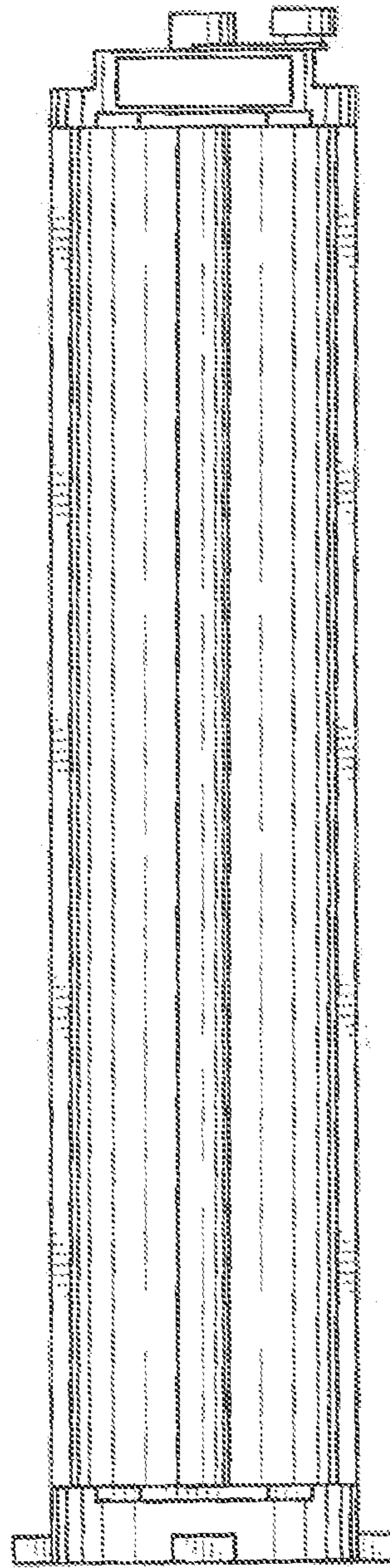


FIG. 4

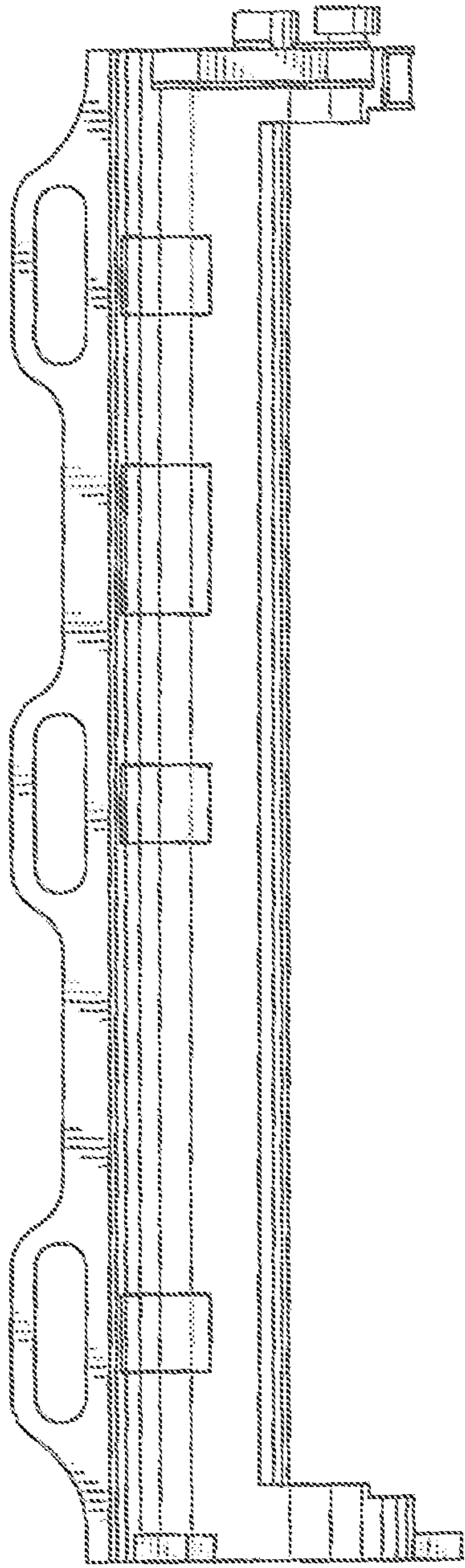


FIG. 3

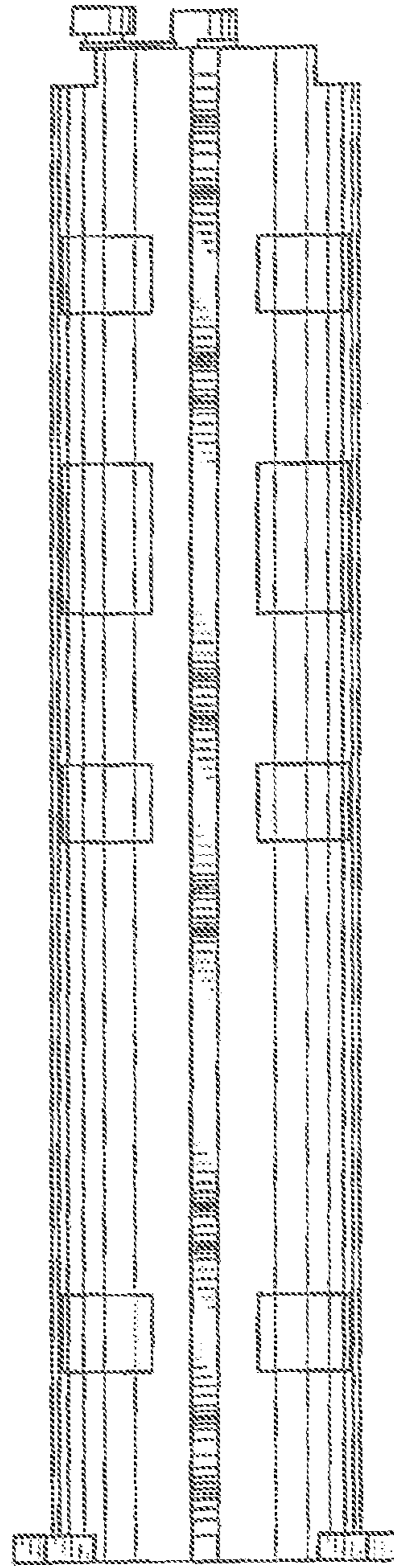


FIG. 2

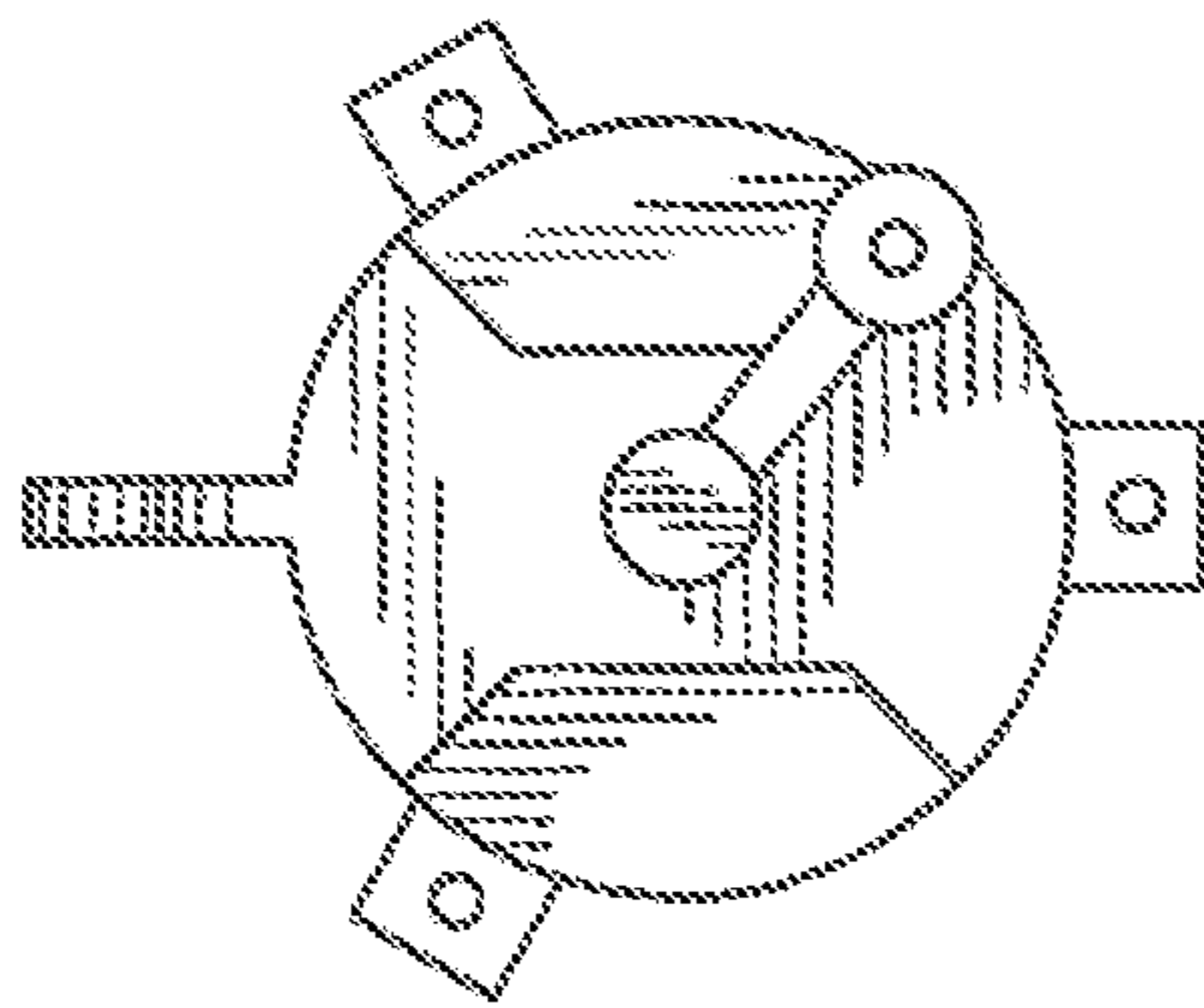


FIG. 5

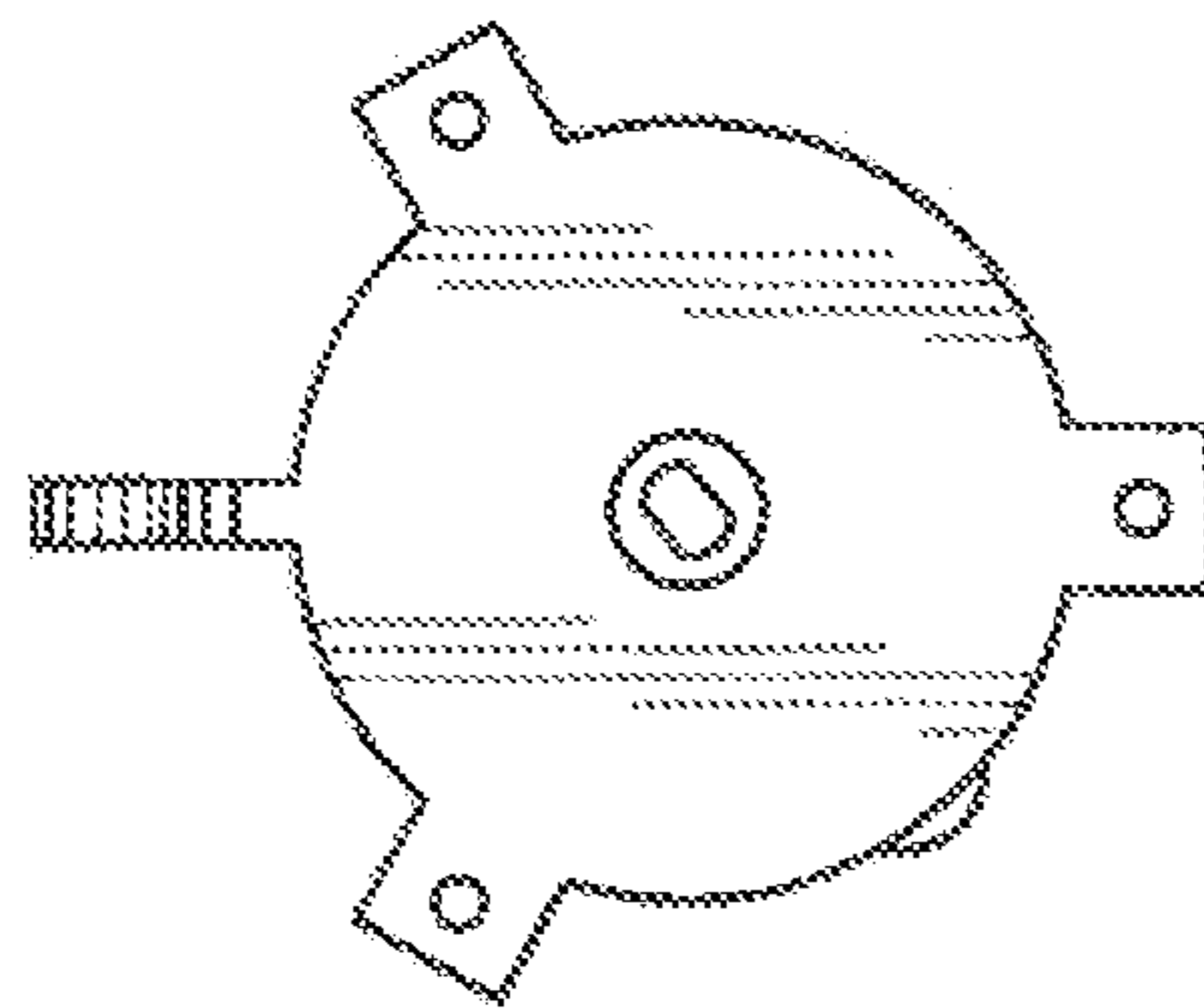


FIG. 6