



US00D742549S

(12) **United States Design Patent**
Ryan

(10) **Patent No.:** **US D742,549 S**
(45) **Date of Patent:** **** Nov. 3, 2015**

- (54) **DECKING**
- (71) Applicant: **Epic Metals Corporation**, Rankin, PA (US)
- (72) Inventor: **Thomas G. Ryan**, Ligonier, PA (US)
- (73) Assignee: **EPIC METALS CORPORATION**, Rankin, PA (US)
- (**) Term: **14 Years**
- (21) Appl. No.: **29/482,384**
- (22) Filed: **Feb. 18, 2014**
- (51) **LOC (10) Cl.** **25-01**
- (52) **U.S. Cl.**
USPC **D25/122**
- (58) **Field of Classification Search**
USPC D25/119, 121, 56, 48.8, 120, 122;
52/507, 581, 579, 650.3, 656.8, 673,
52/674, 578, 87; 135/117.906
CPC E04B 1/00; E04B 1/32; E04B 2/00;
E04B 7/00; E04B 9/00; E04B 1/38; E04B
2/74; E04C 3/30; E04C 2/40
See application file for complete search history.

- D511,580 S 11/2005 Ryan et al.
- D521,656 S * 5/2006 Terrels D25/122
- 7,146,920 B1 12/2006 Ryan et al.
- D552,765 S 10/2007 Ault et al.
- 7,328,667 B1 2/2008 Ryan et al.
- 7,418,807 B1 9/2008 Ryan et al.
- 7,603,814 B1 10/2009 Hartmann et al.
- D608,464 S 1/2010 Ryan
- D622,417 S * 8/2010 Ryan D25/122
- D623,773 S 9/2010 Ryan

(Continued)

Primary Examiner — Prabhakar Deshmukh
(74) *Attorney, Agent, or Firm* — The Webb Law Firm

(57) **CLAIM**
The ornamental design for decking, as shown and described.

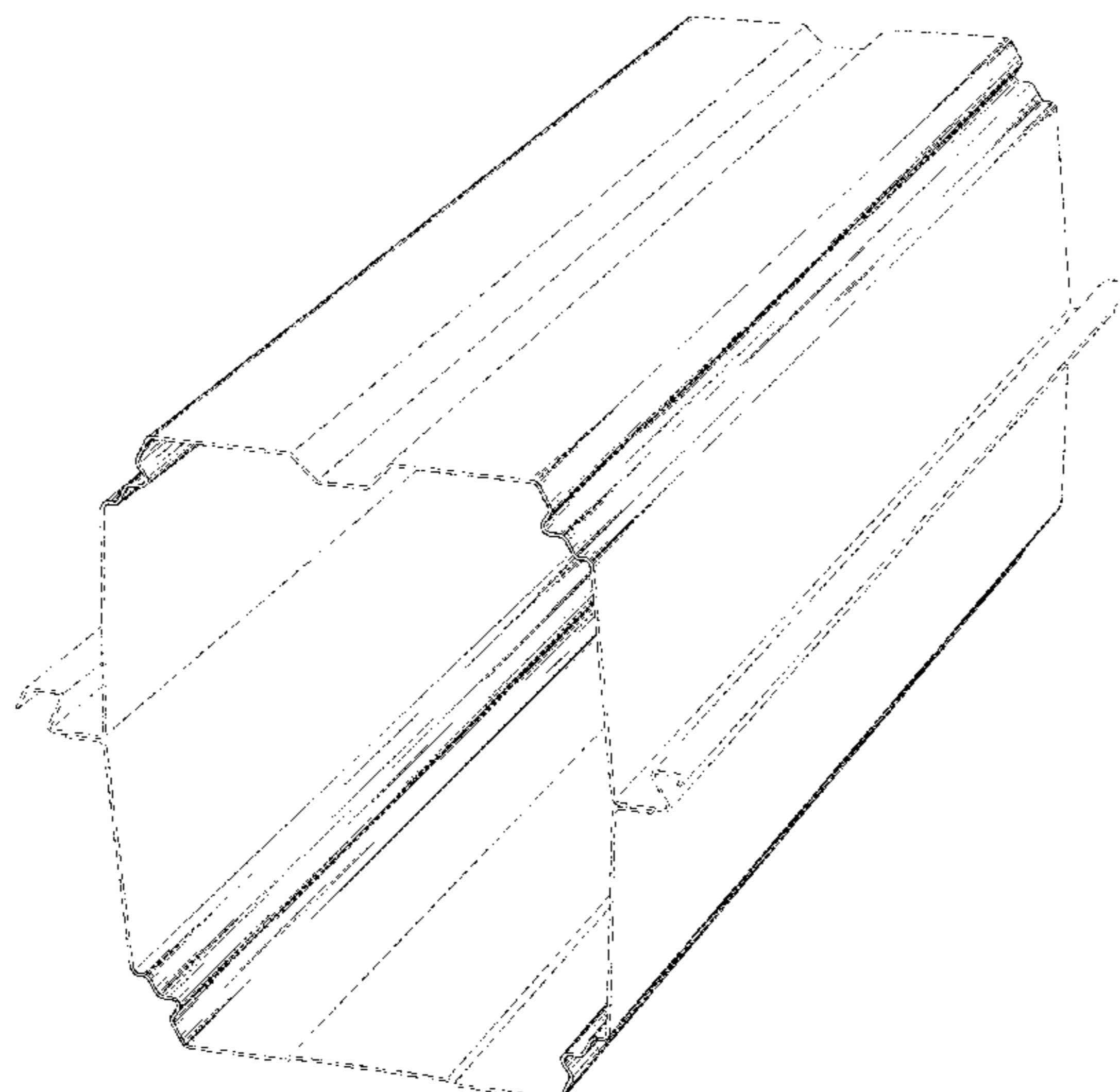
DESCRIPTION

FIG. 1 is an upper right front perspective view of decking showing my new design in accordance with a first embodiment of the present invention;
 FIG. 2 is a lower left front perspective view thereof;
 FIG. 3 is a top view thereof;
 FIG. 4 is a bottom view thereof;
 FIG. 5 is a left side view thereof;
 FIG. 6 is a right side view thereof;
 FIG. 7 is a front view thereof;
 FIG. 8 is a rear view thereof;
 FIG. 9 is an upper right front perspective view of decking showing my new design in accordance with a second embodiment of the present invention;
 FIG. 10 is a lower left front perspective view thereof;
 FIG. 11 is a top view thereof;
 FIG. 12 is a bottom view thereof;
 FIG. 13 is a left side view thereof;
 FIG. 14 is a right side view thereof;
 FIG. 15 is a front view thereof; and,
 FIG. 16 is a rear view thereof.
 The broken line showings of FIGS. 1-16 are environmental only and not part of the claimed design.

(56) **References Cited**
U.S. PATENT DOCUMENTS

2,899,028	A *	8/1959	Walker	52/579
2,975,874	A *	3/1961	Pagan	138/163
3,698,149	A *	10/1972	Baker et al.	52/844
4,987,717	A *	1/1991	Dameron, Jr.	52/844
5,205,098	A *	4/1993	Landis et al.	52/336
5,491,943	A *	2/1996	Vondrejs et al.	52/239
5,491,946	A	2/1996	Landis et al.	
5,514,432	A *	5/1996	Lisec	428/35.8
D371,208	S *	6/1996	De Zen	D25/122
6,141,935	A *	11/2000	Artner et al.	52/843
D441,876	S	5/2001	Eaton	
D443,368	S	6/2001	Eaton	
D507,665	S	7/2005	Ryan et al.	

1 Claim, 12 Drawing Sheets



US D742,549 S

Page 2

(56)

References Cited

U.S. PATENT DOCUMENTS

7,793,477 B1 9/2010 Potts
D645,576 S * 9/2011 Trower et al. D25/122
D648,445 S 11/2011 Ryan

D655,022 S 2/2012 Ryan
D661,410 S 6/2012 Ryan
D663,045 S 7/2012 Ryan
D665,516 S * 8/2012 Bergmann D25/122

* cited by examiner

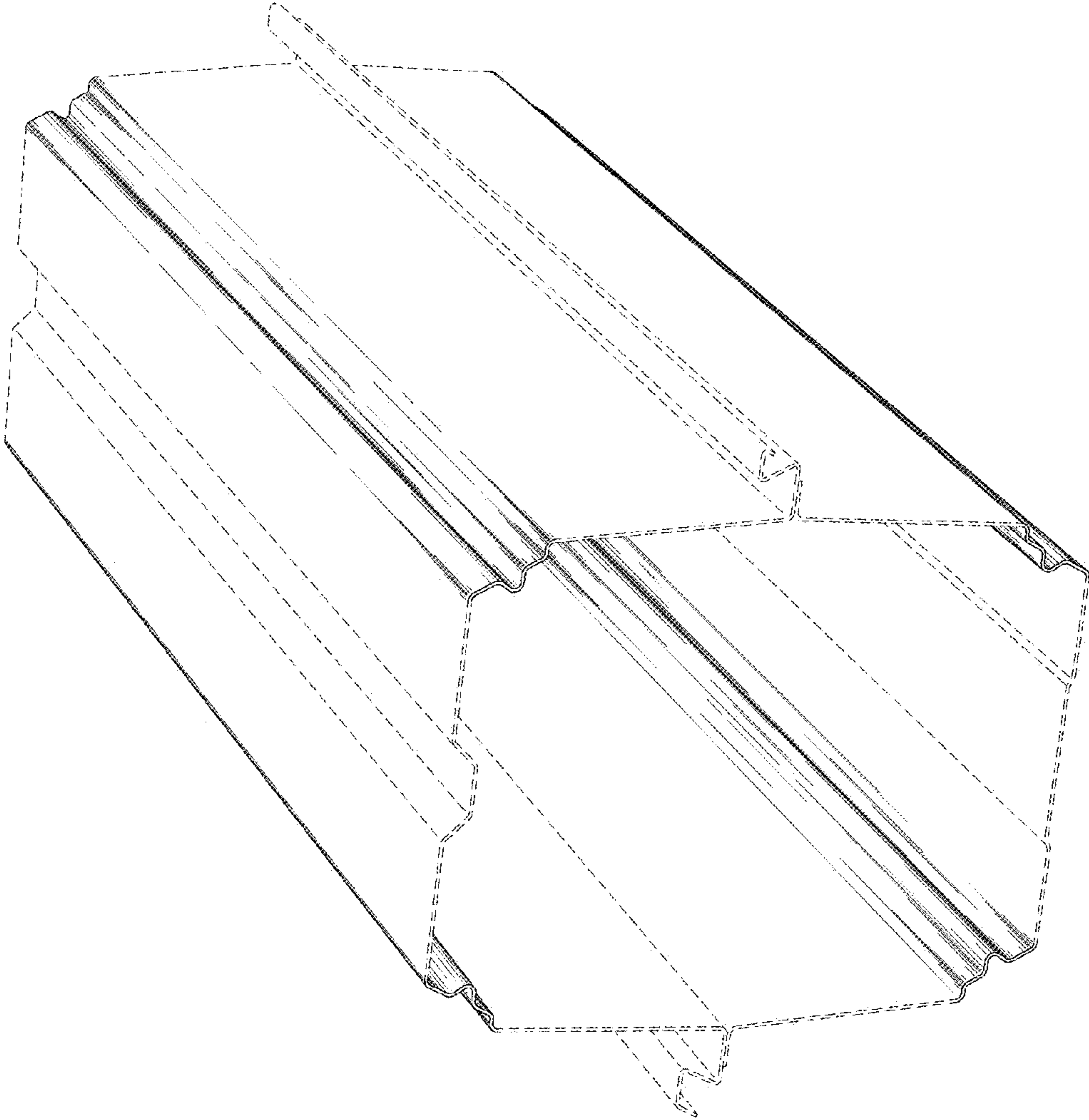


FIG. 1

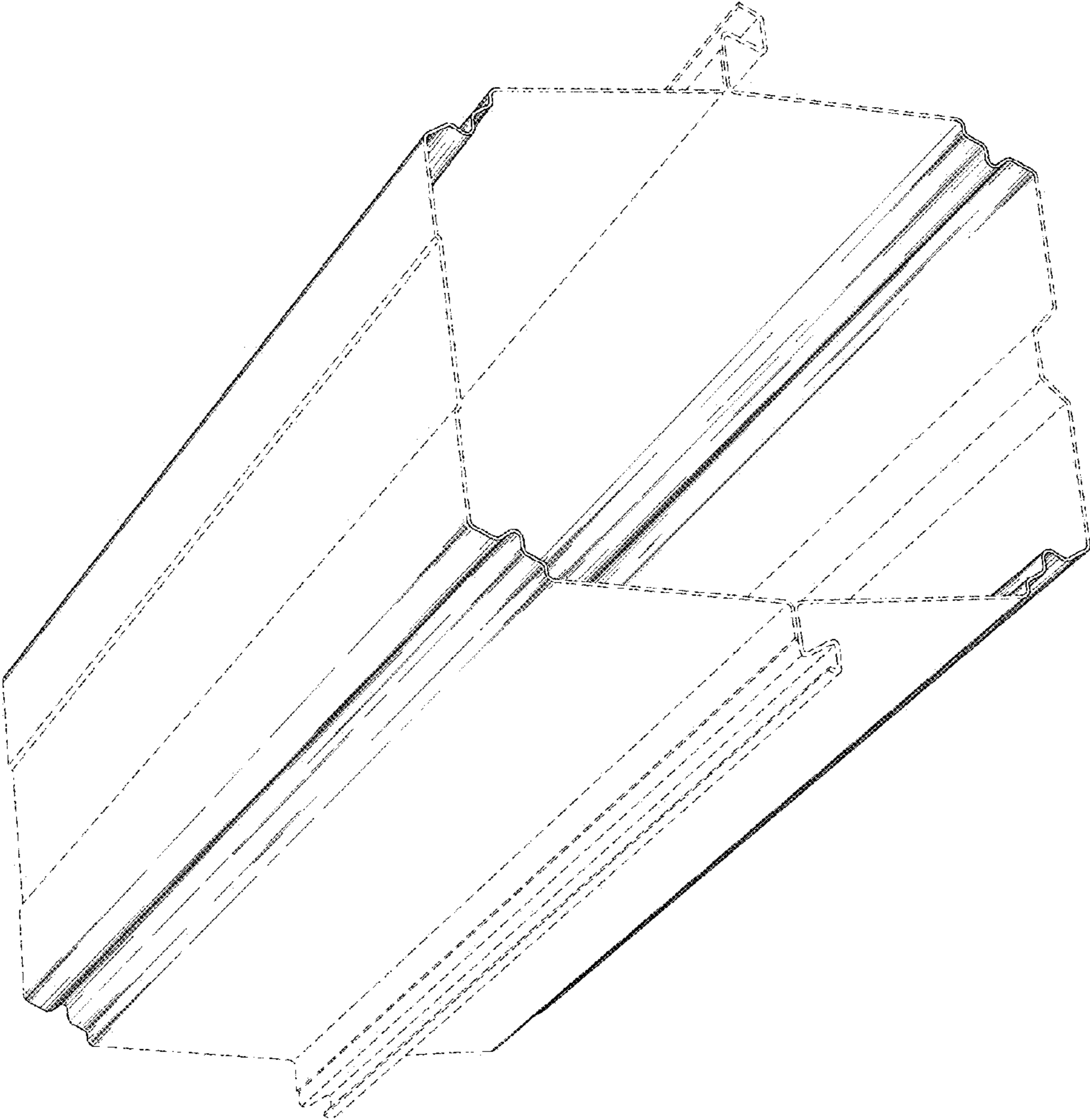


FIG. 2

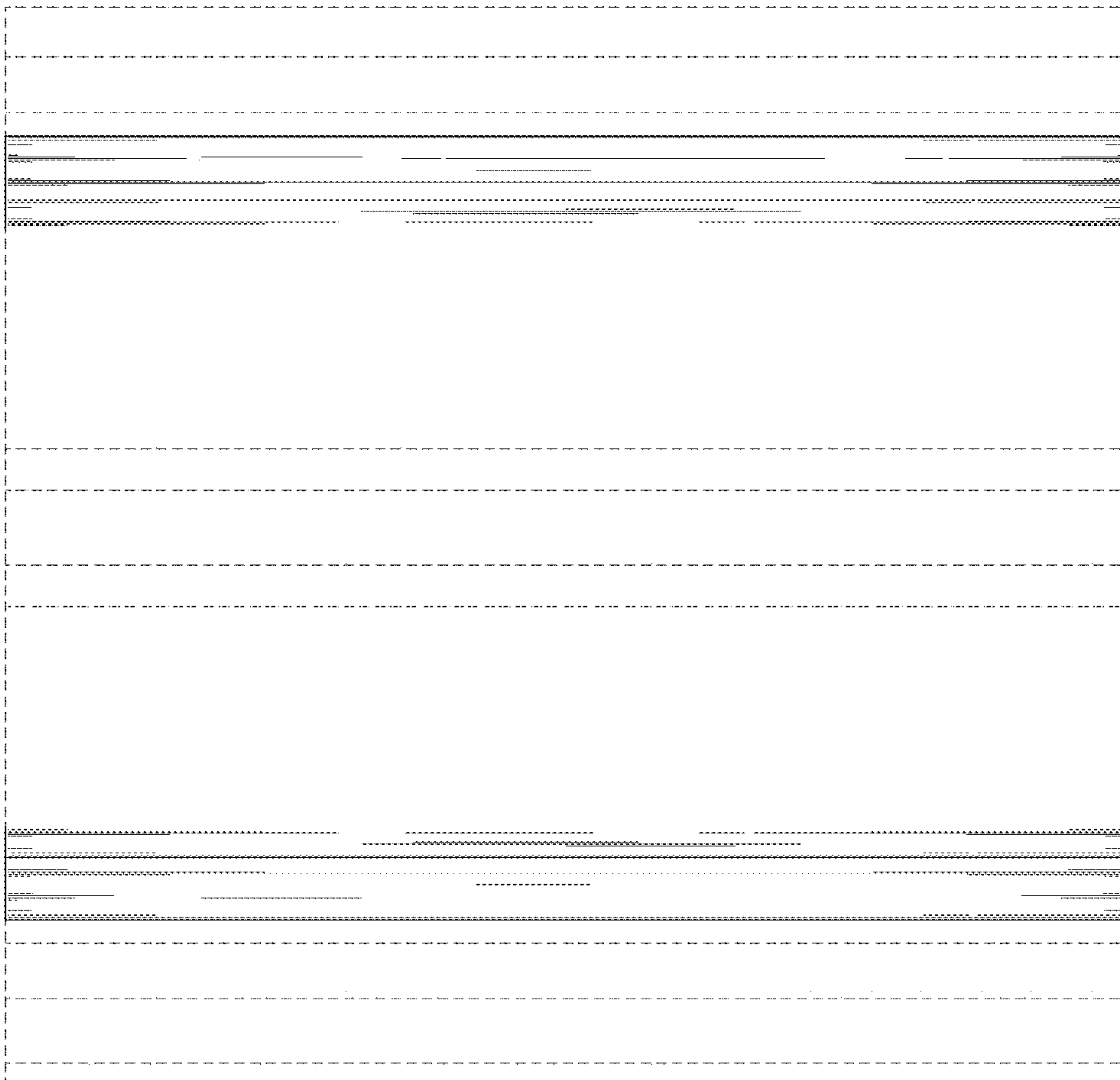


FIG. 3

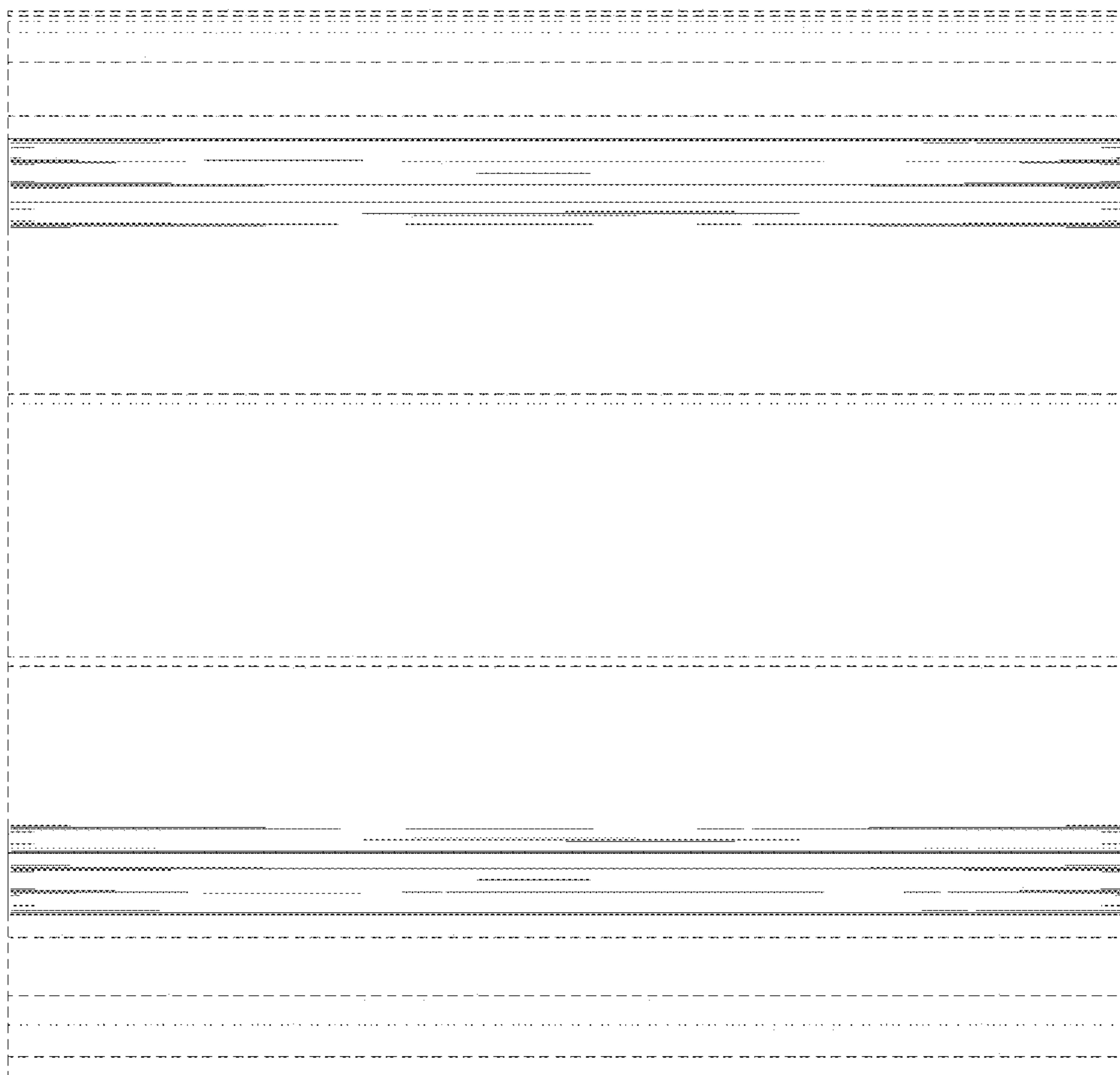


FIG. 4

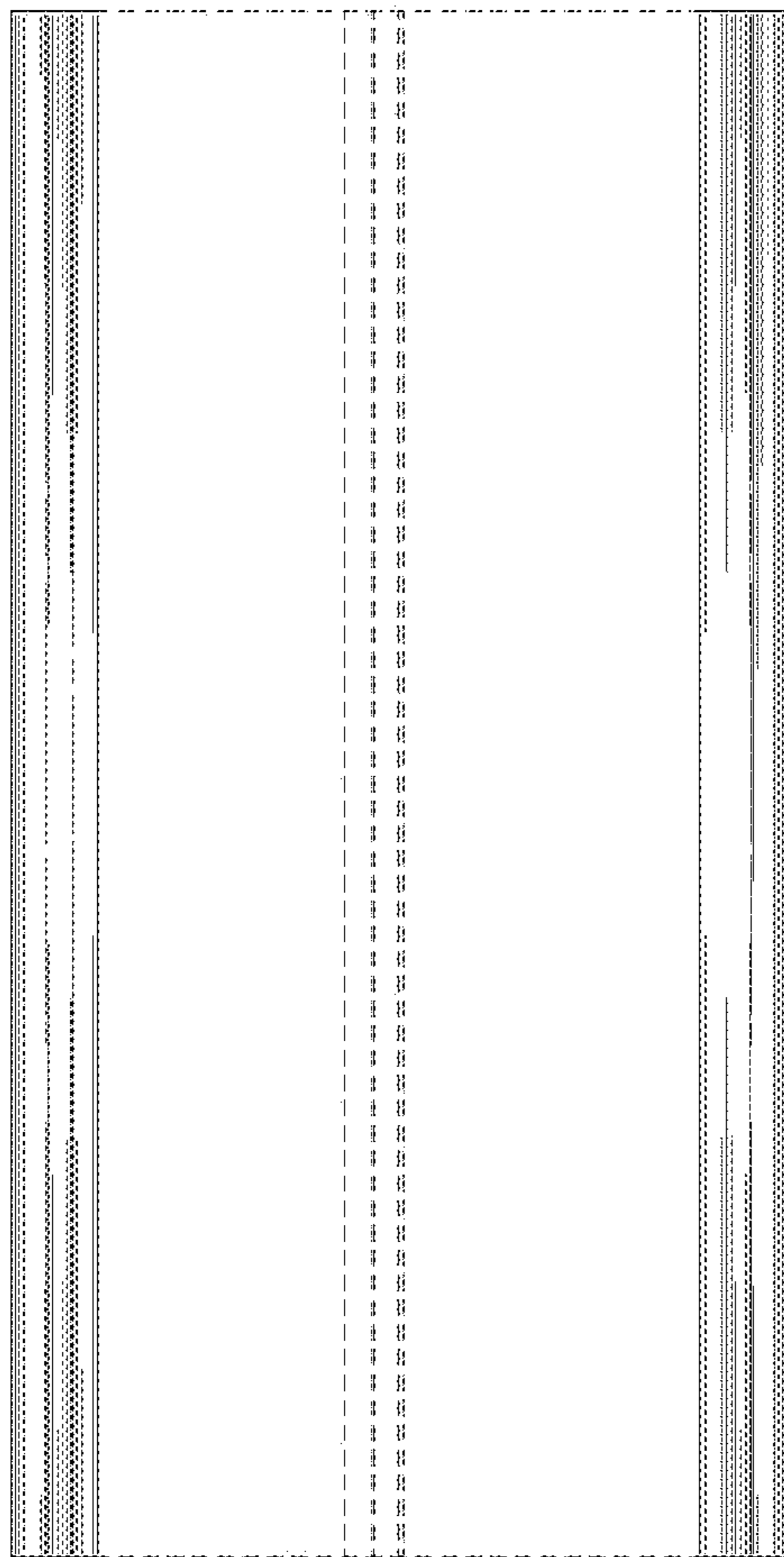


FIG. 5

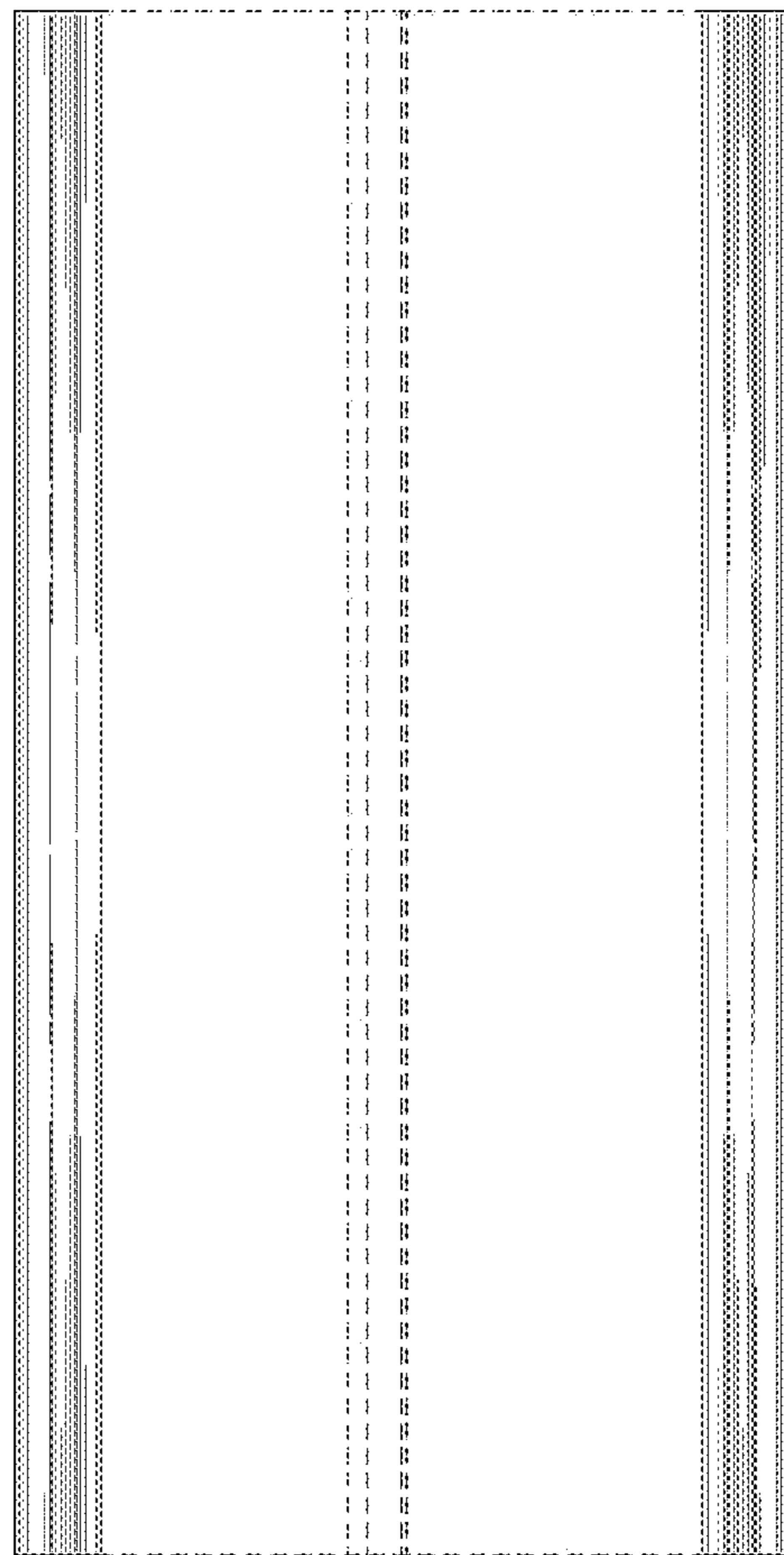


FIG. 6

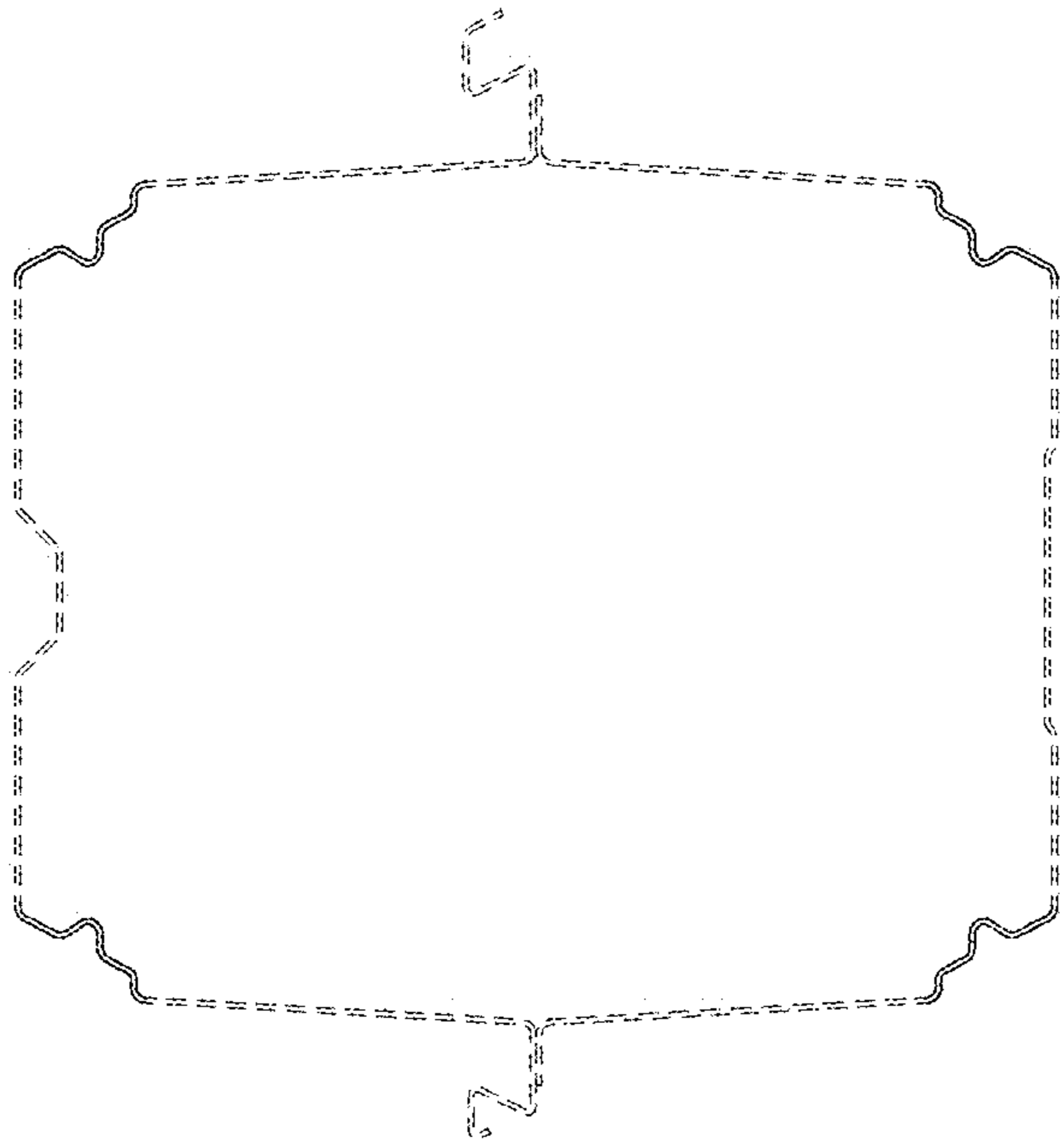


FIG. 8

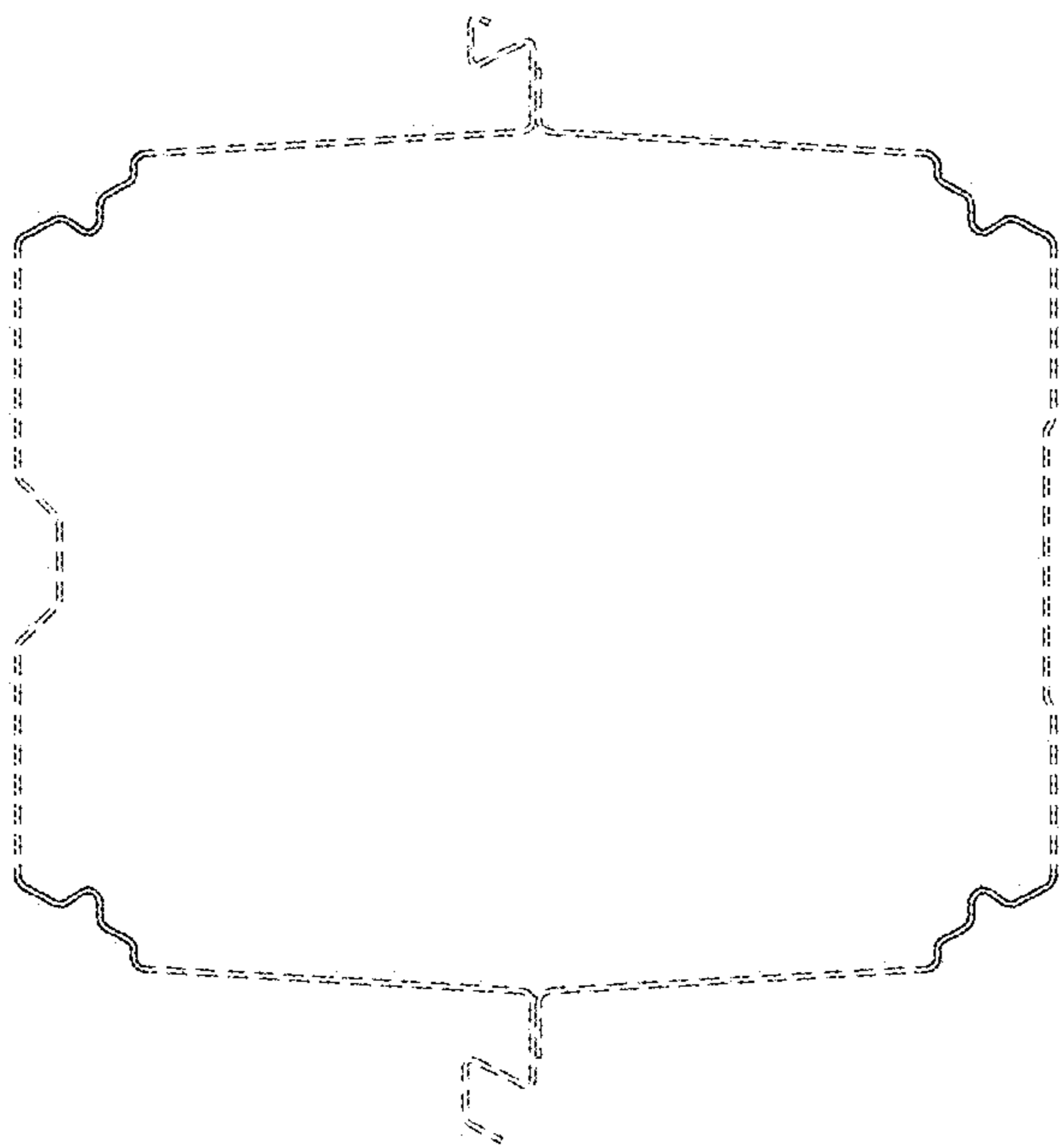


FIG. 7

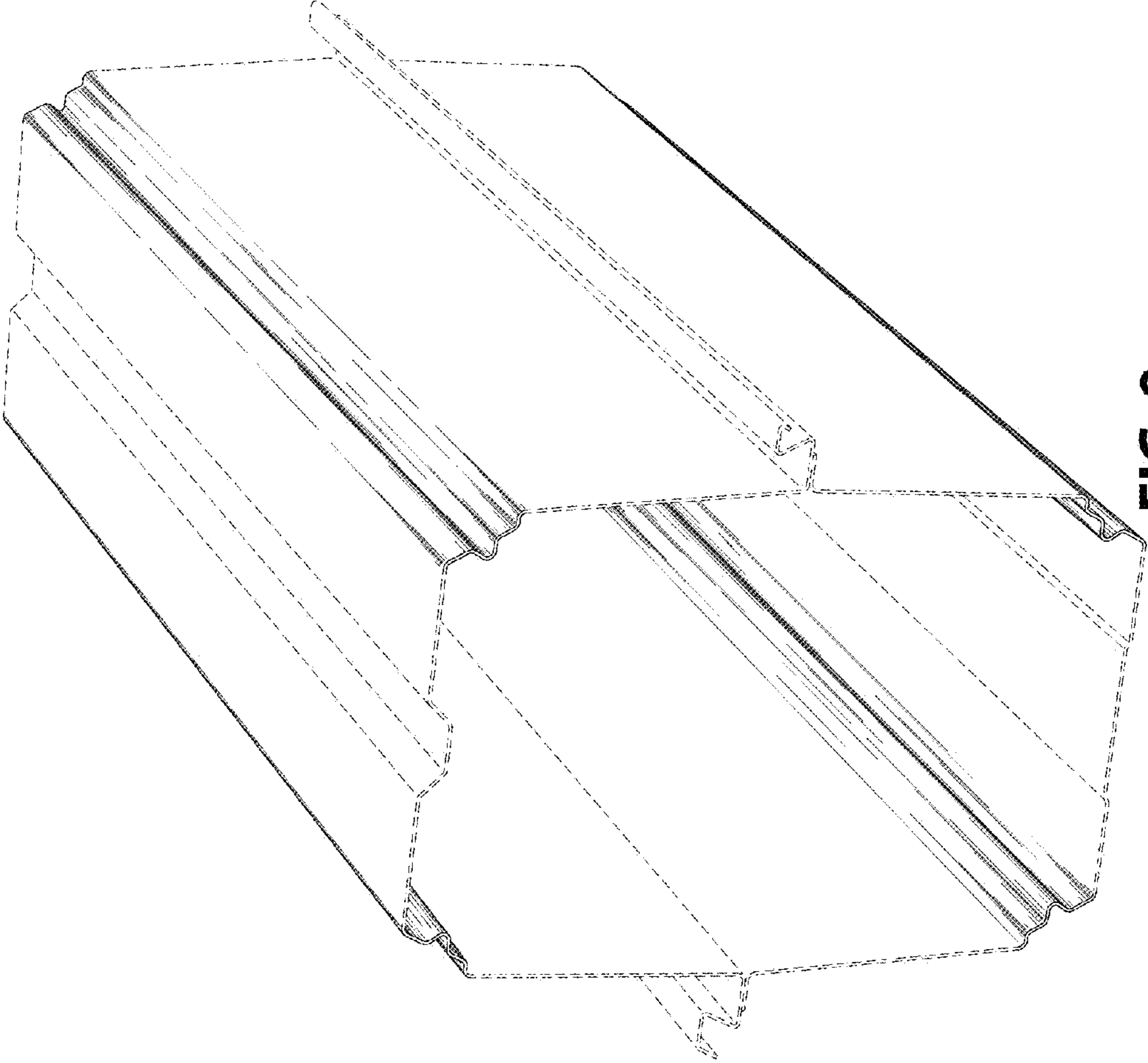


FIG. 9

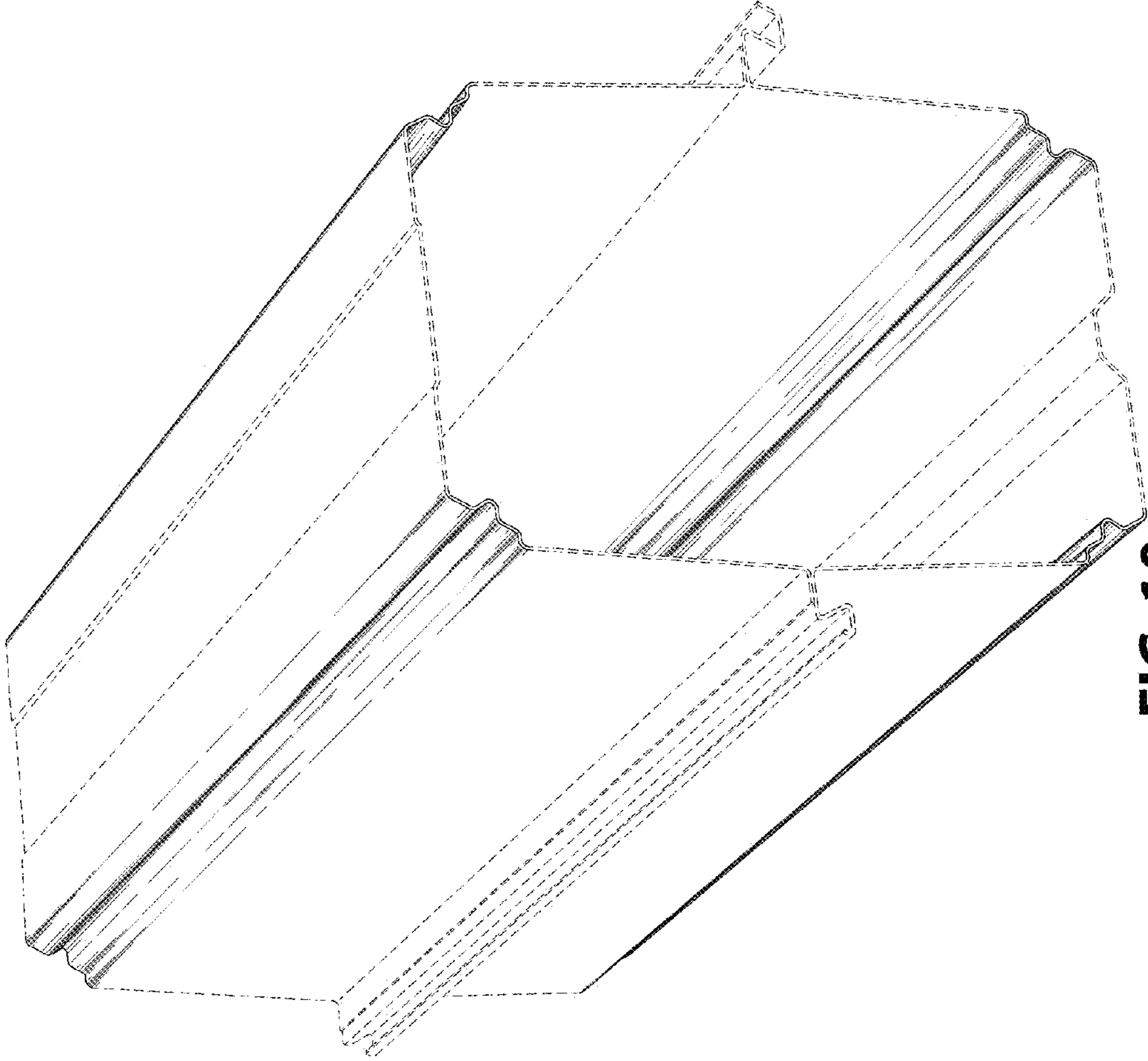


FIG. 10

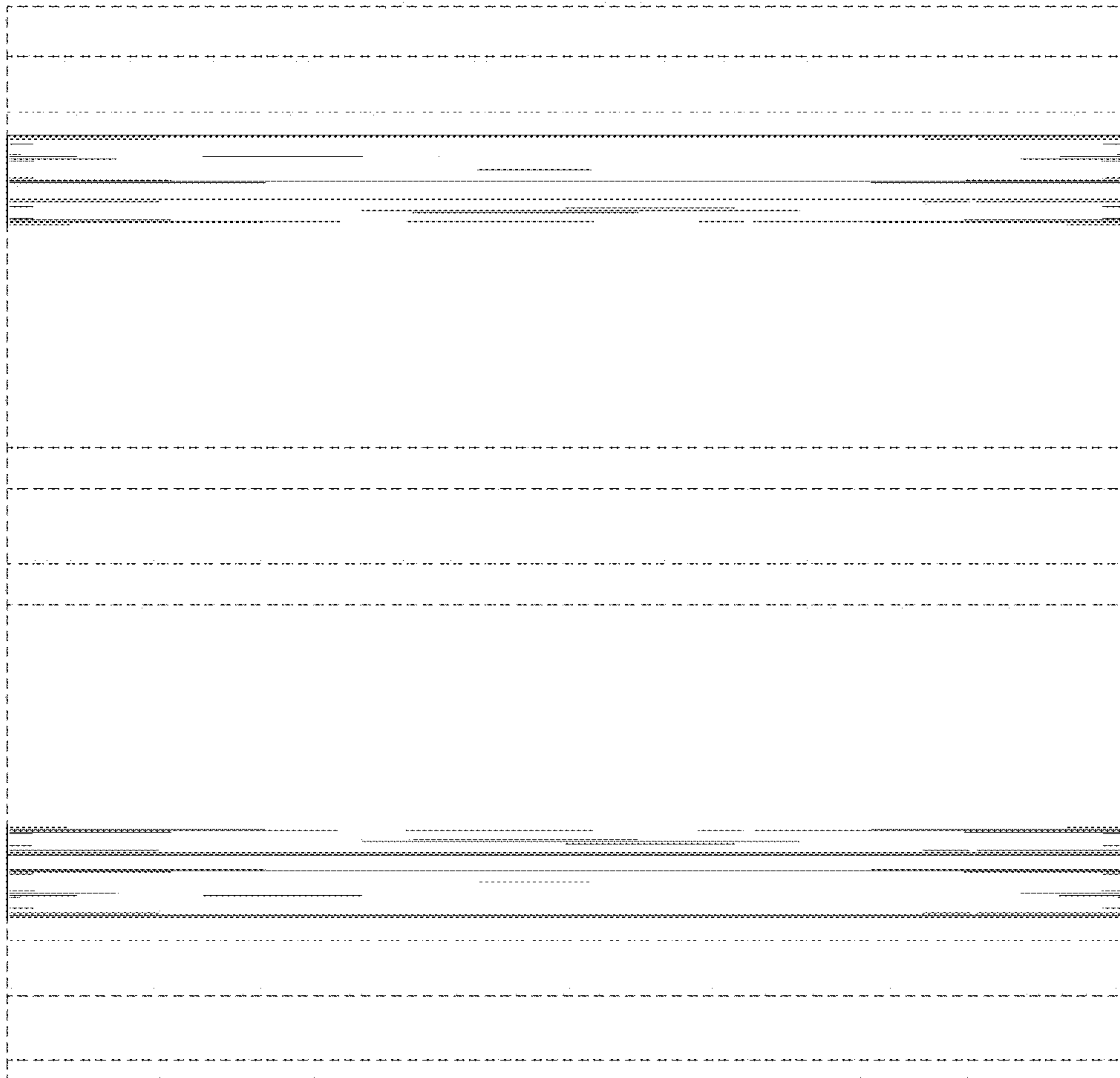


FIG. 11

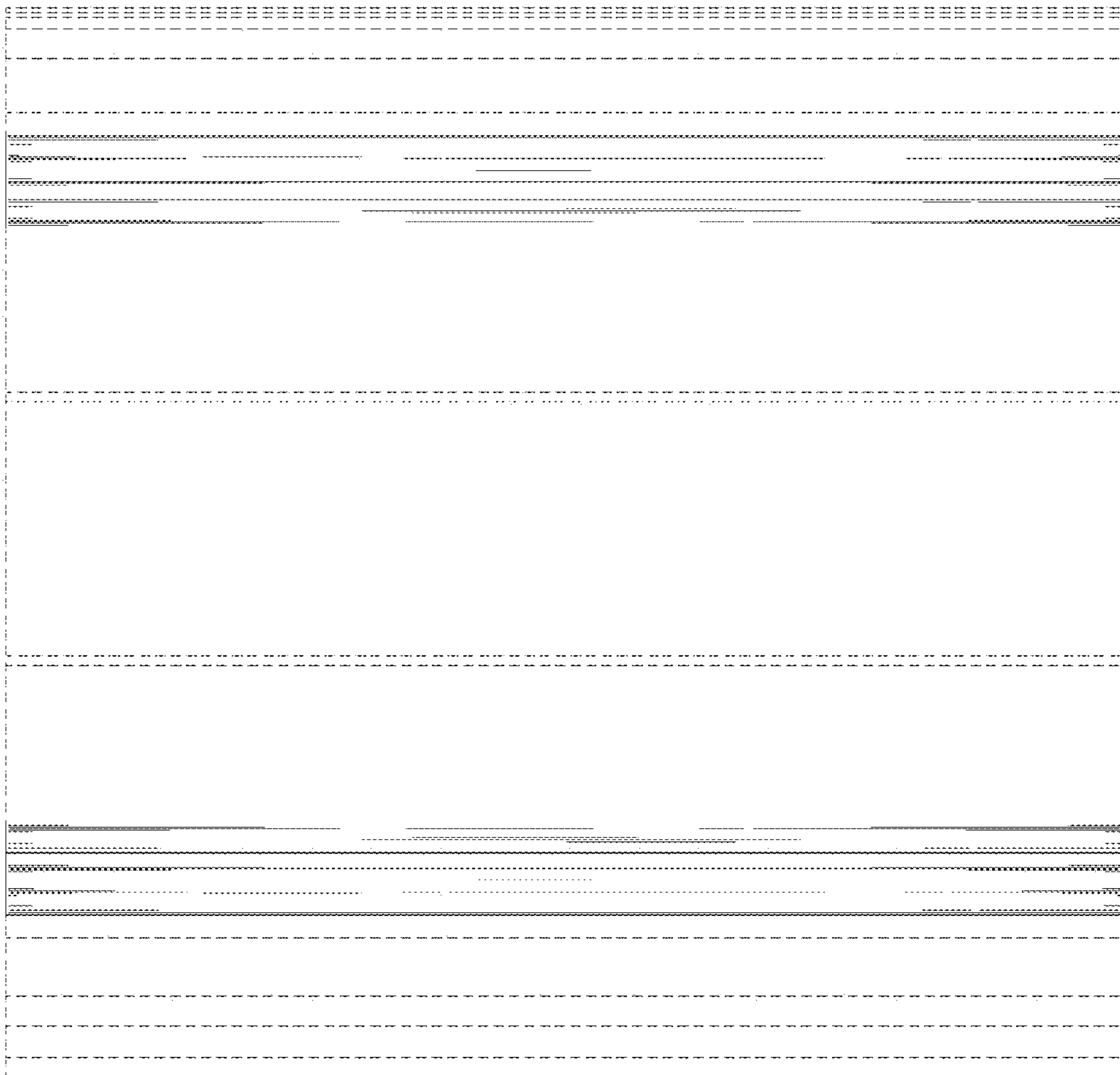


FIG. 12

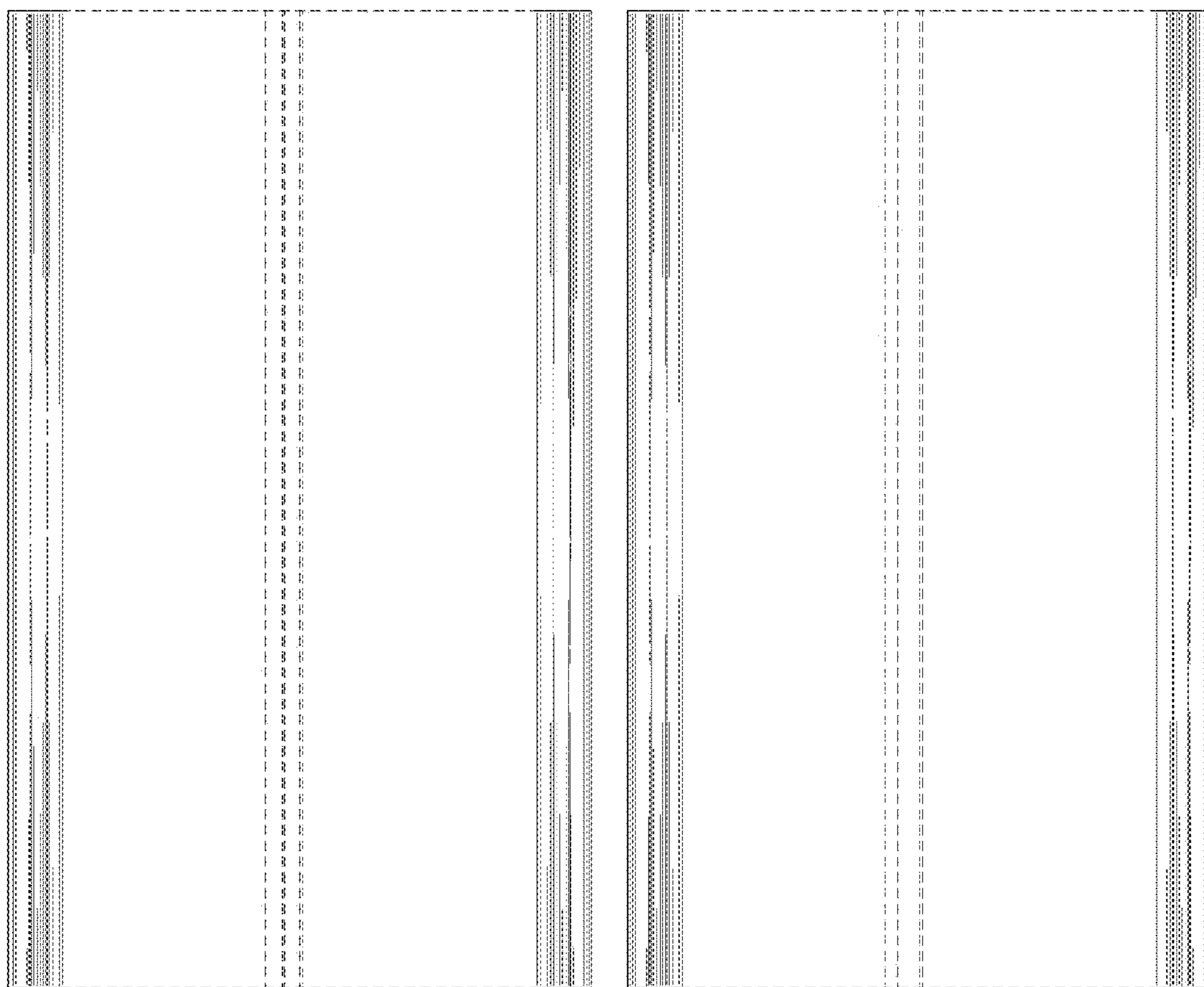


FIG. 13

FIG. 14

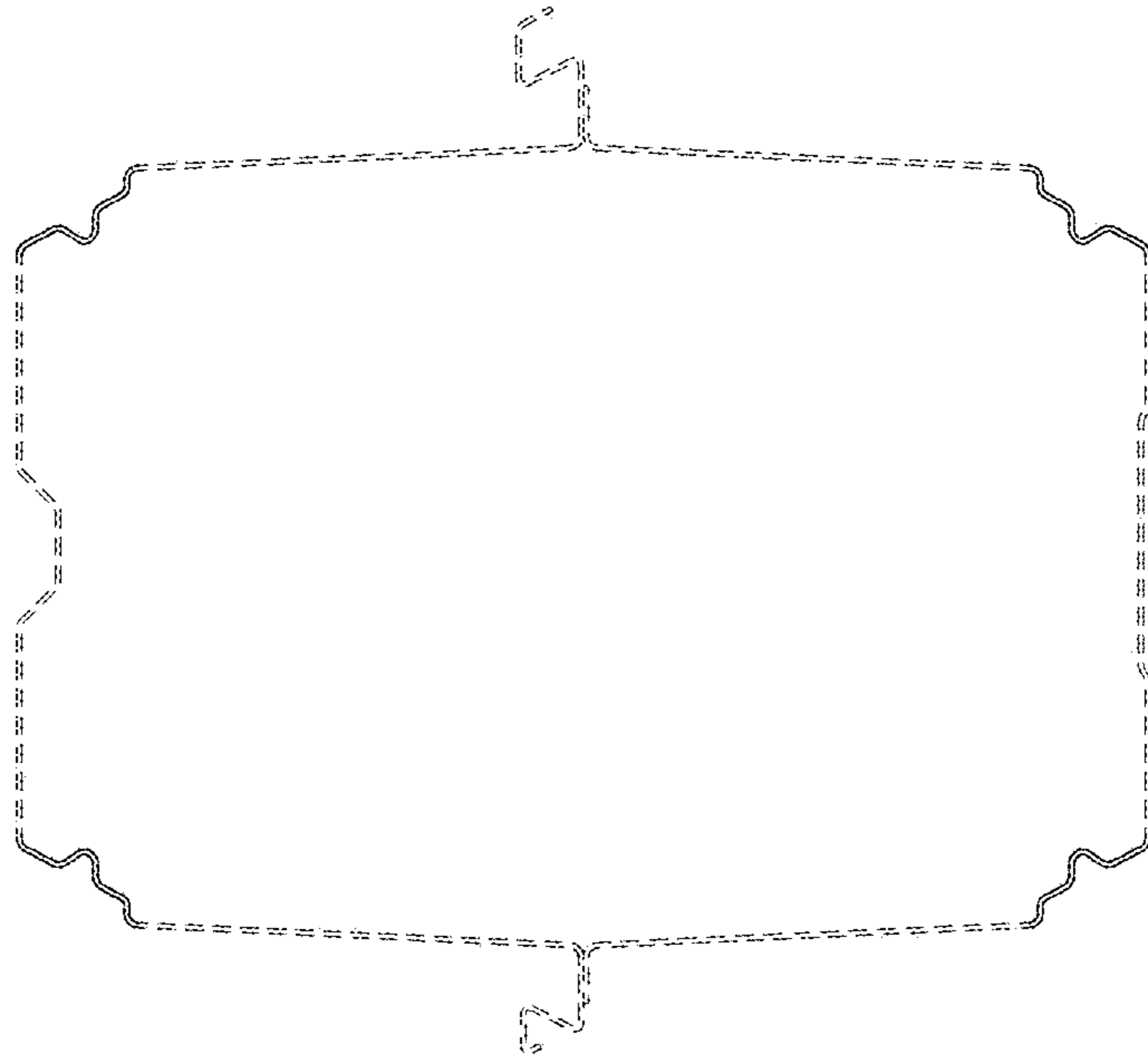


FIG. 16

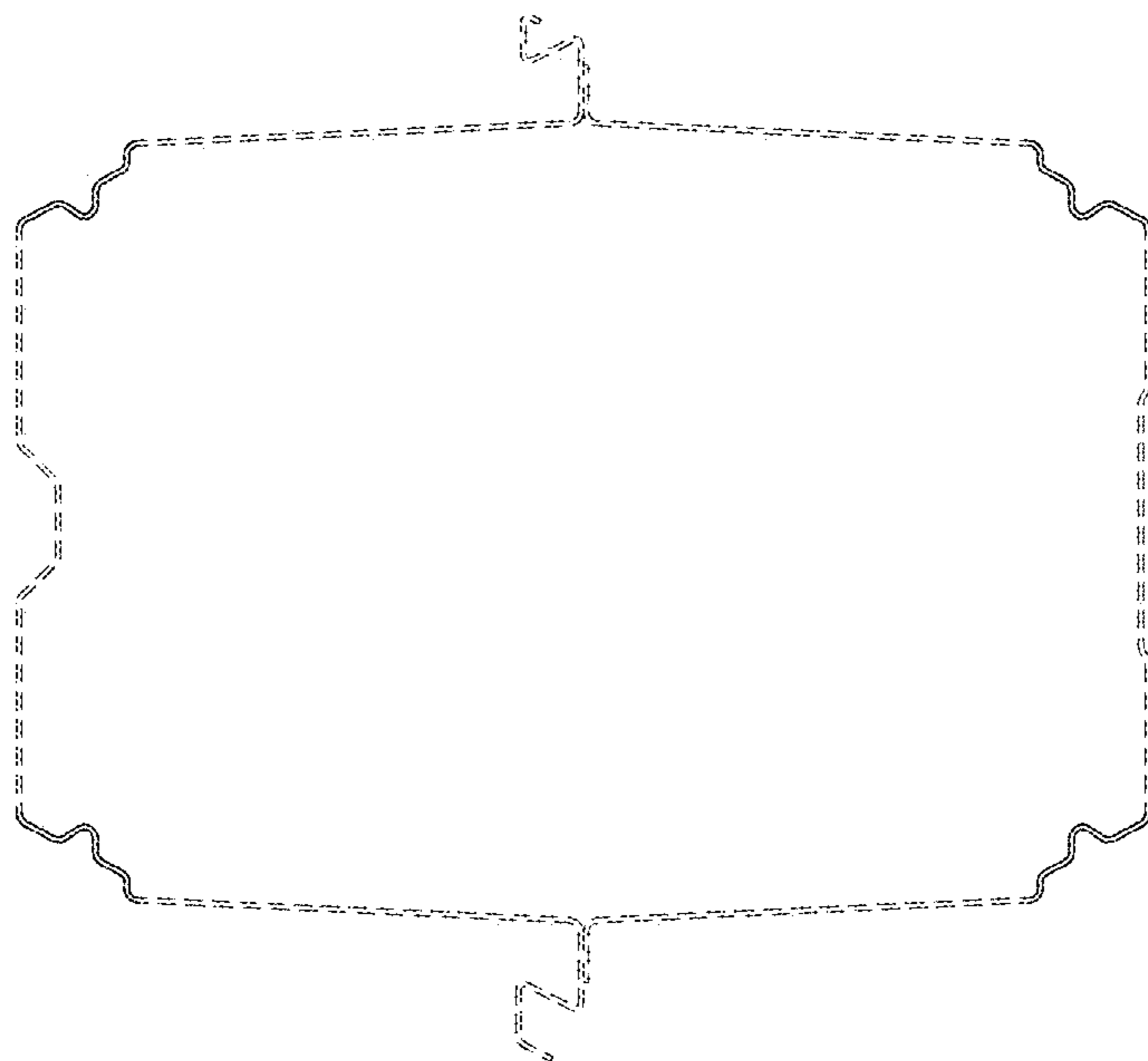


FIG. 15