

US00D742546S

(12) **United States Design Patent**
Singh

(10) **Patent No.:** **US D742,546 S**

(45) **Date of Patent:** **** Nov. 3, 2015**

- (54) **TRIM REVEAL EXTRUSION**
- (71) Applicant: **Easytrim Reveals Inc.**, Calgary (CA)
- (72) Inventor: **Joshua George Singh**, Calgary (CA)
- (73) Assignee: **EASYTRIM REVEALS INC.**, Calgary (CA)
- (**) Term: **14 Years**
- (21) Appl. No.: **29/499,705**
- (22) Filed: **Aug. 18, 2014**

Related U.S. Application Data

- (63) Continuation of application No. 29/451,480, filed on Apr. 2, 2013, now Pat. No. Des. 711,556.
- (51) **LOC (10) Cl.** **25-01**
- (52) **U.S. Cl.**
USPC **D25/119**
- (58) **Field of Classification Search**
USPC D25/119; 52/62, 169.5, 281, 282.1, 52/287.1, 288.1, 716.2, 716.8, 717.01, 52/371, 254, 255, 459, 461, 465, 471, 472, 52/792.1, 800.12, 802.1, 579, 581, 798.1, 52/800.1, 468
CPC E04B 1/00; E04B 2001/2436; E04B 2001/2448; E04B 2001/2457; E04B 2001/3288; E04B 2/74; E04B 2/76; E04F 19/00; E04F 9/022; E04F 19/026; E04F 19/04; E04F 19/024; E04F 19/061
See application file for complete search history.

(56) **References Cited**

U.S. PATENT DOCUMENTS

- 3,444,657 A * 5/1969 Swanson 52/287.1
- 3,465,488 A * 9/1969 Miller 52/481.1
- 3,483,665 A * 12/1969 Miller 52/461

- 3,485,001 A * 12/1969 Miller 52/281
- 3,855,746 A * 12/1974 Leggiere 52/213
- 4,624,087 A * 11/1986 Schneller 52/254
- 5,960,598 A * 10/1999 Tamlyn 52/254
- 6,018,924 A * 2/2000 Tamlyn 52/716.8
- D423,690 S * 4/2000 Grosfillex D25/119
- D425,215 S * 5/2000 Ginzel D25/119
- 6,189,273 B1 * 2/2001 Larson 52/255
- 6,219,980 B1 * 4/2001 Peck, Jr. 52/288.1
- 6,298,555 B1 * 10/2001 Vincenti 29/890.14
- 6,438,914 B1 * 8/2002 Robertson 52/255
- 6,470,638 B1 * 10/2002 Larson 52/302.1
- D471,794 S * 3/2003 Wall D8/382
- 6,691,476 B1 * 2/2004 Kunz 52/287.1
- 6,698,144 B1 * 3/2004 Larson 52/202
- 6,729,086 B2 * 5/2004 Razetto 52/287.1
- 6,735,912 B2 * 5/2004 Riggio 52/235
- D525,370 S * 7/2006 Levi-Senigaglia D25/119
- D544,105 S * 6/2007 Flechsig D25/119
- D554,773 S * 11/2007 Antonic D25/119
- 2002/0088189 A1 * 7/2002 Honda 52/287.1
- 2007/0266655 A1 * 11/2007 Howe et al. 52/282.1
- 2008/0172961 A1 * 7/2008 Wu 52/282.1

OTHER PUBLICATIONS

Easytrim Reveals—Product Guide, Features and Benefits, downloaded as early as Feb. 4, 2012.

* cited by examiner

Primary Examiner — Doris Clark

(74) *Attorney, Agent, or Firm* — Miller Thomson LLP; Tai W. Nahm

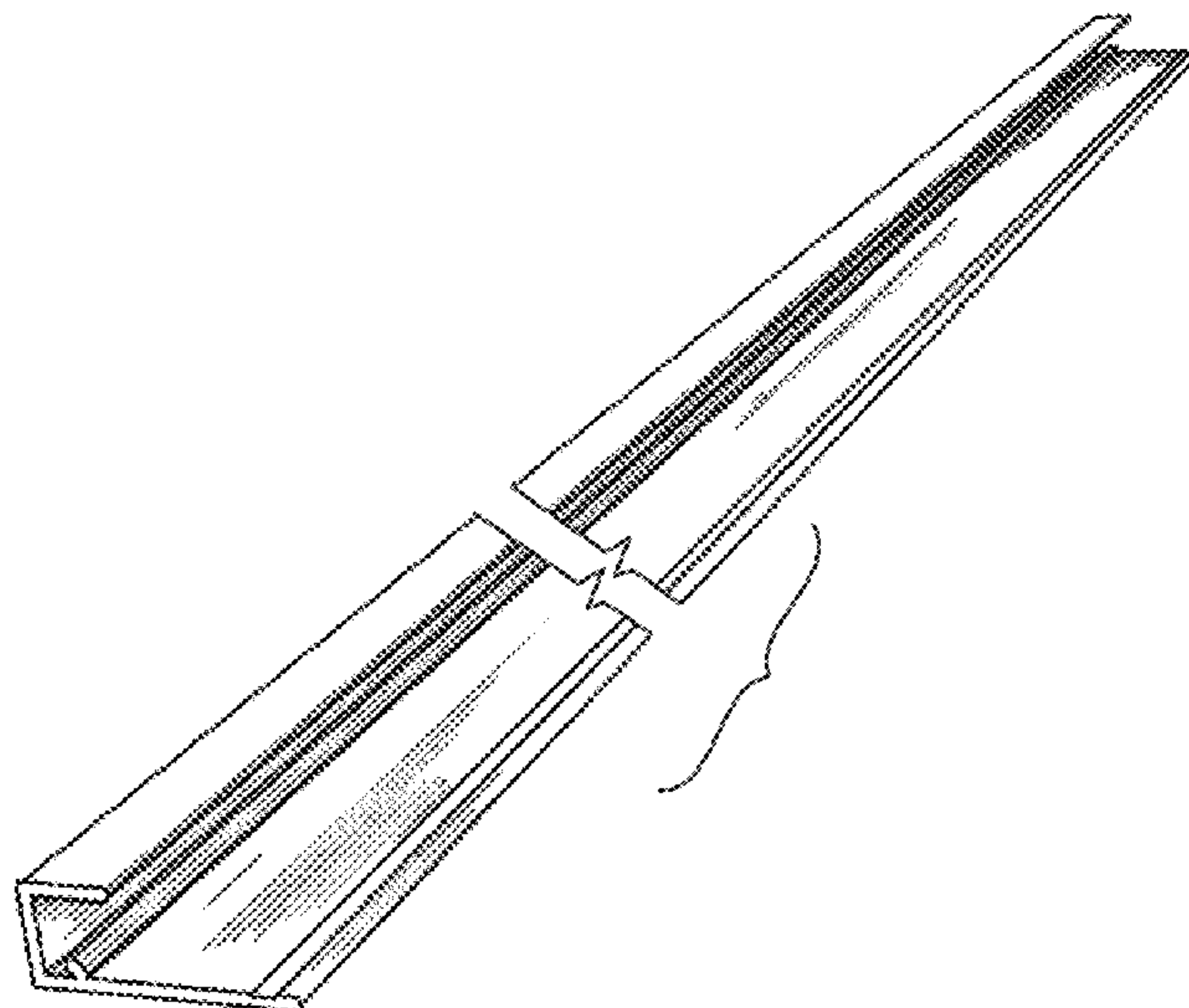
(57) **CLAIM**

The ornamental design for a trim reveal extrusion, as shown.

DESCRIPTION

FIG. 1 illustrates a perspective view of a trim reveal extrusion of indeterminate length comprising a new design; and, FIG. 2 is a detailed end elevational view thereof at a larger scale.

1 Claim, 1 Drawing Sheet



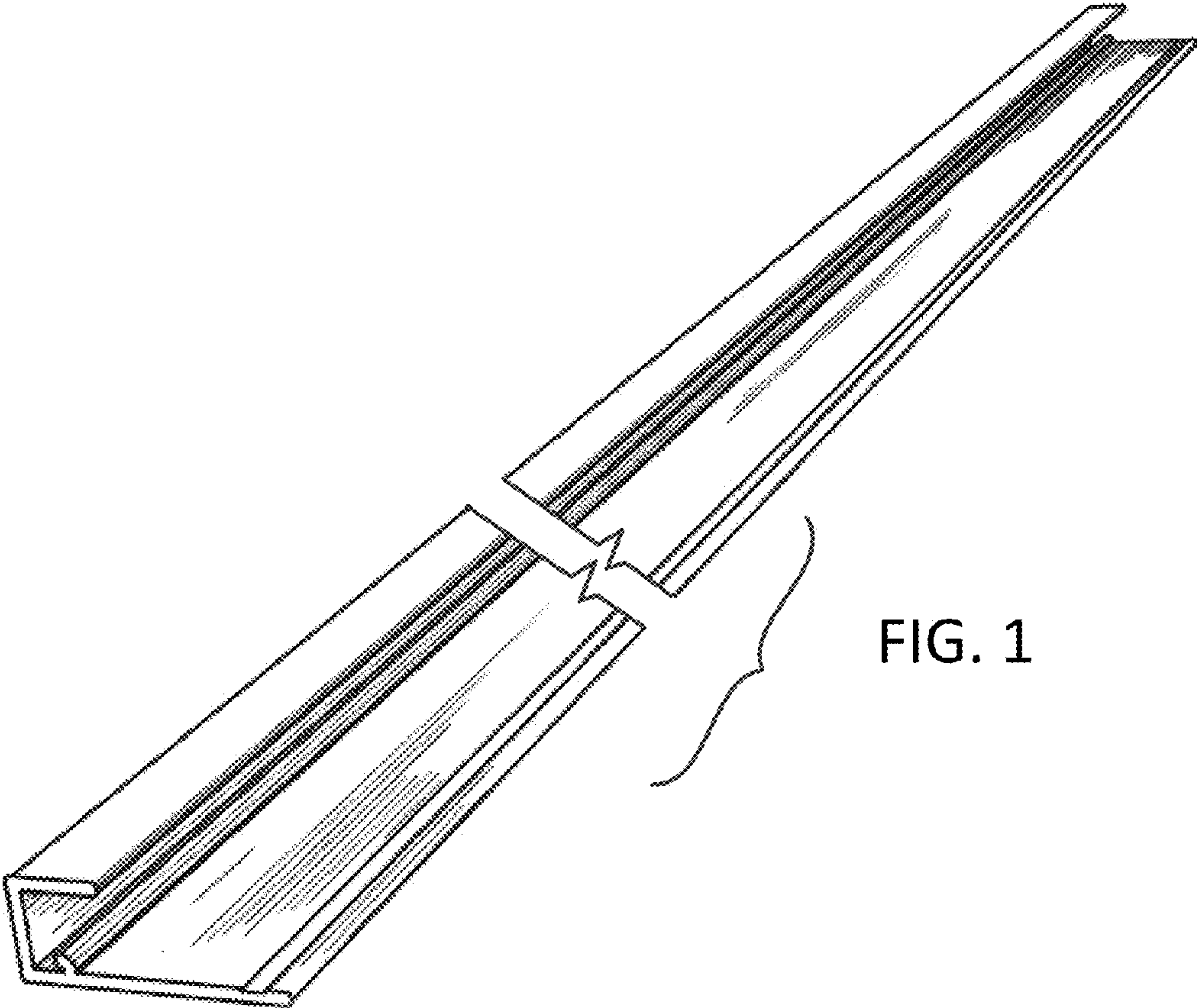


FIG. 1

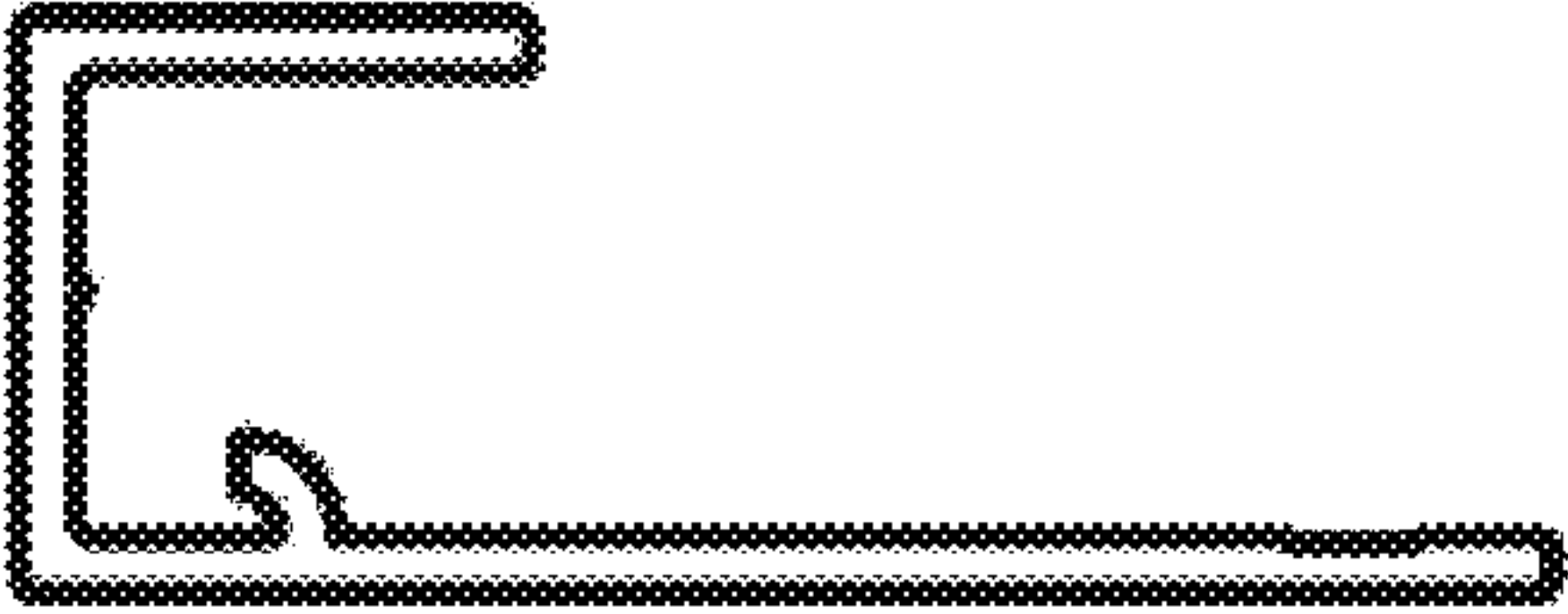


FIG. 2