



US00D742536S

(12) **United States Design Patent**
Ghosh et al.

(10) **Patent No.:** **US D742,536 S**
(45) **Date of Patent:** **** Nov. 3, 2015**

(54) **MEDICAL INSTRUMENT CAP**

(71) Applicant: **Tata Consultancy Services Limited**,
Maharashtra (IN)

(72) Inventors: **Deb Kumar Ghosh**, West Bengal (IN);
Tapas Chakravarty, West Bengal (IN)

(73) Assignee: **TATA CONSULTANCY SERVICES LIMITED**,
Maharashtra (IN)

(**) Term: **14 Years**

(21) Appl. No.: **29/504,988**

(22) Filed: **Oct. 10, 2014**

Related U.S. Application Data

(63) Continuation-in-part of application No. 29/411,577,
filed on Jan. 24, 2012.

(30) **Foreign Application Priority Data**

Nov. 16, 2011 (IN) 240781

(51) **LOC (10) Cl.** **24-00**

(52) **U.S. Cl.**
USPC **D24/231**

(58) **Field of Classification Search**

USPC D24/137, 138, 140, 150, 157, 225, 160,
D24/162, 166, 172, 174, 177, 183, 185, 186,
D24/199, 216, 227, 230, 231, 232, 234,
D24/454; D9/452, 454; 351/200–203, 218,
351/221, 224, 243, 246, 239; D23/209
See application file for complete search history.

(56) **References Cited**

U.S. PATENT DOCUMENTS

D384,282 S * 9/1997 Wong D9/443
D528,419 S * 9/2006 Robinson D9/454

(Continued)

Primary Examiner — Holly Baynham

Assistant Examiner — Rhea Shields

(74) *Attorney, Agent, or Firm* — Thompson Hine LLP

(57) **CLAIM**

The ornamental design of the medical instrument cap, as shown and described.

DESCRIPTION

FIG. 1 is a side, exploded, perspective view of a medical instrument cap;

FIG. 2 is a back, exploded, plan view of the medical instrument cap of FIG. 1;

FIG. 3 is a front, exploded, plan view of the medical instrument cap of FIG. 1;

FIG. 4 is a right hand, exploded, plan view of the medical instrument cap of FIG. 1;

FIG. 5 is a left hand, exploded, plan view of the medical instrument cap of FIG. 1;

FIG. 6 is a top, plan view of the medical instrument cap of FIG. 1;

FIG. 7 is bottom, plan view of the medical instrument cap of FIG. 1;

FIG. 8 is a front, exploded, perspective view of an medical instrument cap;

FIG. 9 is a back, exploded, plan view of the medical instrument cap of FIG. 8;

FIG. 10 is a front, exploded, plan view of the medical instrument cap of FIG. 8;

FIG. 11 is a right hand, exploded, plan view of the medical instrument cap of FIG. 8;

FIG. 12 is a left hand, exploded, plan view of the medical instrument cap of FIG. 8;

FIG. 13 is a top, plan view of the medical instrument cap of FIG. 8;

FIG. 14 is bottom, plan view of the medical instrument cap of FIG. 8;

FIG. 15 is a side, perspective, assembled view of the medical instrument cap of FIG. 8.

FIG. 16 is a back, plan view of the medical instrument cap of FIG. 15;

FIG. 17 is a front, plan view of the medical instrument cap of FIG. 15;

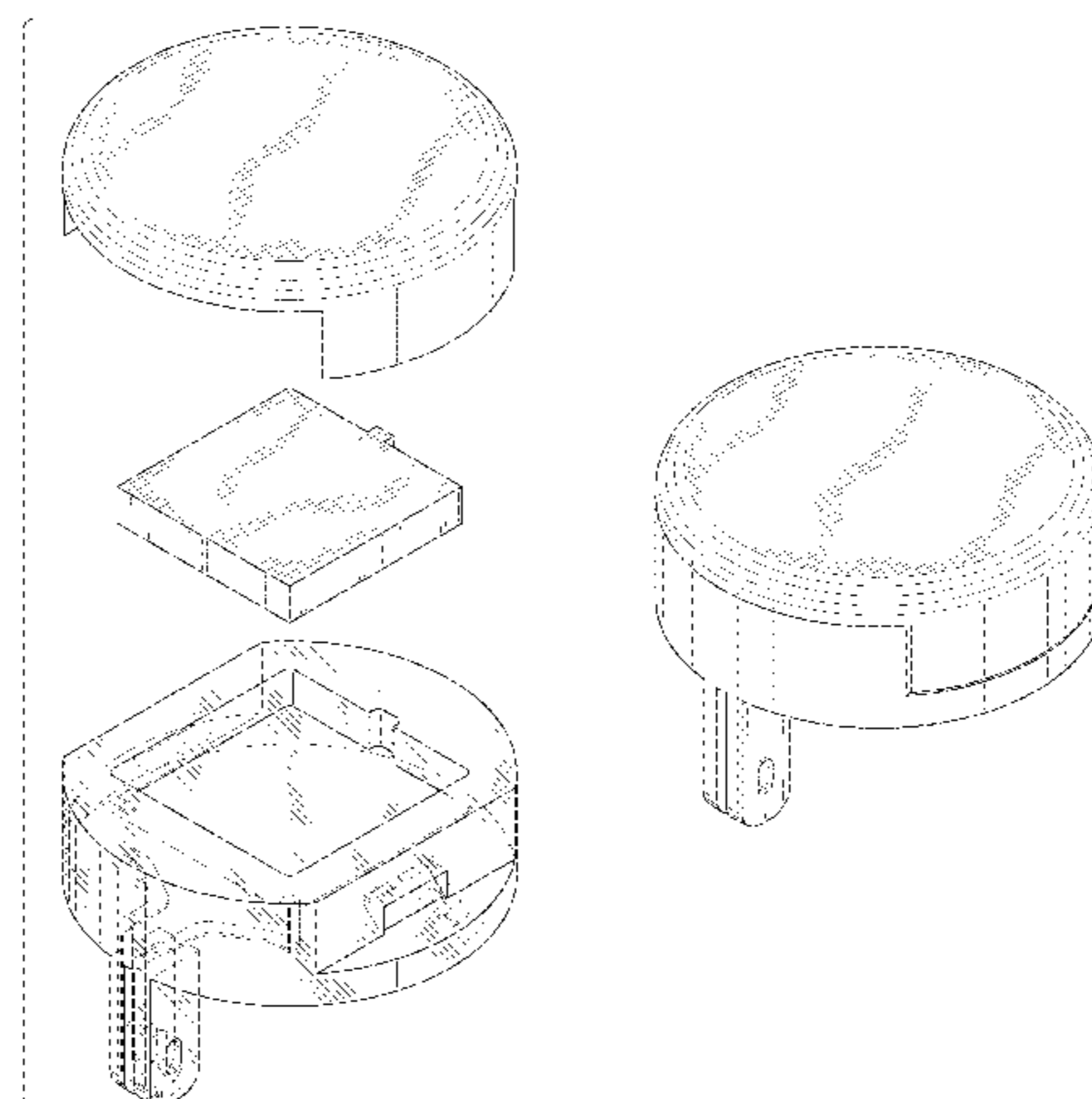
FIG. 18 is a right hand, plan view of the medical instrument cap of FIG. 15;

FIG. 19 is a left hand, plan view of the medical instrument cap of FIG. 15;

FIG. 20 is a top, plan view of the medical instrument cap of FIG. 15; and,

FIG. 21 is a bottom, plan view of the medical instrument cap of FIG. 15.

1 Claim, 16 Drawing Sheets



(56)

References Cited

U.S. PATENT DOCUMENTS

D531,036 S * 10/2006 Bried et al. D9/504
D545,677 S * 7/2007 Mavin et al. D9/452
D588,925 S * 3/2009 DeMarco D9/558
D619,656 S * 7/2010 Trombly D19/77

D668,149 S * 10/2012 Bessinger et al. D9/436
D668,153 S * 10/2012 Mavin et al. D9/449
D678,503 S * 3/2013 Schmidt et al. D24/108
D678,769 S * 3/2013 Kawamura D9/452
D678,770 S * 3/2013 Kawamura D9/452
D678,771 S * 3/2013 Kawamura D9/454

* cited by examiner

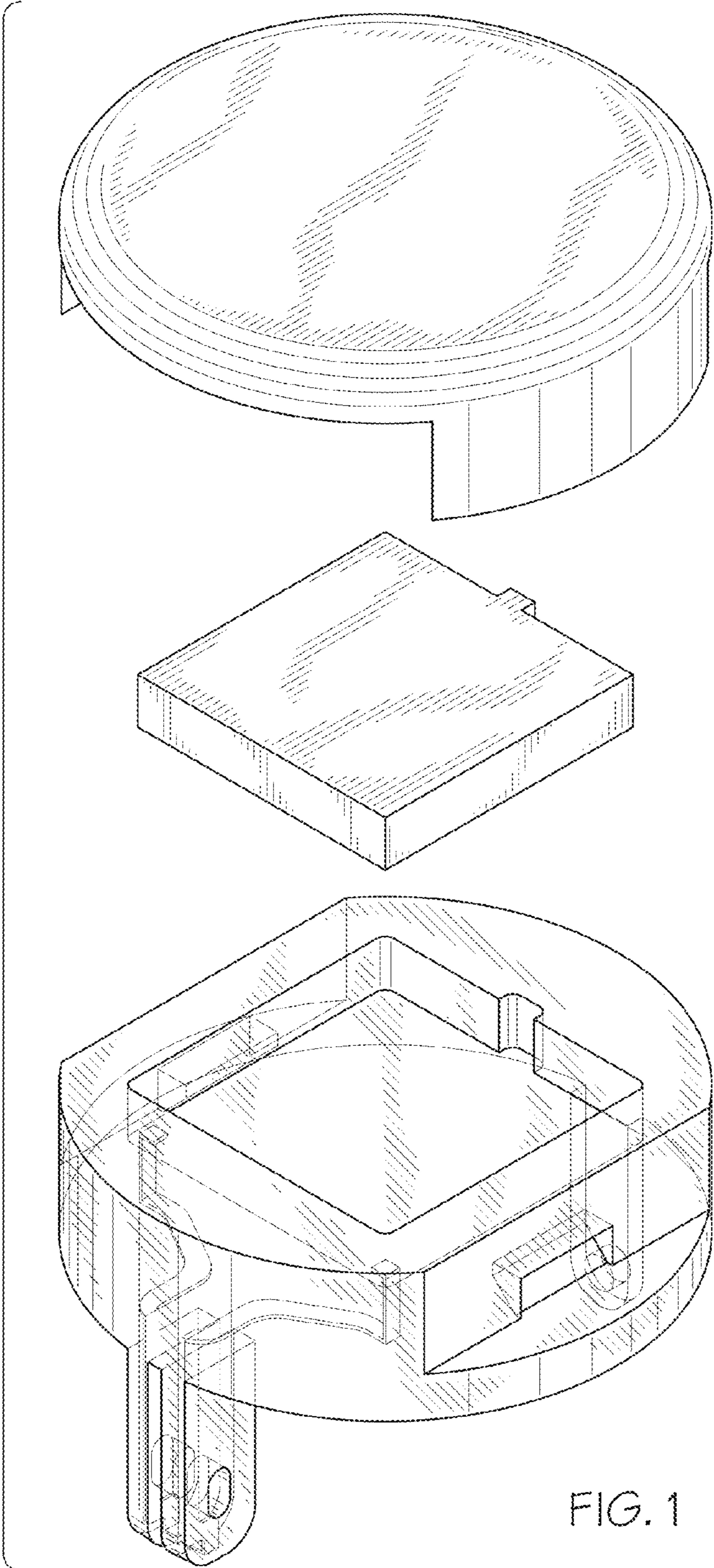


FIG. 1

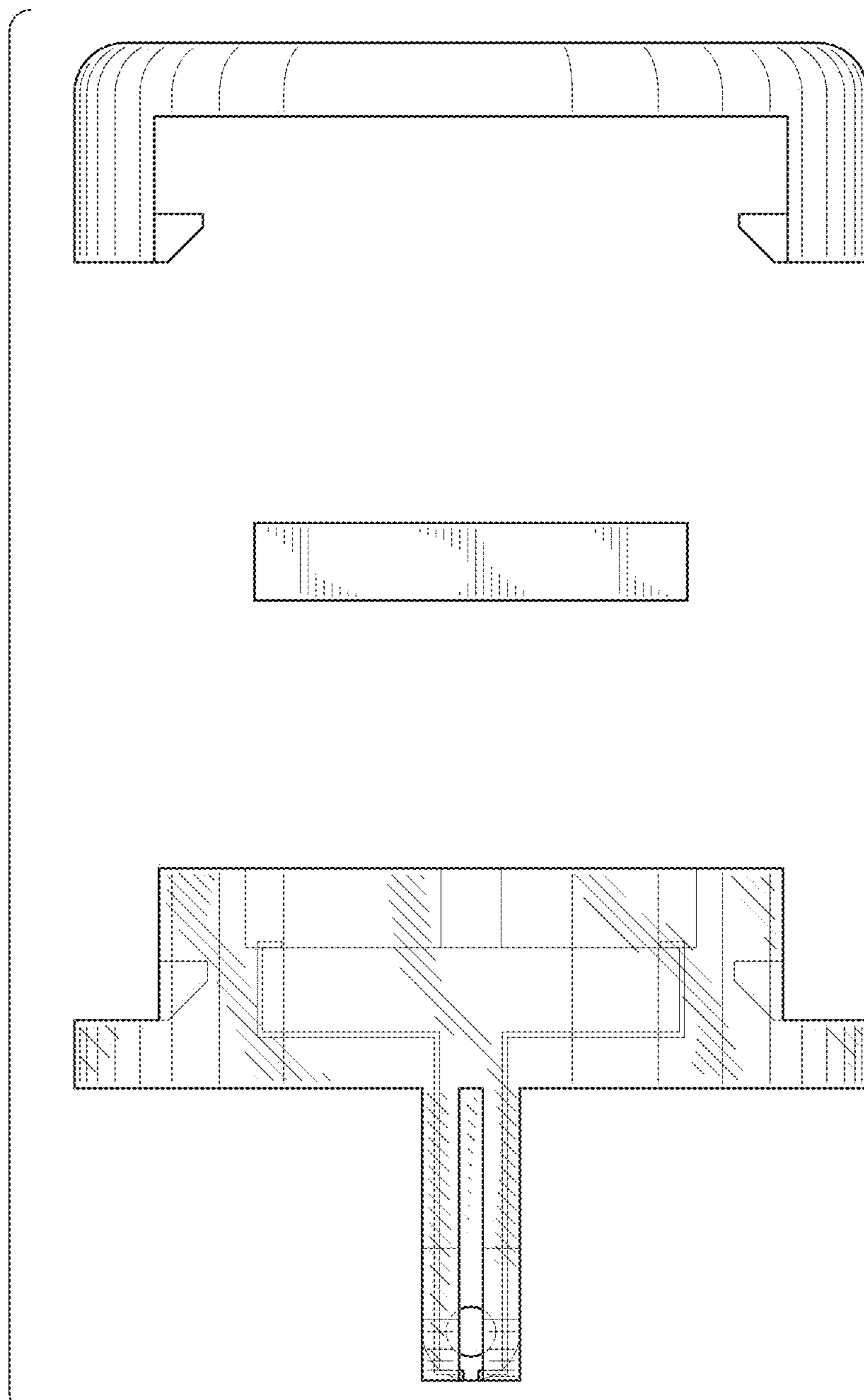


FIG. 2

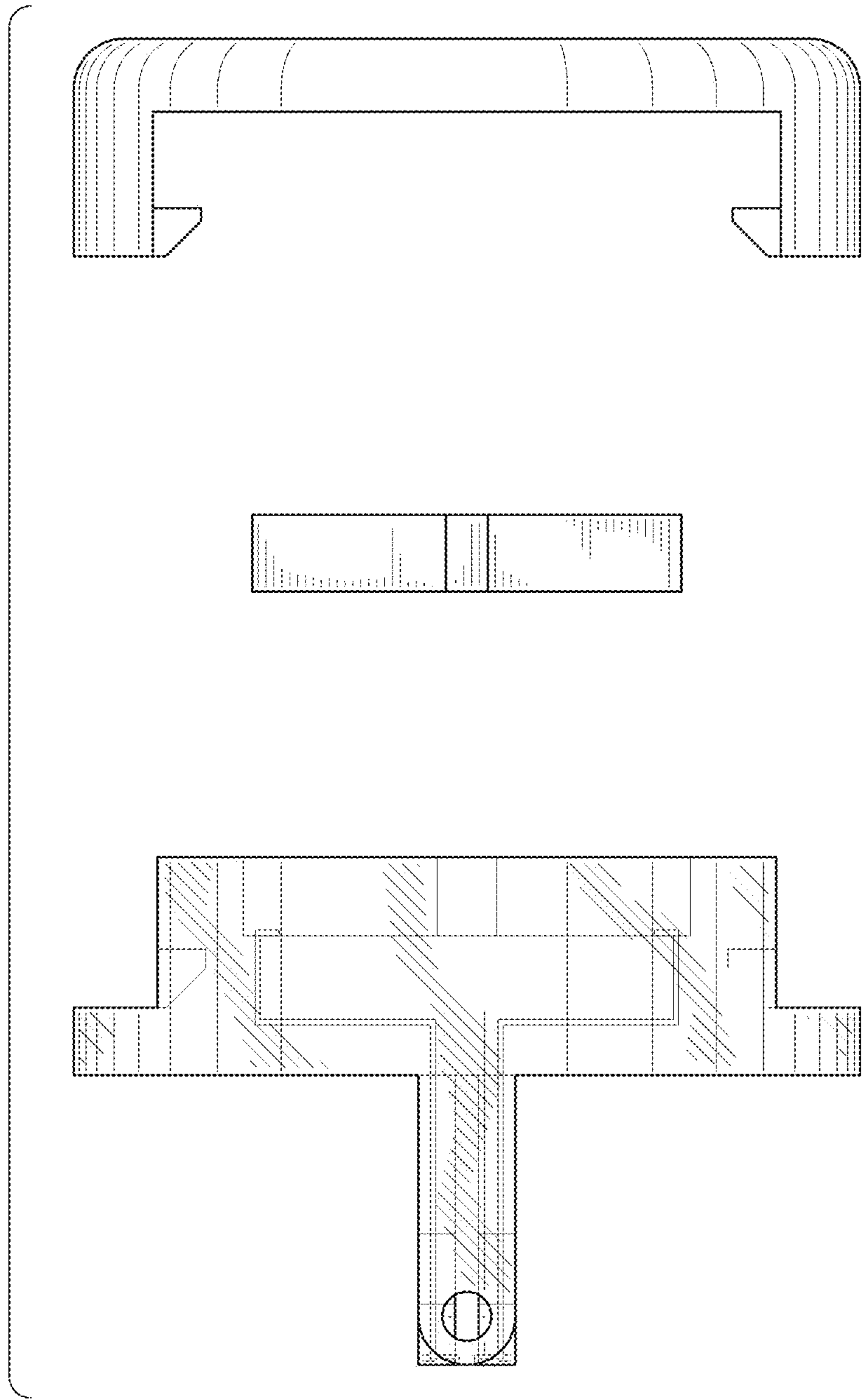


FIG. 3

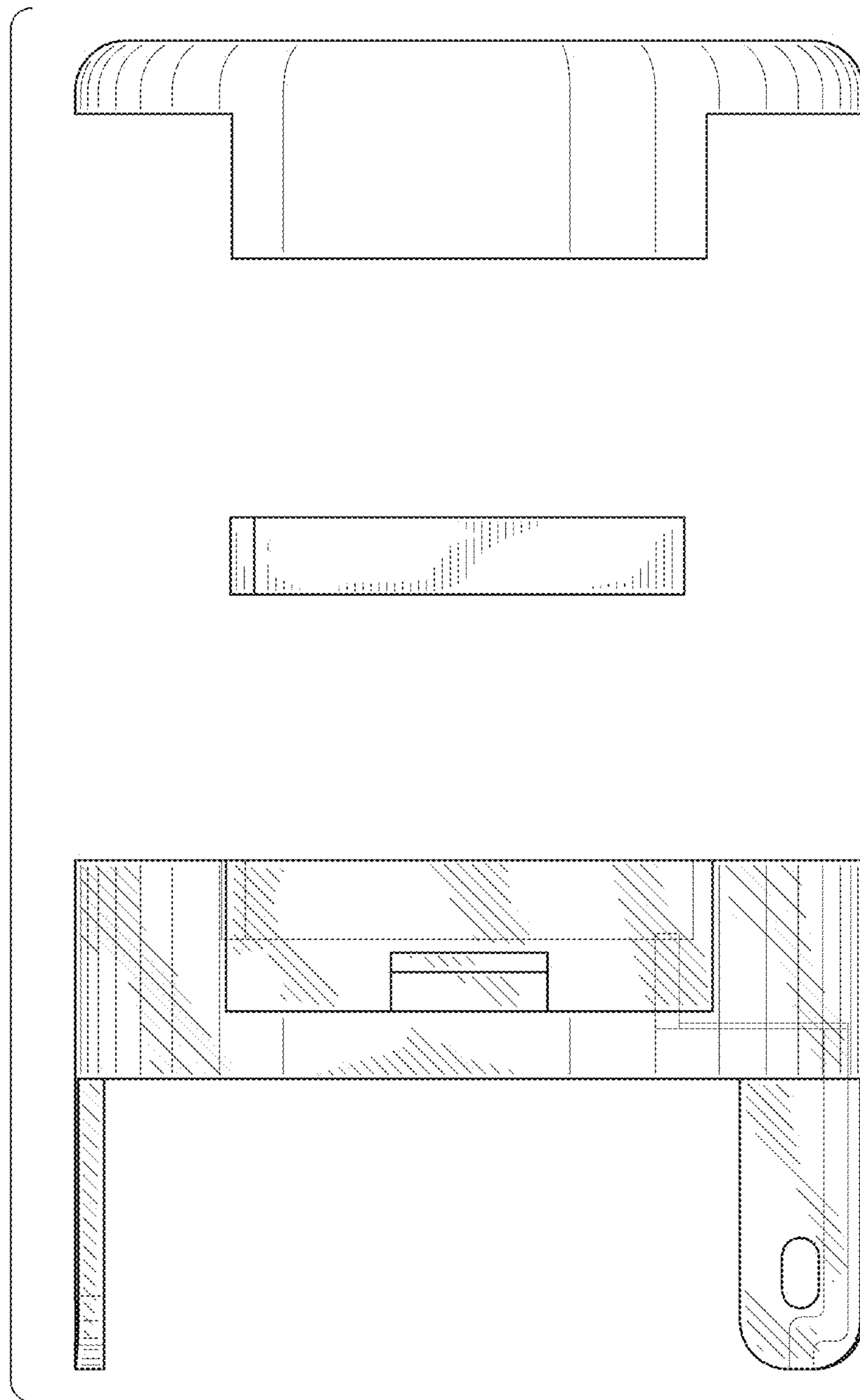


FIG. 4

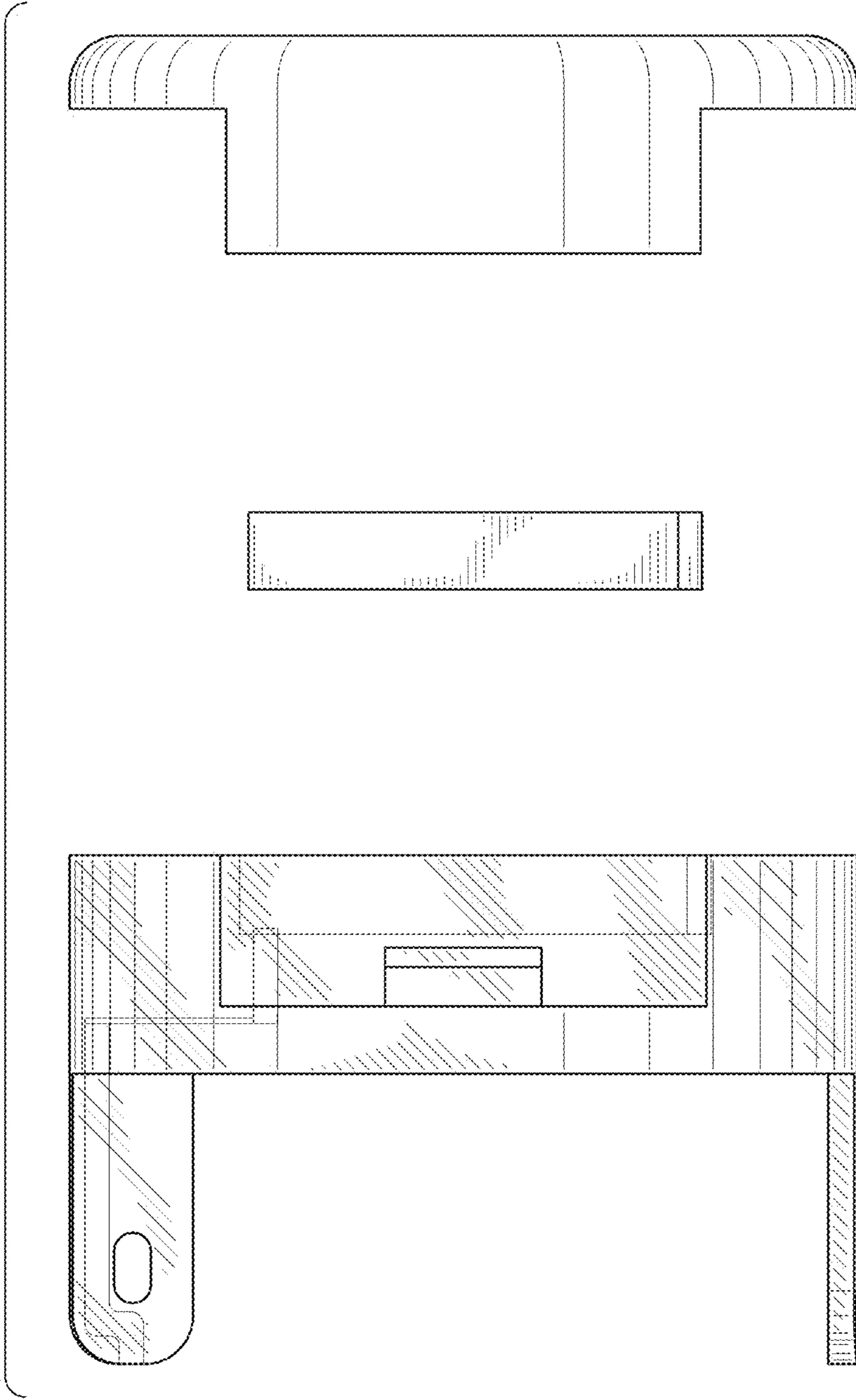


FIG. 5

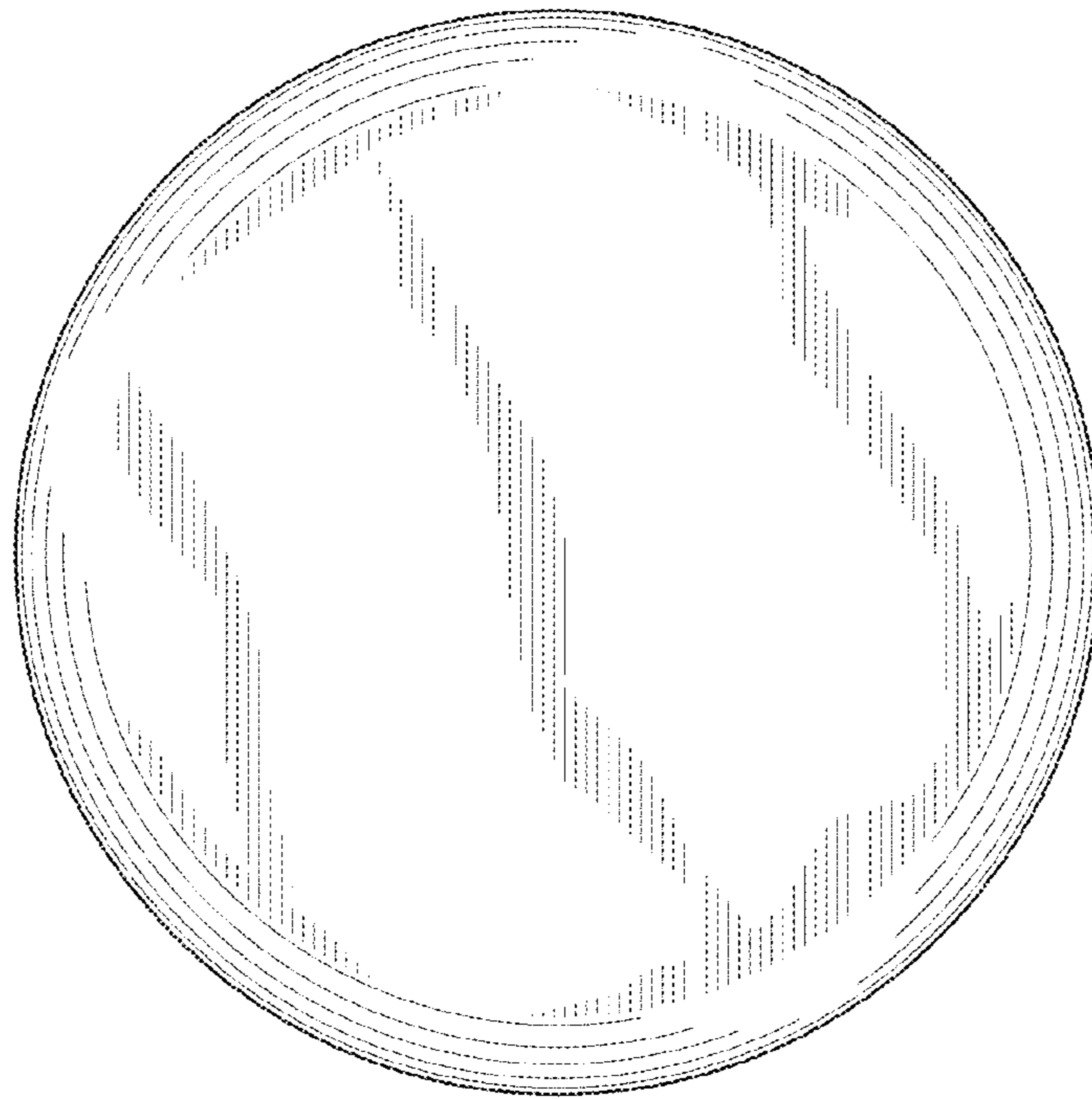


FIG. 6

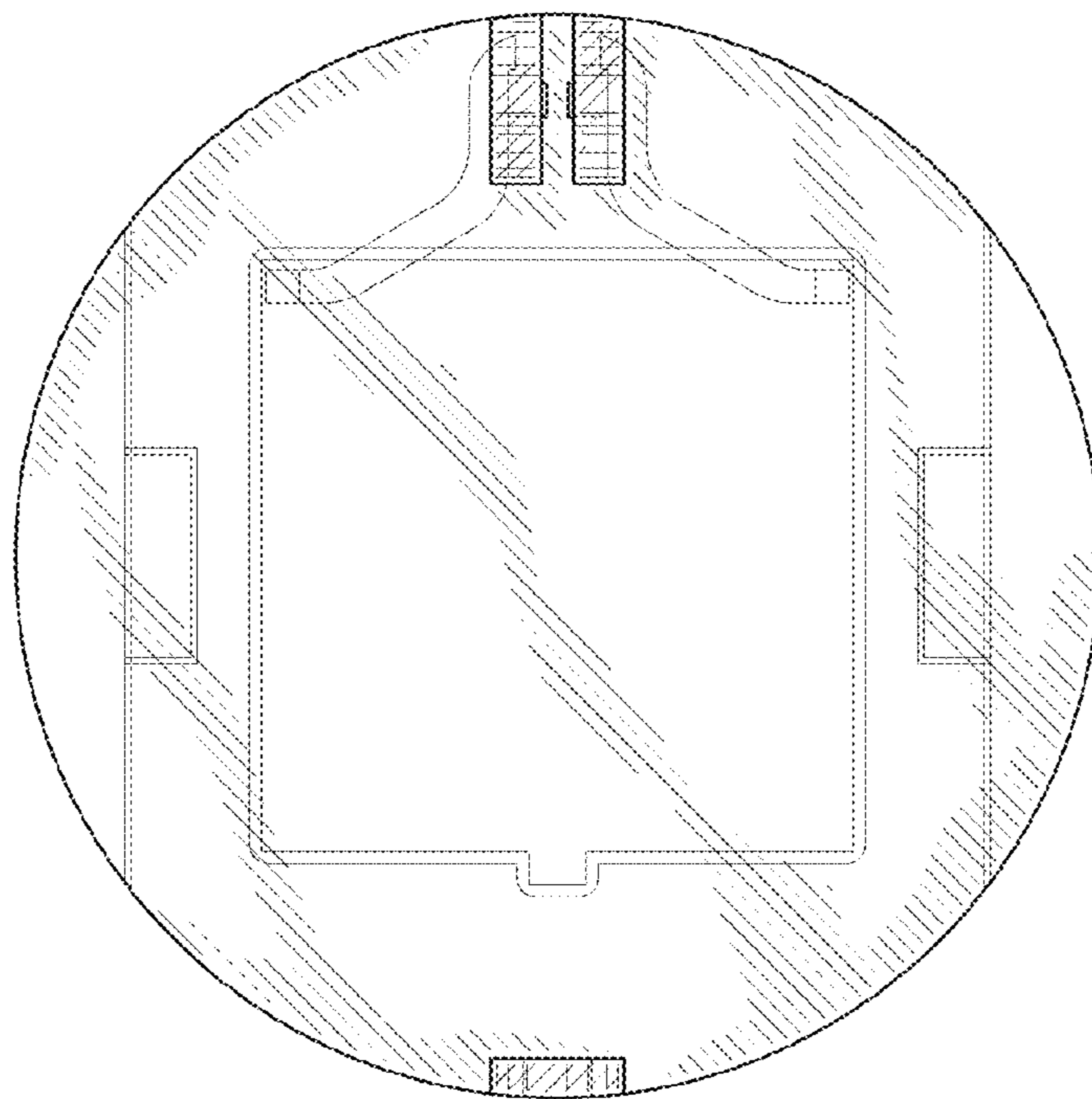


FIG. 7

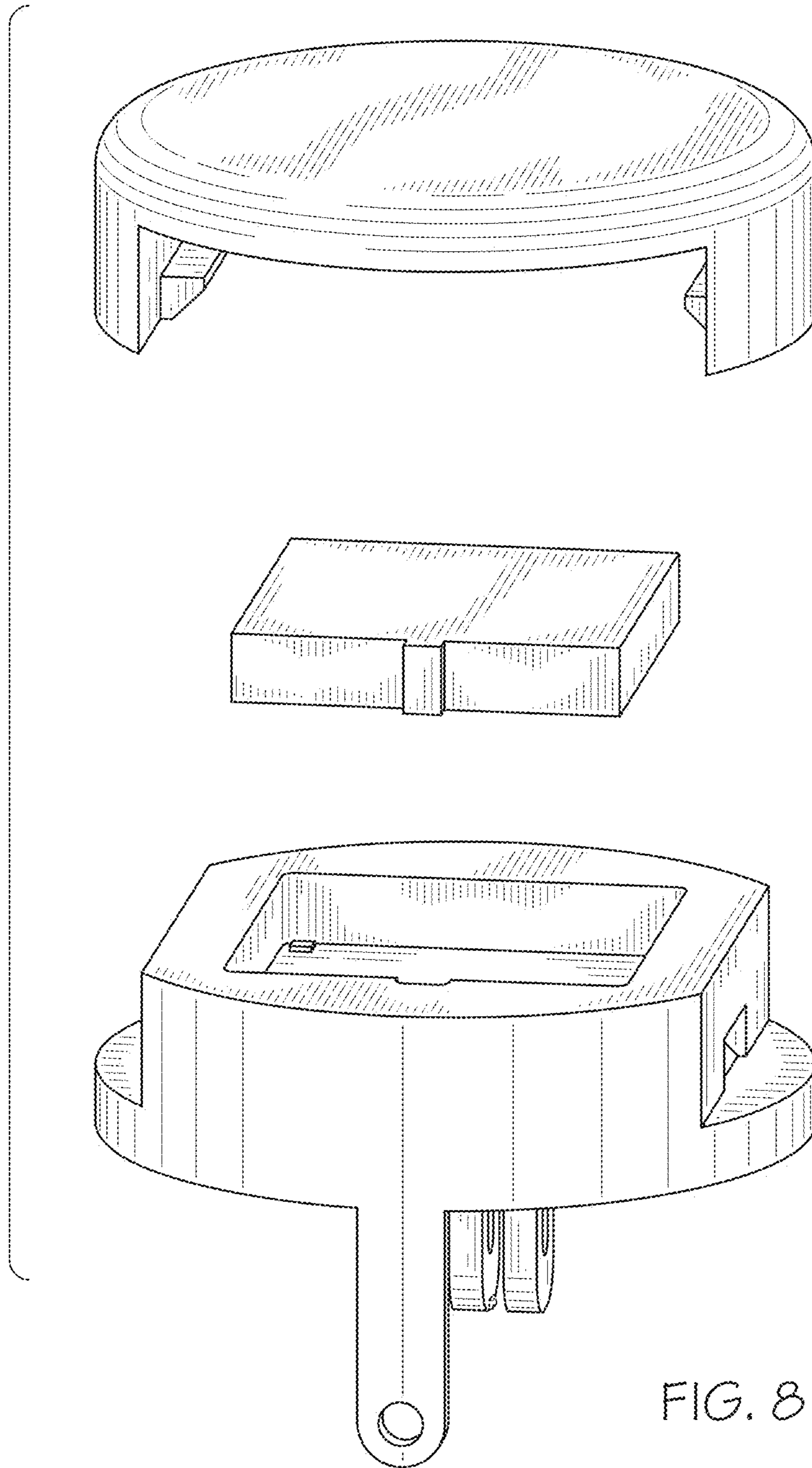


FIG. 8

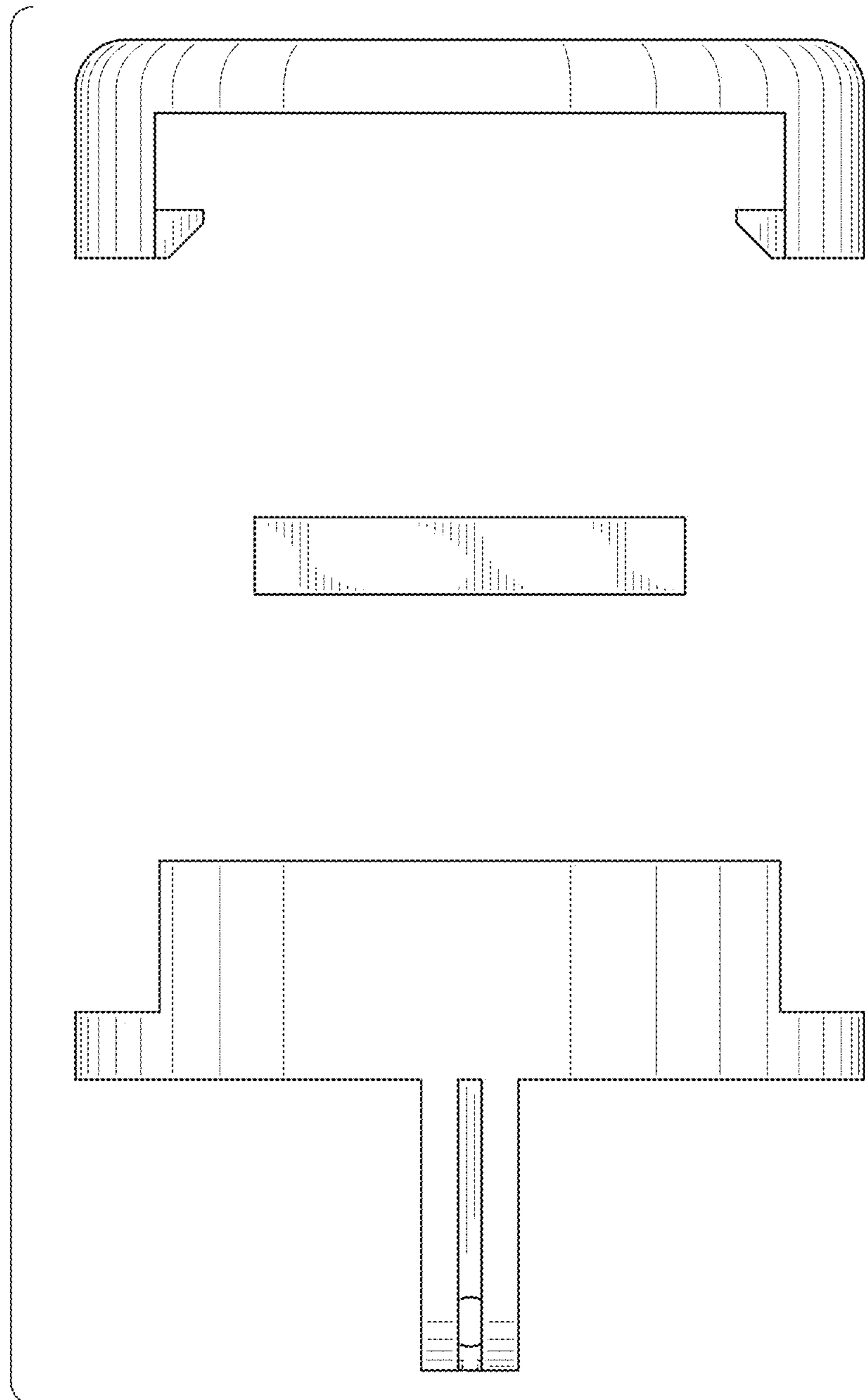


FIG. 9

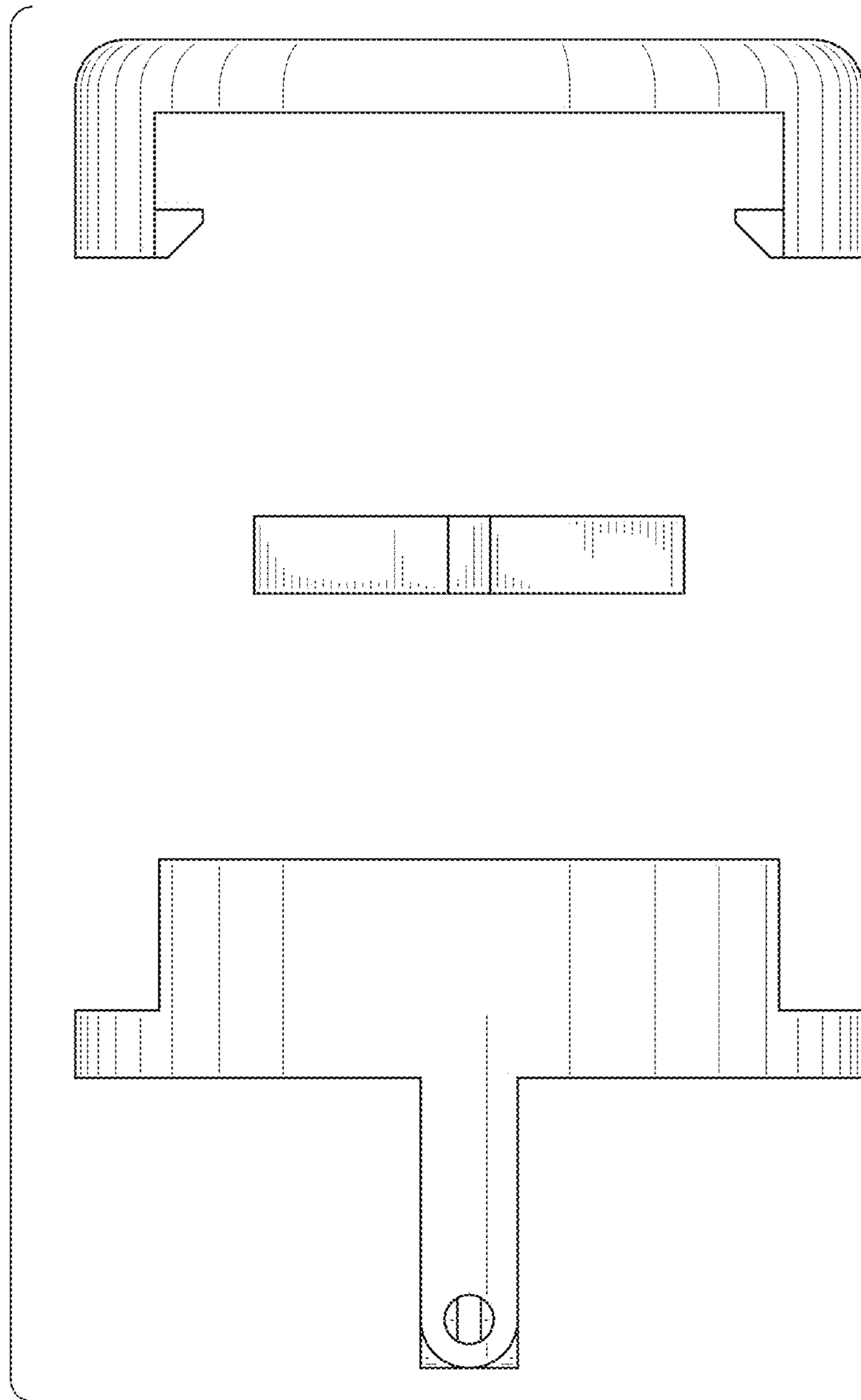


FIG. 10

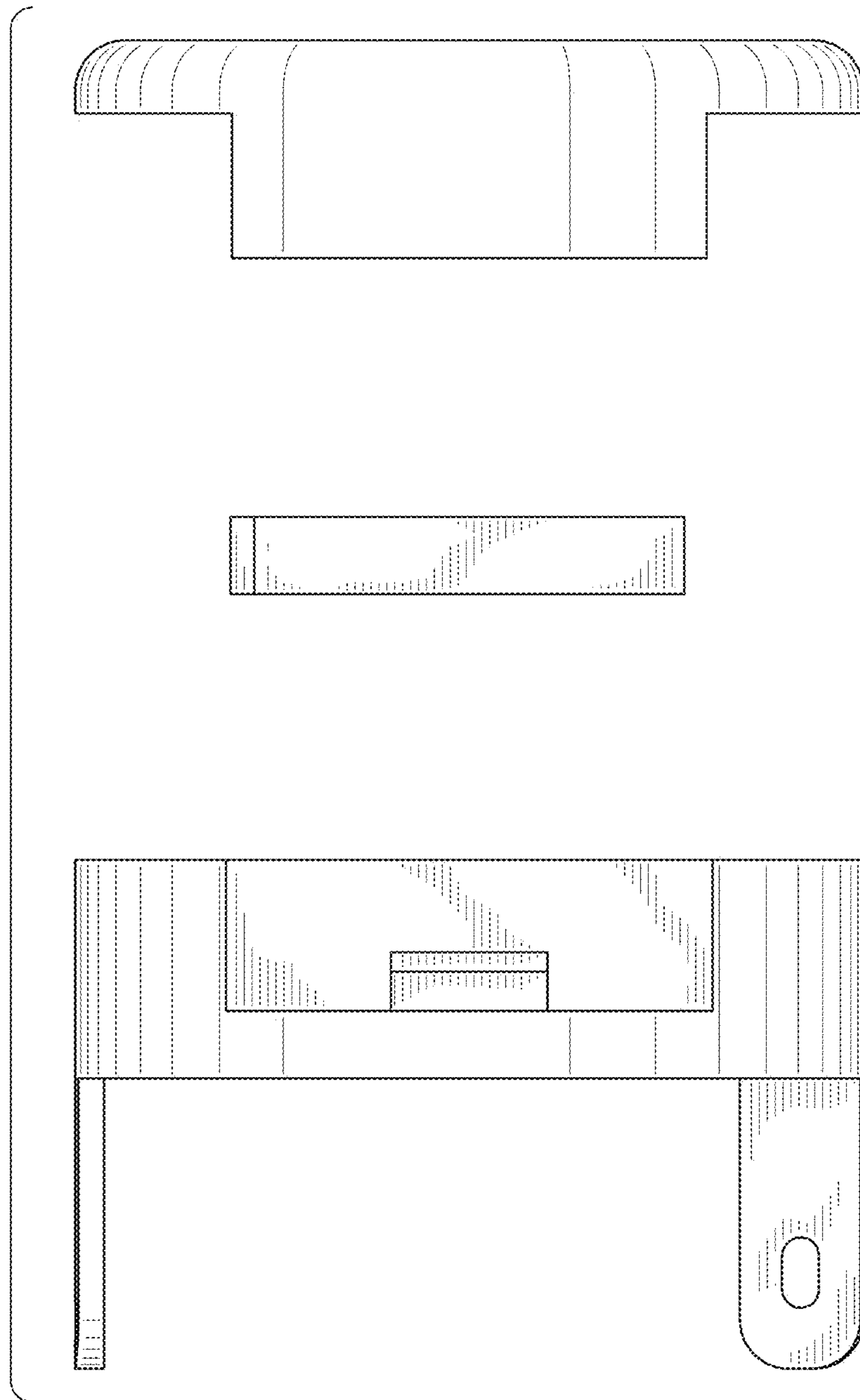


FIG. 11

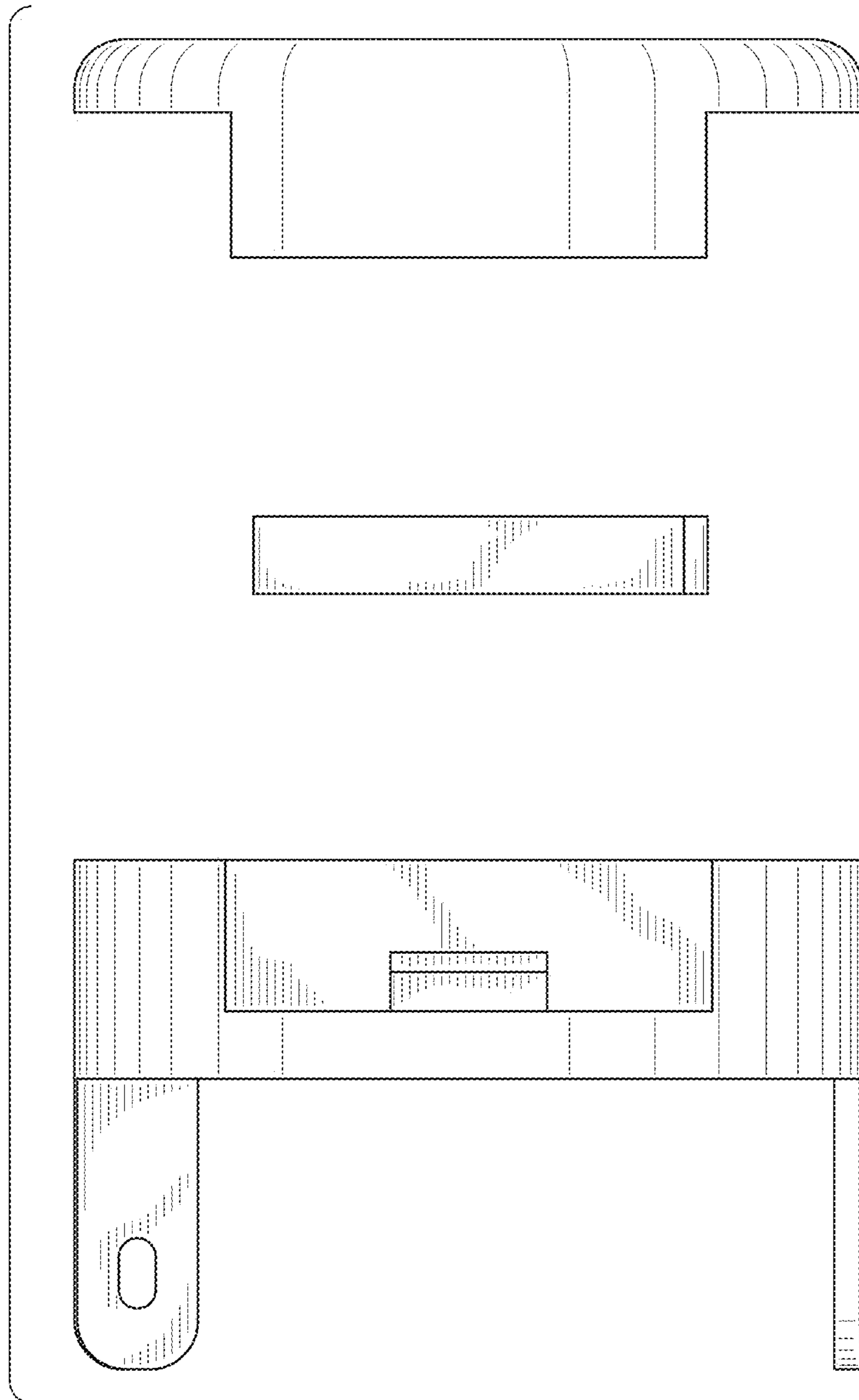


FIG. 12

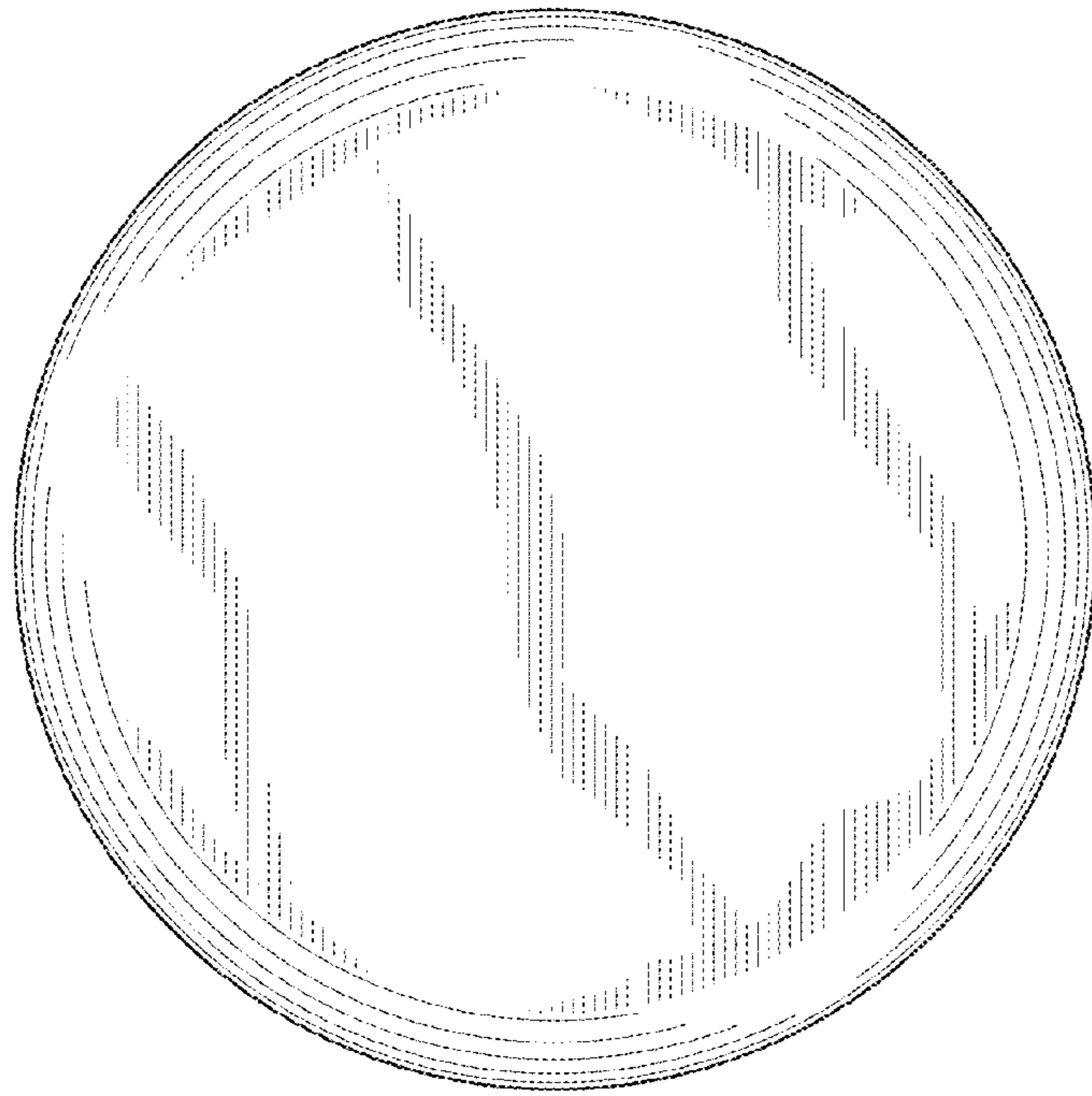


FIG. 13

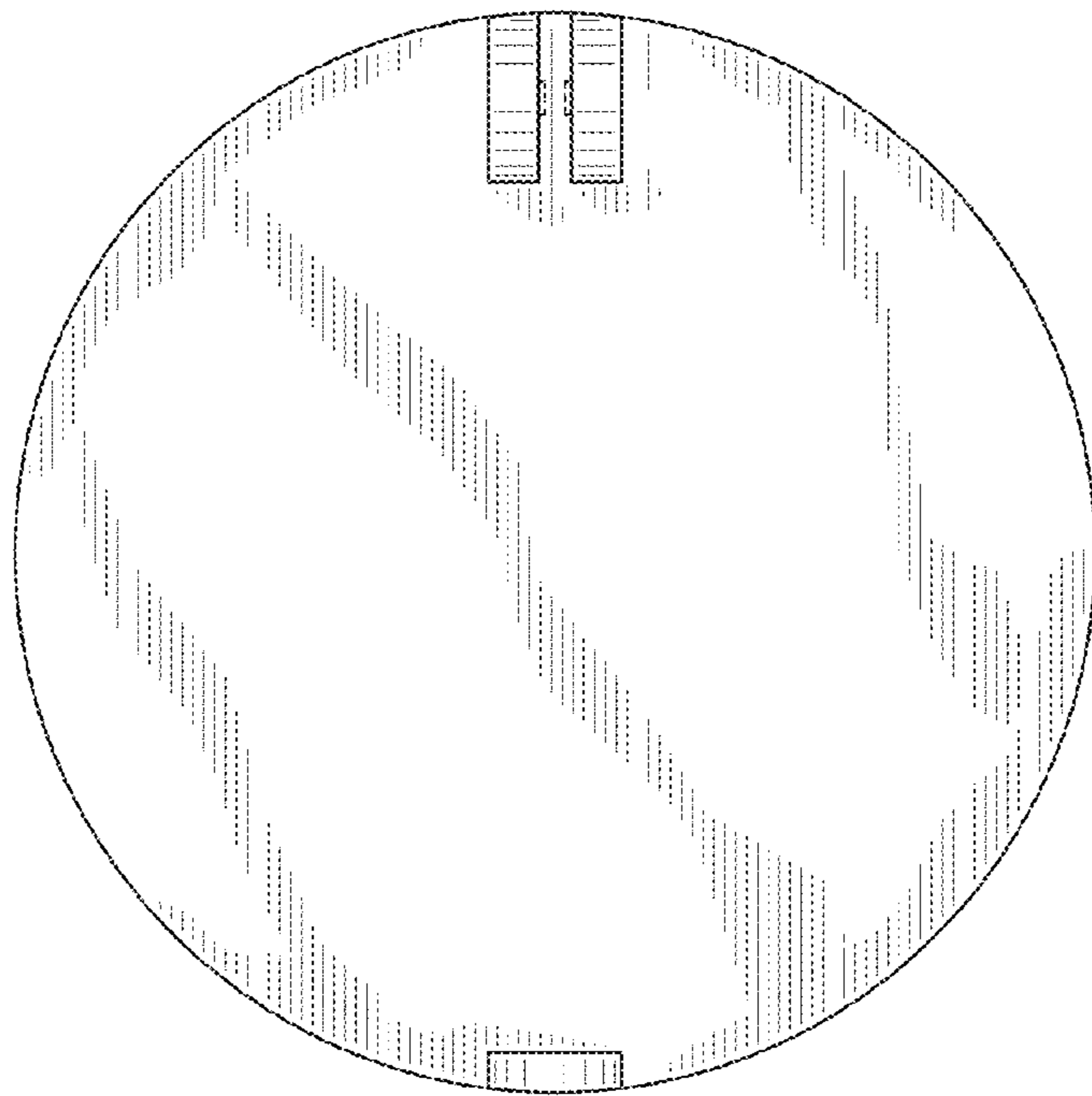


FIG. 14

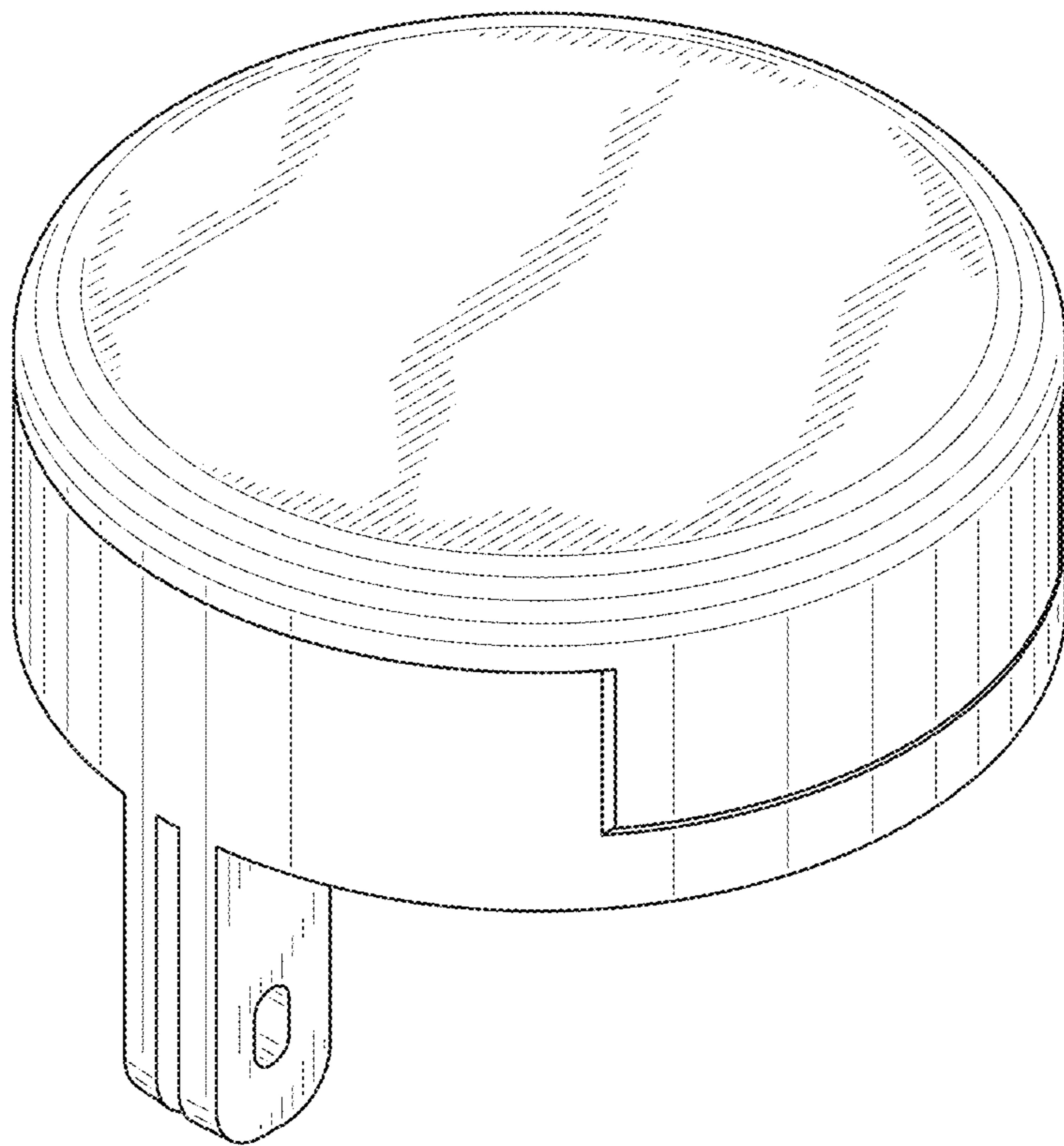


FIG. 15

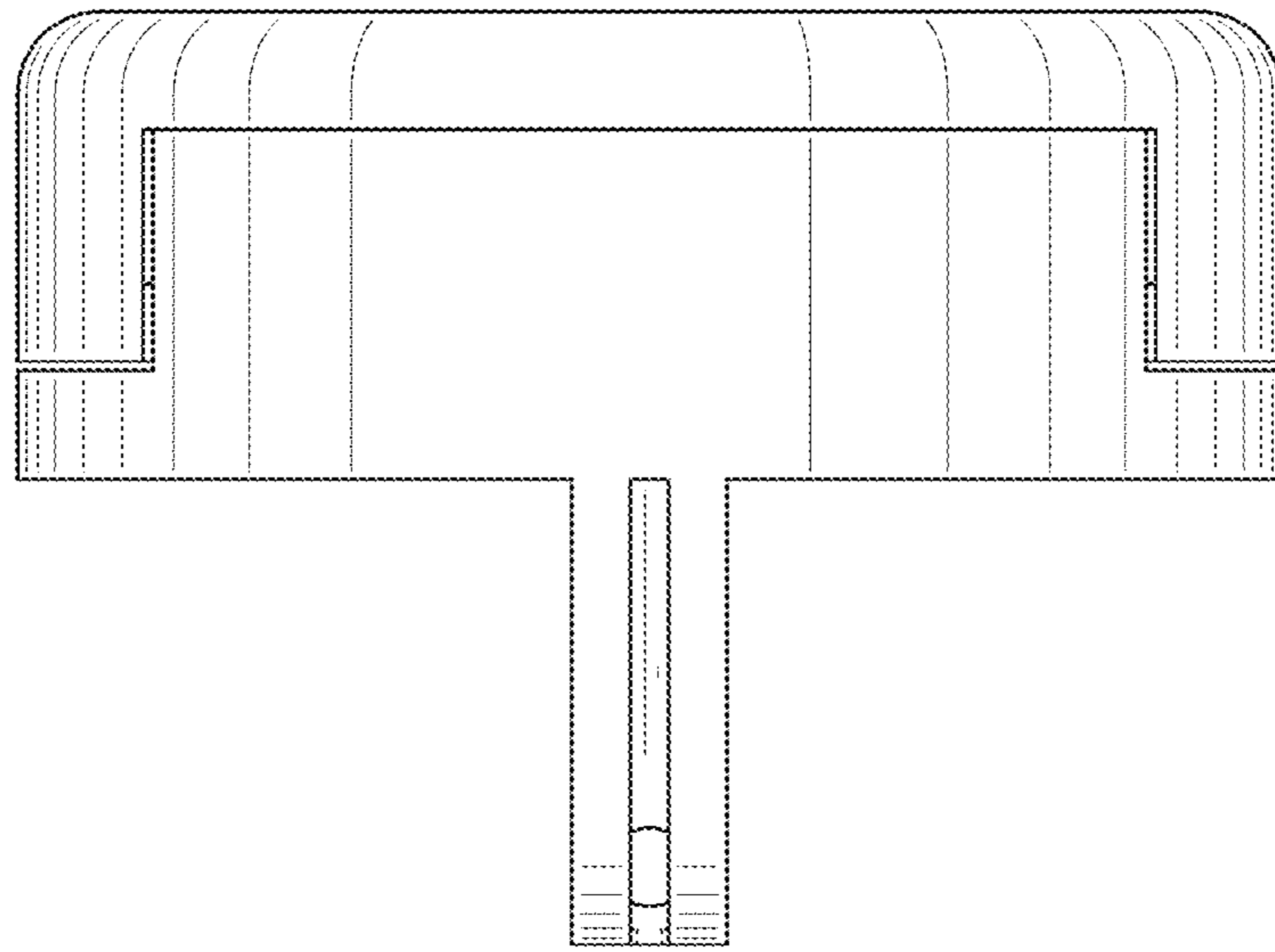


FIG. 16

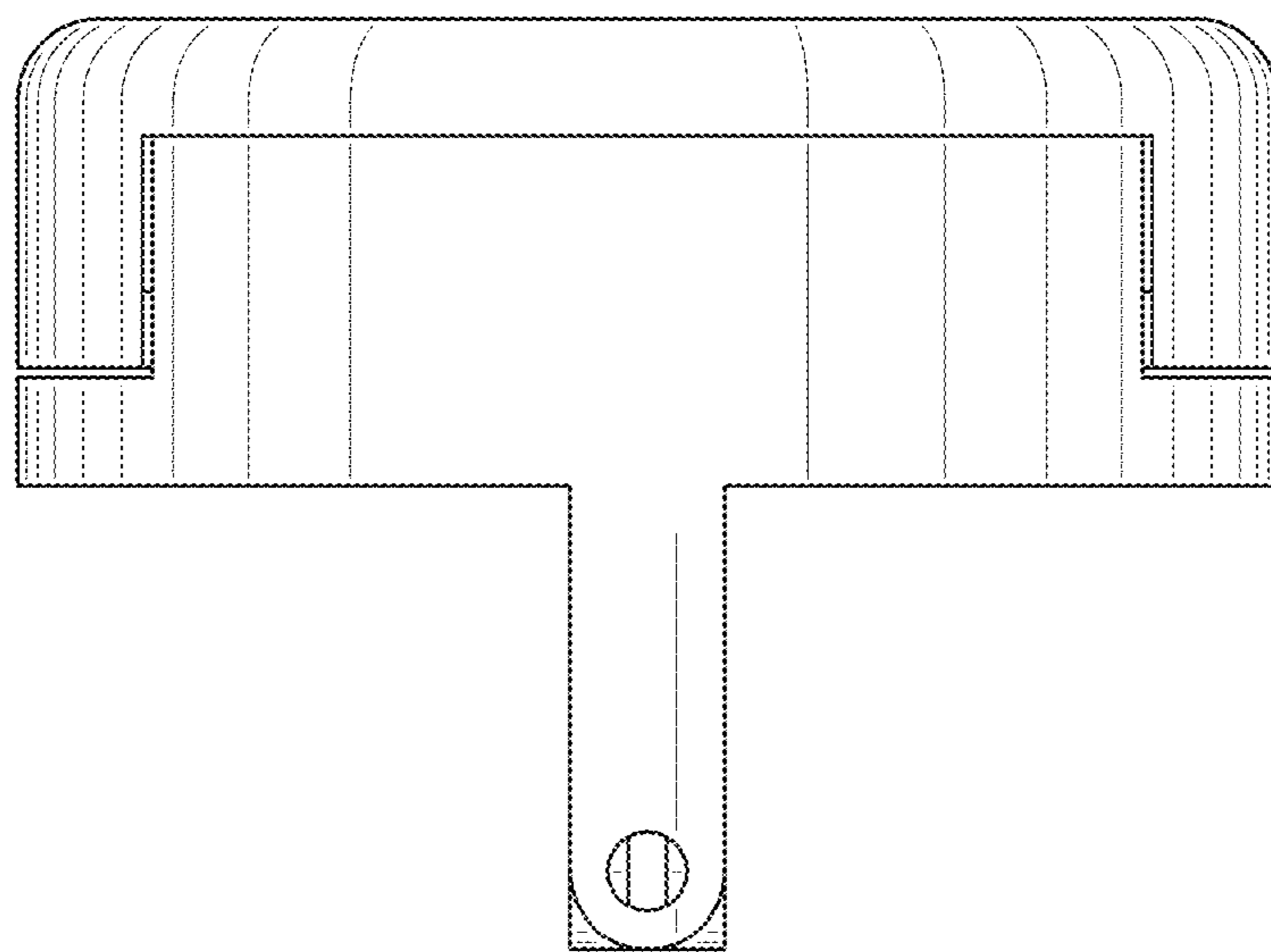


FIG. 17

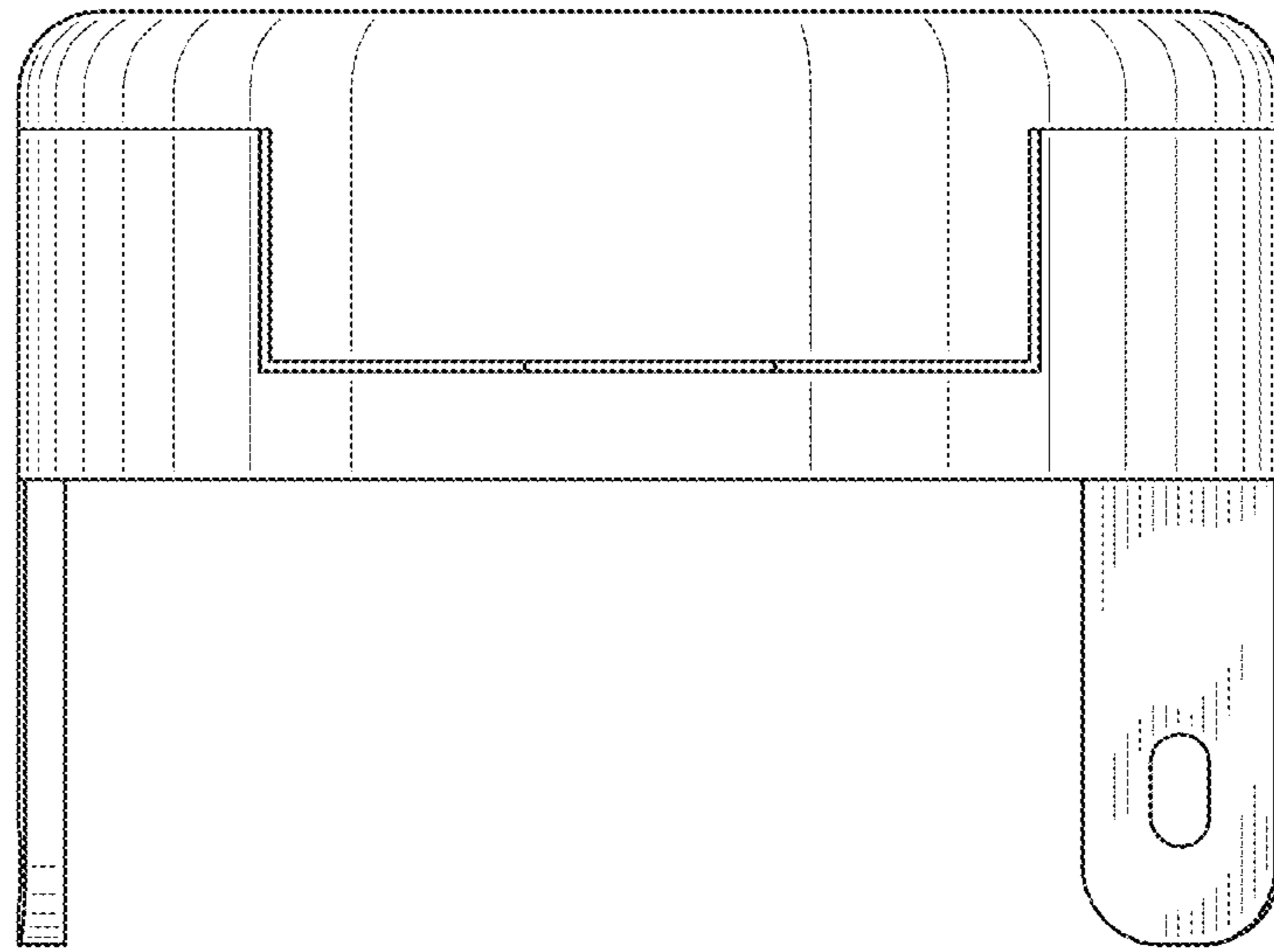


FIG. 18

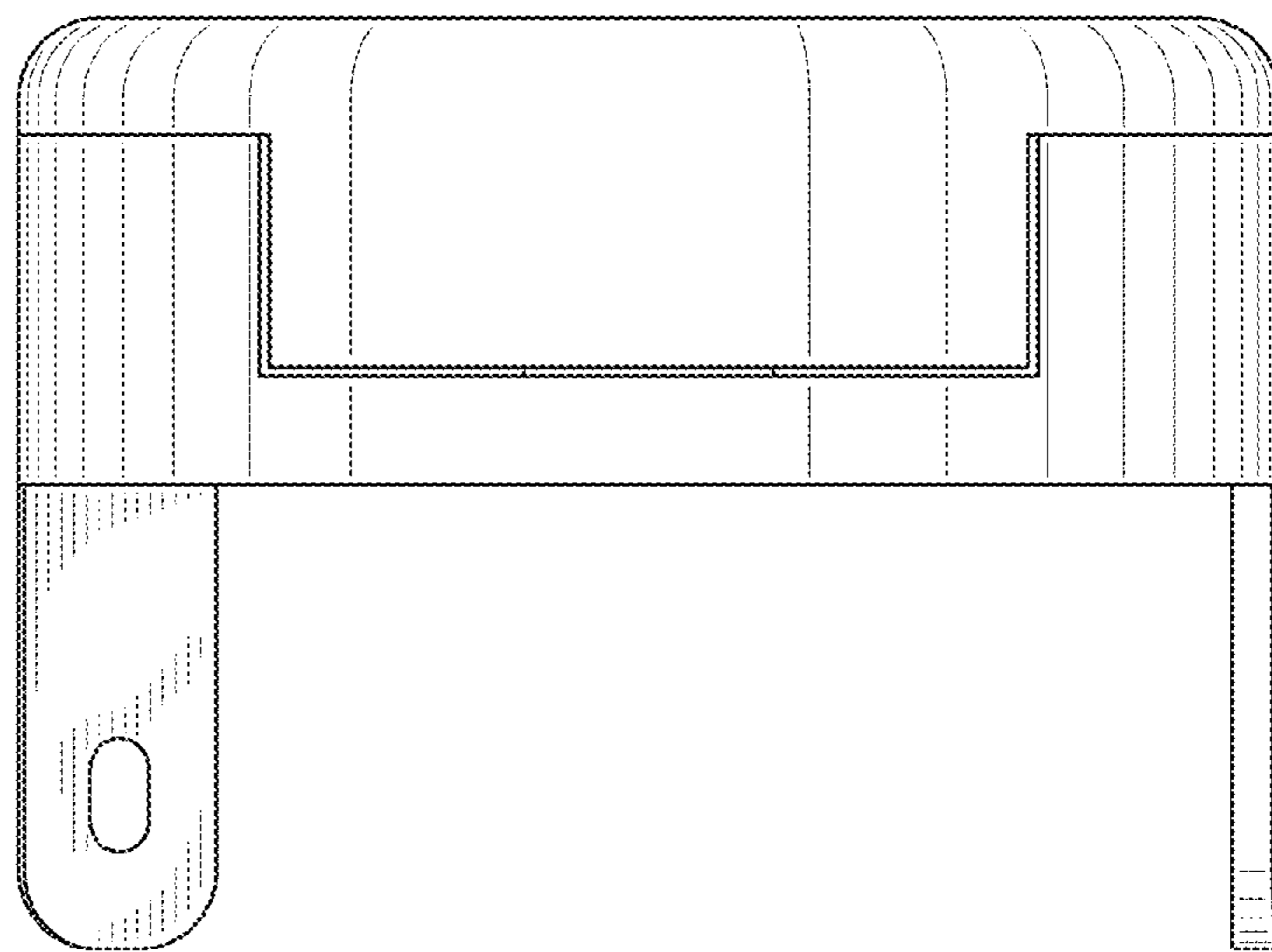


FIG. 19

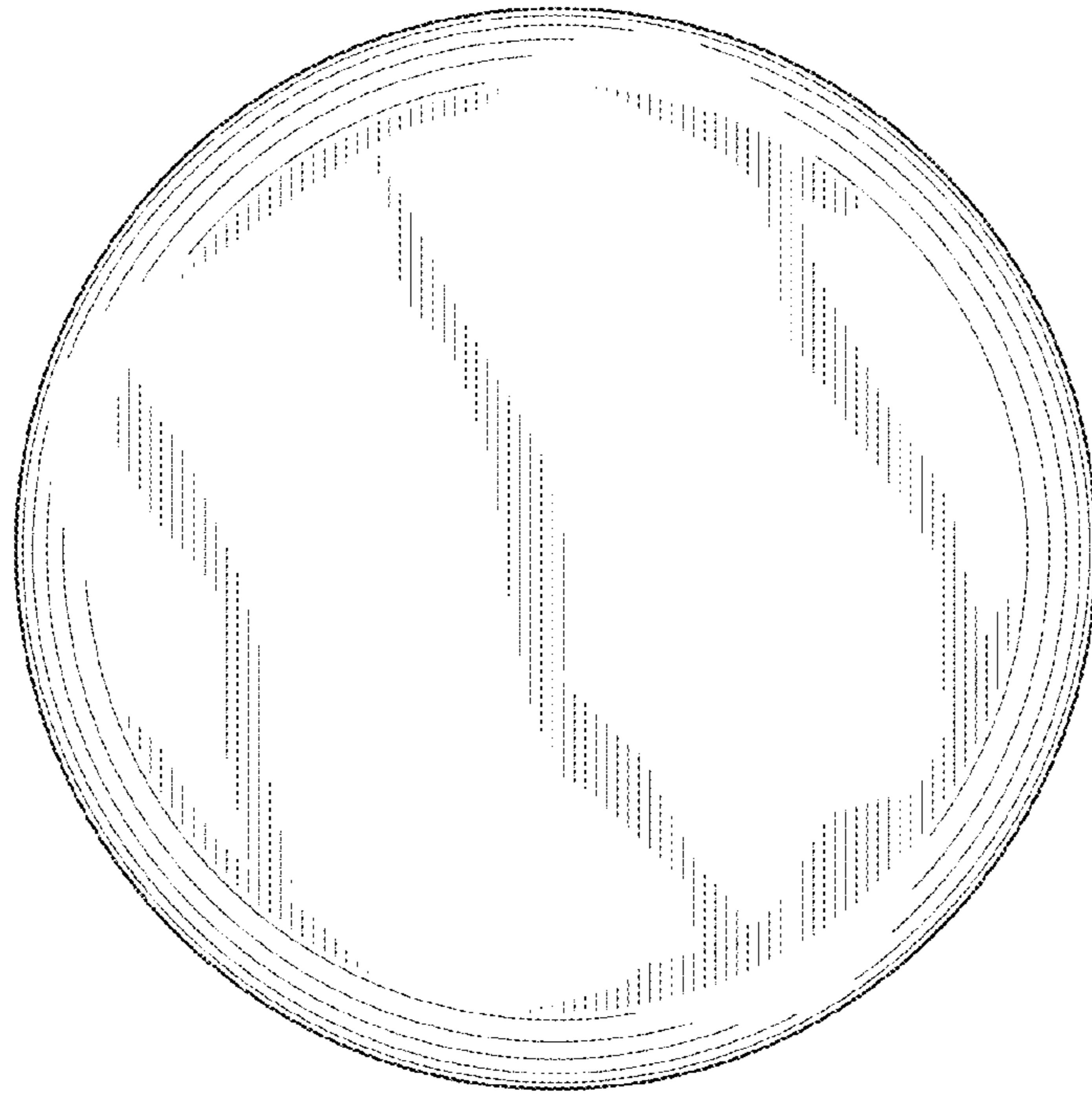


FIG. 20

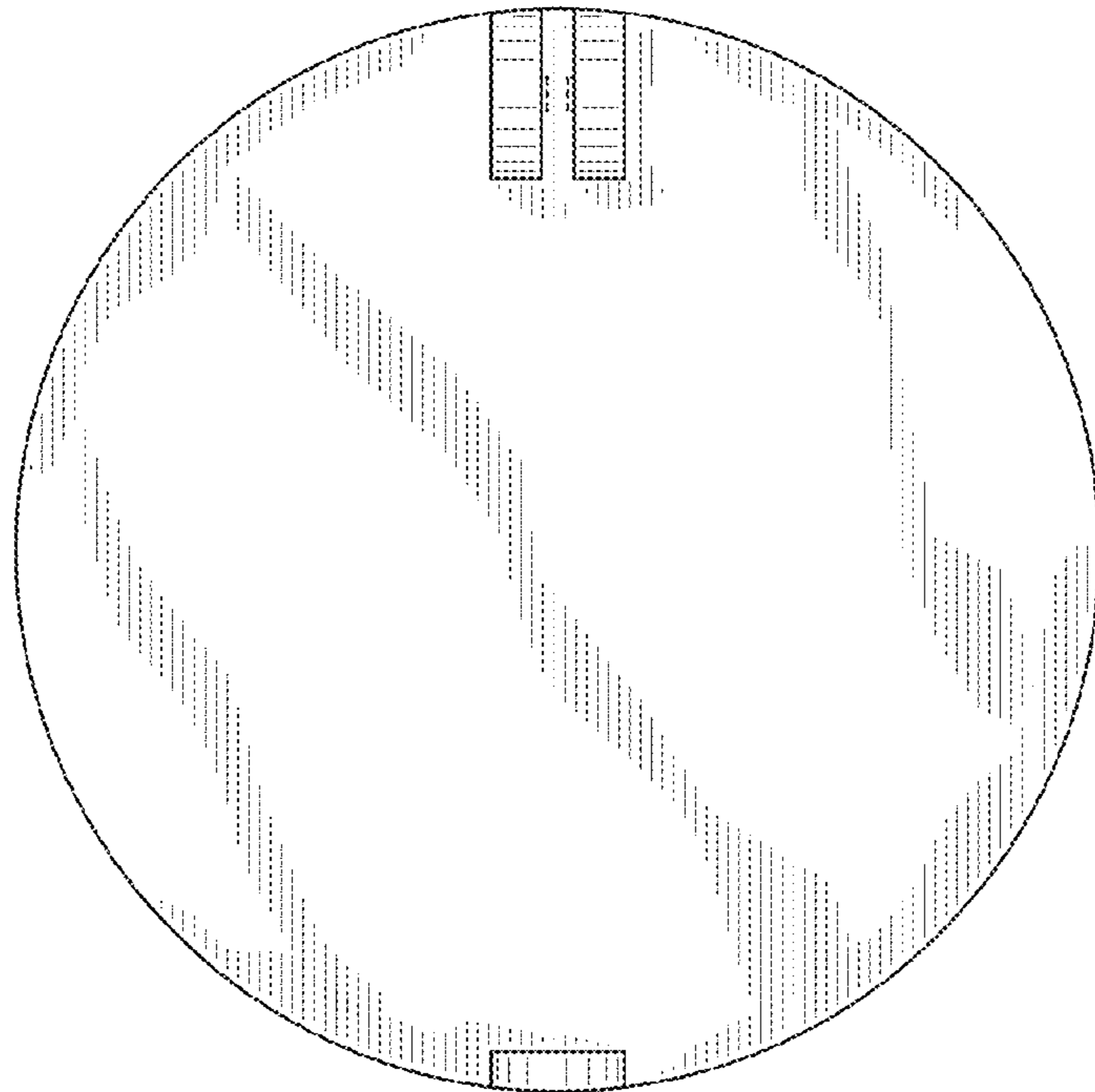


FIG. 21