



US00D742532S

(12) **United States Design Patent**
Parrott Segura

(10) **Patent No.:** **US D742,532 S**

(45) **Date of Patent:** **** Nov. 3, 2015**

(54) **TEETHER**

(71) Applicant: **Tonya M. Parrott Segura**, Alexandria,
LA (US)

(72) Inventor: **Tonya M. Parrott Segura**, Alexandria,
LA (US)

(**) Term: **14 Years**

(21) Appl. No.: **29/472,400**

(22) Filed: **Nov. 12, 2013**

(51) **LOC (10) Cl.** **24-04**

(52) **U.S. Cl.**

USPC **D24/194**; D24/195

(58) **Field of Classification Search**

USPC D24/193, 194, 195, 214; D30/160;
D1/101, 104, 106, 125, 199, 108, 115;
D21/414, 490, 625, 627, 418, 496, 576,
D21/584, 588, 609, 621, 628, 630, 650;
D11/63; 119/707, 709, 710; 606/235;
D29/113, 118, 123; D2/614, 622

CPC A61J 17/02

See application file for complete search history.

(56) **References Cited**

U.S. PATENT DOCUMENTS

516,561 A * 3/1894 Bosch 606/235
3,875,940 A * 4/1975 Beuther 604/77
D326,918 S * 6/1992 Roberts D24/194

5,334,218 A * 8/1994 Johnson 606/235
D480,147 S * 9/2003 Sanbrook et al. D24/194
D624,191 S * 9/2010 Johnson D24/194
D634,080 S * 3/2011 Rutherford et al. D30/160
D671,223 S * 11/2012 Swern et al. D24/194
D674,494 S * 1/2013 Roehrig et al. D24/194
2003/0176891 A1 * 9/2003 Frederic 606/234
2011/0160769 A1 * 6/2011 Tesini et al. 606/235
2011/0264142 A1 * 10/2011 Reed 606/235
2012/0283774 A1 * 11/2012 Cudworth et al. 606/235

* cited by examiner

Primary Examiner — Robert M Spear

Assistant Examiner — Kendra L Hamilton

(74) *Attorney, Agent, or Firm* — R. Keith Harrington

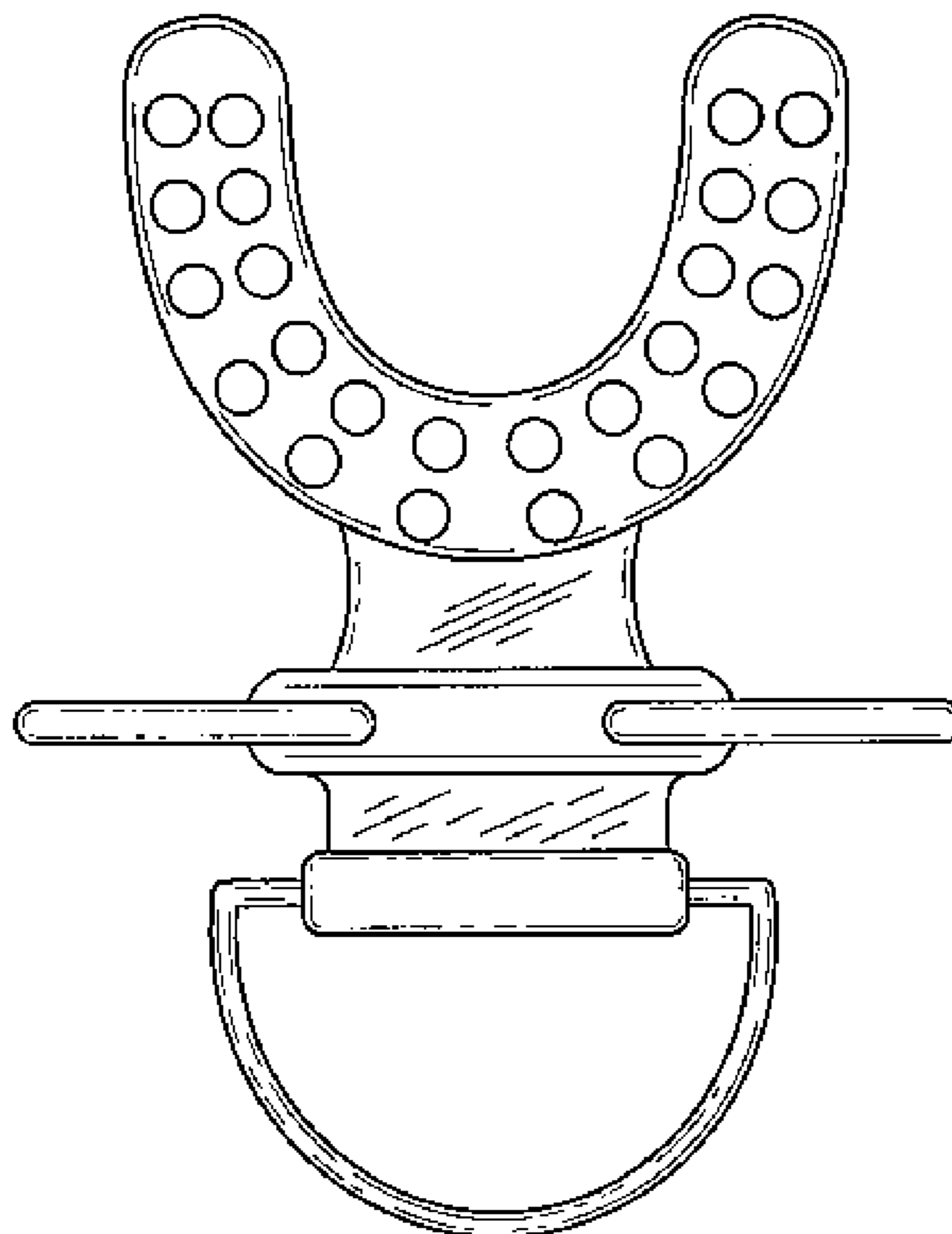
(57) **CLAIM**

The ornamental design for a teether, as shown and described.

DESCRIPTION

FIG. 1 is a top view of the teether;
FIG. 2 is a front view of the teether, with interior portions of a pair of side rings illustrated in broken lines, which interior portions do not form a part of the claimed design;
FIG. 3 is a left side view of the teether, the left side view being a mirror image of the right side view of the teether; and,
FIG. 4 is a bottom view of the teether.
FIG. 2 of the drawings includes a broken line depiction of the interior portions of a pair of side rings of a teether, which interior portions do not form a part of the claimed design.

1 Claim, 1 Drawing Sheet



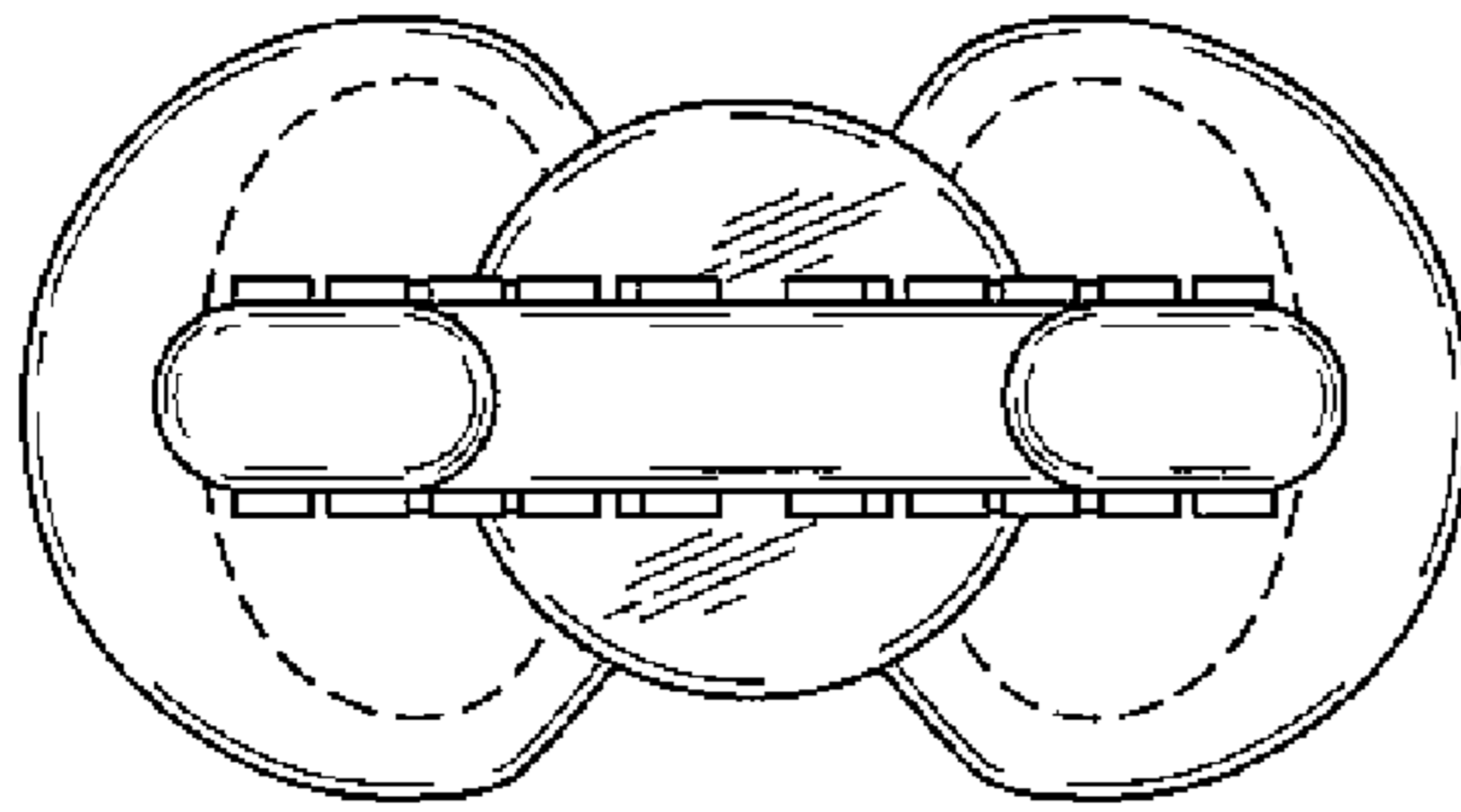


FIG. 2

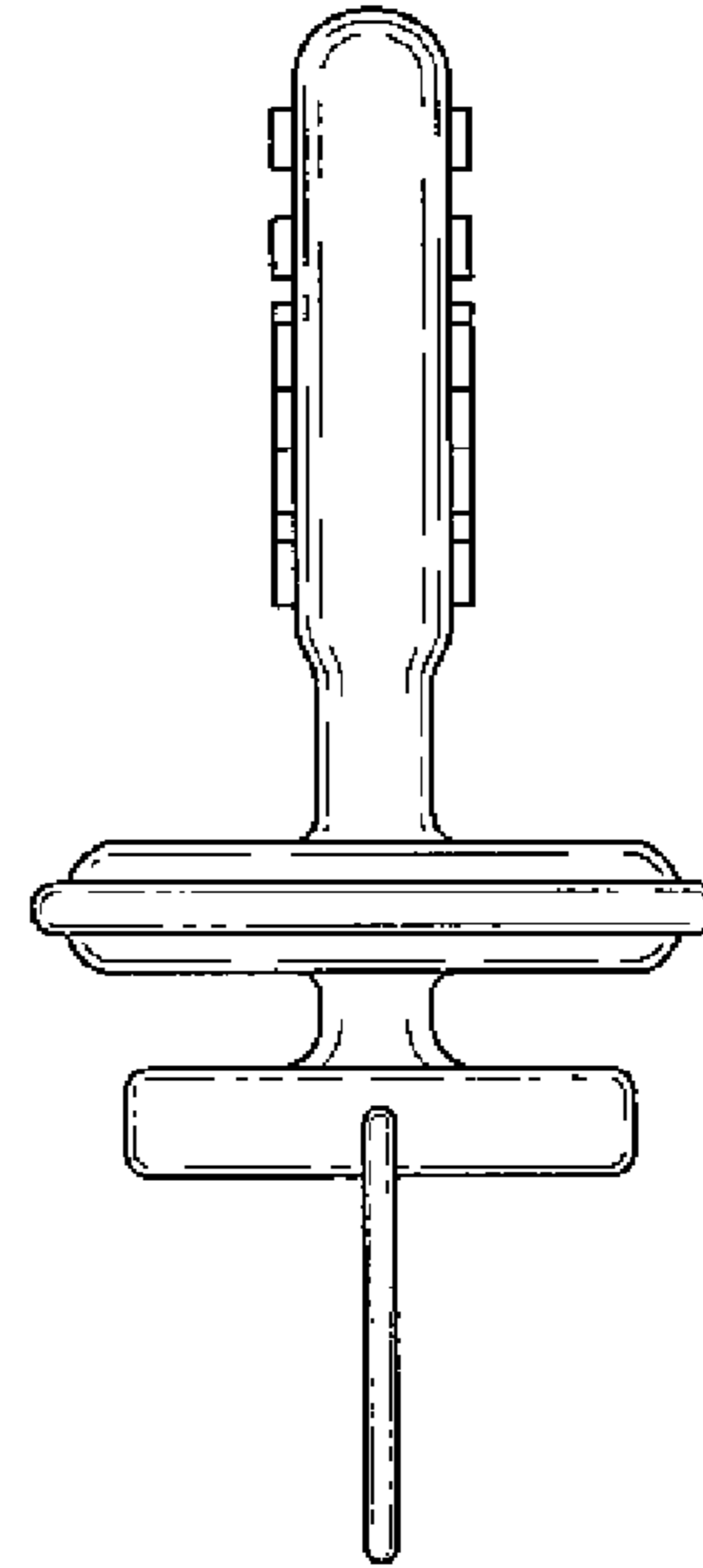


FIG. 3

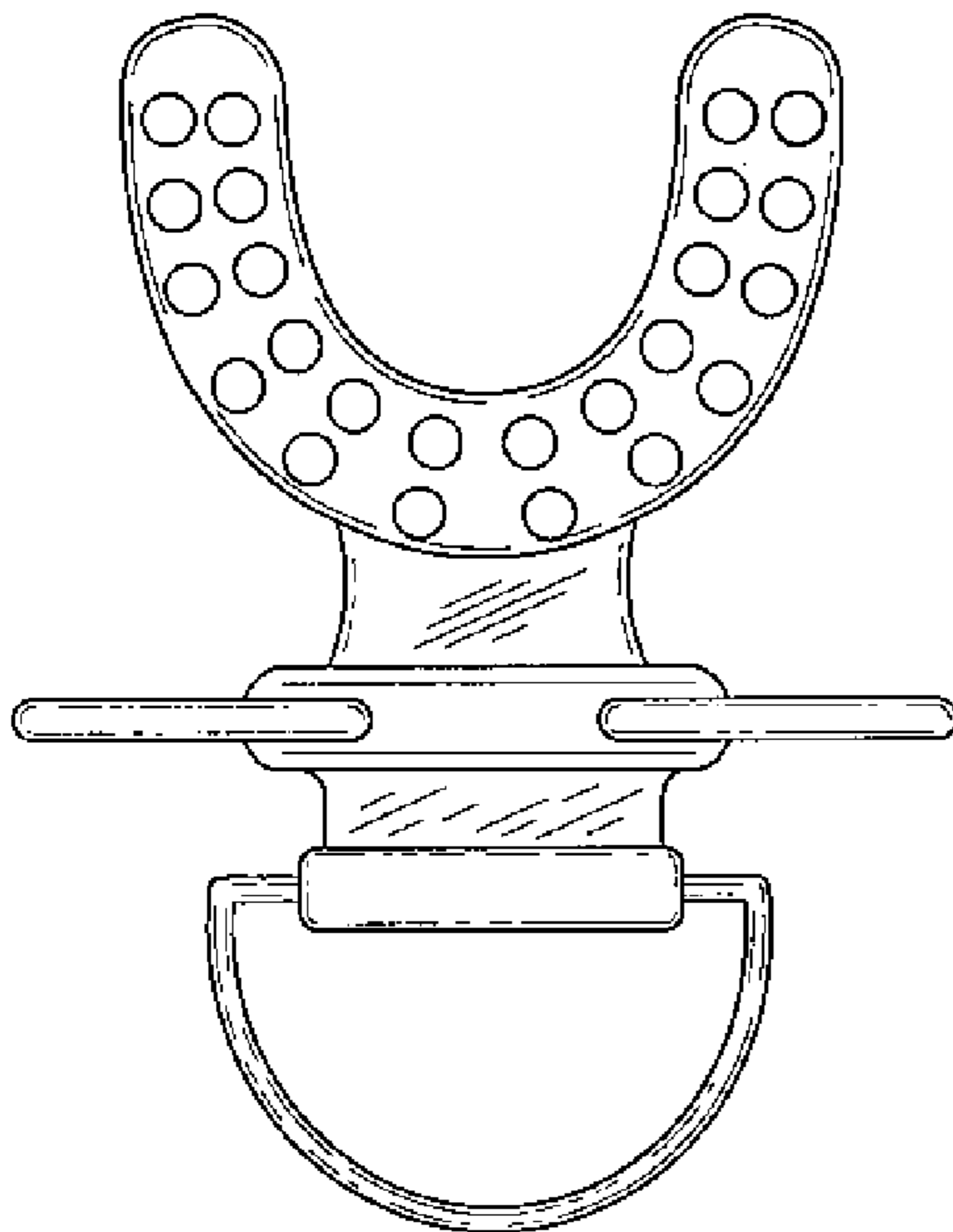


FIG. 1

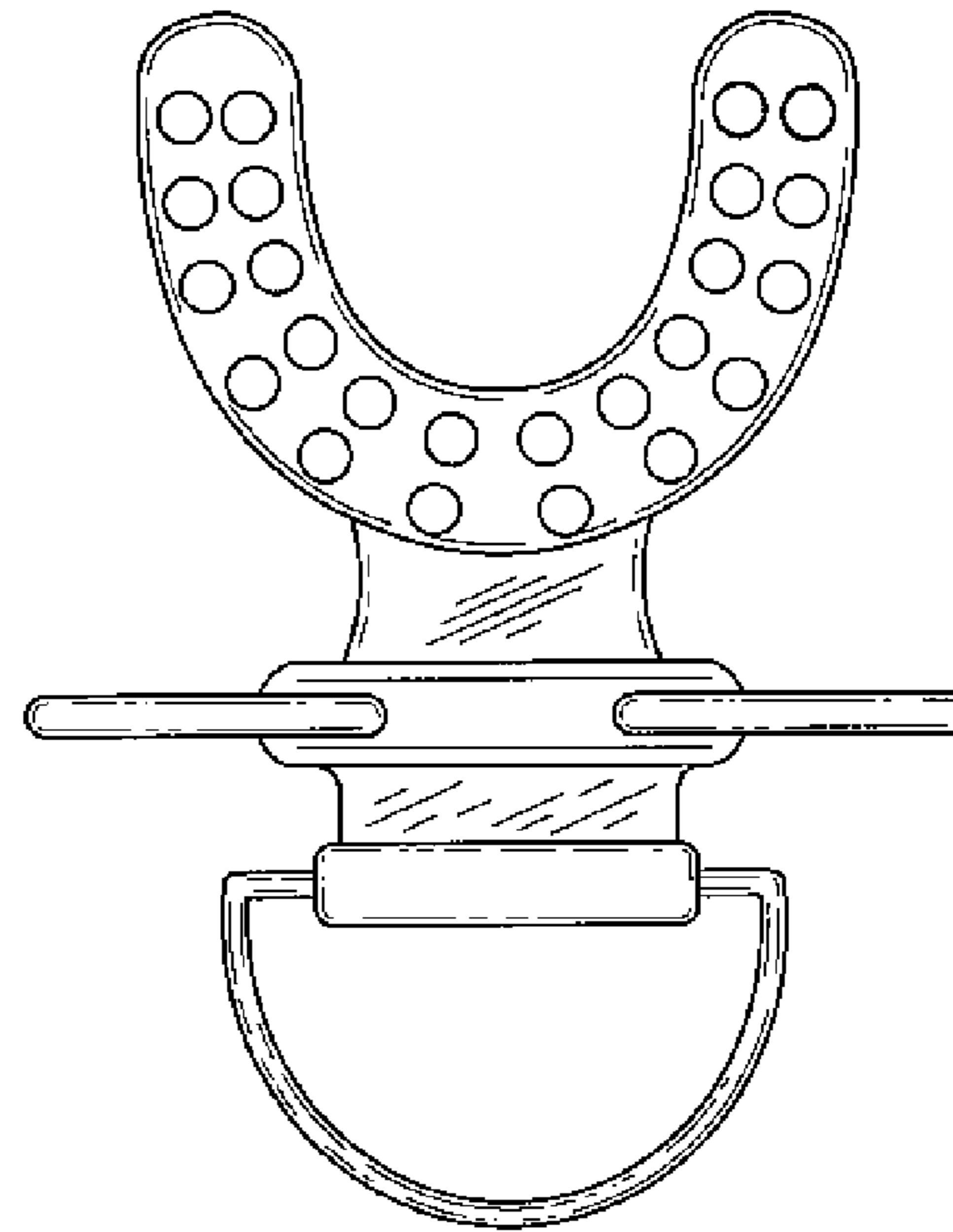


FIG. 4