



US00D742531S

(12) **United States Design Patent**
Pippel et al.

(10) **Patent No.:** **US D742,531 S**

(45) **Date of Patent:** **** Nov. 3, 2015**

(54) **ULTRASOUND DEVICE**

(71) Applicant: **Access Business Group International LLC**, Ada, MI (US)

(72) Inventors: **Bradley J. Pippel**, Grandville, MI (US); **Sean T. Eurich**, Holland, MI (US); **Joe D. Doucet**, New York, NY (US)

(73) Assignee: **Access Business Group International LLC**, Ada, MI (US)

(**) Term: **14 Years**

(21) Appl. No.: **29/469,568**

(22) Filed: **Oct. 11, 2013**

(51) **LOC (10) Cl.** **24-01**

(52) **U.S. Cl.**
USPC **D24/187**

(58) **Field of Classification Search**
USPC D24/158, 185-187, 200, 214-215, 142, D24/206, 209, 144; D10/78; 600/407, 446, 600/459-462, 437; 378/98.7, 98.8, 189; D8/356

See application file for complete search history.

(56) **References Cited**

U.S. PATENT DOCUMENTS

D226,583 S * 3/1973 Welch D24/214
D303,706 S * 9/1989 King D24/142
D323,034 S * 1/1992 Reinstein D24/206
D343,801 S * 2/1994 Burns et al. D10/78
5,482,047 A * 1/1996 Nordgren et al. 600/459

D369,307 S * 4/1996 Imling et al. D10/78
D390,959 S * 2/1998 Mesaros et al. D24/186
6,746,402 B2 * 6/2004 Ustuner 600/462
D550,365 S * 9/2007 Kitayama D24/186
D636,087 S * 4/2011 Loew et al. D24/200
D636,088 S * 4/2011 Loew et al. D24/200
D687,153 S * 7/2013 Torzilli D24/187
D690,420 S * 9/2013 Chinowsky et al. D24/144
D702,358 S * 4/2014 Shinohara et al. D24/187
D703,337 S * 4/2014 Fuhr et al. D24/200
D706,433 S * 6/2014 Fuhr et al. D24/200

* cited by examiner

Primary Examiner — T. Chase Nelson

Assistant Examiner — Mark Cavanna

(74) *Attorney, Agent, or Firm* — Warner Norcross & Judd LLP

(57) **CLAIM**

The ornamental design for an ultrasound device, as shown and described.

DESCRIPTION

FIG. 1 is a perspective view of the ultrasound device embodying the new design;

FIG. 2 is a right side view of the design, the left side view being a mirror image thereof;

FIG. 3 is a front view thereof;

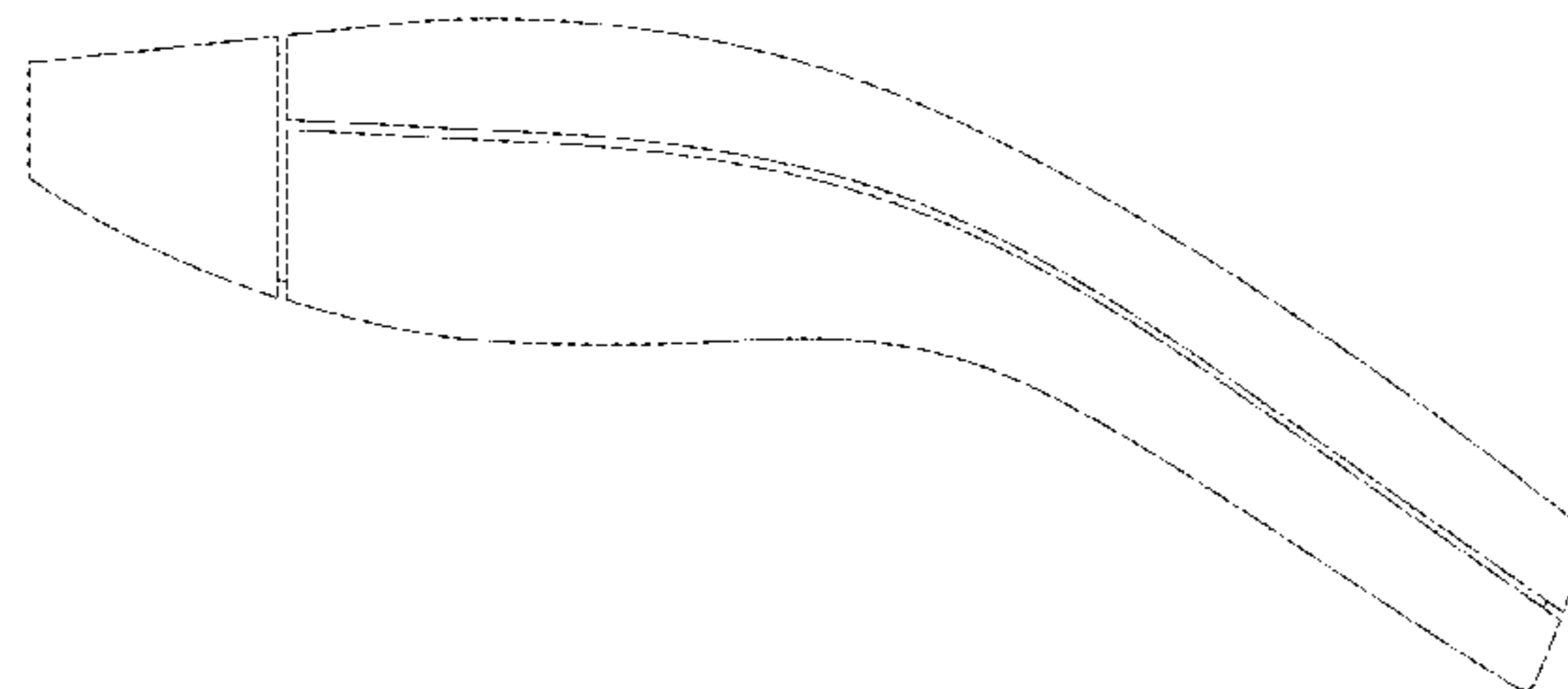
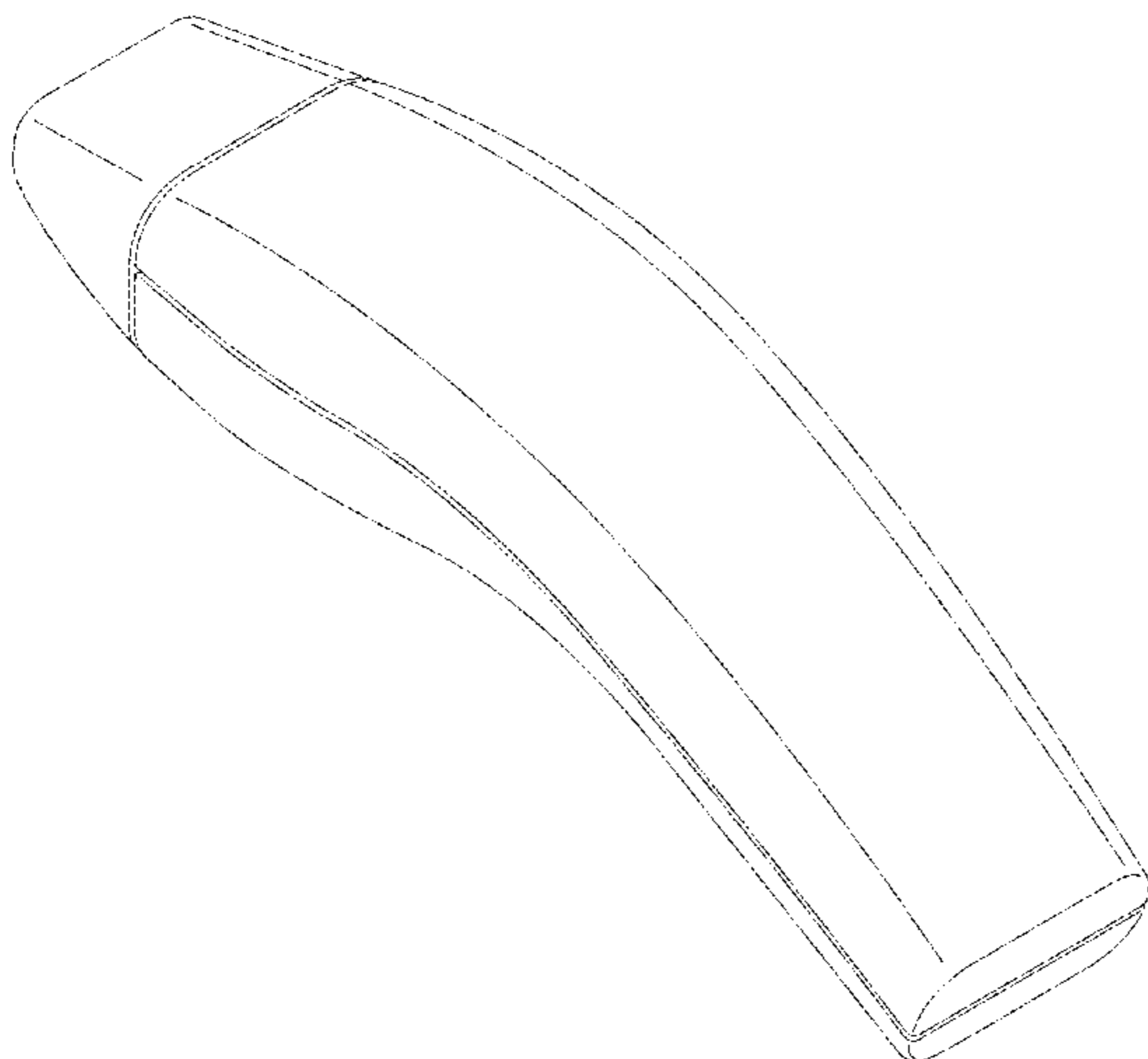
FIG. 4 is a rear view thereof;

FIG. 5 is a top view thereof; and,

FIG. 6 is a bottom view thereof.

The broken lines are included for the purpose of illustrating portions of the ultrasound device that form no part of the claimed design.

1 Claim, 3 Drawing Sheets



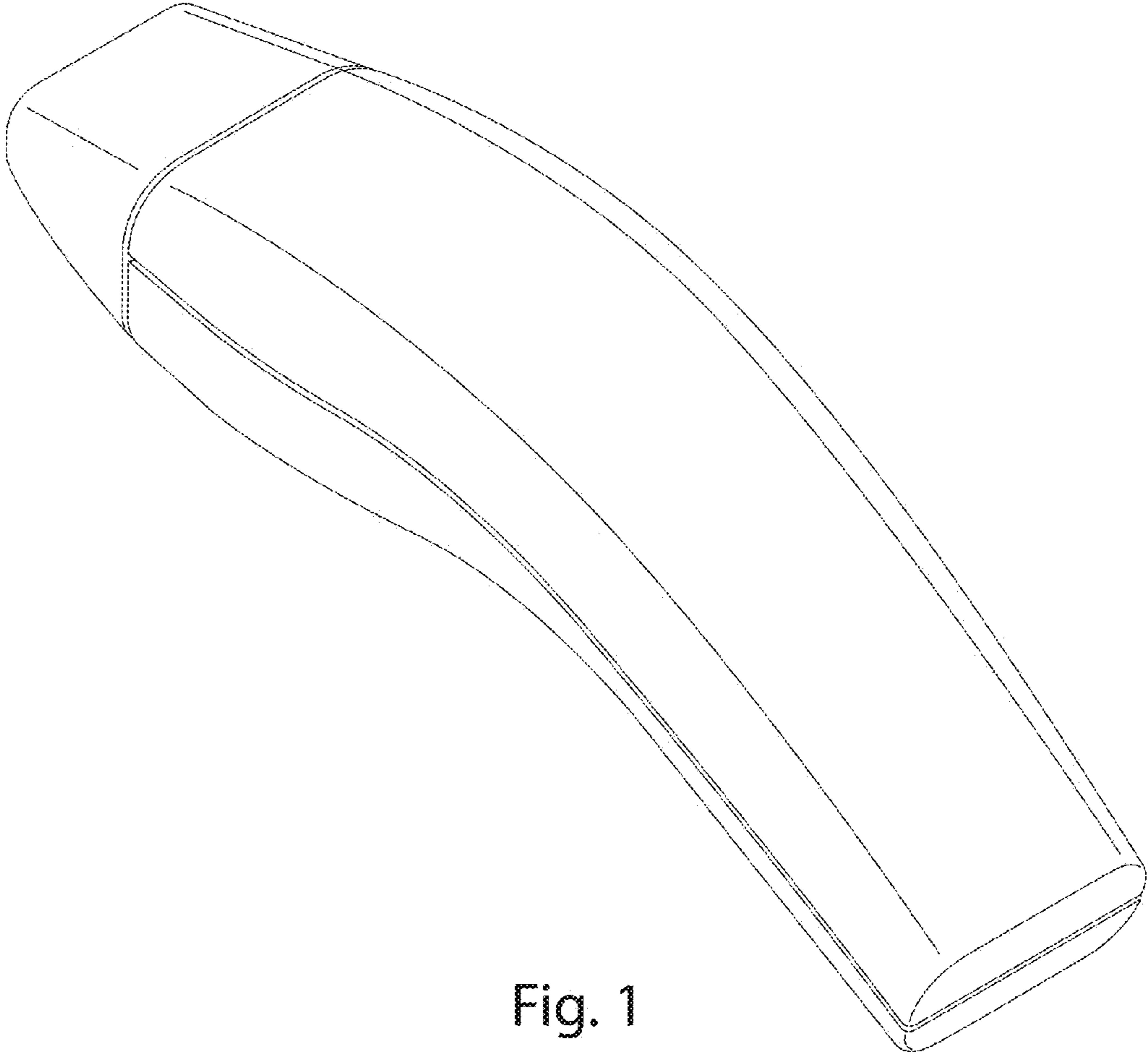


Fig. 1

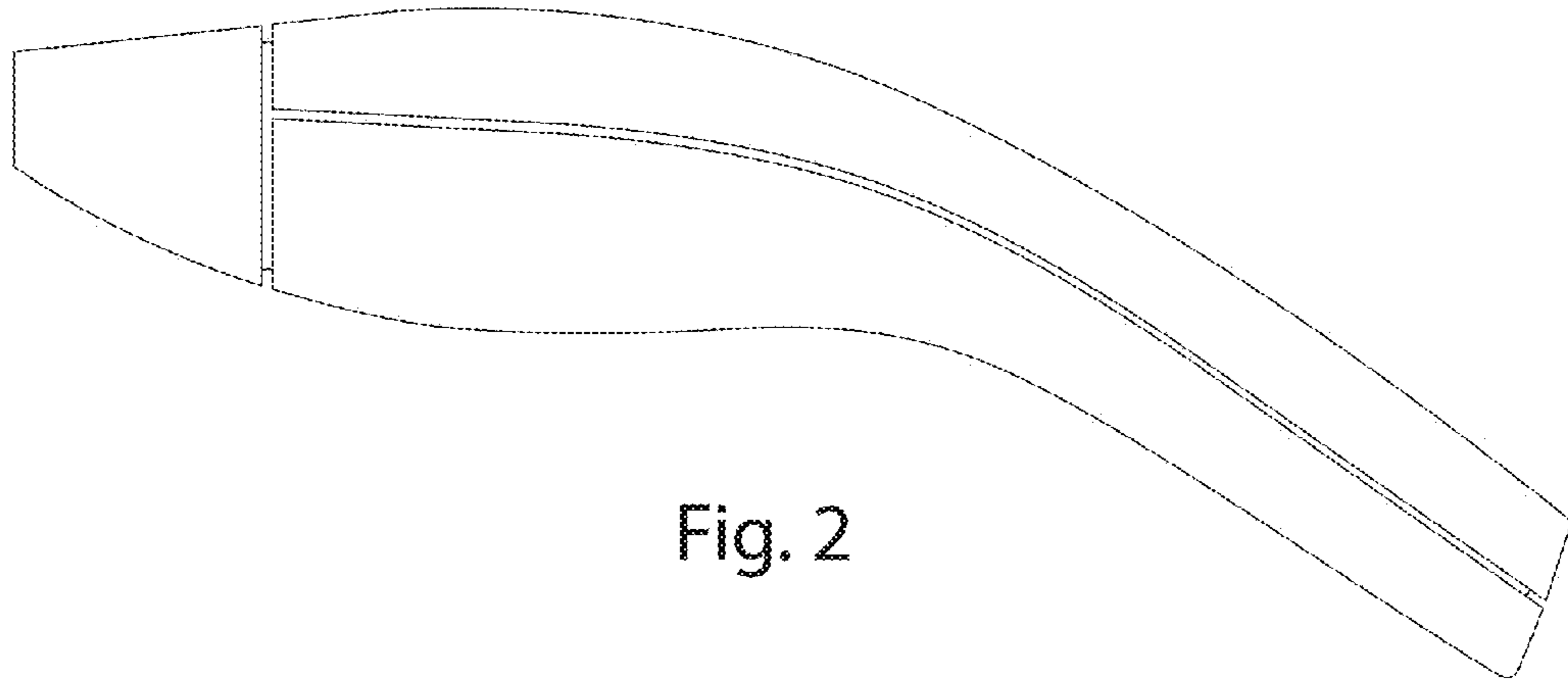


Fig. 2

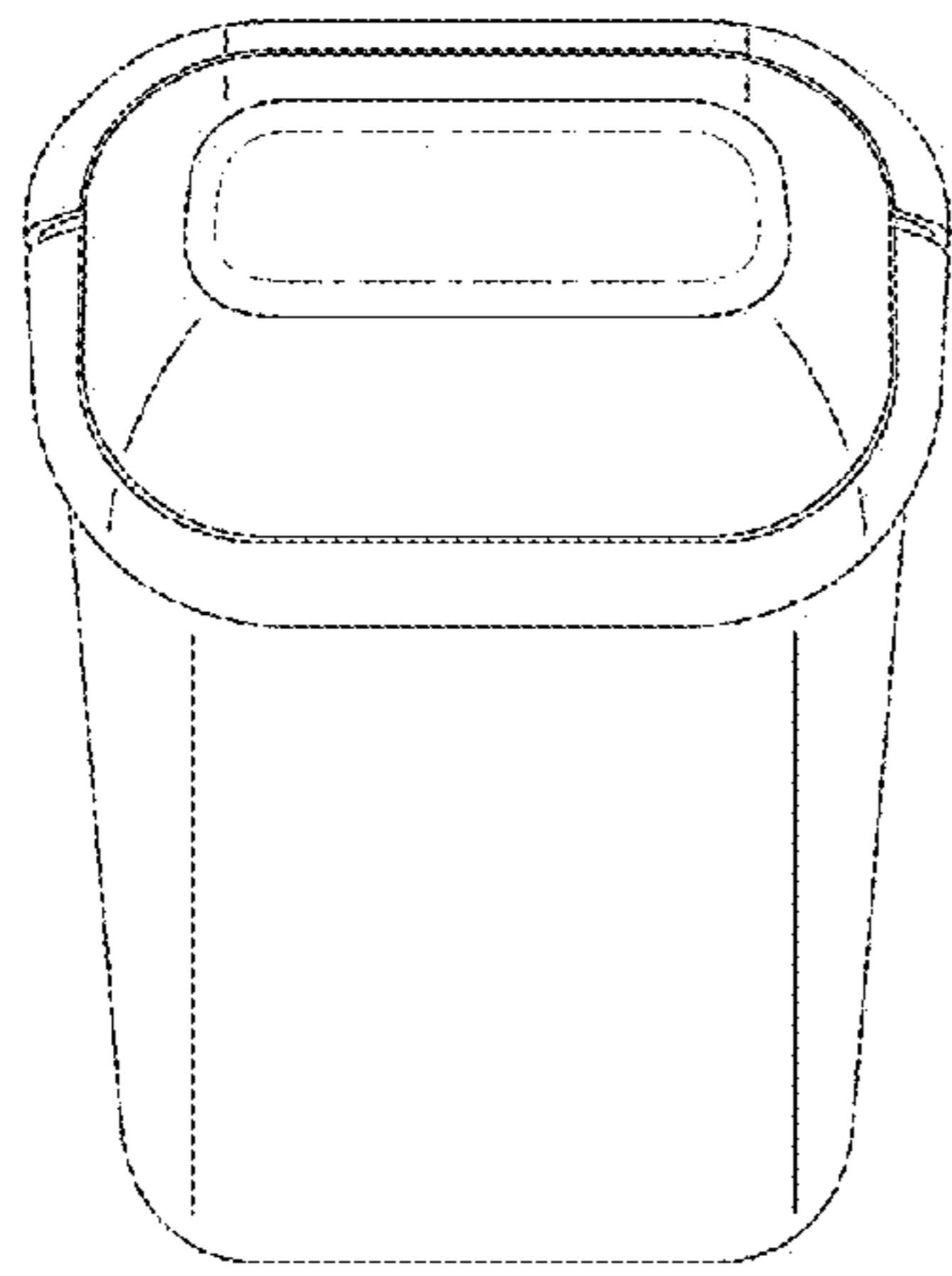


Fig. 3

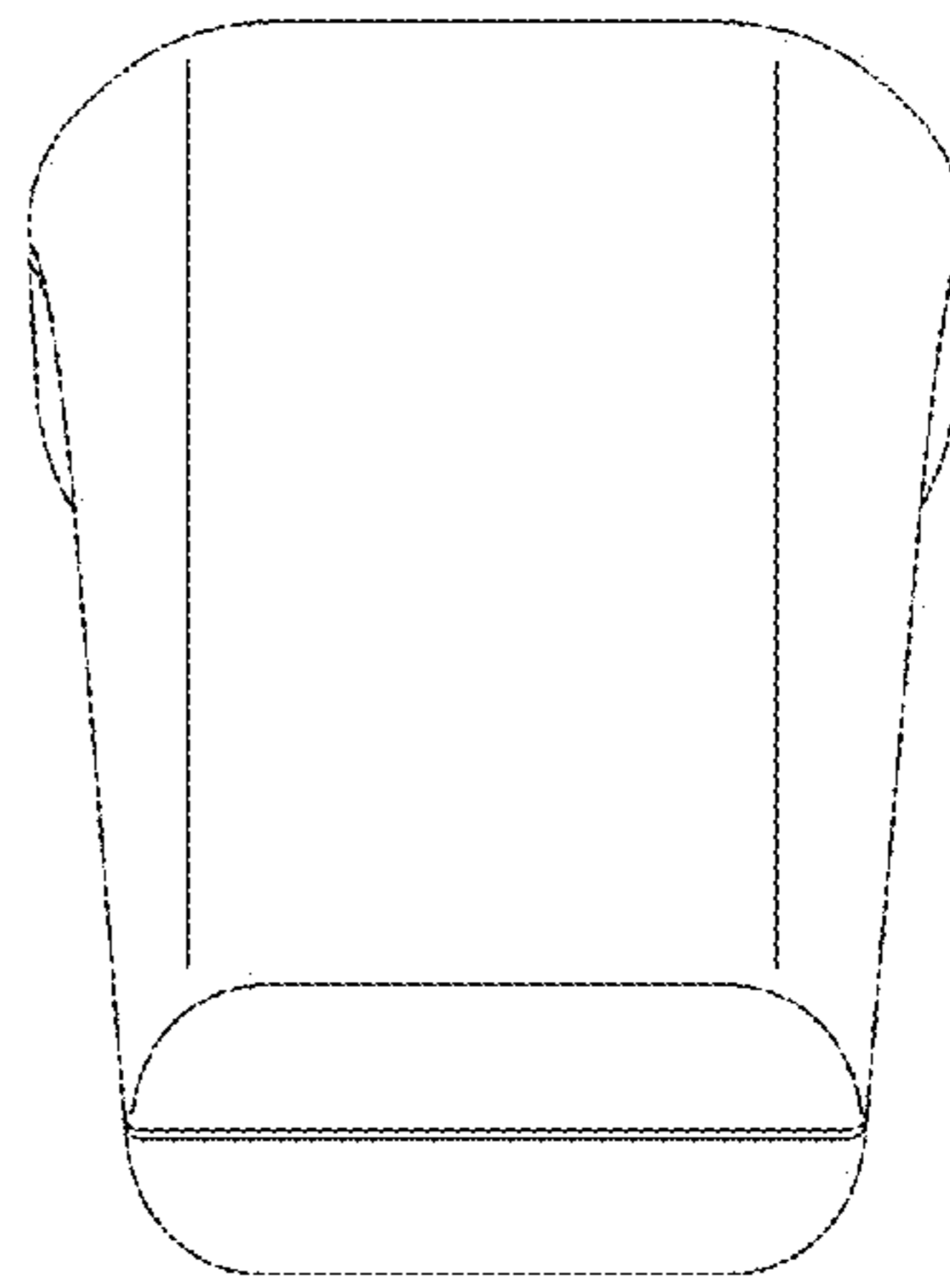


Fig. 4

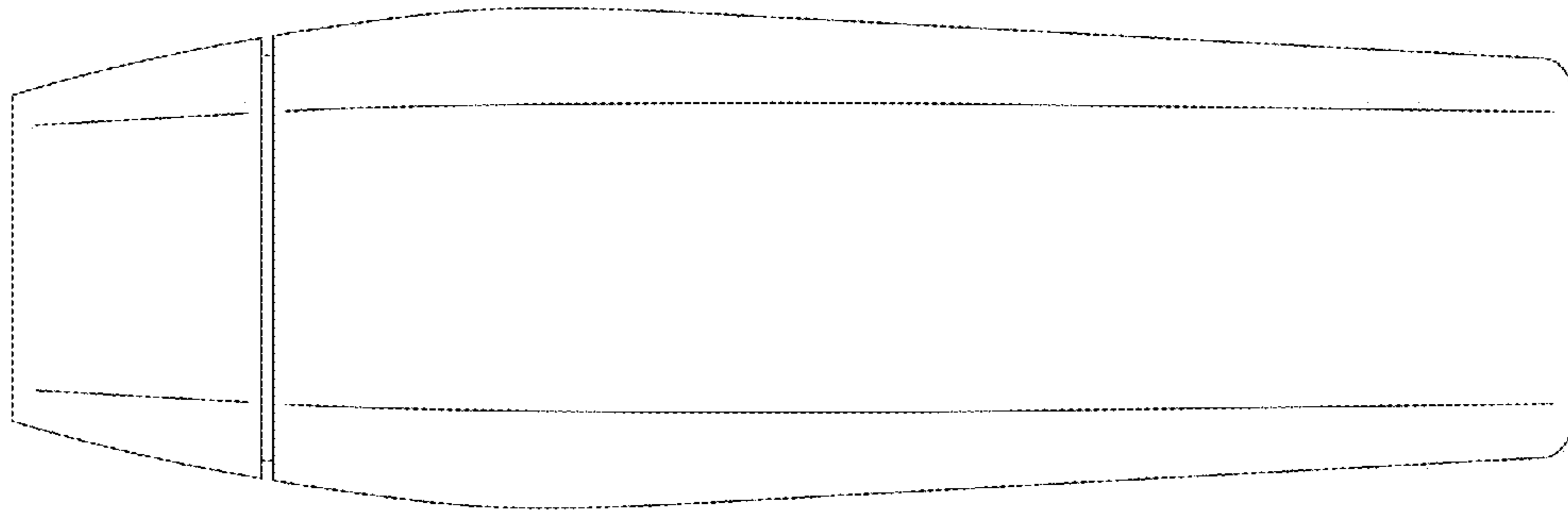


Fig. 5

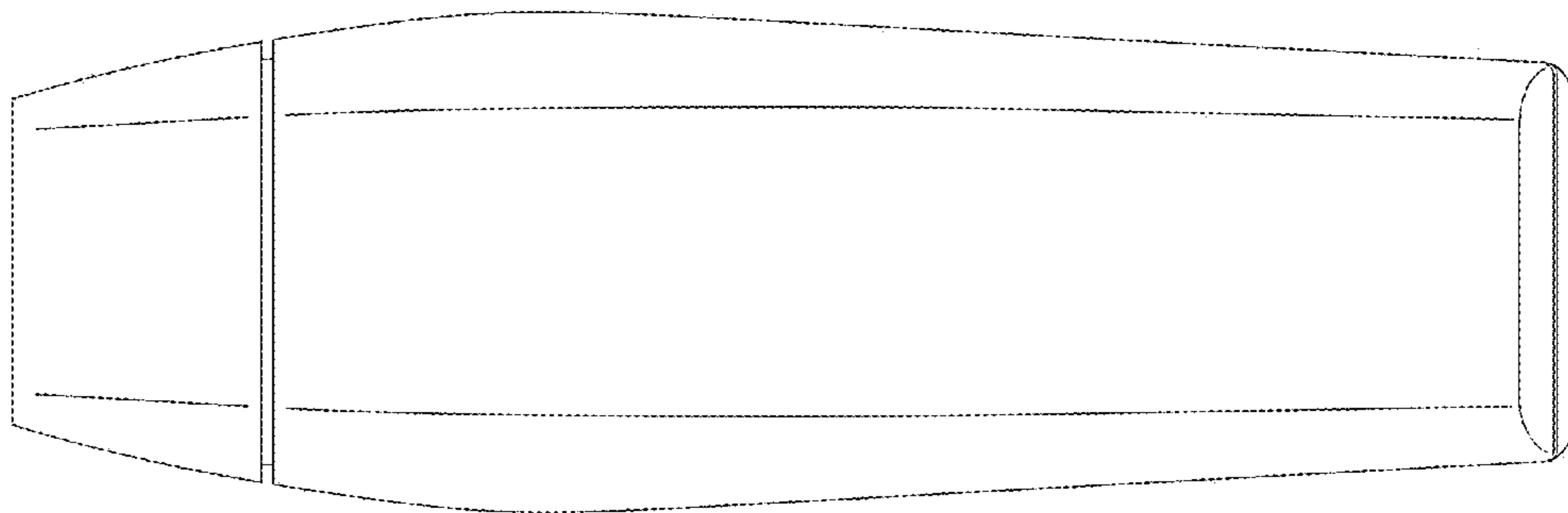


Fig. 6