



US00D742530S

(12) **United States Design Patent**
Pippel et al.

(10) **Patent No.:** **US D742,530 S**

(45) **Date of Patent:** **** Nov. 3, 2015**

(54) **ULTRASOUND DEVICE AND HOLDER**

(71) Applicant: **Access Business Group International LLC**, Ada, MI (US)

(72) Inventors: **Bradley J. Pippel**, Grandville, MI (US);
Sean T. Eurich, Holland, MI (US); **Joe D. Doucet**, New York, NY (US)

(73) Assignee: **Access Business Group International LLC**, Ada, MI (US)

(**) Term: **14 Years**

(21) Appl. No.: **29/469,567**

(22) Filed: **Oct. 11, 2013**

(51) **LOC (10) Cl.** **24-01**

(52) **U.S. Cl.**
USPC **D24/187**

(58) **Field of Classification Search**
USPC D24/158, 185–187, 200, 214–215, 142,
D24/206, 209; D10/78; 600/407, 446,
600/459–462, 437; 378/98.7, 98.8, 189;
D8/356

See application file for complete search history.

(56) **References Cited**

U.S. PATENT DOCUMENTS

D226,583 S *	3/1973	Welch	D24/214
D303,706 S *	9/1989	King	D24/142
D323,034 S *	1/1992	Reinstein	D24/206
D343,801 S *	2/1994	Burns et al.	D10/78
5,482,047 A *	1/1996	Nordgren et al.	600/459
D369,307 S *	4/1996	Imling et al.	D10/78
D375,450 S *	11/1996	Bidwell et al.	D8/356
D390,959 S *	2/1998	Mesaros et al.	D24/186
D391,838 S *	3/1998	Bidwell et al.	D8/356
6,746,402 B2 *	6/2004	Ustuner	600/462

D550,365 S *	9/2007	Kitayama	D24/186
D554,264 S *	10/2007	Watson et al.	D24/186
D636,087 S *	4/2011	Loew et al.	D24/200
D636,088 S *	4/2011	Loew et al.	D24/200
D653,347 S *	1/2012	Tani et al.	D24/185
D687,153 S *	7/2013	Torzilli	D24/187
D700,970 S *	3/2014	Kim	D24/187
D702,358 S *	4/2014	Shinohara et al.	D24/187
D703,337 S *	4/2014	Fuhr et al.	D24/200
D705,939 S *	5/2014	Bradley et al.	D24/209
D706,433 S *	6/2014	Fuhr et al.	D24/200
D712,043 S *	8/2014	Sliger	D24/186
2008/0249406 A1 *	10/2008	Naruse	600/437

* cited by examiner

Primary Examiner — T. Chase Nelson

Assistant Examiner — Mark Cavanna

(74) *Attorney, Agent, or Firm* — Warner Norcross & Judd LLP

(57) **CLAIM**

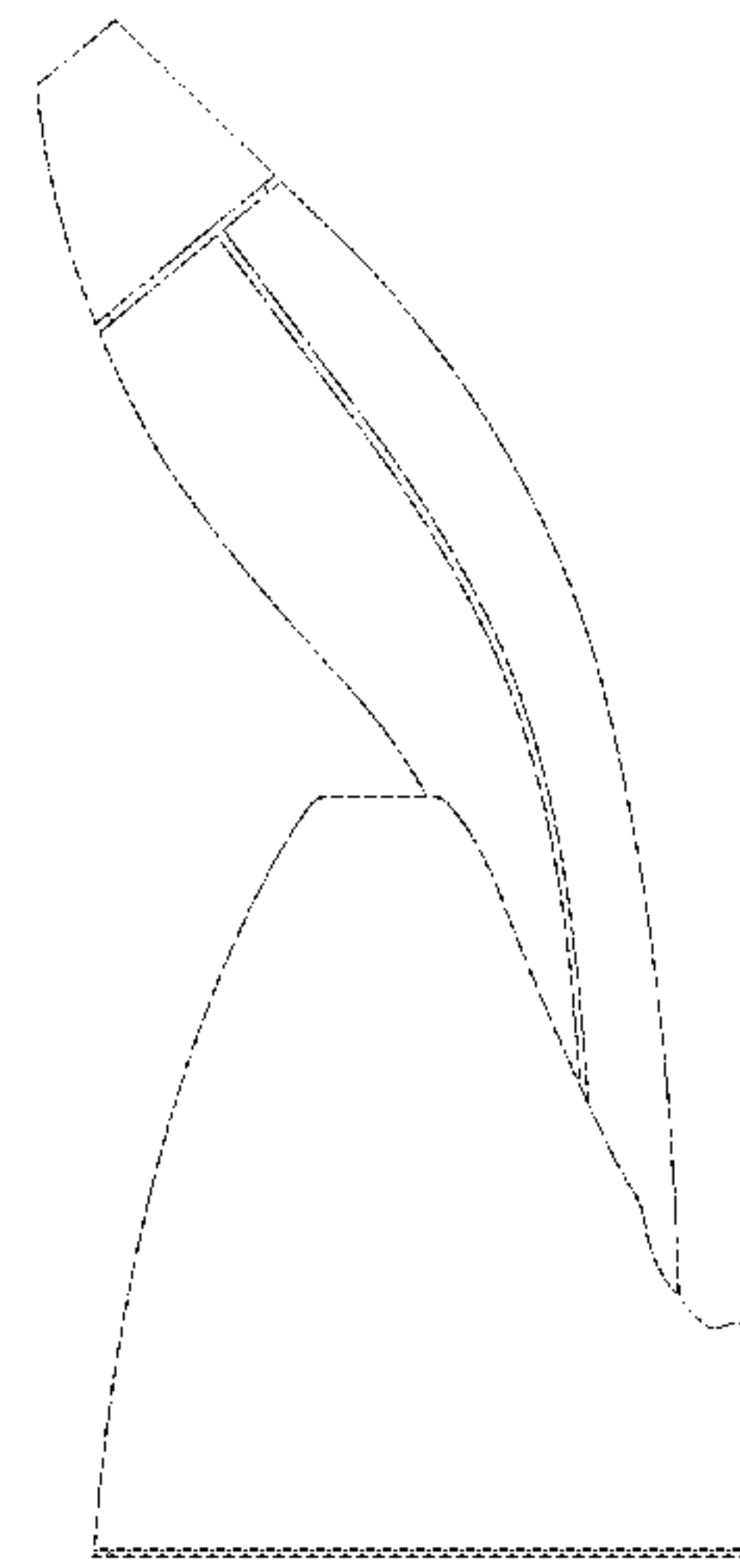
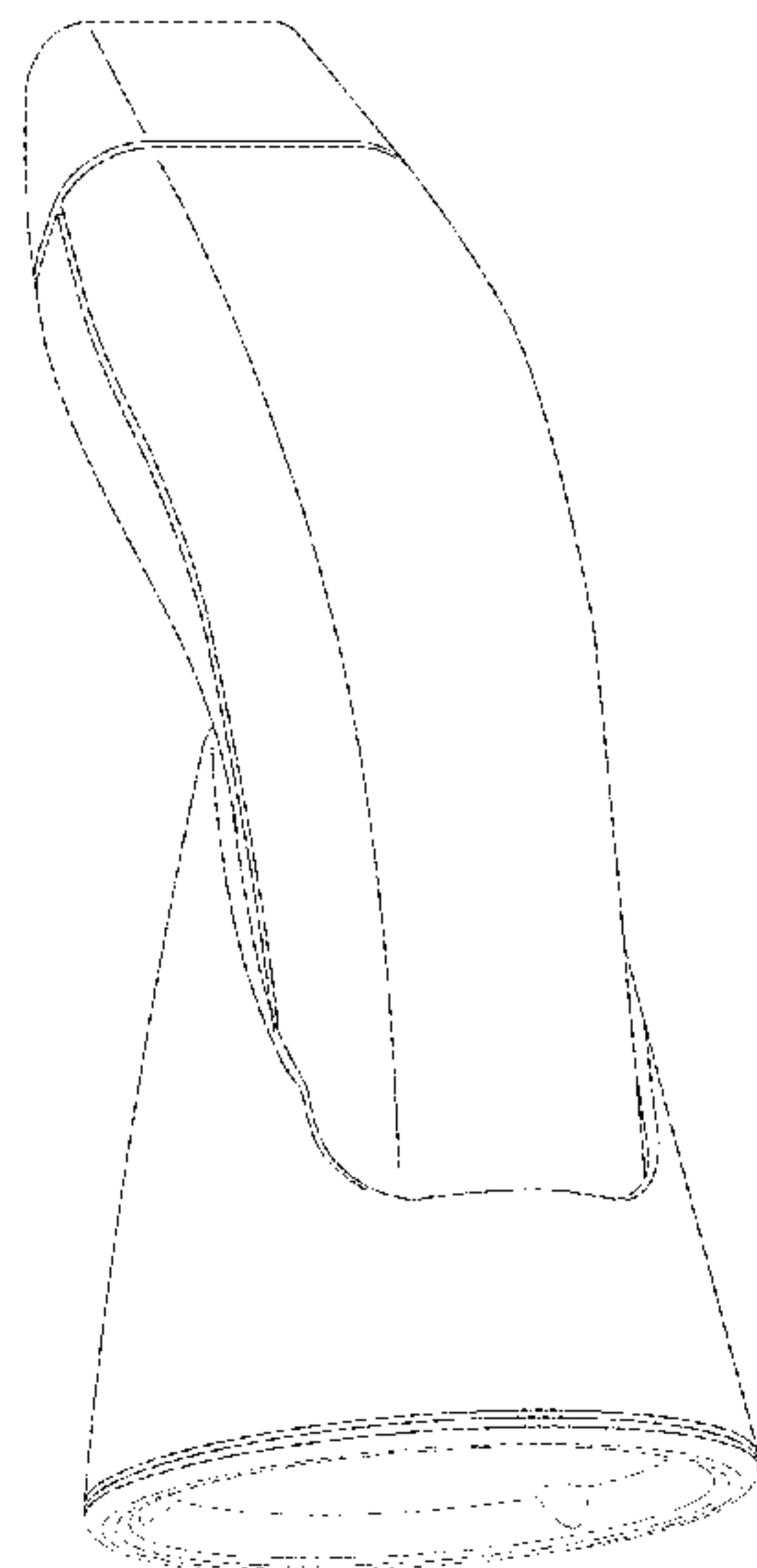
The ornamental design for an ultrasound device and holder, as shown and described.

DESCRIPTION

FIG. 1 is a perspective view of the ultrasound device and holder embodying the new design;
FIG. 2 is a right side view of the design, the left side view being a mirror image thereof;
FIG. 3 is a top view thereof;
FIG. 4 is a bottom view thereof;
FIG. 5 is a rear view thereof; and,
FIG. 6 is a front view thereof.

The portions shown in broken lines in FIGS. 1-6 are shown for environmental purposes and form no part of the claimed design. The broken lines immediately adjacent to solid lines form the boundary of the claimed design.

1 Claim, 3 Drawing Sheets



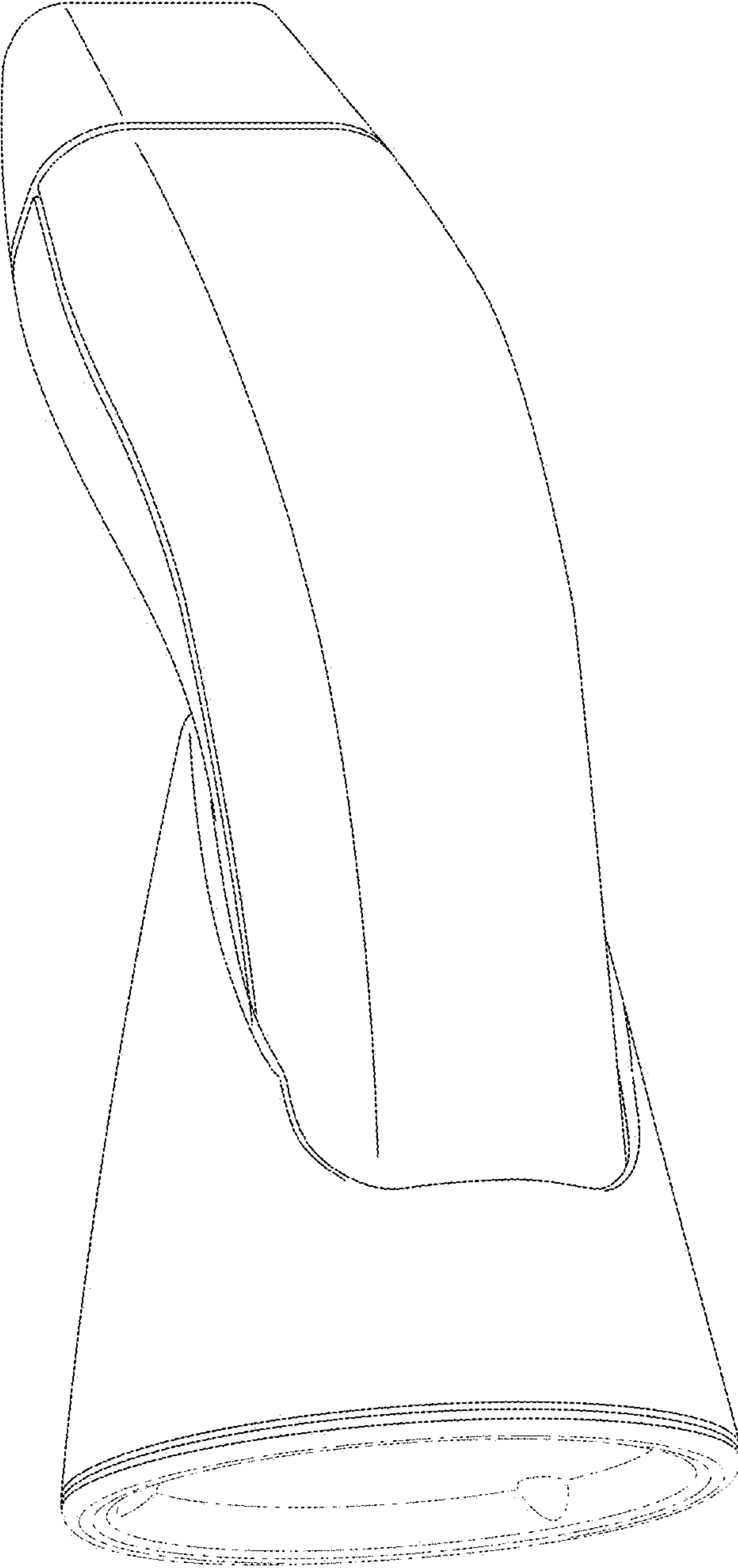


Fig. 1

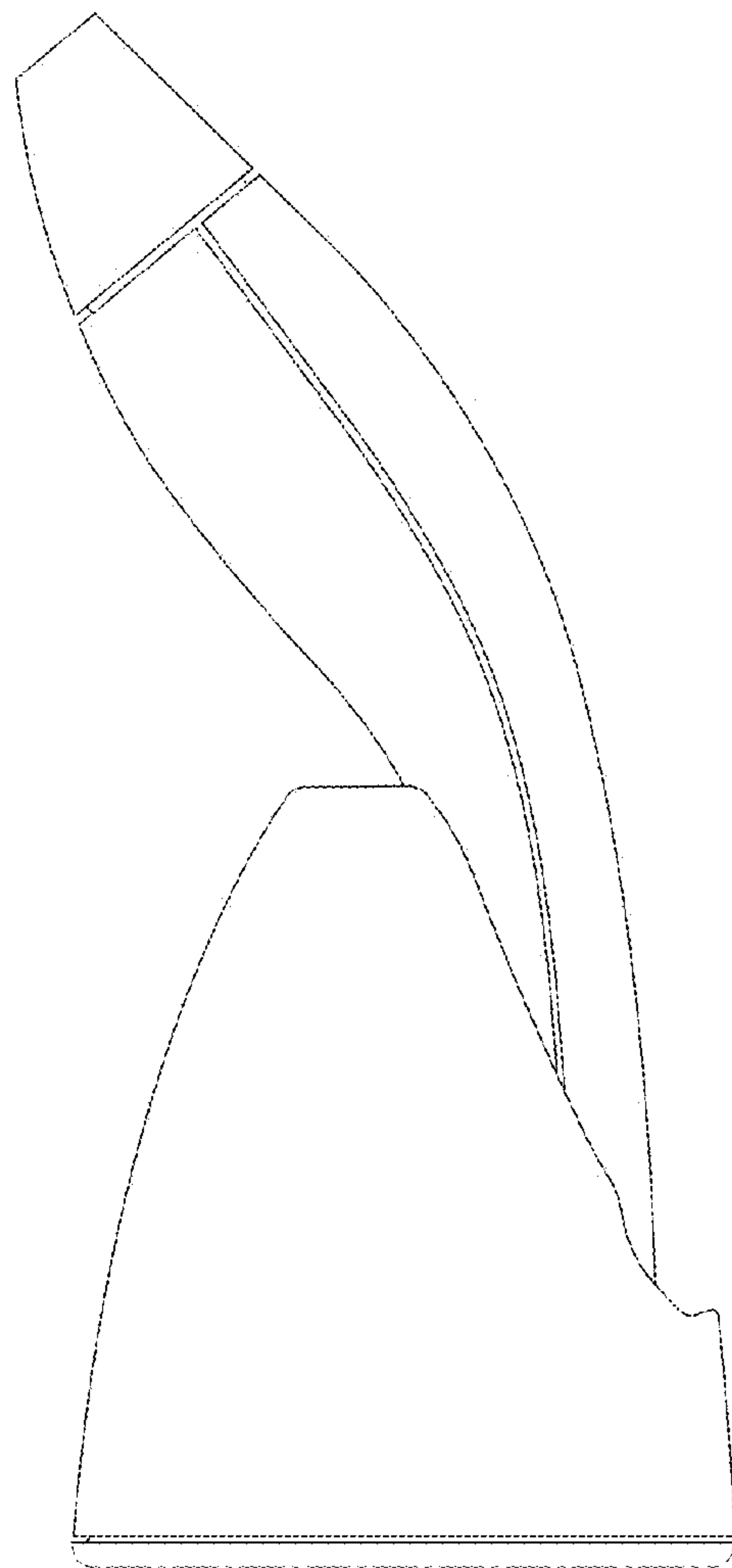


Fig. 2

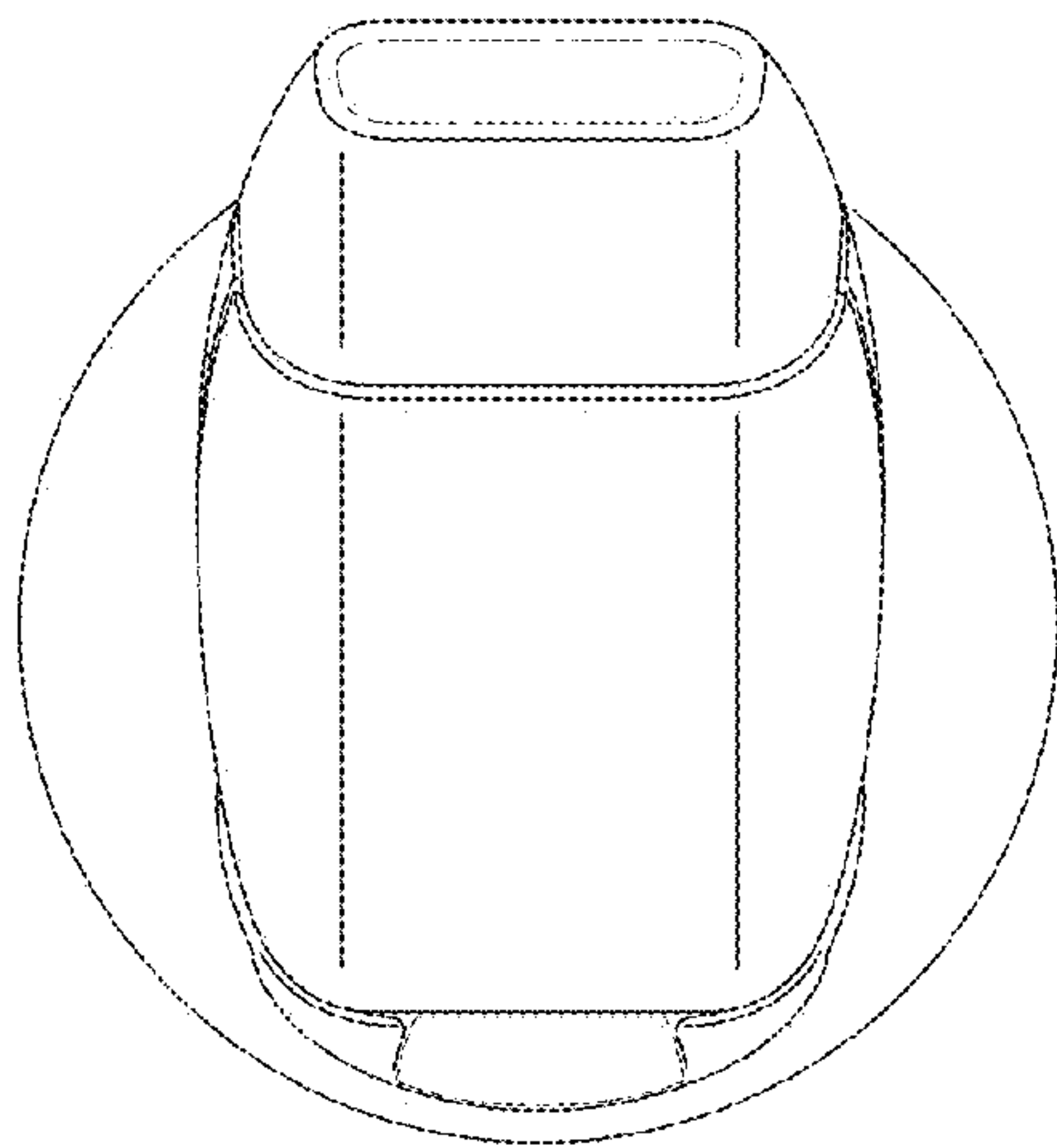


Fig. 3

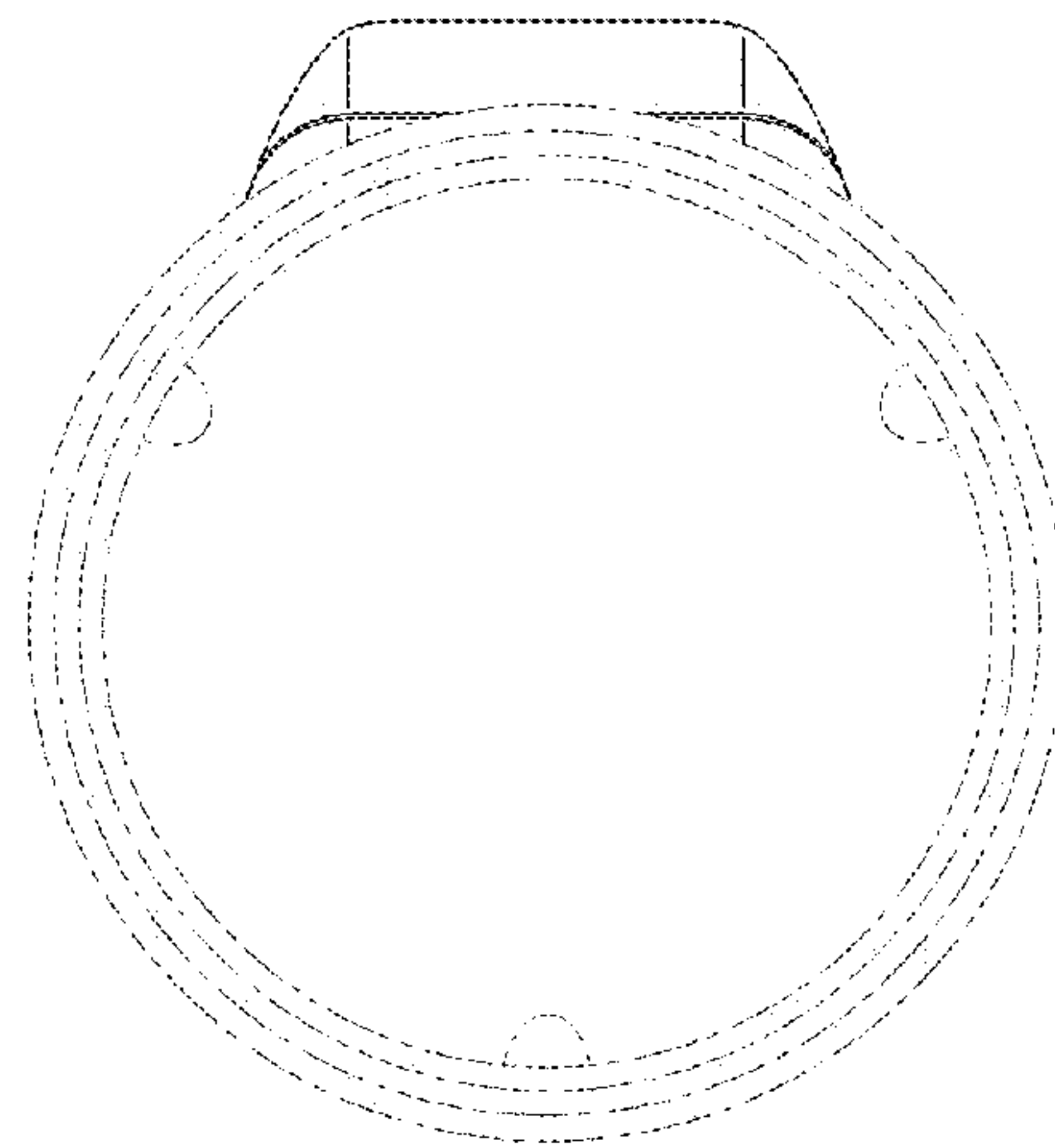


Fig. 4

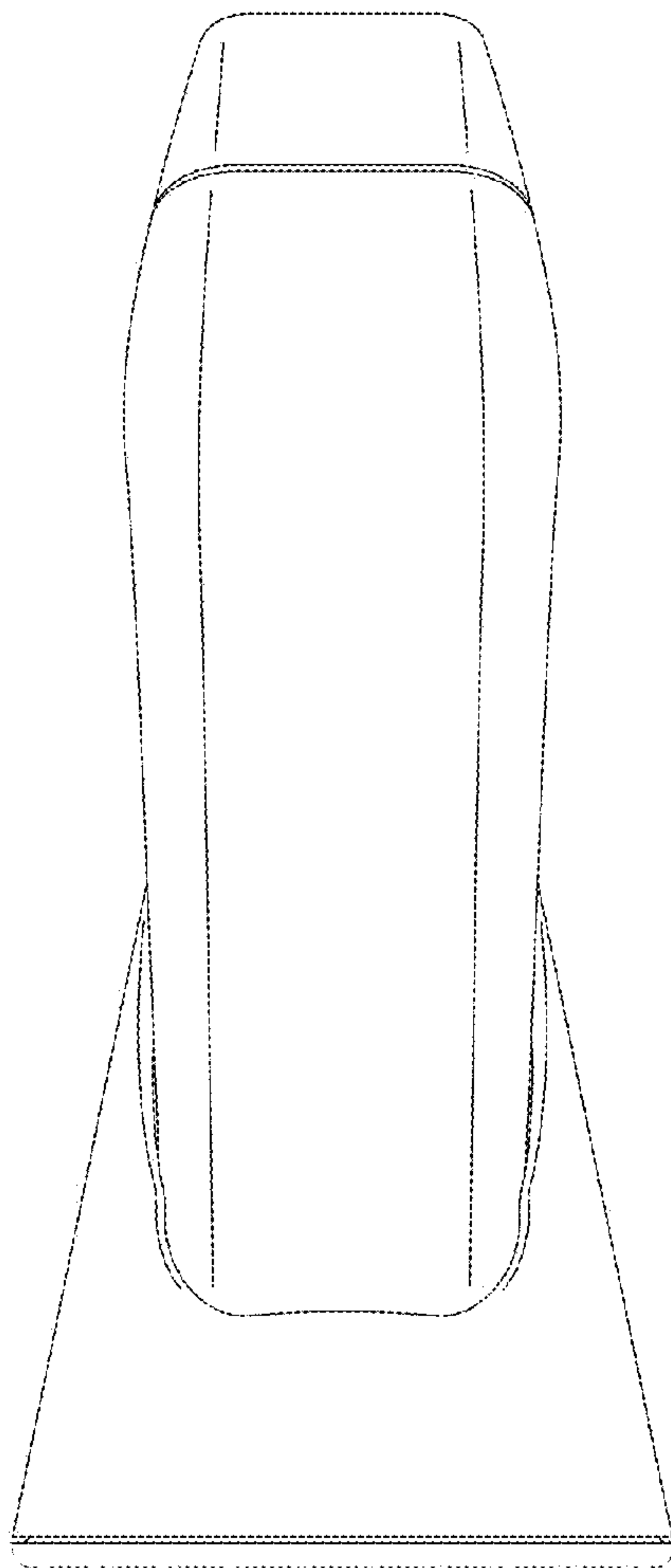


Fig. 5

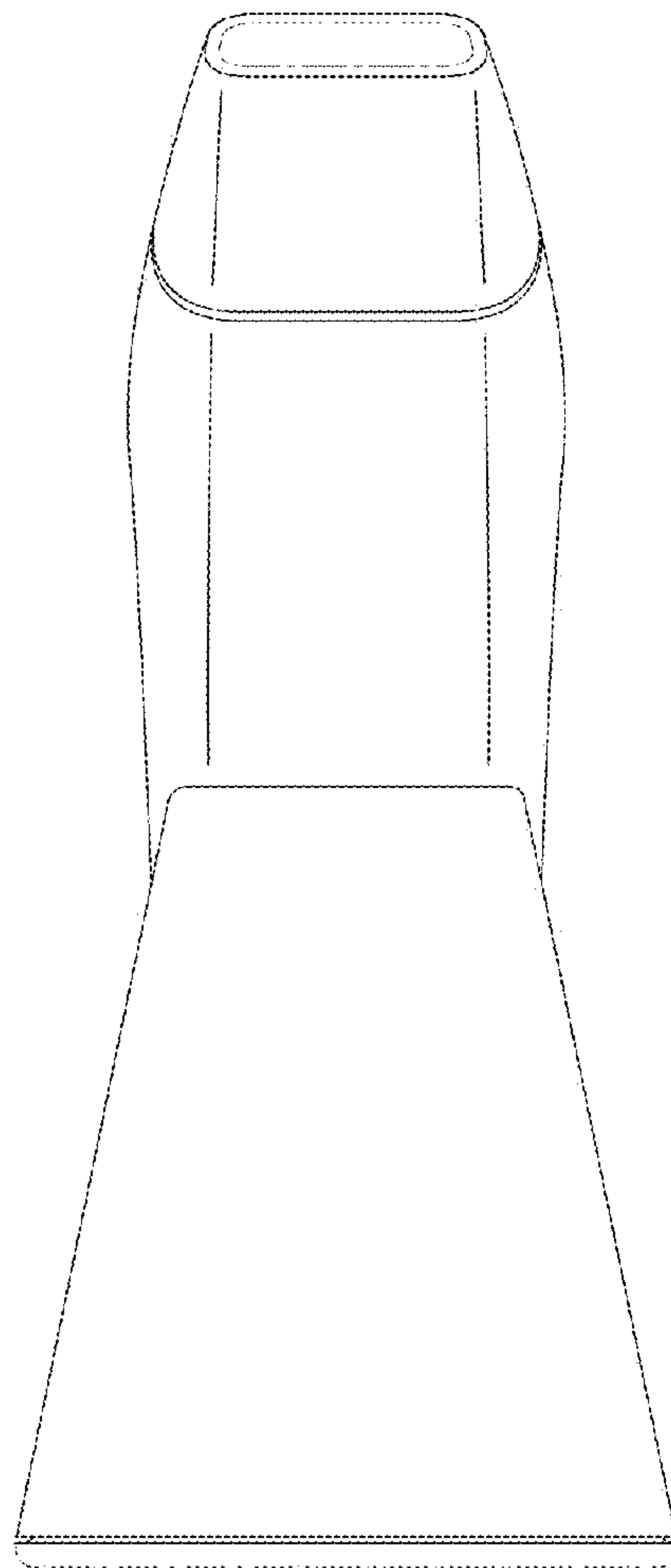


Fig. 6