



US00D742529S

(12) **United States Design Patent**  
**Huffman**

(10) **Patent No.:** **US D742,529 S**  
(45) **Date of Patent:** **\*\* Nov. 3, 2015**

(54) **COVER FOR A MEDICAL ALERT DEVICE**  
(71) Applicant: **Lauren Huffman**, West Linn, OR (US)  
(72) Inventor: **Lauren Huffman**, West Linn, OR (US)  
(\*\*) Term: **14 Years**

(21) Appl. No.: **29/475,474**  
(22) Filed: **Dec. 3, 2013**  
(51) **LOC (10) Cl.** ..... **24-01**  
(52) **U.S. Cl.**  
USPC ..... **D24/186**

(58) **Field of Classification Search**  
USPC ..... D24/186–187, 127–128, 199, 231, 224,  
D24/184, 110; 600/384, 390–393, 587;  
D10/103, 104.2, 122, 46, 104.1, 81;  
D14/191, 455, 250, 339, 341, 113;  
D9/435; D13/177, 152; 119/859;  
D29/121; D16/219; 455/100; D11/79,  
D11/80; 34/176; 206/38.1, 37; 368/10  
CPC ..... A61B 5/0404; A61B 5/6831; A61B  
5/04087; A61B 5/04085; A61B 8/06; A01K  
27/009; H04B 1/0343; F26B 17/16; G04C  
23/00; G04C 23/16  
See application file for complete search history.

(56) **References Cited**

**U.S. PATENT DOCUMENTS**

4,491,970 A \* 1/1985 LaWhite et al. .... 455/100  
D340,005 S \* 10/1993 Butler, Jr. .... D11/79  
D341,333 S \* 11/1993 Prout ..... D11/80  
5,450,064 A \* 9/1995 Williams et al. .... 341/176  
D381,922 S \* 8/1997 Casperson ..... D10/104.2  
D414,861 S \* 10/1999 Metzger ..... D24/110  
D432,939 S \* 10/2000 Hooglander ..... D11/80  
6,351,903 B1 \* 3/2002 Tuomi ..... 206/38.1  
6,419,158 B2 \* 7/2002 Hooglander ..... 206/37  
D465,486 S \* 11/2002 Lee ..... D14/341

D484,069 S \* 12/2003 Robinson ..... D11/80  
6,934,220 B1 \* 8/2005 Cruitt et al. .... 368/10  
D518,643 S \* 4/2006 Kling ..... D4/113  
D554,616 S \* 11/2007 Pierce ..... D14/191  
D559,138 S \* 1/2008 Cothron et al. .... D10/104.1  
D565,436 S \* 4/2008 McDarby et al. .... D10/46  
7,845,313 B1 \* 12/2010 Yates et al. .... 119/859

(Continued)

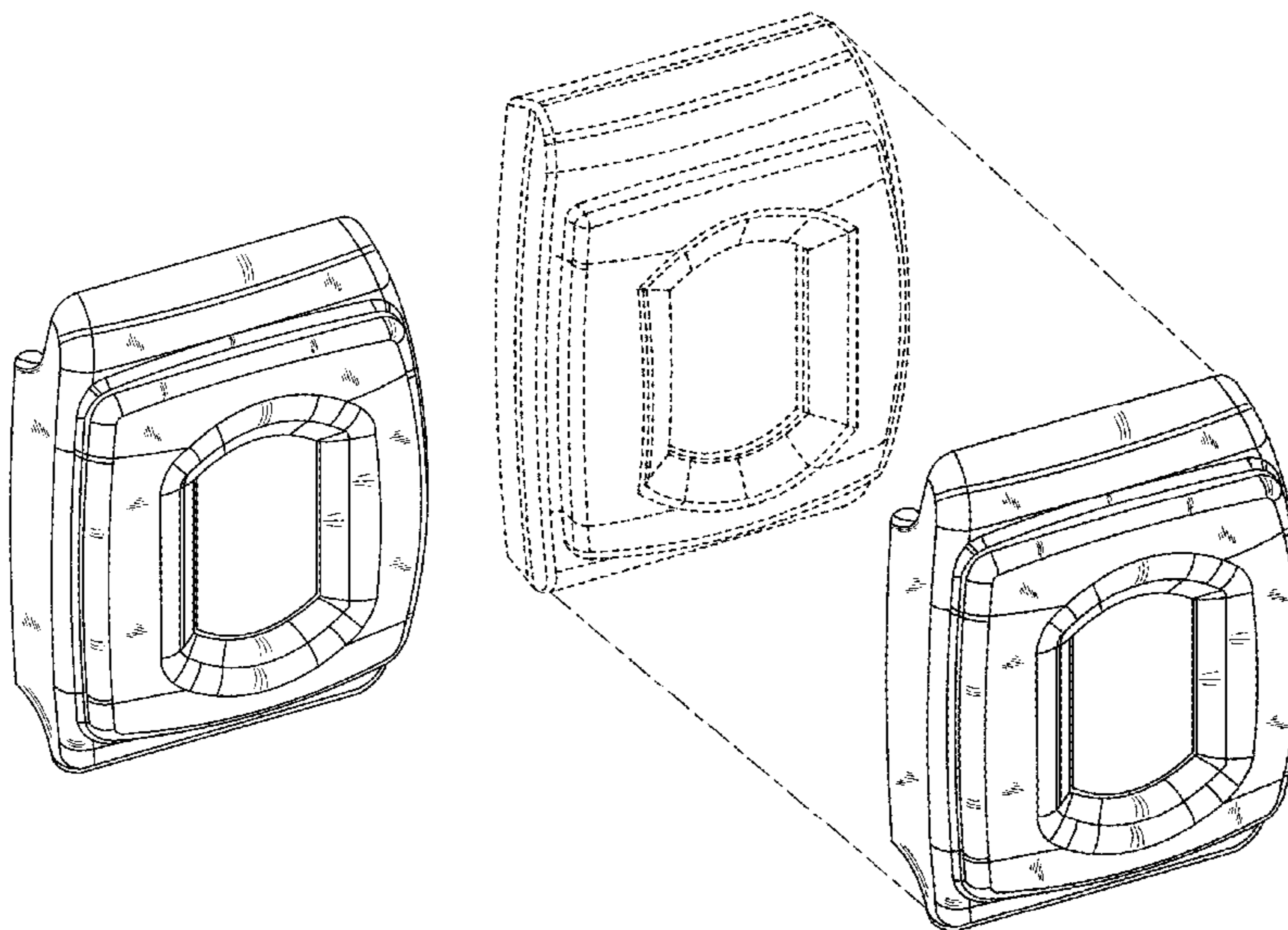
*Primary Examiner* — T. Chase Nelson  
*Assistant Examiner* — Mark Cavanna  
(74) *Attorney, Agent, or Firm* — Hilde Coeckx; Apex Juris,  
pllc

(57) **CLAIM**  
The ornamental design for a cover for a medical alert device,  
as shown and described.

**DESCRIPTION**

FIG. 1 is a front perspective view of a cover for a medical alert device showing my new design.  
FIG. 2 is a front view of the cover of FIG. 1.  
FIG. 3 is a rear view of the cover of FIG. 1.  
FIG. 4 is a top view of the cover of FIG. 1.  
FIG. 5 is a bottom view of the cover of FIG. 1.  
FIG. 6 is a left-side view of the cover of FIG. 1.  
FIG. 7 is a right-side view of the cover of FIG. 1.  
FIG. 8 is a front perspective view of the cover of FIG. 1 applied to a medical alert device.  
FIG. 9 is a front perspective view of the cover and medical alert device of FIG. 8 shown as separated; and,  
FIG. 10 is a rear view of the cover and medical alert device of FIG. 8.  
The “dash/dash” style broken lines in FIGS. 8, 9, and 10 illustrate an unclaimed medical alert device. The “dash/dot” style broken lines of FIG. 9, illustrate the relationship of the unclaimed medical alert device to the cover for a medical alert device. The medical alert device is unclaimed environment and forms no part of the claimed design.

**1 Claim, 7 Drawing Sheets**



(56)

**References Cited**

U.S. PATENT DOCUMENTS

D632,802 S \* 2/2011 Salinas et al. .... D24/224  
D640,642 S \* 6/2011 Ball et al. .... D13/177  
D651,320 S \* 12/2011 Forcier ..... D24/194  
D661,661 S \* 6/2012 Marrero ..... D13/152  
D662,262 S \* 6/2012 Jones ..... D29/112

D664,870 S \* 8/2012 Bellin et al. .... D10/81  
D664,960 S \* 8/2012 Stoops ..... D14/455  
D673,992 S \* 1/2013 Kwon et al. .... D16/219  
D681,624 S \* 5/2013 Chang ..... D14/250  
D693,819 S \* 11/2013 Cocquyt ..... D14/439  
D711,758 S \* 8/2014 Heath et al. .... D10/104.1  
2009/0321291 A1 12/2009 Asla

\* cited by examiner

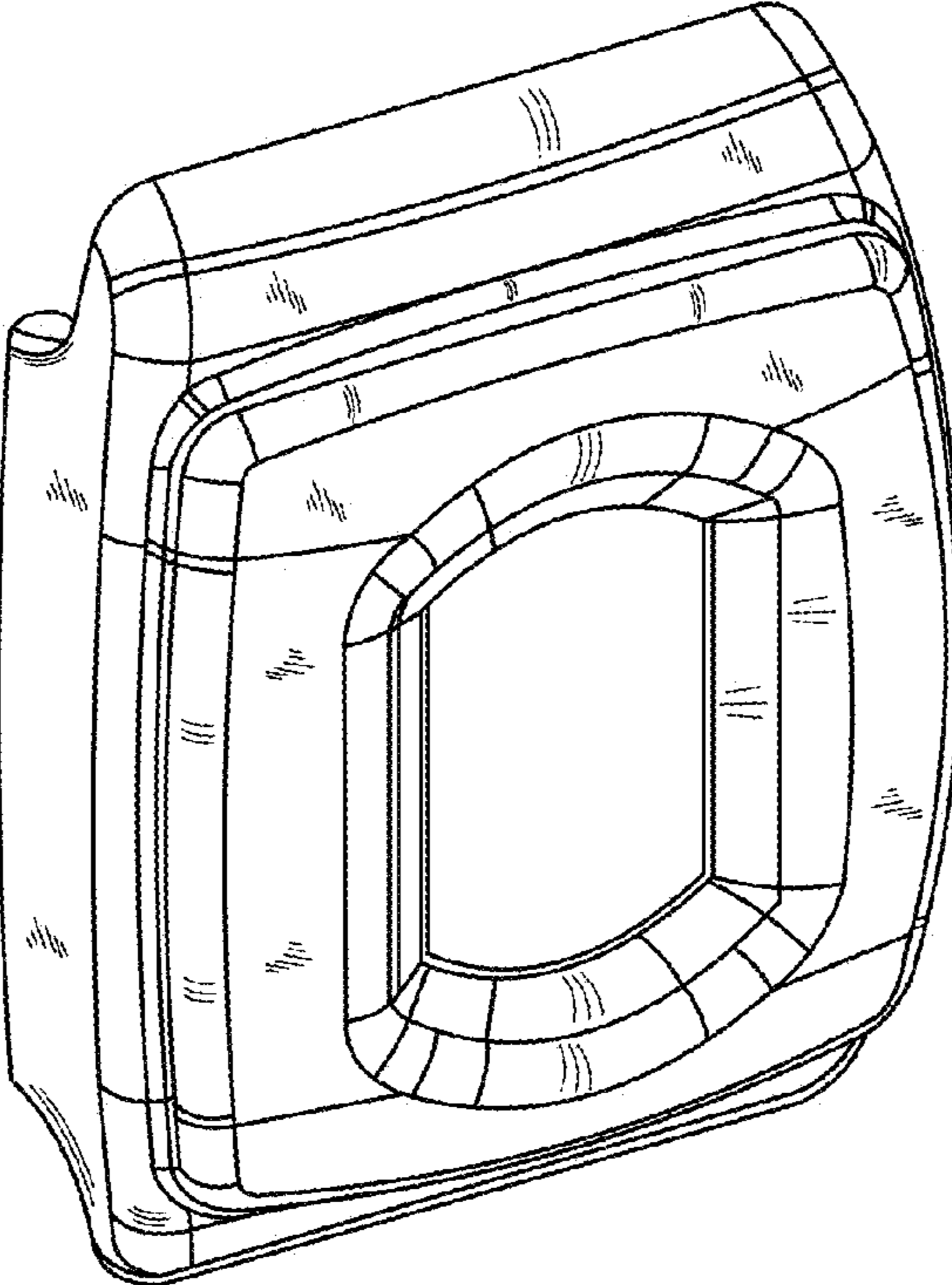


FIG. 1

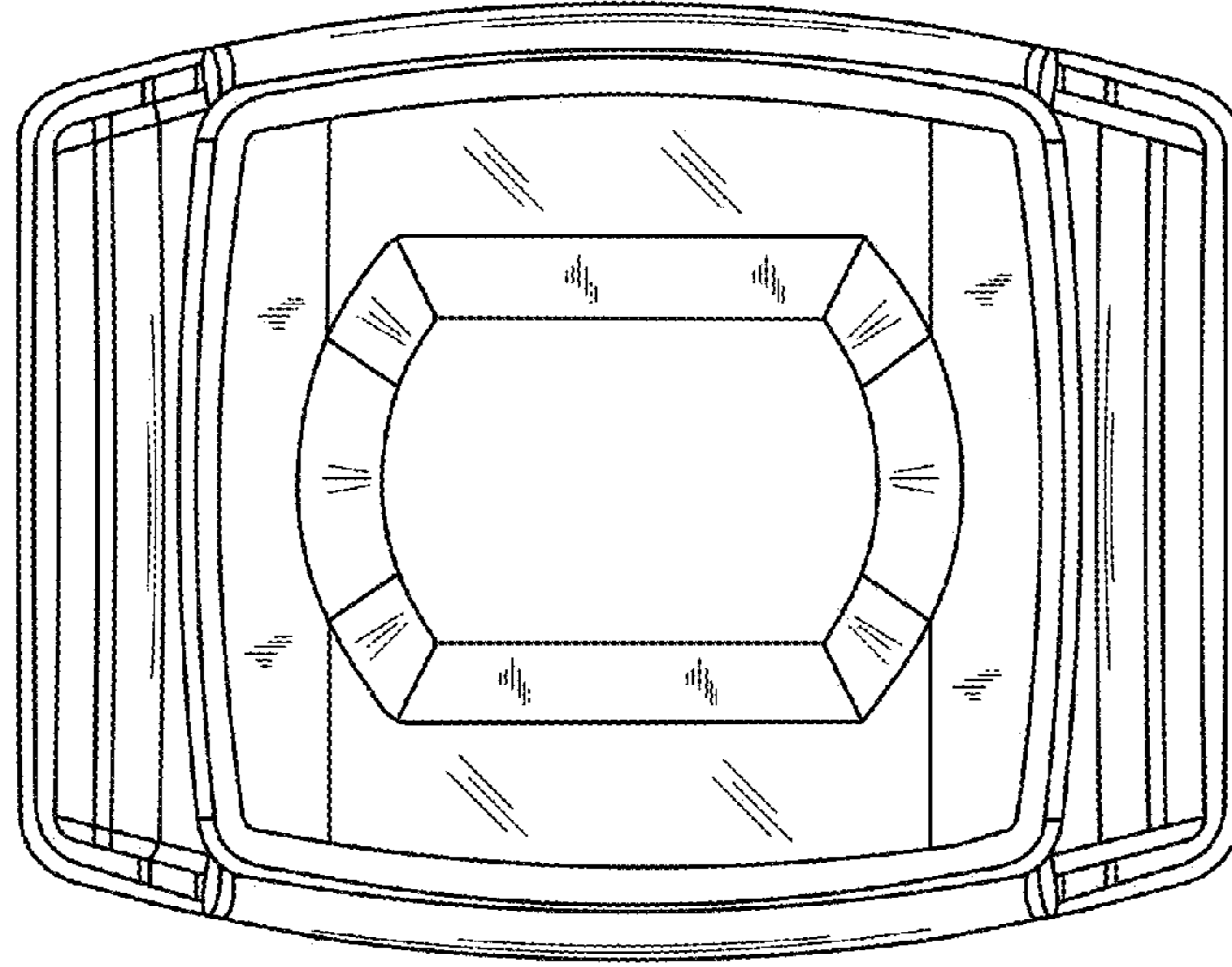


FIG. 3

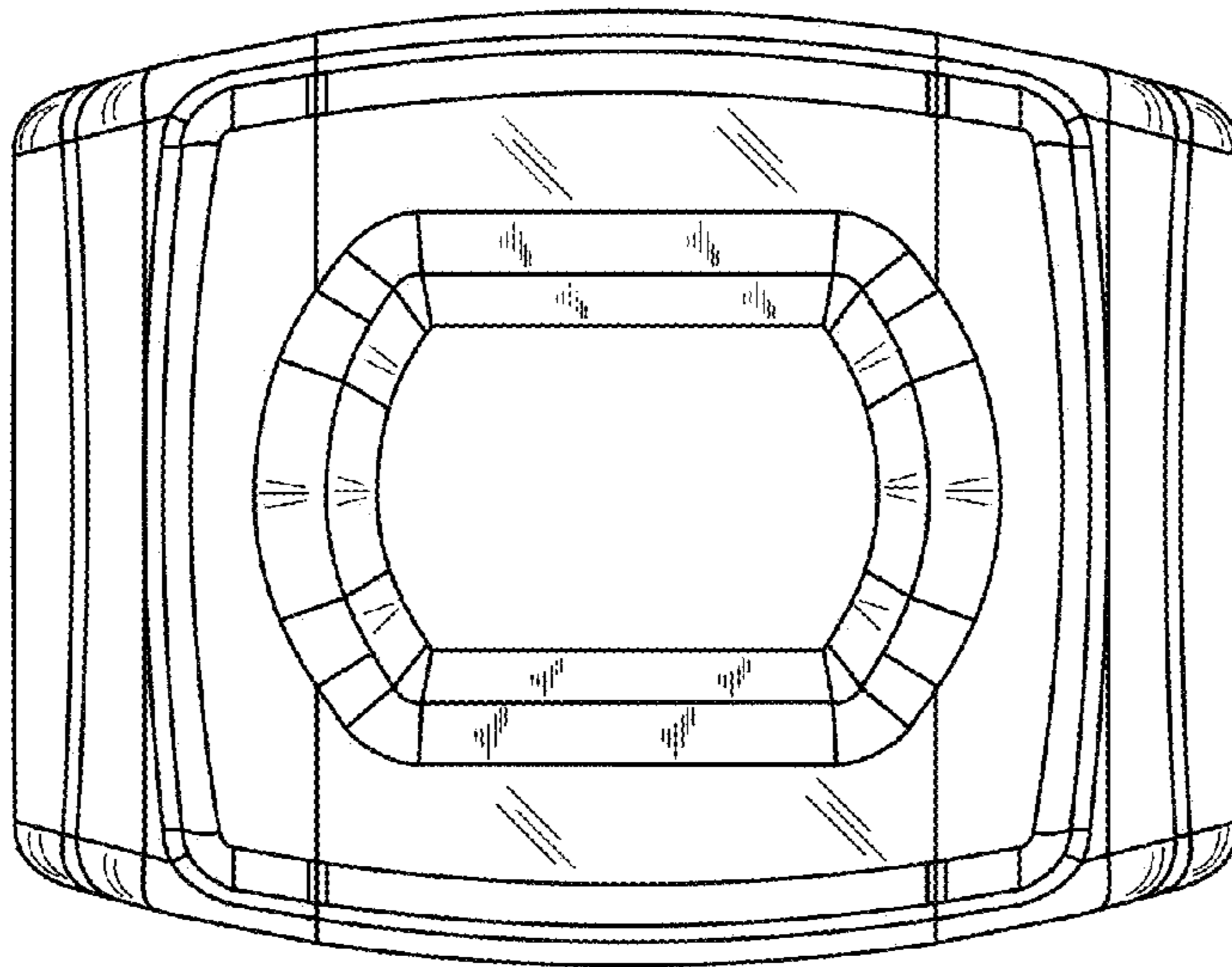


FIG. 2



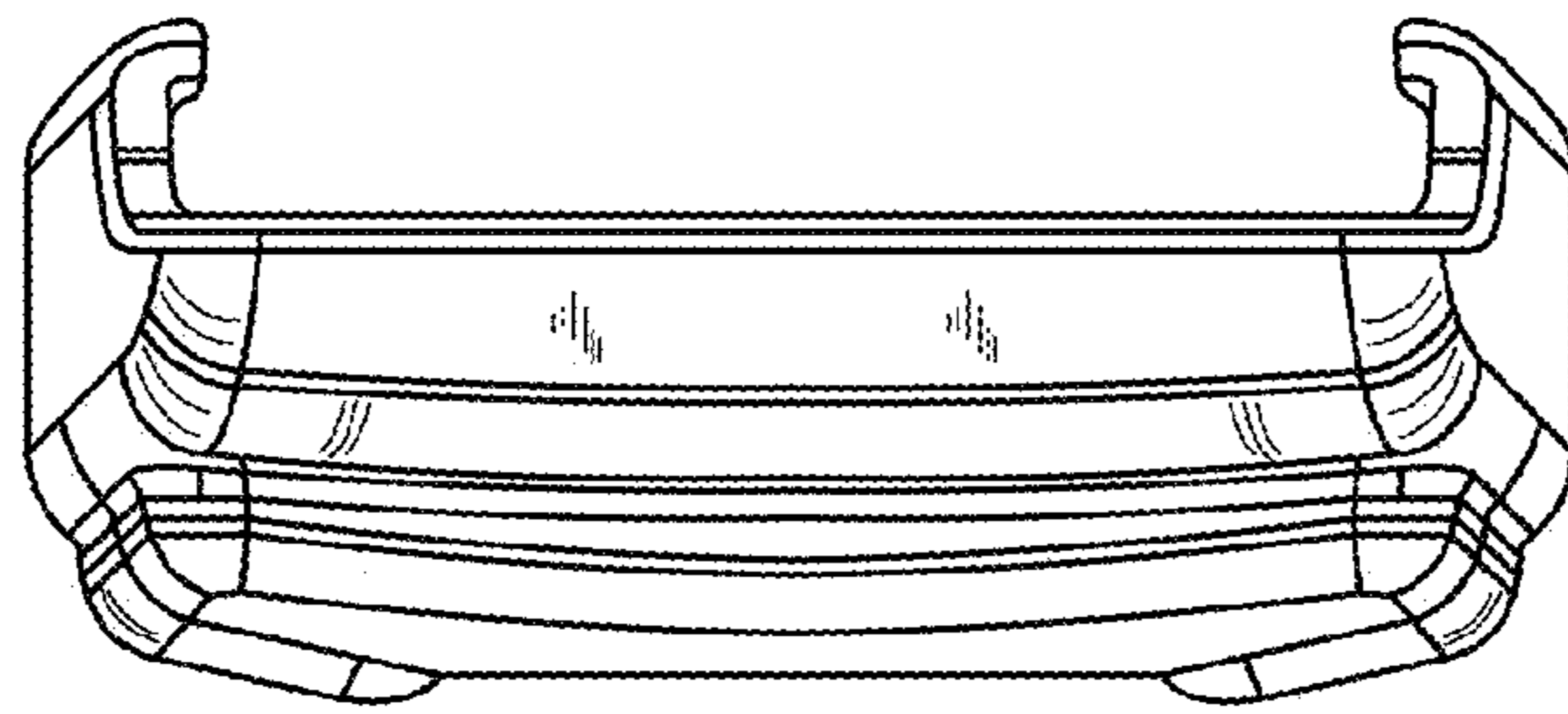


FIG. 4

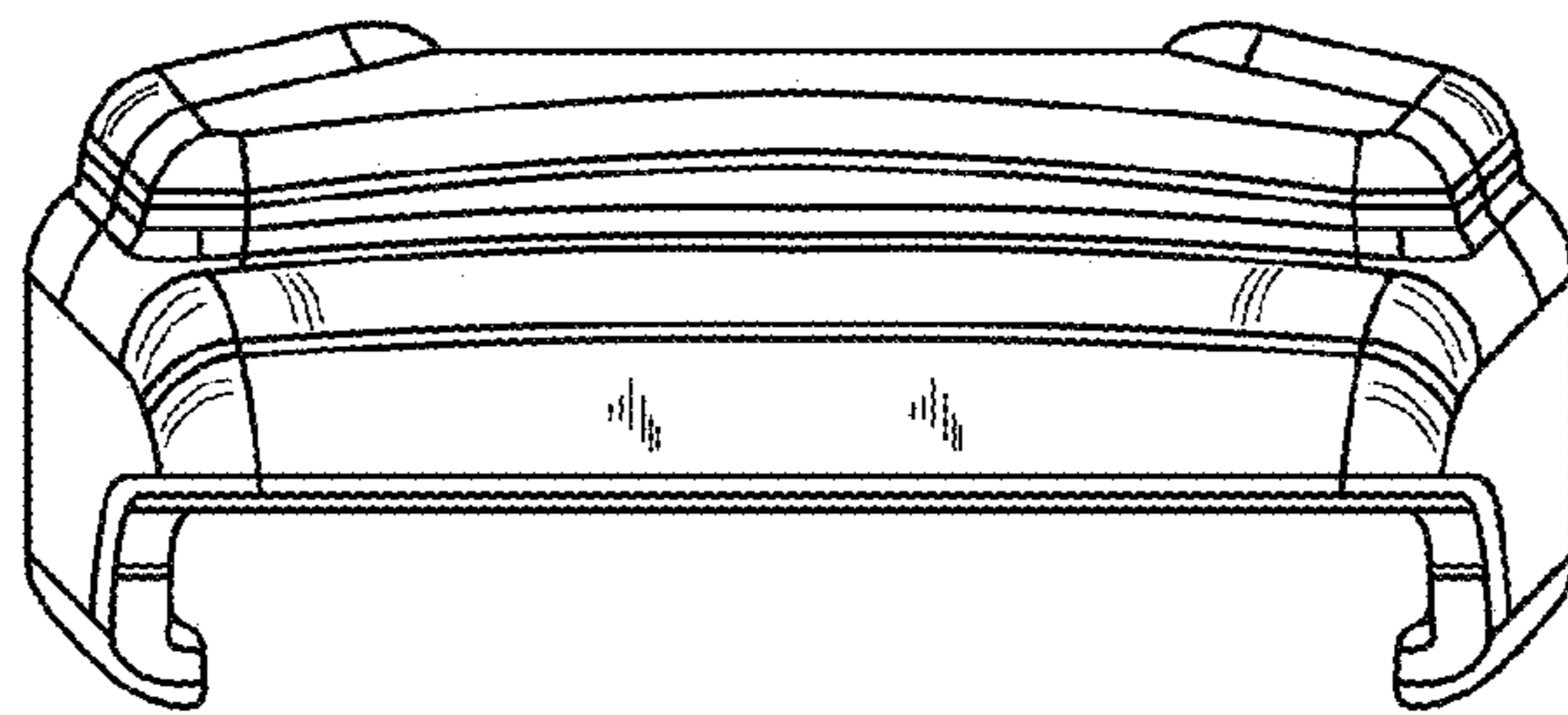


FIG. 5

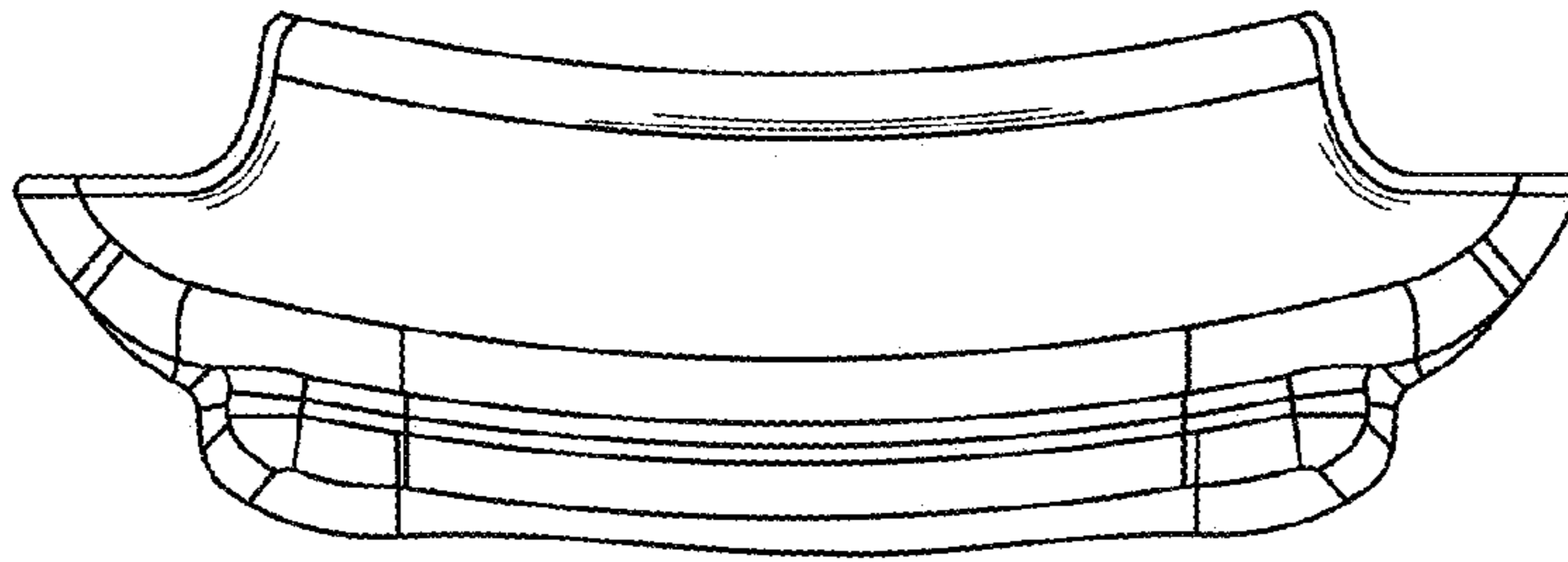


FIG. 7

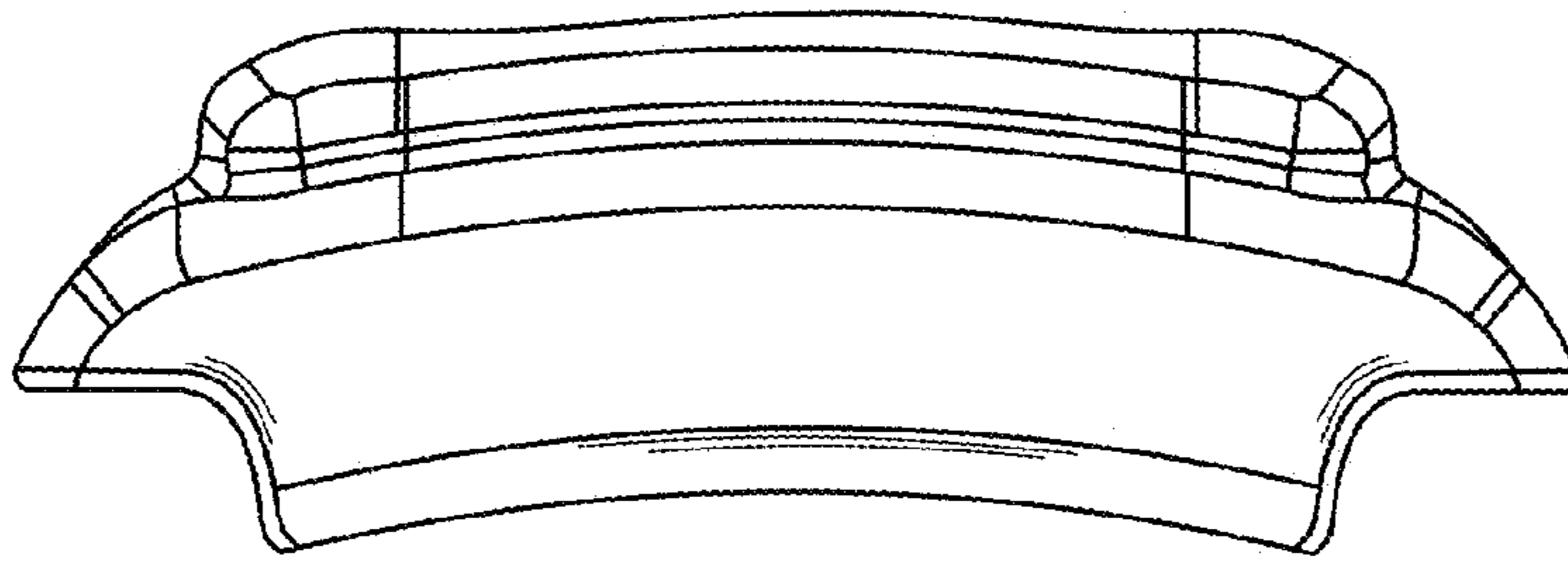


FIG. 6

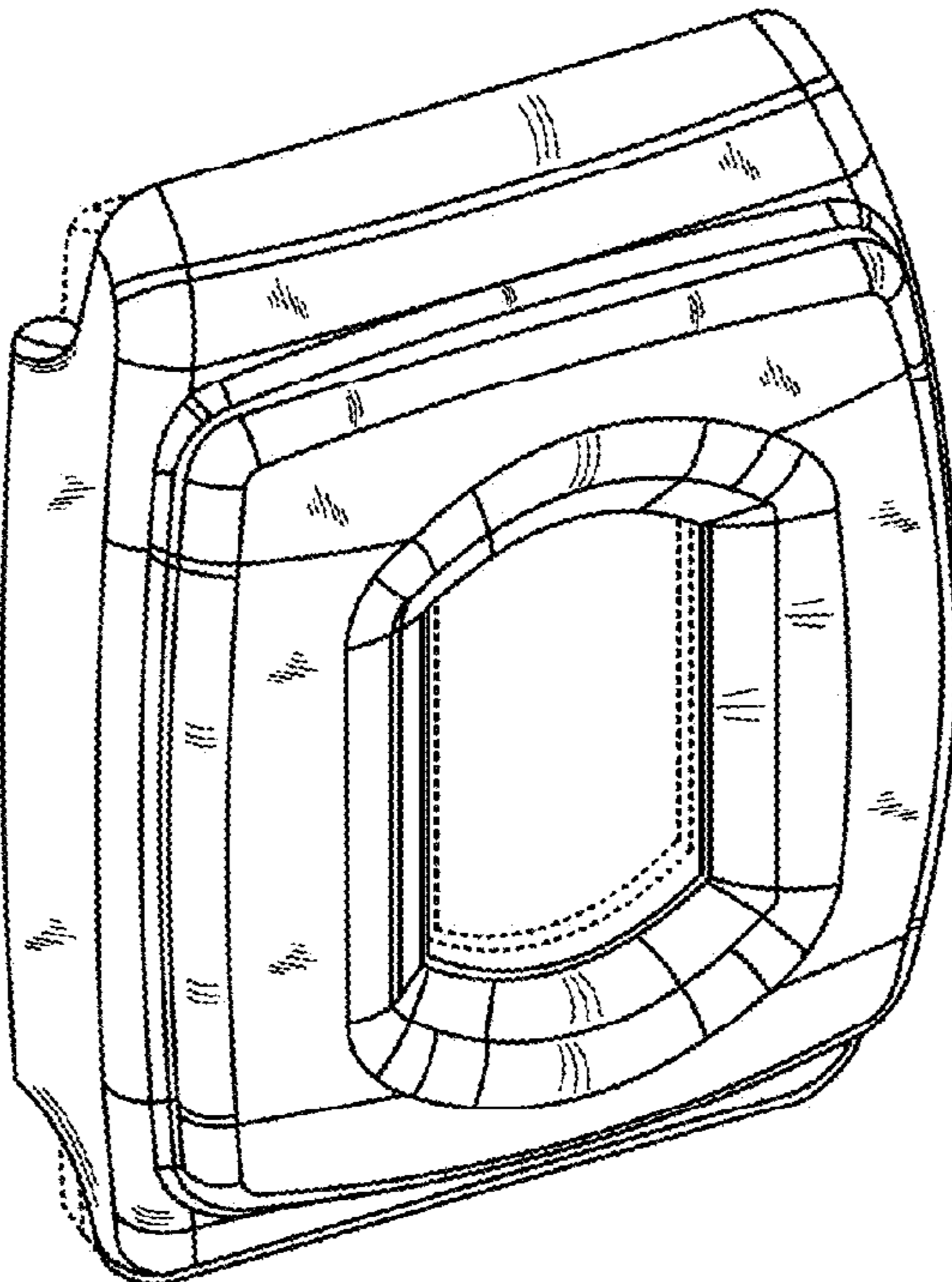


FIG. 8

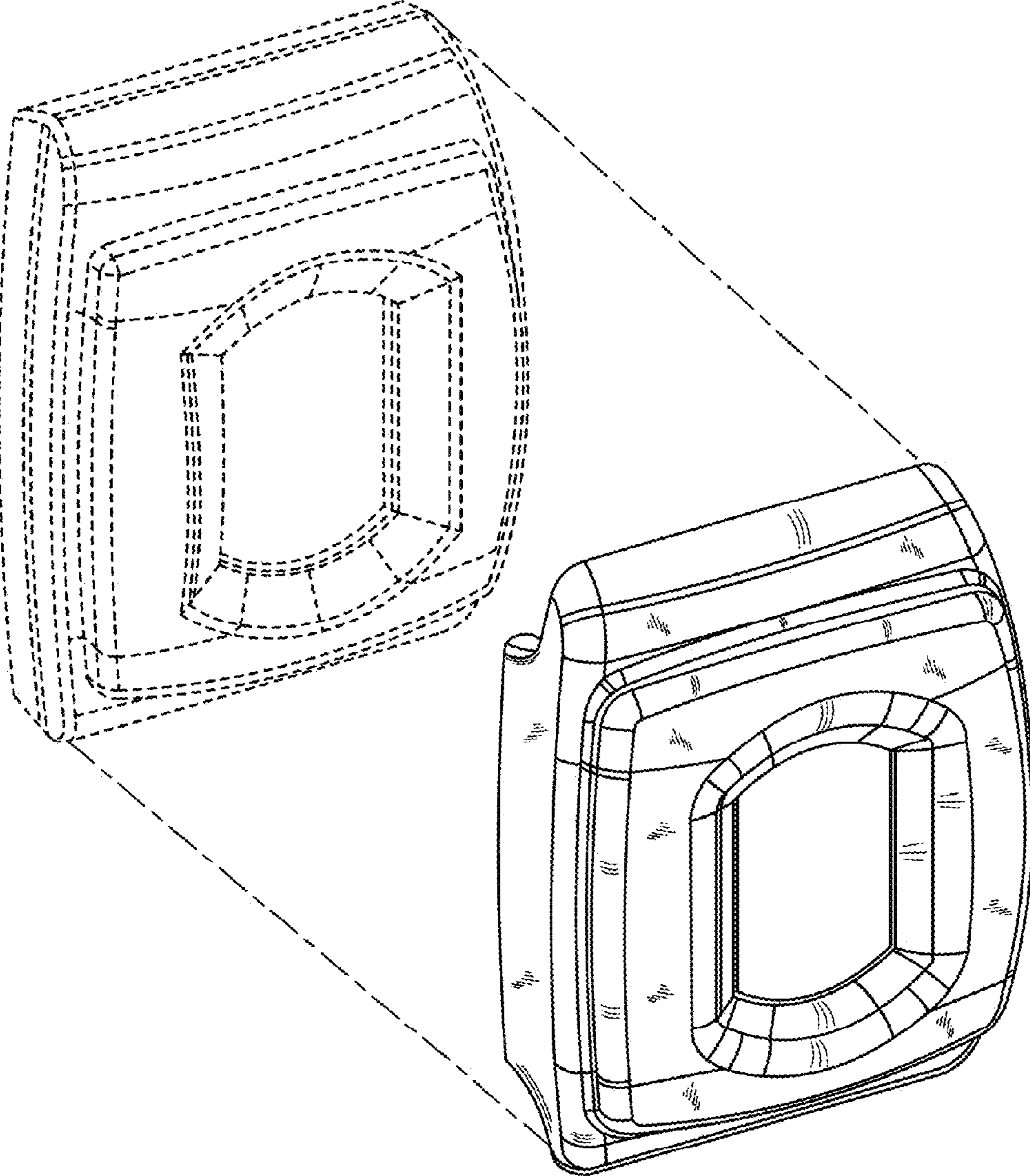


FIG. 9



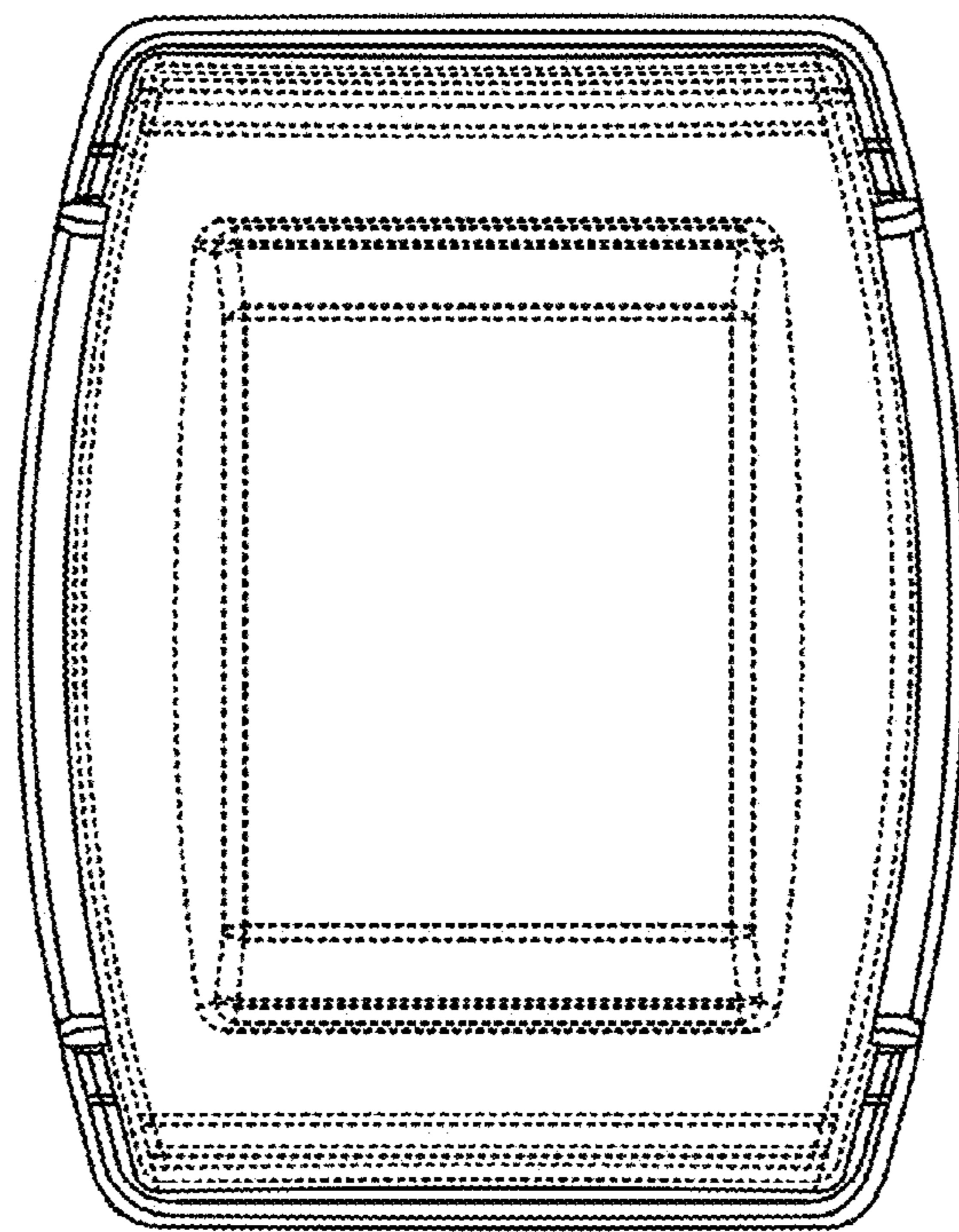


FIG. 10