



US00D742528S

(12) **United States Design Patent**
Huffman

(10) **Patent No.:** **US D742,528 S**

(45) **Date of Patent:** **** Nov. 3, 2015**

(54) **COVER FOR A MEDICAL ALERT DEVICE**

(71) Applicant: **Lauren Huffman**, West Linn, OR (US)

(72) Inventor: **Lauren Huffman**, West Linn, OR (US)

(**) Term: **14 Years**

(21) Appl. No.: **29/475,456**

(22) Filed: **Dec. 3, 2013**

(51) **LOC (10) Cl.** **24-01**

(52) **U.S. Cl.**
USPC **D24/186**

(58) **Field of Classification Search**

USPC D24/186–187, 127–128, 199, 231, 224,
D24/184, 110; 600/384, 390–393, 587;
D10/103, 104.2, 122, 46, 104.1, 81;
D14/191, 455, 250, 339, 341, 113;
D9/435; D13/177, 152; 119/859;
D29/121; D16/219; 455/100; D11/79,
D11/80; 34/176; 206/38.1, 37; 368/10
CPC A61B 5/0404; A61B 5/6831; A61B
5/04087; A61B 5/04085; A61B 8/06; A01K
27/009; H04B 1/0343; F26B 17/16; G04C
23/00; G04C 23/16

See application file for complete search history.

(56) **References Cited**

U.S. PATENT DOCUMENTS

4,491,970 A * 1/1985 LaWhite et al. 455/100
D340,005 S * 10/1993 Butler, Jr. D11/79
D341,333 S * 11/1993 Prout D11/80
5,450,064 A * 9/1995 Williams et al. 341/176
D381,922 S * 8/1997 Casperson D10/104.2
D414,861 S * 10/1999 Metzger D24/110
D432,939 S * 10/2000 Hooglander D11/80
6,351,903 B1 * 3/2002 Tuomi 206/38.1
6,419,158 B2 * 7/2002 Hooglander 206/37
D465,486 S * 11/2002 Lee D14/341

D484,069 S * 12/2003 Robinson D11/80
6,934,220 B1 * 8/2005 Cruitt et al. 368/10
D518,643 S * 4/2006 Kling D4/113
D554,616 S * 11/2007 Pierce D14/191
D559,138 S * 1/2008 Cothron et al. D10/104.1
D565,436 S * 4/2008 McDarby et al. D10/46
7,845,313 B1 * 12/2010 Yates et al. 119/859

(Continued)

Primary Examiner — T. Chase Nelson

Assistant Examiner — Mark Cavanna

(74) *Attorney, Agent, or Firm* — Hilde Coeckx; Apex Juris,
pllc

(57) **CLAIM**

The ornamental design for a cover for a medical alert device,
as shown and described.

DESCRIPTION

FIG. 1 is a front perspective view of a cover for a medical alert
device showing my new design.

FIG. 2 is a front view of the cover of FIG. 1.

FIG. 3 is a rear view of the cover of FIG. 1.

FIG. 4 is a right-side view of the cover of FIG. 1.

FIG. 5 is a left-side view of the cover of FIG. 1.

FIG. 6 is a top view of the cover of FIG. 1.

FIG. 7 is a bottom view of the cover of FIG. 1.

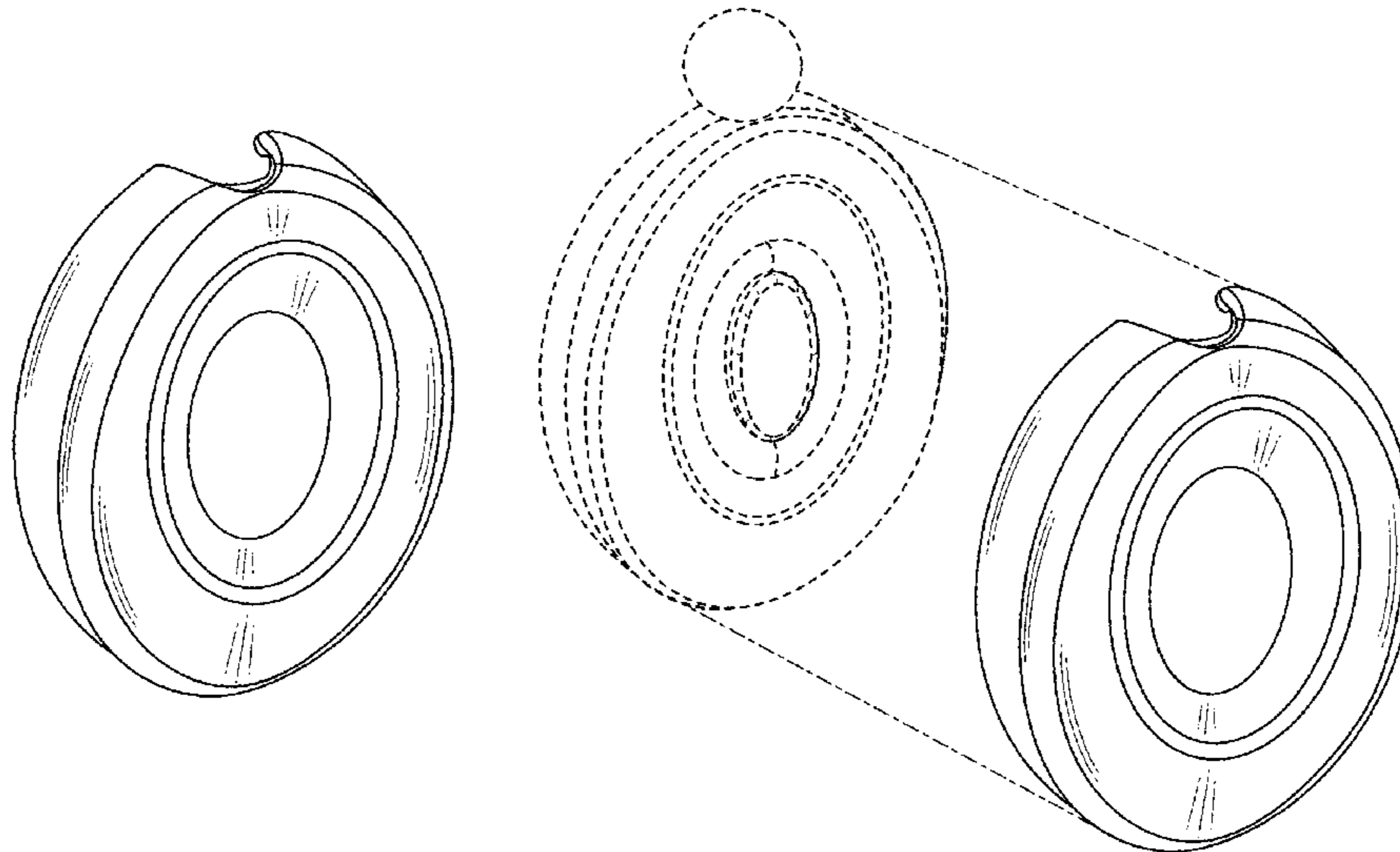
FIG. 8 is a front perspective view of the cover of FIG. 1
applied to a medical alert device.

FIG. 9 is a front perspective view of the cover and medical
alert device of FIG. 8 shown as separated; and,

FIG. 10 is a rear view of the cover and medical alert device of
FIG. 8.

The “dash/dash” style broken lines in FIGS. 8, 9, and 10
illustrate an unclaimed medical alert device. The “dash/dot”
style broken lines of FIG. 9, illustrate the relationship of the
unclaimed medical alert device to the cover for a medical alert
device. The medical alert device is unclaimed environment
and forms no part of the claimed design.

1 Claim, 4 Drawing Sheets



(56)

References Cited

U.S. PATENT DOCUMENTS

D632,802 S * 2/2011 Salinas et al. D24/224
D640,642 S * 6/2011 Ball et al. D13/177
D651,320 S * 12/2011 Forcier D24/194
D661,661 S * 6/2012 Marrero D13/152
D662,262 S * 6/2012 Jones D29/112

D664,870 S * 8/2012 Bellin et al. D10/81
D664,960 S * 8/2012 Stoops D14/455
D673,992 S * 1/2013 Kwon et al. D16/219
D681,624 S * 5/2013 Chang D14/250
D693,819 S * 11/2013 Cocquyt D14/439
D711,758 S * 8/2014 Heath et al. D10/104.1
2009/0321291 A1 12/2009 Asla

* cited by examiner

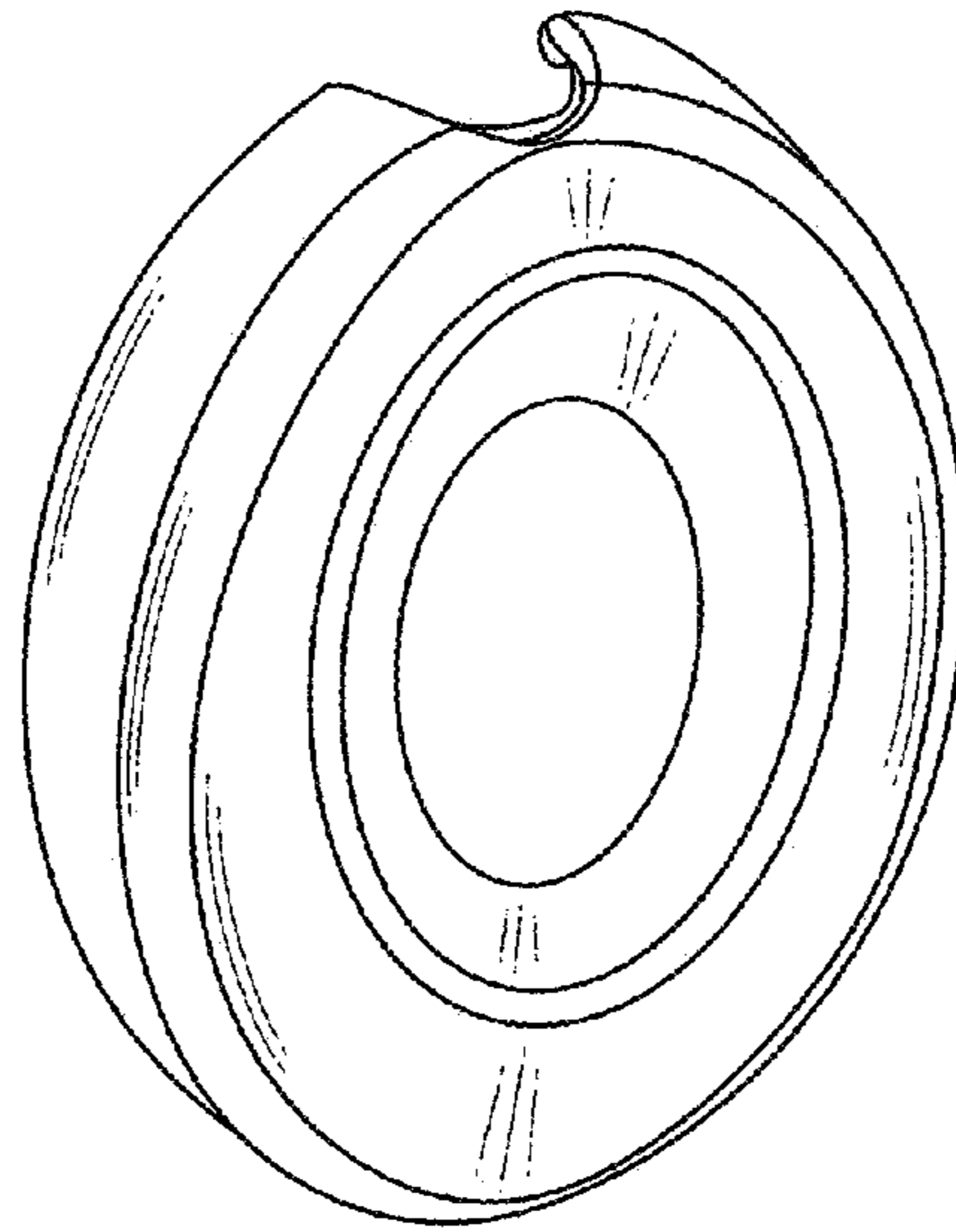


FIG. 1

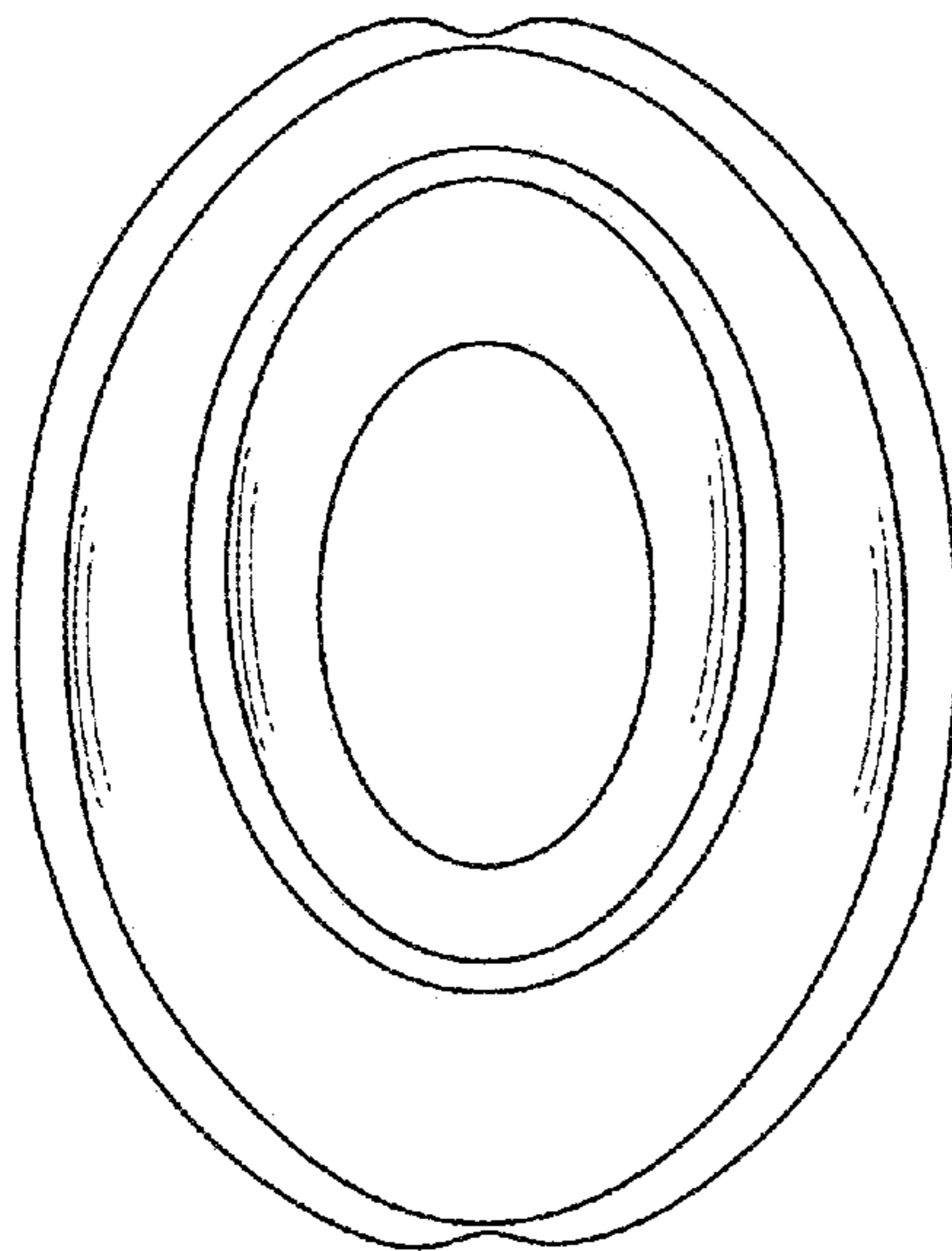


FIG. 2

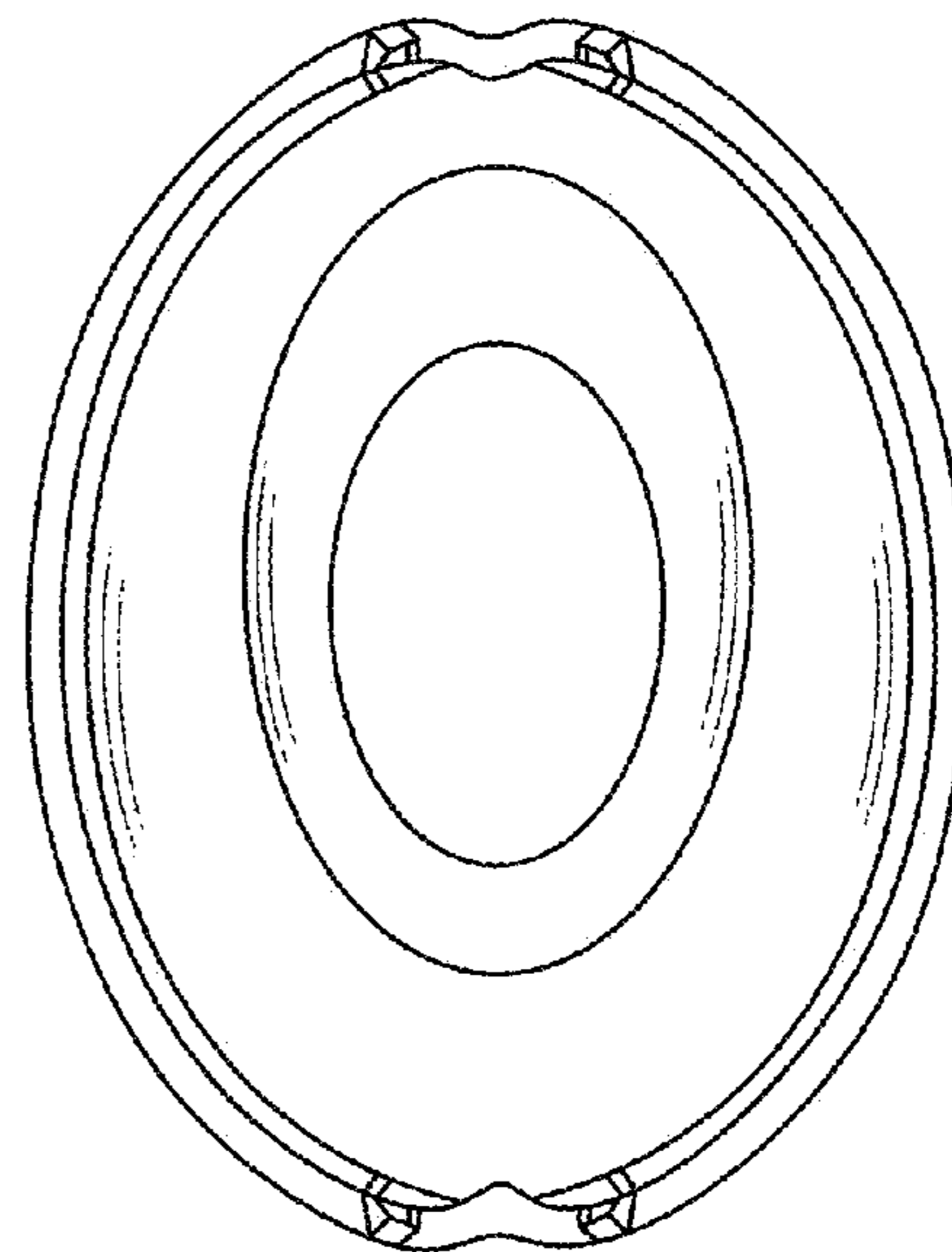


FIG. 3

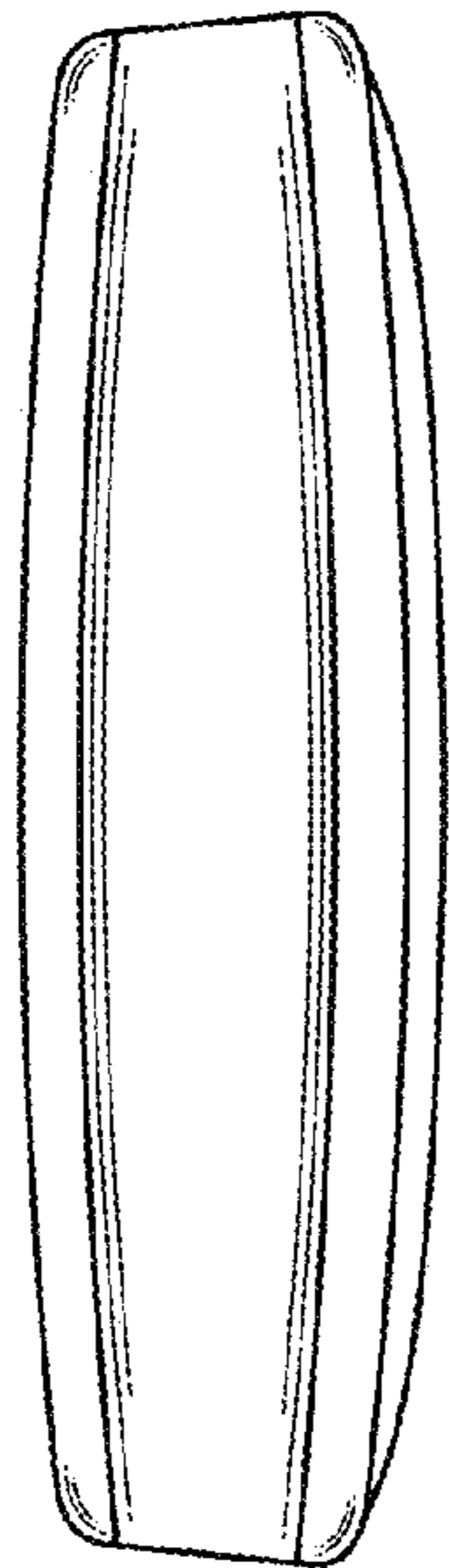


FIG. 4

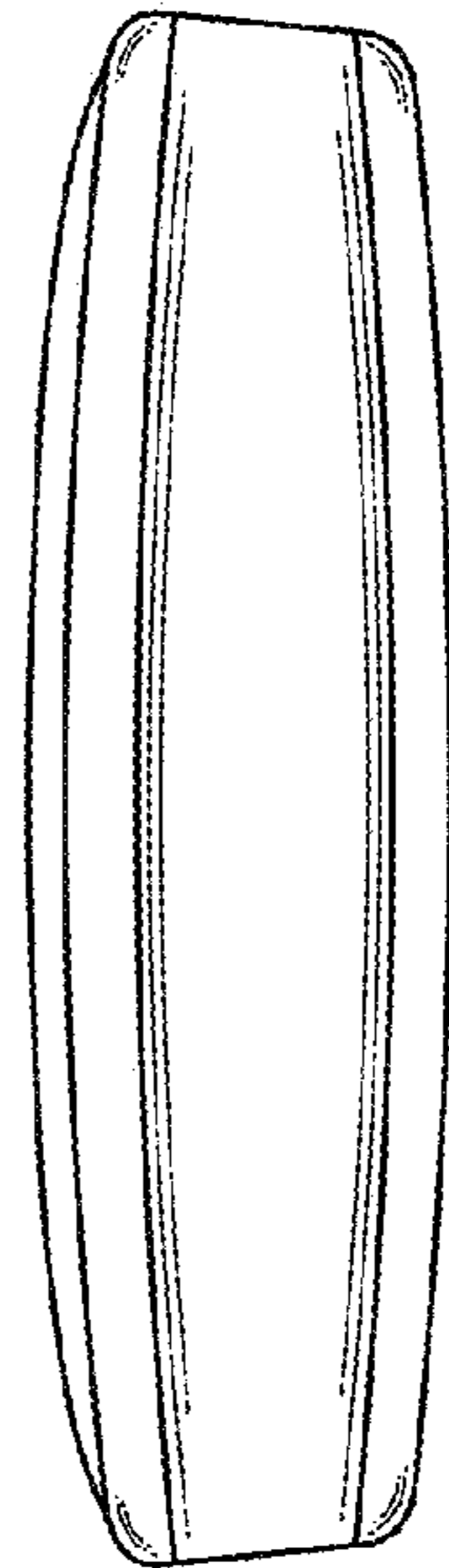


FIG. 5

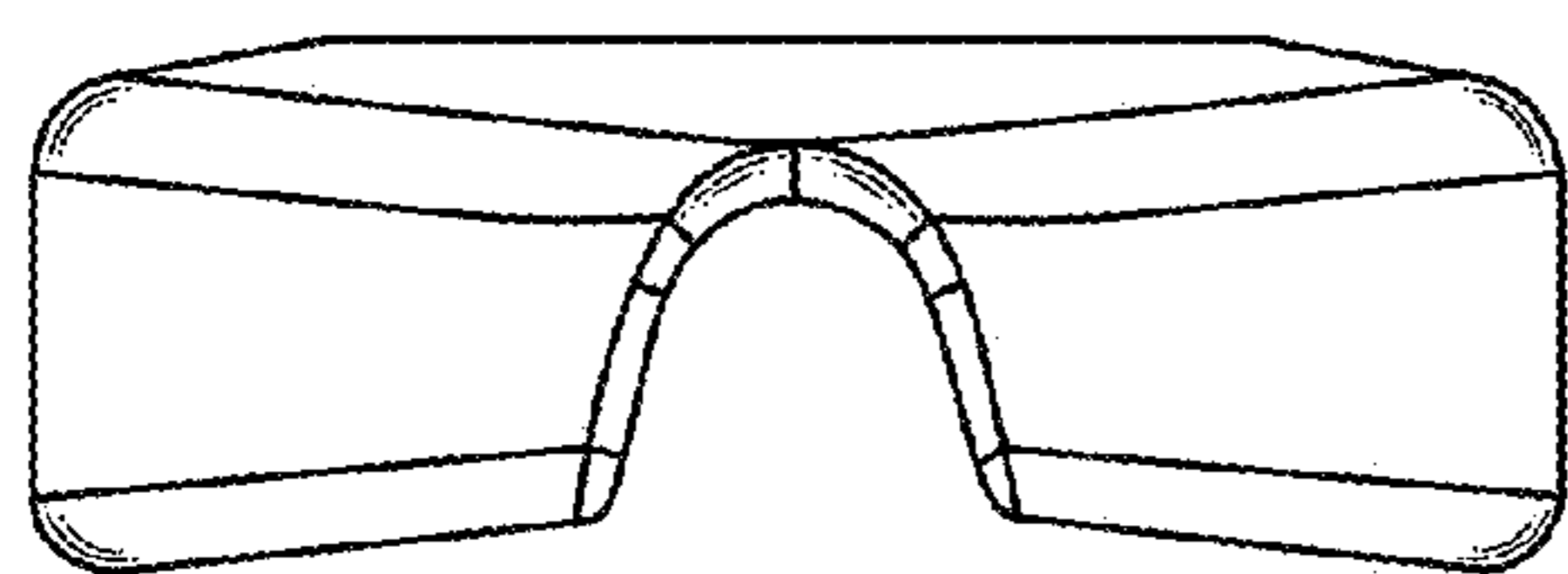


FIG. 6

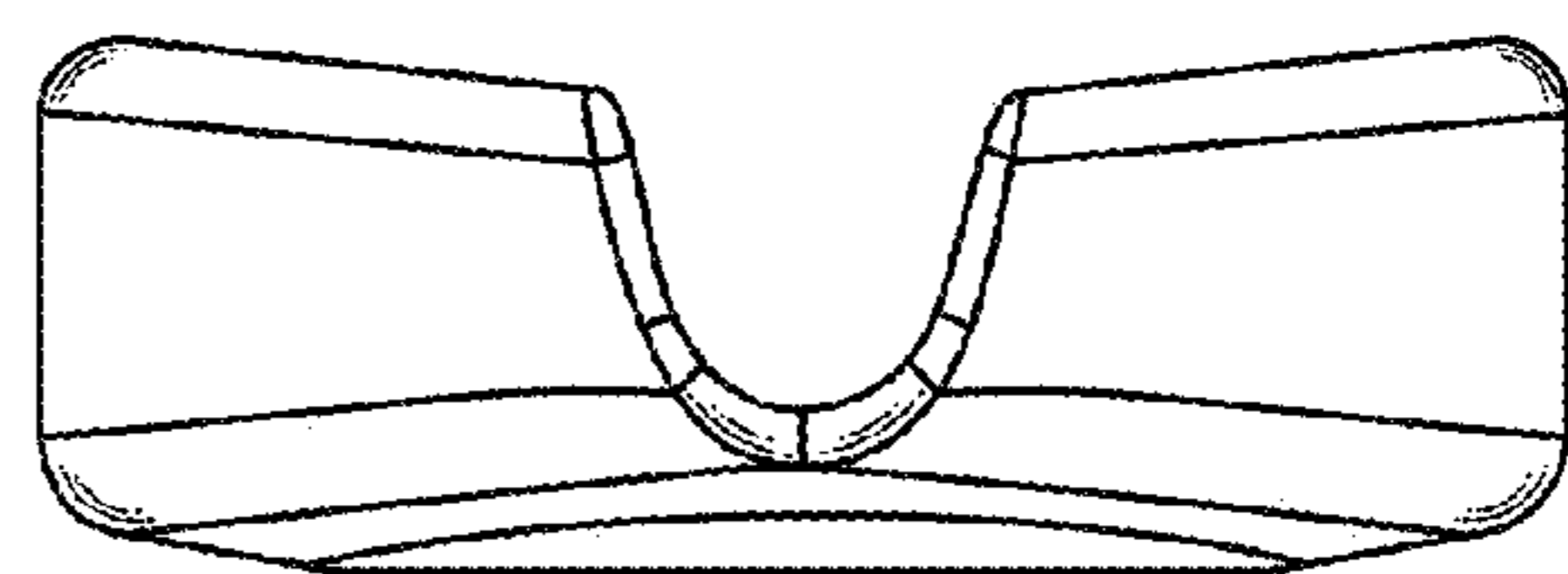


FIG. 7

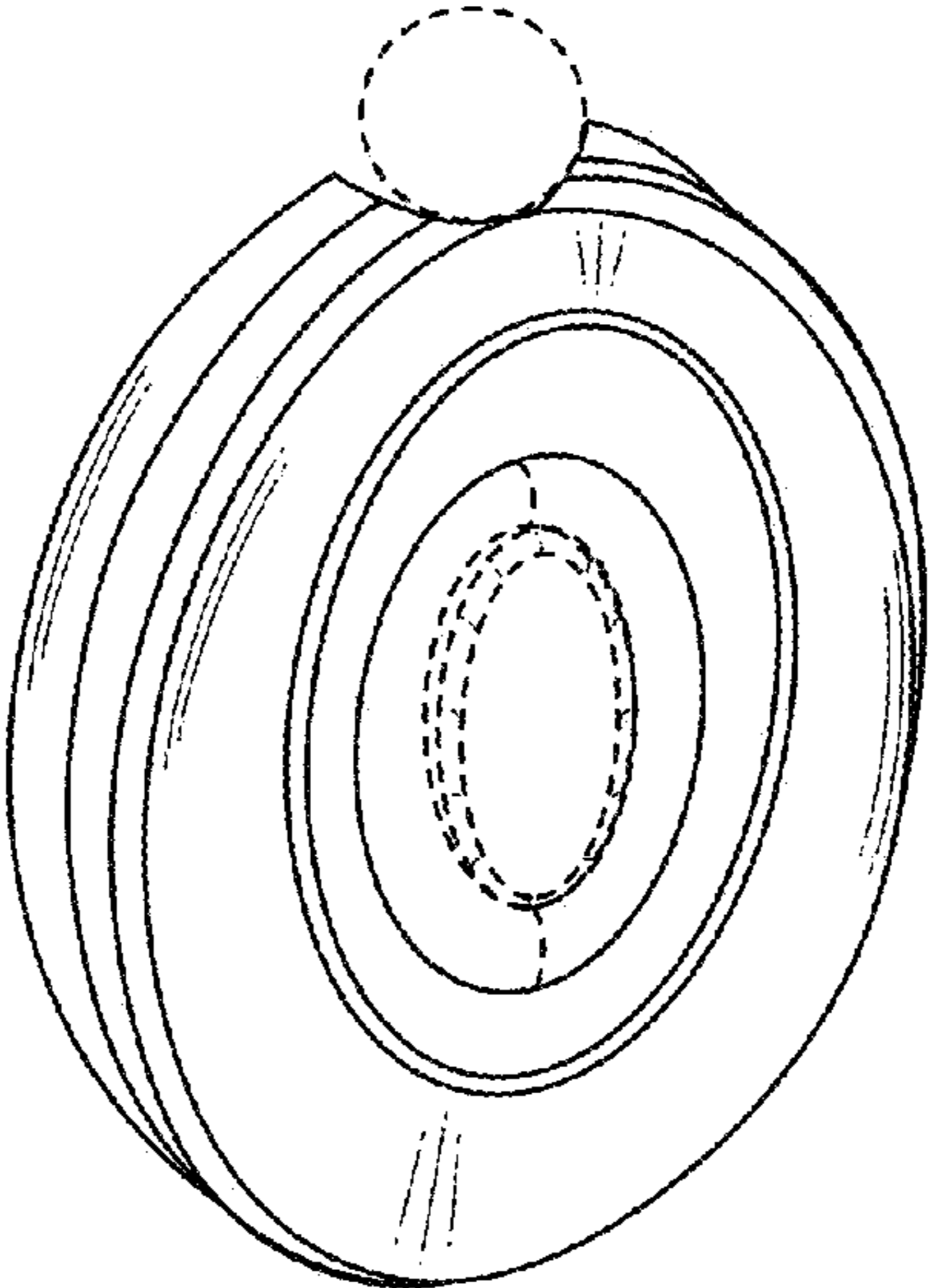


FIG. 8

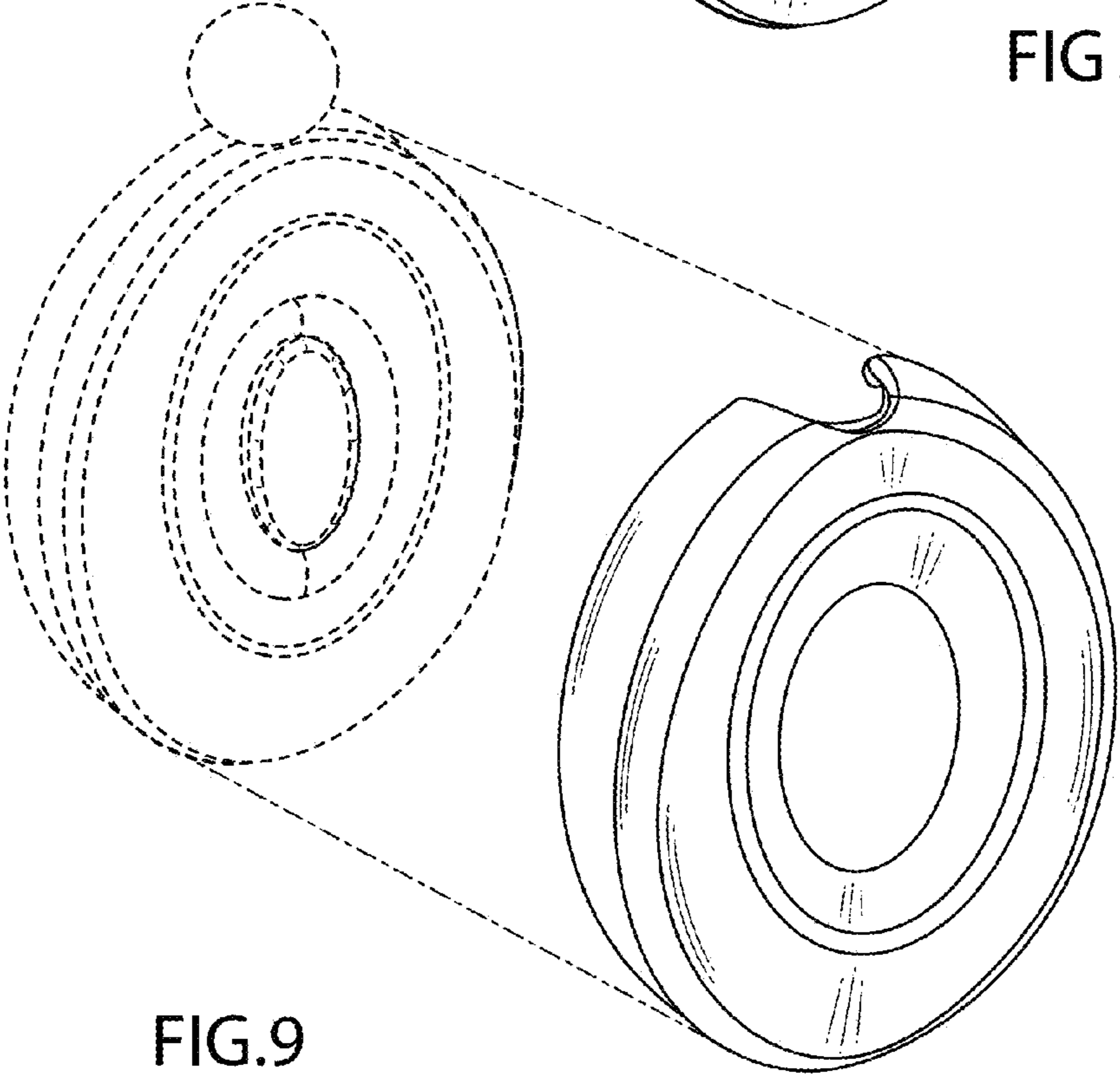


FIG. 9

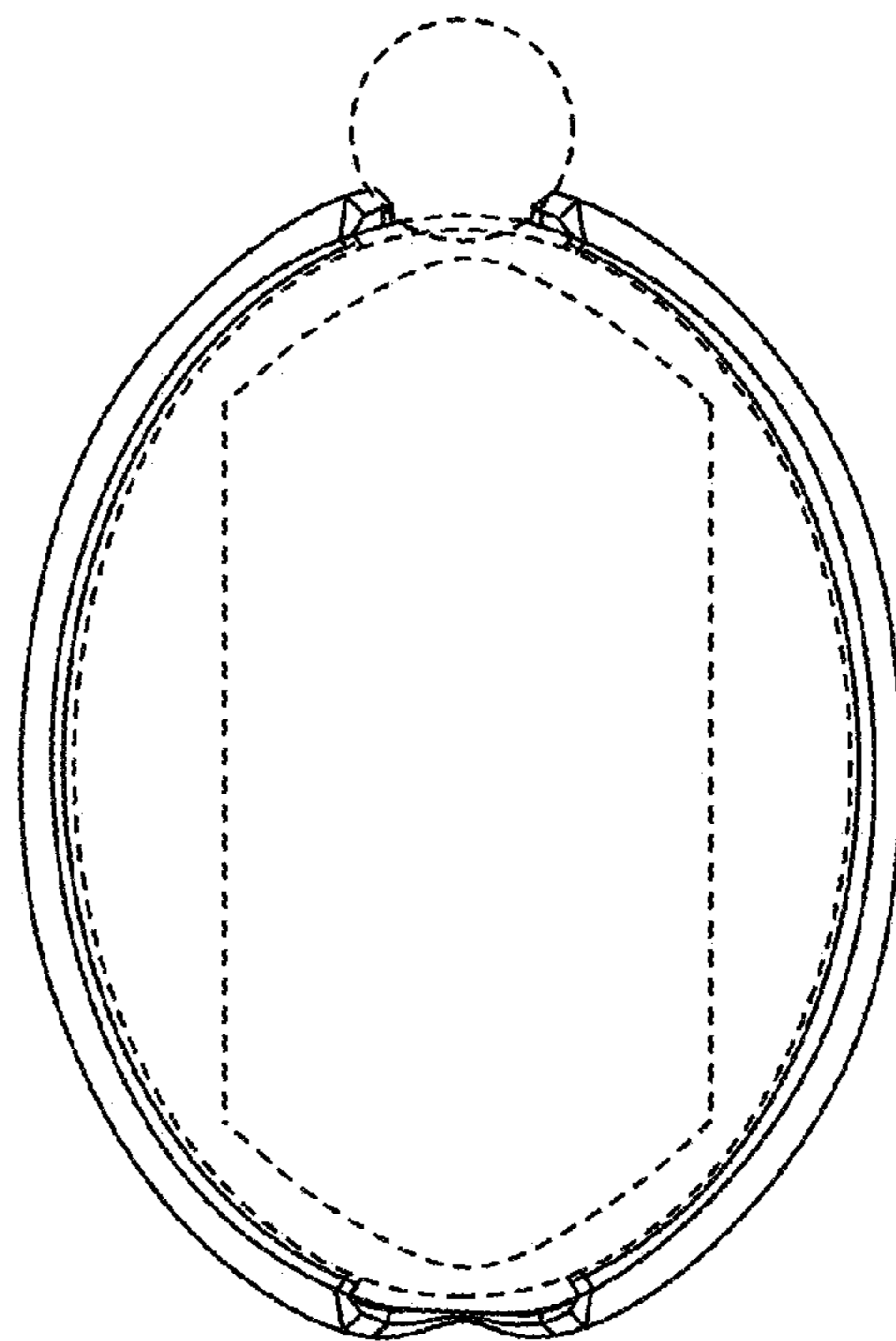


FIG. 10