



US00D742527S

(12) **United States Design Patent**
Gerber et al.

(10) **Patent No.:** **US D742,527 S**

(45) **Date of Patent:** **** Nov. 3, 2015**

(54) **SORBENT SUPPORT PANEL**

(71) Applicant: **Medtronic, Inc.**, Minneapolis, MN (US)

(72) Inventors: **Martin T. Gerber**, Maple Grove, MN (US); **David B. Lura**, Maple Grove, MN (US); **Bryant J. Pudil**, Plymouth, MN (US); **Thomas E. Meyer**, Stillwater, MN (US); **Brian Mullins**, Minneapolis, MN (US)

(73) Assignee: **Medtronic, Inc.**, Minneapolis, MN (US)

(**) Term: **14 Years**

(21) Appl. No.: **29/506,361**

(22) Filed: **Oct. 15, 2014**

Related U.S. Application Data

(63) Continuation-in-part of application No. 13/757,693, filed on Feb. 1, 2013, and a continuation-in-part of application No. 13/757,709, filed on Feb. 1, 2013, and a continuation-in-part of application No. 13/757,717, filed on Feb. 1, 2013, and a continuation-in-part of application No. 13/757,722, filed on Feb. 1, 2013, and a continuation-in-part of application No. 13/757,728, filed on Feb. 1, 2013.

(51) **LOC (10) Cl.** **24-00**

(52) **U.S. Cl.**
USPC **D24/185**

(58) **Field of Classification Search**
USPC D24/185, 186, 144, 160, 167-169, 172, D24/200, 158, 164; D34/12, 14; 312/22, 312/109, 209, 223.1, 286, 249.8, 249.12; 248/282.1; 600/437, 443, 459

See application file for complete search history.

(56) **References Cited**

U.S. PATENT DOCUMENTS

D86,687 S *	4/1932	Prouty	D24/185
D101,605 S *	10/1936	Anderson	D24/200
D263,573 S *	3/1982	Ingedew	D34/14
D273,717 S *	5/1984	McCombs	D24/164
D319,308 S *	8/1991	Royse et al.	D24/185
5,113,546 A *	5/1992	Parent	15/315
D332,855 S *	1/1993	Royse et al.	D34/19
5,465,841 A *	11/1995	Wilson et al.	206/366
D415,328 S *	10/1999	Uehara et al.	D34/19
D598,109 S	8/2009	Collins	
D609,350 S	2/2010	Hickey	
D613,411 S	4/2010	Collins	
D629,906 S	12/2010	Hickey	
D631,548 S	1/2011	McGill	
D637,293 S	5/2011	Hickey	
D639,930 S	6/2011	Collins	
D646,392 S	10/2011	Collins	
D650,063 S	12/2011	Collins	

(Continued)

Primary Examiner — Holly Baynham

Assistant Examiner — Rhea Shields

(74) *Attorney, Agent, or Firm* — Hahn & Voight PLLC; Roger C. Hahn; Kenneth J. Collier

(57) **CLAIM**

We claim the ornamental design for a sorbent support panel, as shown and described.

DESCRIPTION

FIG. 1 is a perspective view of a sorbent support panel according to one embodiment;

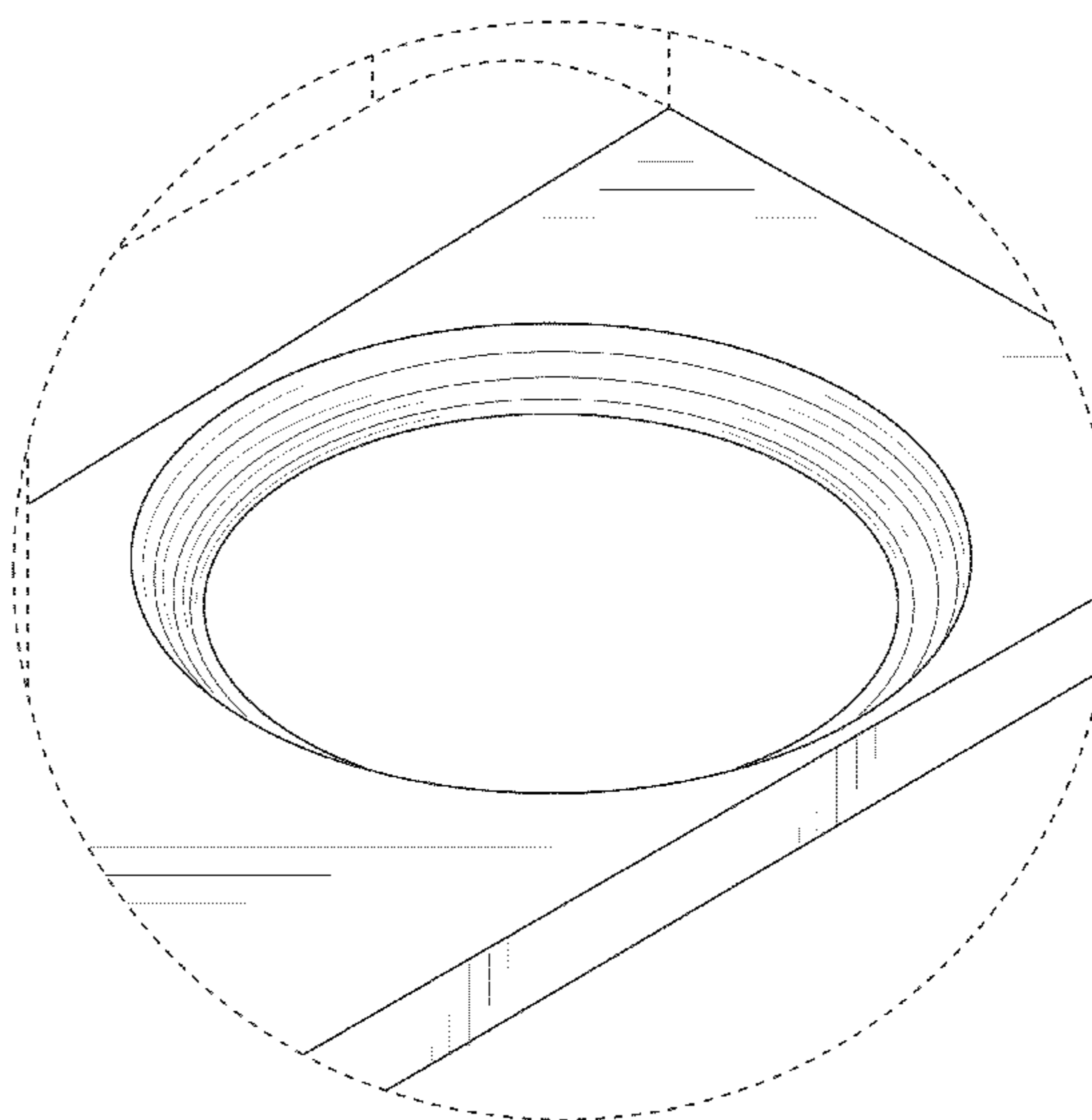
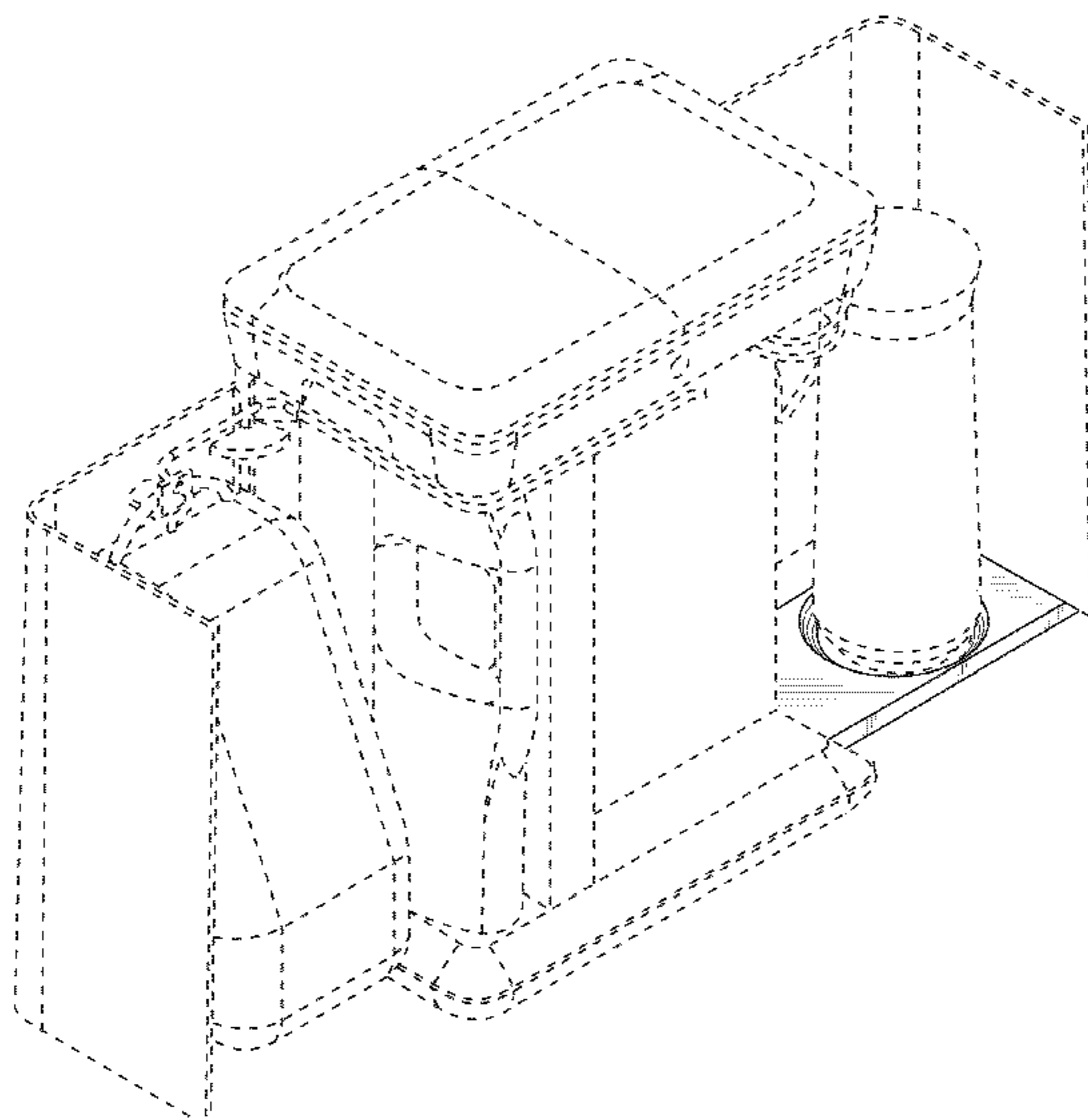
FIG. 2 is another perspective view of the sorbent support panel referenced in FIG. 1;

FIG. 3 is a top view of the sorbent support panel referenced in FIG. 1;

FIG. 4 is an enlarged view of a portion referenced in FIG. 2; and,

FIG. 5 is an enlarged view of a portion referenced in FIG. 3. In the drawings, the broken lines depict environmental subject matter only and form no part of the claimed design.

1 Claim, 5 Drawing Sheets



(56)

References Cited

U.S. PATENT DOCUMENTS

D663,844 S 7/2012 McGill
D664,255 S 7/2012 Hickey
D664,660 S 7/2012 Hickey
D675,727 S 2/2013 Collins
D705,432 S 5/2014 Lura
D711,543 S 8/2014 Gerber
D713,042 S 9/2014 Gerber
D714,455 S 9/2014 Gerber

D714,456 S 9/2014 Lura
D714,944 S 10/2014 Gerber
D714,945 S 10/2014 Gerber
D714,946 S 10/2014 Lura
D720,462 S 12/2014 Lura
2007/0138922 A1* 6/2007 Frederick et al. 312/109
2014/0216250 A1 8/2014 Meyer
2014/0217020 A1 8/2014 Meyer
2014/0217027 A1 8/2014 Meyer
2014/0217029 A1 8/2014 Meyer
2014/0217030 A1 8/2014 Meyer

* cited by examiner

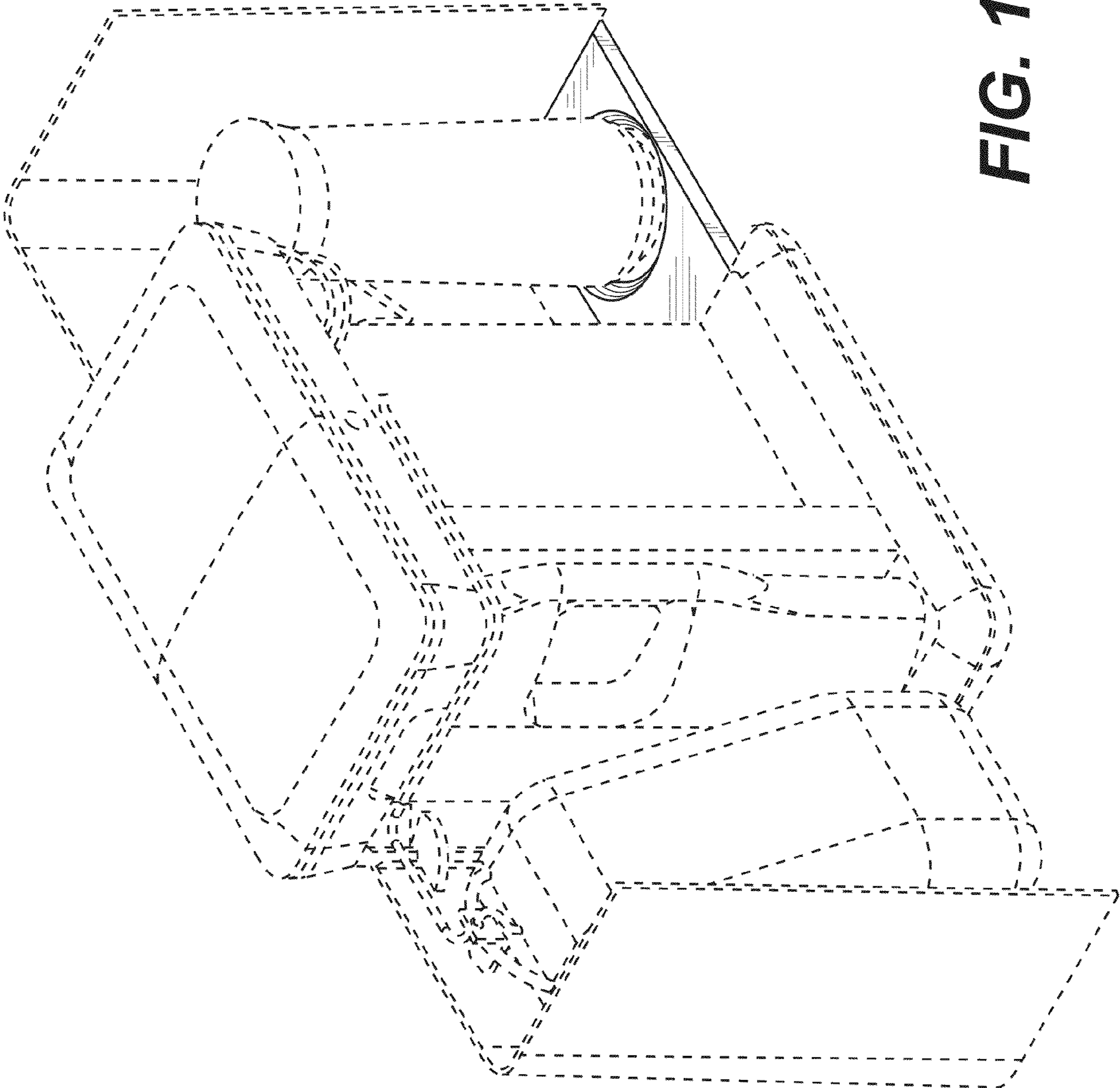


FIG. 1

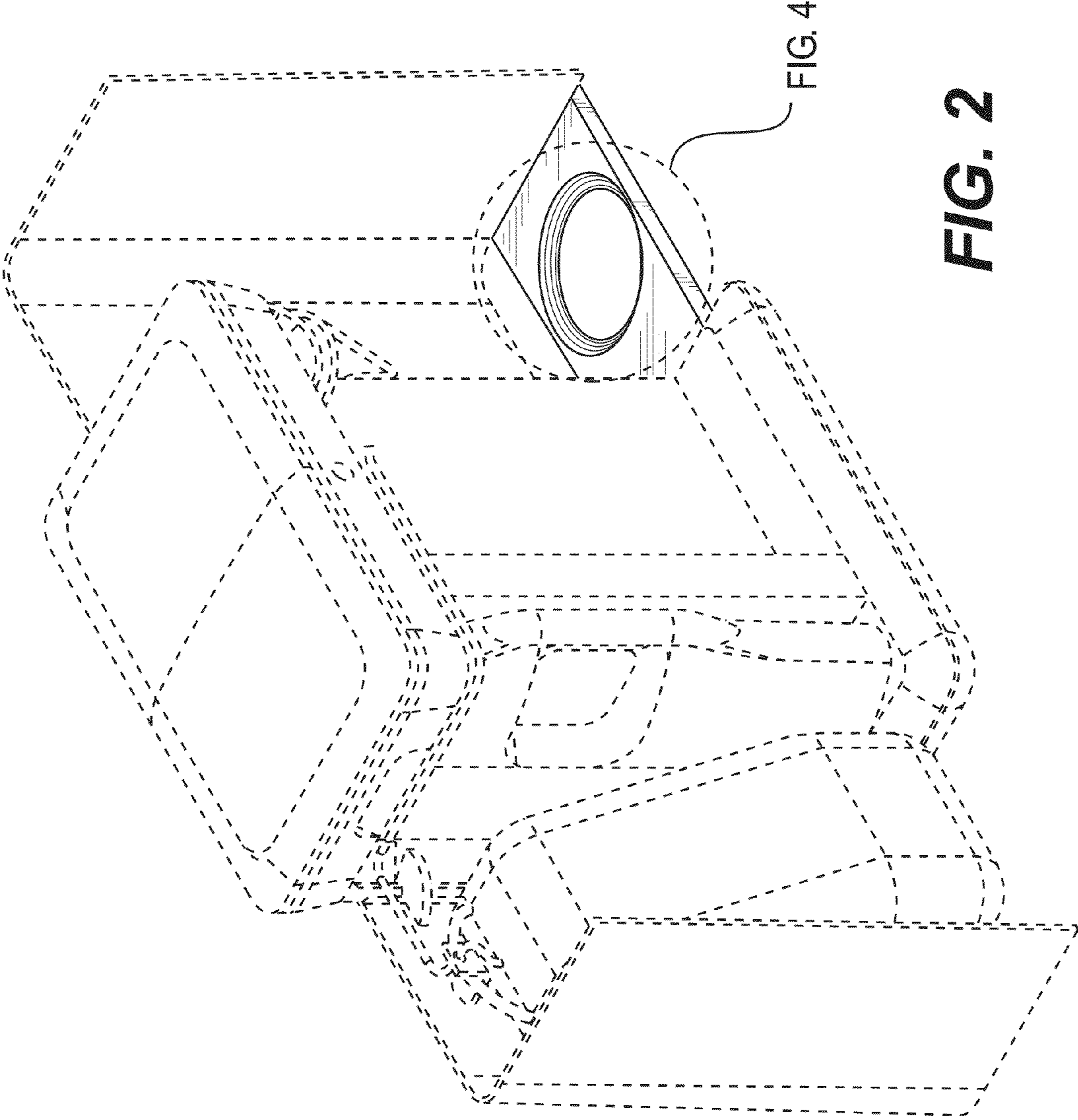


FIG. 2

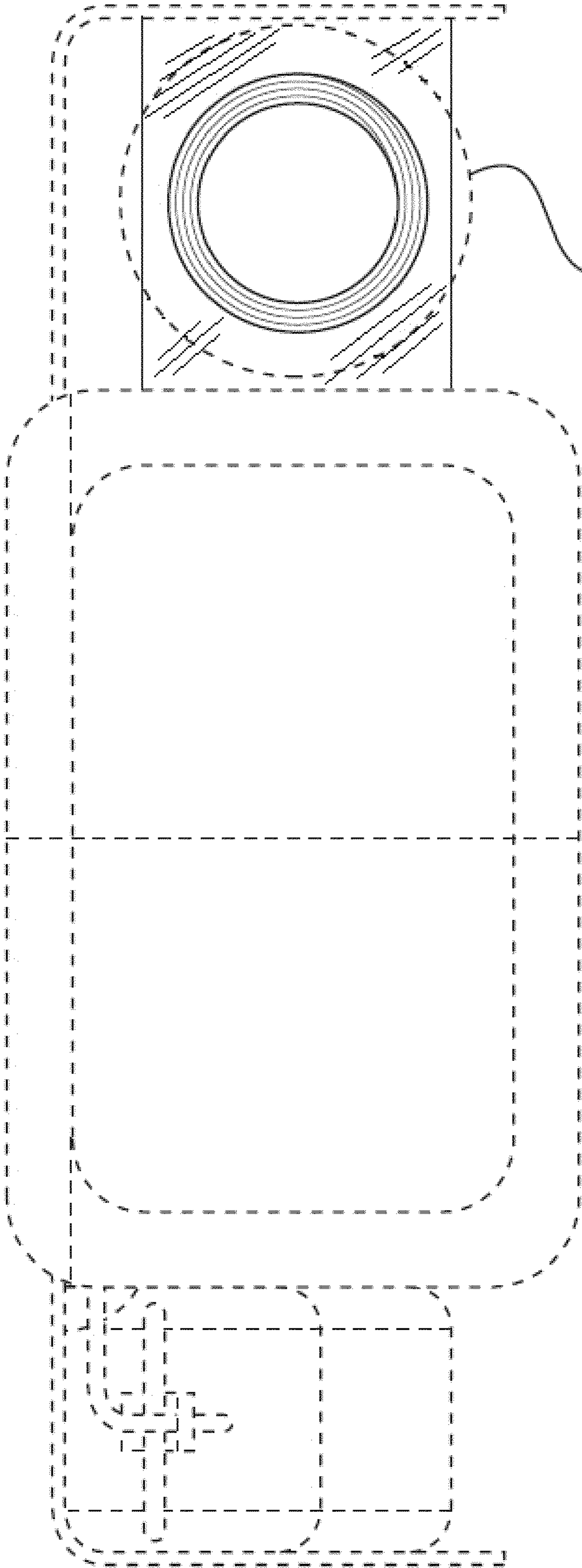


FIG. 5

FIG. 3

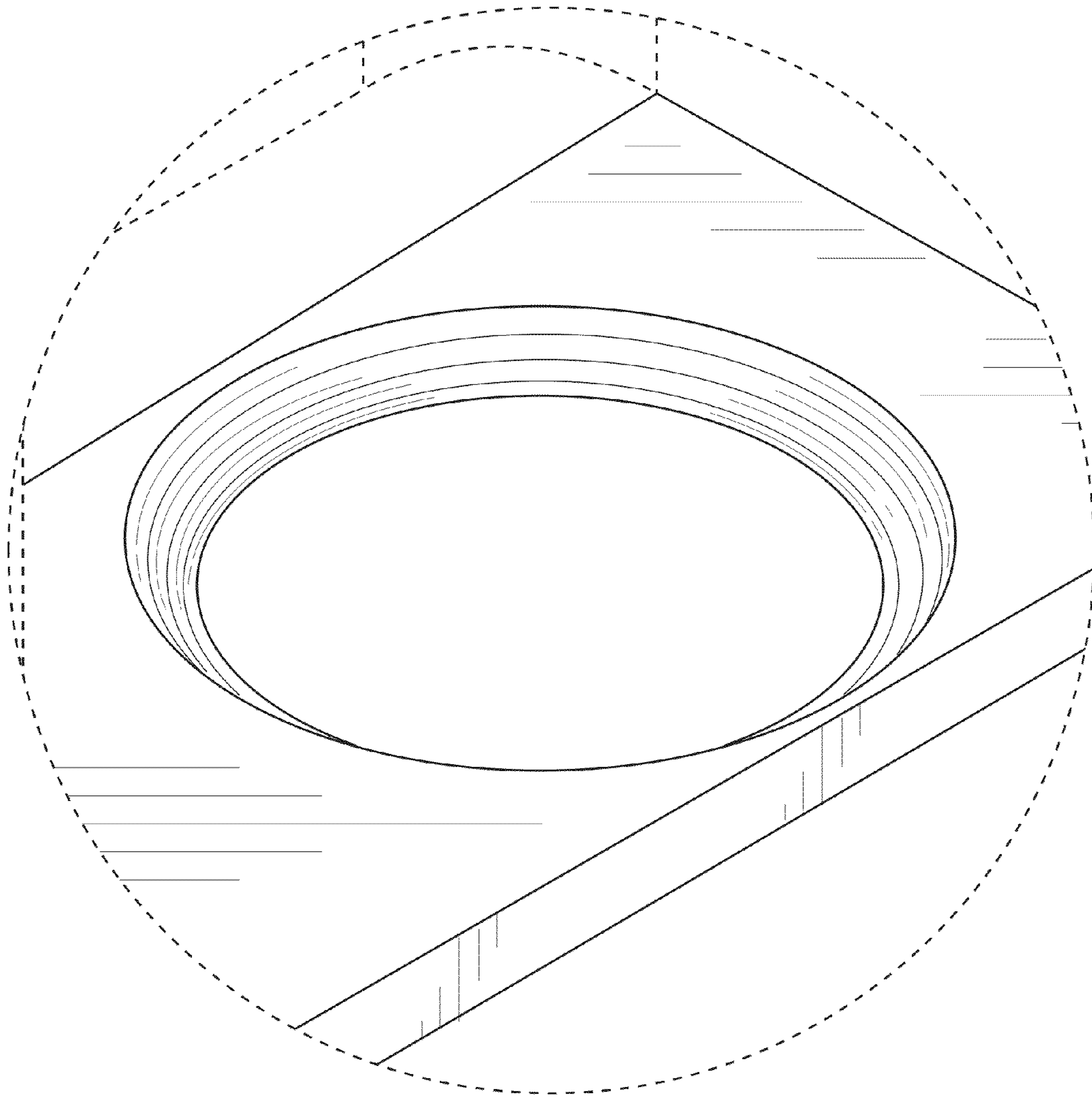


FIG. 4

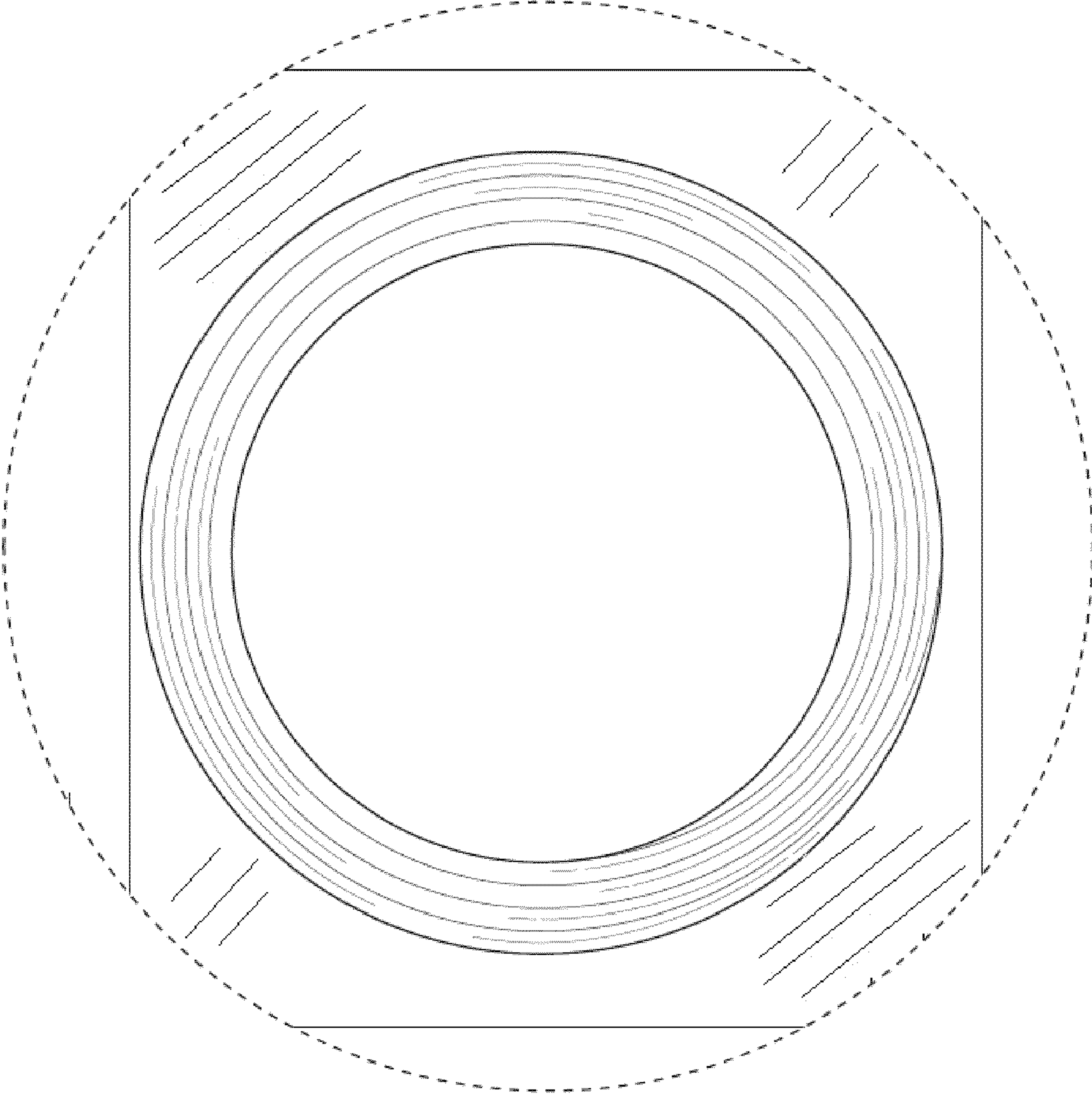


FIG. 5