



US00D742517S

(12) **United States Design Patent**
Schifano et al.

(10) **Patent No.:** **US D742,517 S**

(45) **Date of Patent:** **** Nov. 3, 2015**

(54) **SURGICAL IMPLANT**

- (71) Applicant: **Orthocision Inc.**, Folsom, CA (US)
- (72) Inventors: **Troy Schifano**, Morgantown, WV (US);
Steve Anderson, Folsom, CA (US)
- (73) Assignee: **Orthocision Inc.**, Folsom, CA (US)
- (**) Term: **14 Years**
- (21) Appl. No.: **29/522,140**
- (22) Filed: **Mar. 27, 2015**

Related U.S. Application Data

- (63) Continuation of application No. 14/668,976, filed on Mar. 25, 2015.
- (51) **LOC (10) Cl.** **24-02**
- (52) **U.S. Cl.**
USPC **D24/155**
- (58) **Field of Classification Search**
USPC D24/155
CPC A61F 2/4611; A61F 2/442; A61F 2/447;
A61F 2220/0025; A61F 2310/00023; A61F
2310/00017; A61F 2002/4475; A61F
2002/30841; A61F 2002/2835; A61F
2002/30904; A61F 2002/30785; A61F
2002/443; A61F 2002/30578
See application file for complete search history.

(56) **References Cited**

U.S. PATENT DOCUMENTS

5,534,031	A	7/1996	Matsuzaki et al.	
8,808,305	B2 *	8/2014	Kleiner	A61F 2/4465 606/105
9,017,407	B2 *	4/2015	Donner	A61F 2/30988 623/17.11
9,113,972	B2 *	8/2015	Trudeau	A61B 17/68
9,119,732	*	9/2015	Schifano	A61F 2/4611
2014/0094918	A1	4/2014	Vishnubholta et al.	

OTHER PUBLICATIONS

Orthopedic Designs North America, Inc., Description of Talon® DistalFix® Femoral Nail System, available online at www.odi-na.com.
 Signus Medizintechnik GmbH, Description of the DIANA system, available online at www.si-joint.net.
 Alphatec Spine, Inc., Description of Alphatec Solus® Anterior Lumbar Interbody Fusion, available online at http://www.alphatecspine.com/products/thoracolumbar/solus.asp.

* cited by examiner

Primary Examiner — Susan Bennett Hattan

Assistant Examiner — Charles Hanson

(74) *Attorney, Agent, or Firm* — Mark D. Miller; William K. Nelson

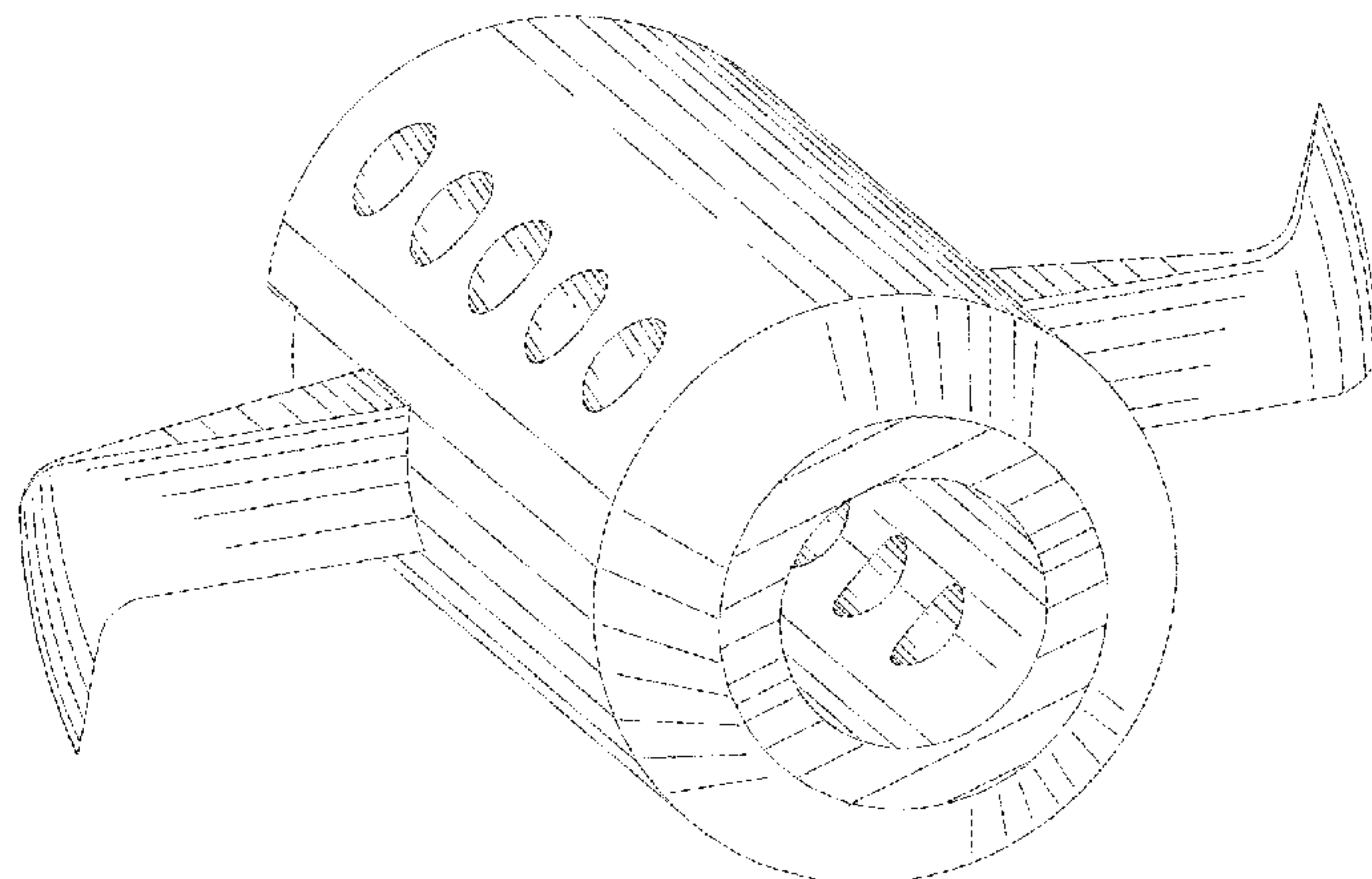
(57) **CLAIM**

We claim the ornamental design for a surgical implant, as shown and described.

DESCRIPTION

FIG. 1 is a perspective view of the front of the surgical implant;
 FIG. 2 is a perspective view of the back of the surgical implant of FIG. 1;
 FIG. 3 is a perspective view of a side of the surgical implant of FIG. 1;
 FIG. 4 is a side view of the surgical implant of FIG. 1;
 FIG. 5 is a top view of the surgical implant of FIG. 1;
 FIG. 6 is an oblique view of a first side of the surgical implant of FIG. 1;
 FIG. 7 is a back view of a second side of the surgical implant of FIG. 1; and,
 FIG. 8 is a front view of the surgical implant of FIG. 1.
 The lines on the surface portion indicate contour and not surface decoration.

1 Claim, 4 Drawing Sheets



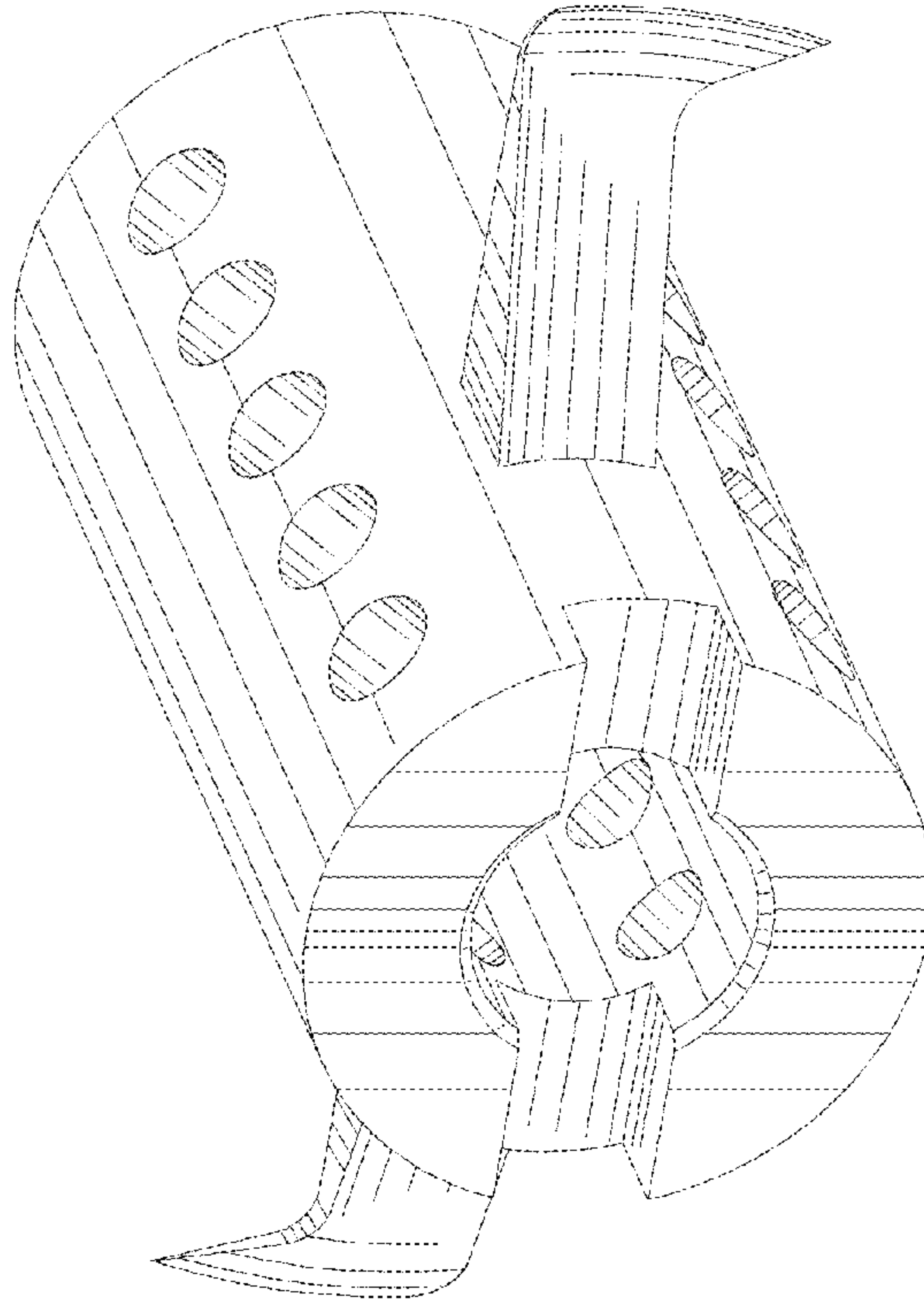


FIG. 2

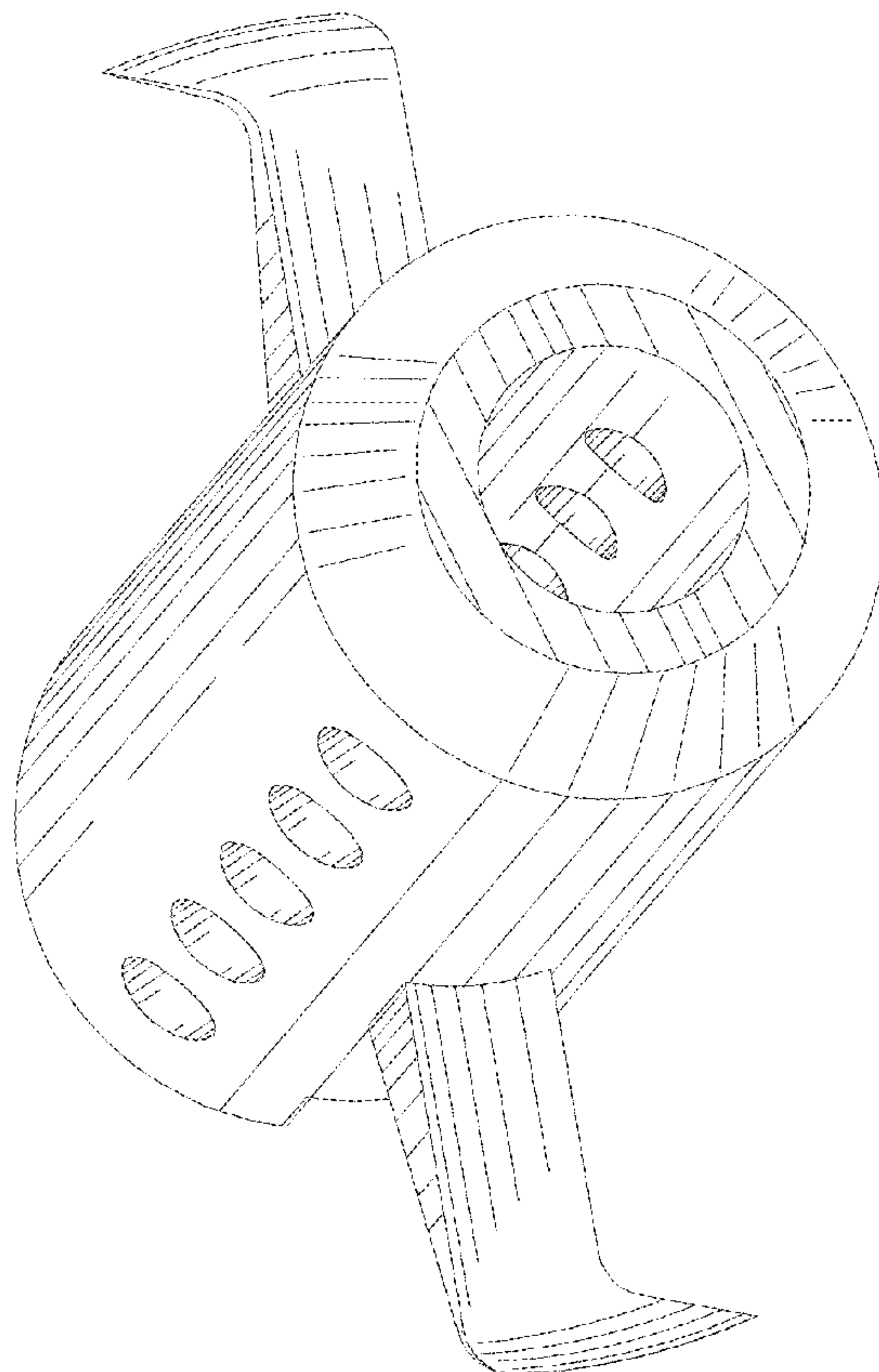


FIG. 1

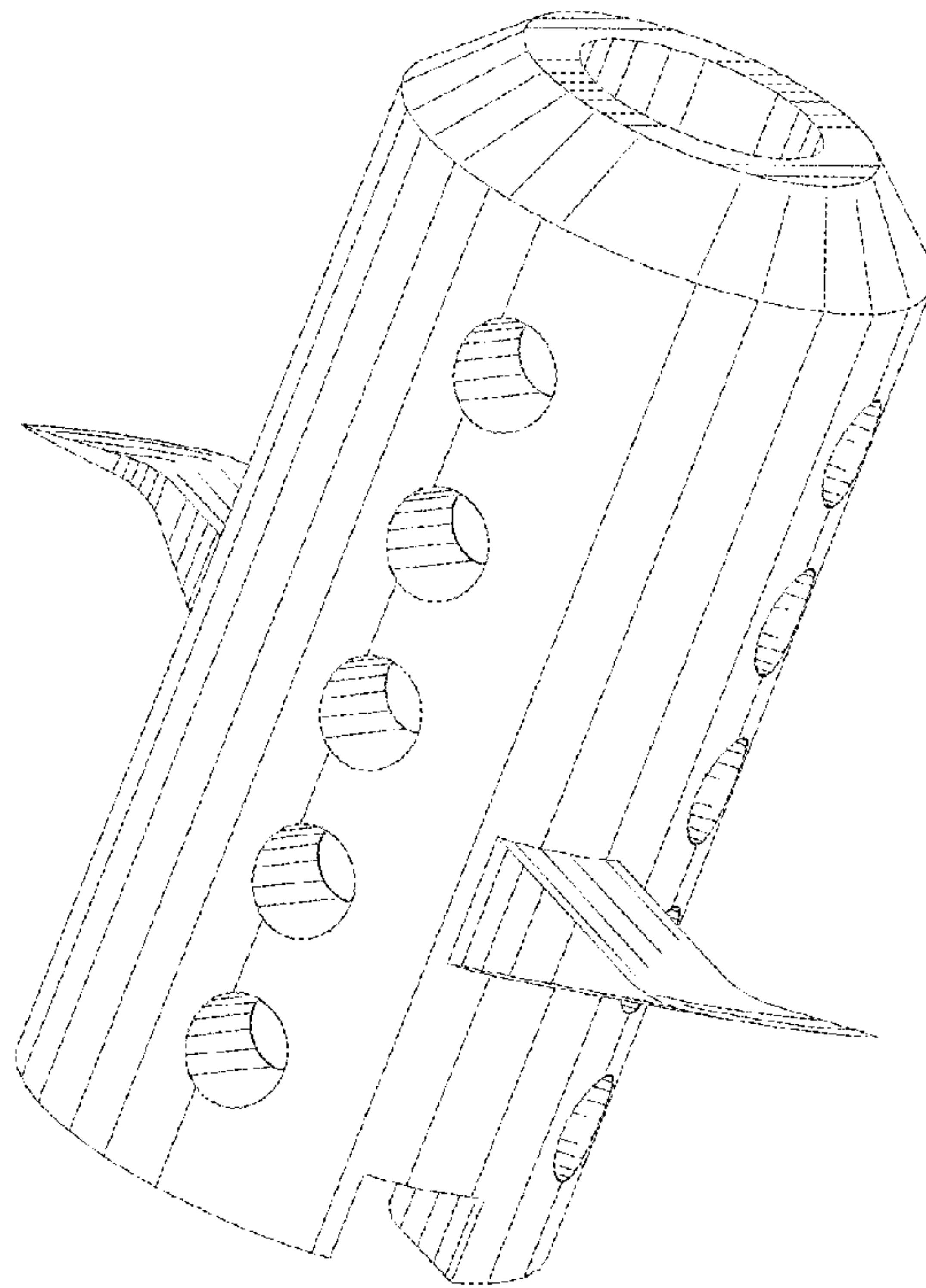


FIG. 3

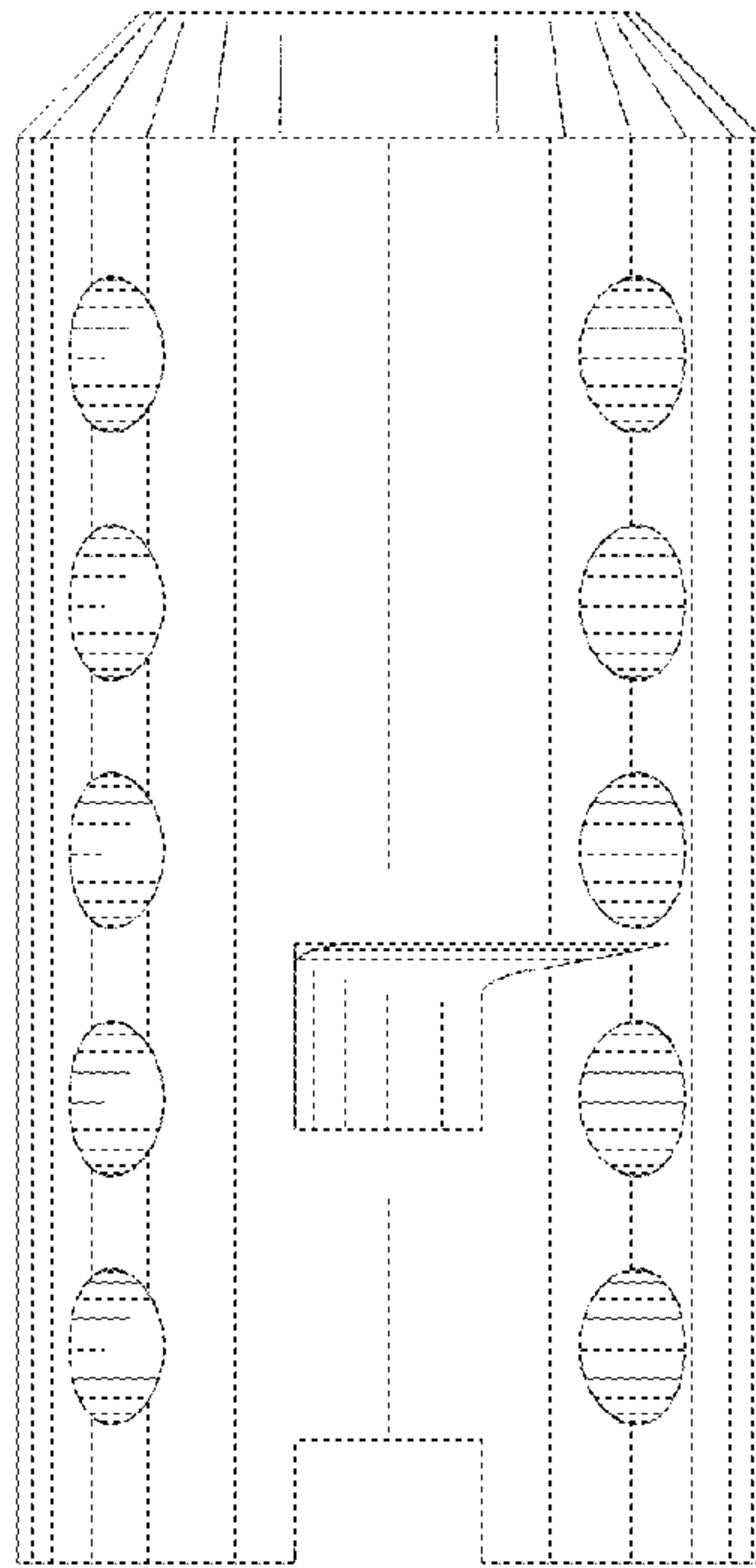


FIG. 4

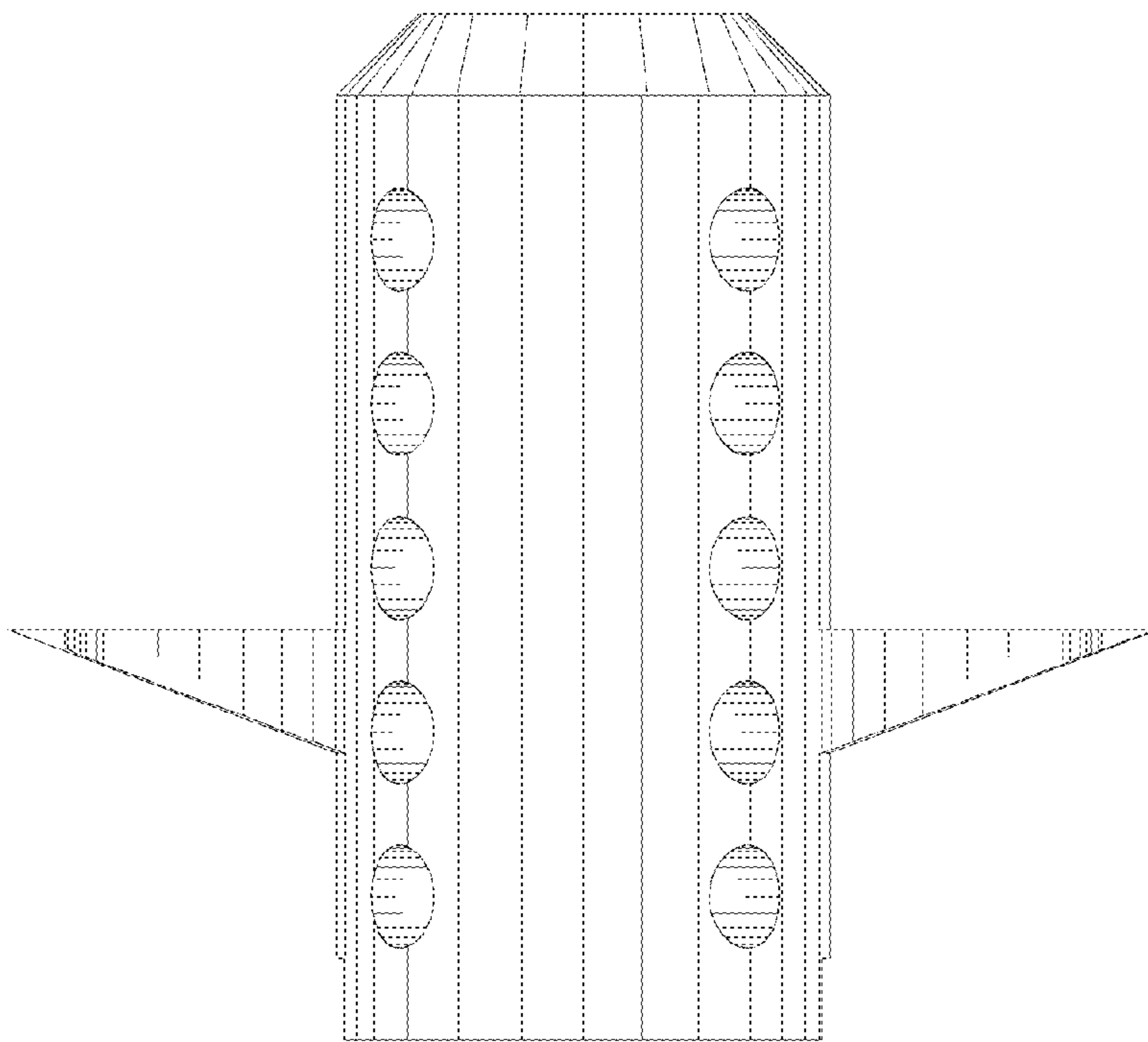


FIG. 5

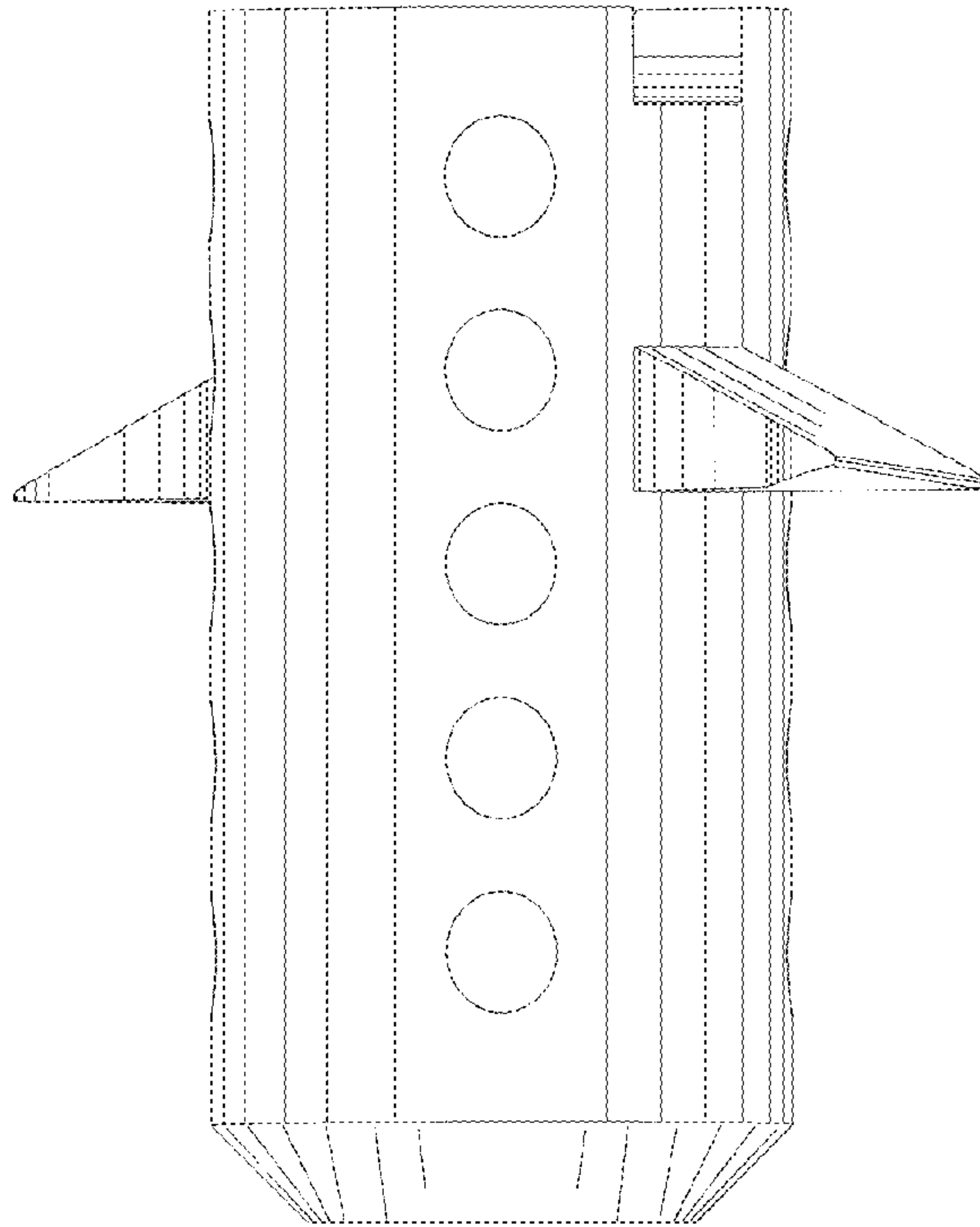


FIG. 6

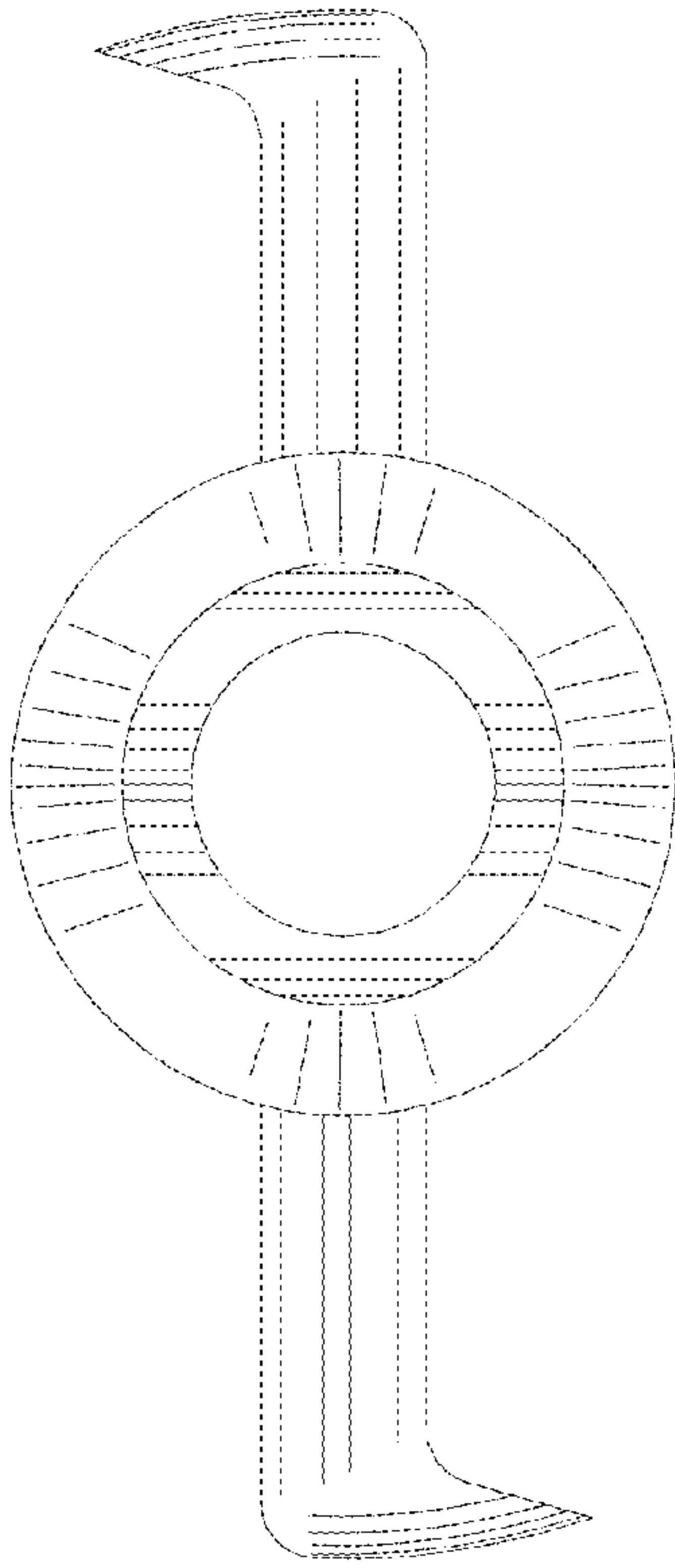


FIG. 8

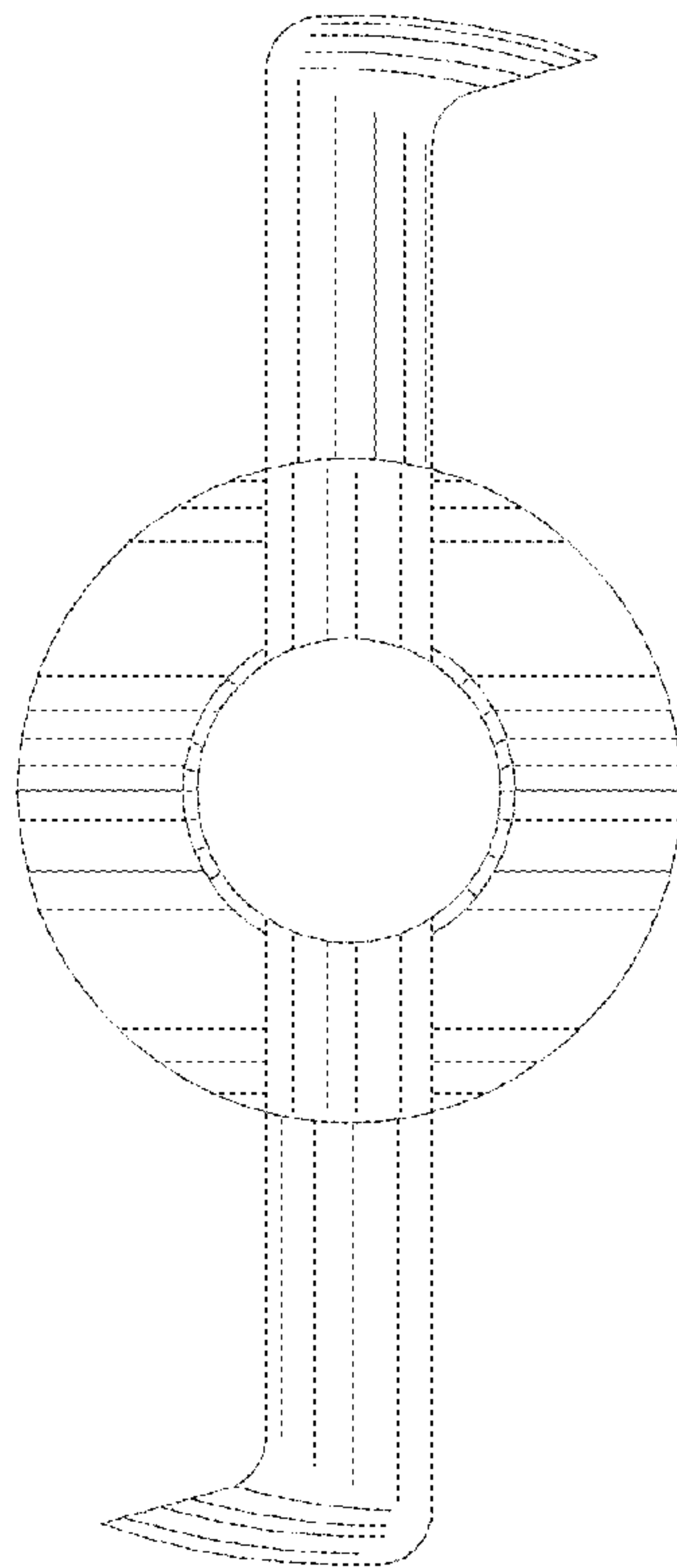


FIG. 7