



US00D742513S

(12) **United States Design Patent**
Ahluwalia

(10) **Patent No.:** **US D742,513 S**
(45) **Date of Patent:** **** Nov. 3, 2015**

- (54) **MEDICAL DEVICE**
- (71) Applicant: **Prabhat K. Ahluwalia**, Little Falls, NY (US)
- (72) Inventor: **Prabhat K. Ahluwalia**, Little Falls, NY (US)
- (73) Assignee: **MINIMALLY INVASIVE SURGICAL TECHNOLOGIES, INC.**, Little Falls, NY (US)
- (**) Term: **14 Years**
- (21) Appl. No.: **29/494,227**
- (22) Filed: **Jun. 18, 2014**
- (51) **LOC (10) Cl.** **24-02**
- (52) **U.S. Cl.**
USPC **D24/141**
- (58) **Field of Classification Search**
USPC D24/133, 135, 108, 127, 141, 143, 147;
606/119, 147; 600/37, 106, 202, 204,
600/219, 220, 222
See application file for complete search history.

(56) **References Cited**

U.S. PATENT DOCUMENTS

5,520,698	A *	5/1996	Koh	A61B 17/4241 128/898
5,643,285	A *	7/1997	Rowden	A61B 17/4241 606/119
5,840,077	A *	11/1998	Rowden	A61B 17/4241 606/119
6,423,075	B1 *	7/2002	Singh	A61B 17/4241 128/DIG. 26
D569,973	S *	5/2008	Oren et al.	D24/133
D597,669	S *	8/2009	Petersen	D24/133
D625,803	S *	10/2010	Studenc	D24/133
D667,550	S *	9/2012	Keckstein	D24/141
8,323,278	B2 *	12/2012	Brecheen	A61B 17/42 606/170

8,603,105	B2 *	12/2013	Sauer	A61B 17/4241 606/119
8,939,988	B2 *	1/2015	Auerbach	A61B 17/4241 606/119
9,011,433	B2 *	4/2015	Batchelor	A61B 18/1485 606/41
9,089,365	B2 *	7/2015	Jones	A61B 17/4241
9,101,390	B2 *	8/2015	Singh	A61B 17/4241
2001/0021854	A1 *	9/2001	Donnez	A61B 17/4241 606/119
2010/0106163	A1 *	4/2010	Blair	A61B 17/4241 606/119
2010/0280524	A1 *	11/2010	Lopez Zepeda	...	A61B 17/4241 606/119
2013/0085508	A1 *	4/2013	Hess	A61B 19/5202 606/119
2013/0289585	A1 *	10/2013	Jones et al.	606/151
2014/0200591	A1 *	7/2014	Sullivan et al.	606/119
2014/0257322	A1 *	9/2014	Batchelor et al.	606/119
2014/0358158	A1 *	12/2014	Einarsson	606/119
2015/0133923	A1 *	5/2015	Batchelor et al.	606/48

* cited by examiner

Primary Examiner — Ian Simmons
Assistant Examiner — Samantha Q Lawrence
(74) *Attorney, Agent, or Firm* — Pierson IP, PLLC

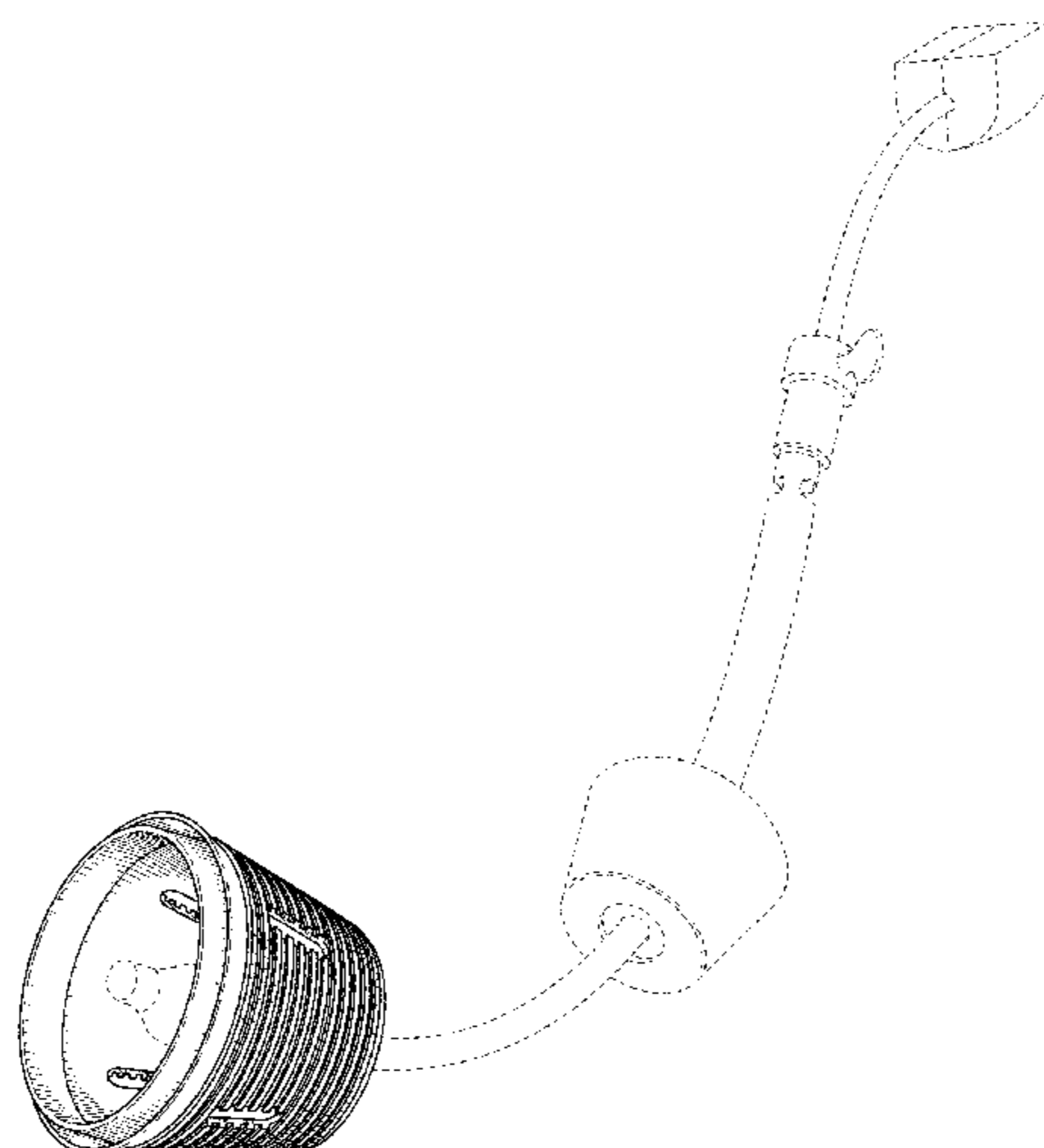
(57) **CLAIM**

The ornamental design for a medical device, as shown and described.

DESCRIPTION

FIG. 1 is a perspective view of a medical device showing our new design thereof;
FIG. 2 is a front view of the medical device shown in FIG. 1;
FIG. 3 is a rear view of the medical device shown in FIG. 1;
and,
FIG. 4 is a side view of the medical device SHOWN in FIG. 1.
The broken lines shown in FIG. 2 illustrate portions of the medical device that form no part of the claimed design. The broken lines shown in FIG. 1 illustrate an environment and form no part of the claimed design.

1 Claim, 3 Drawing Sheets



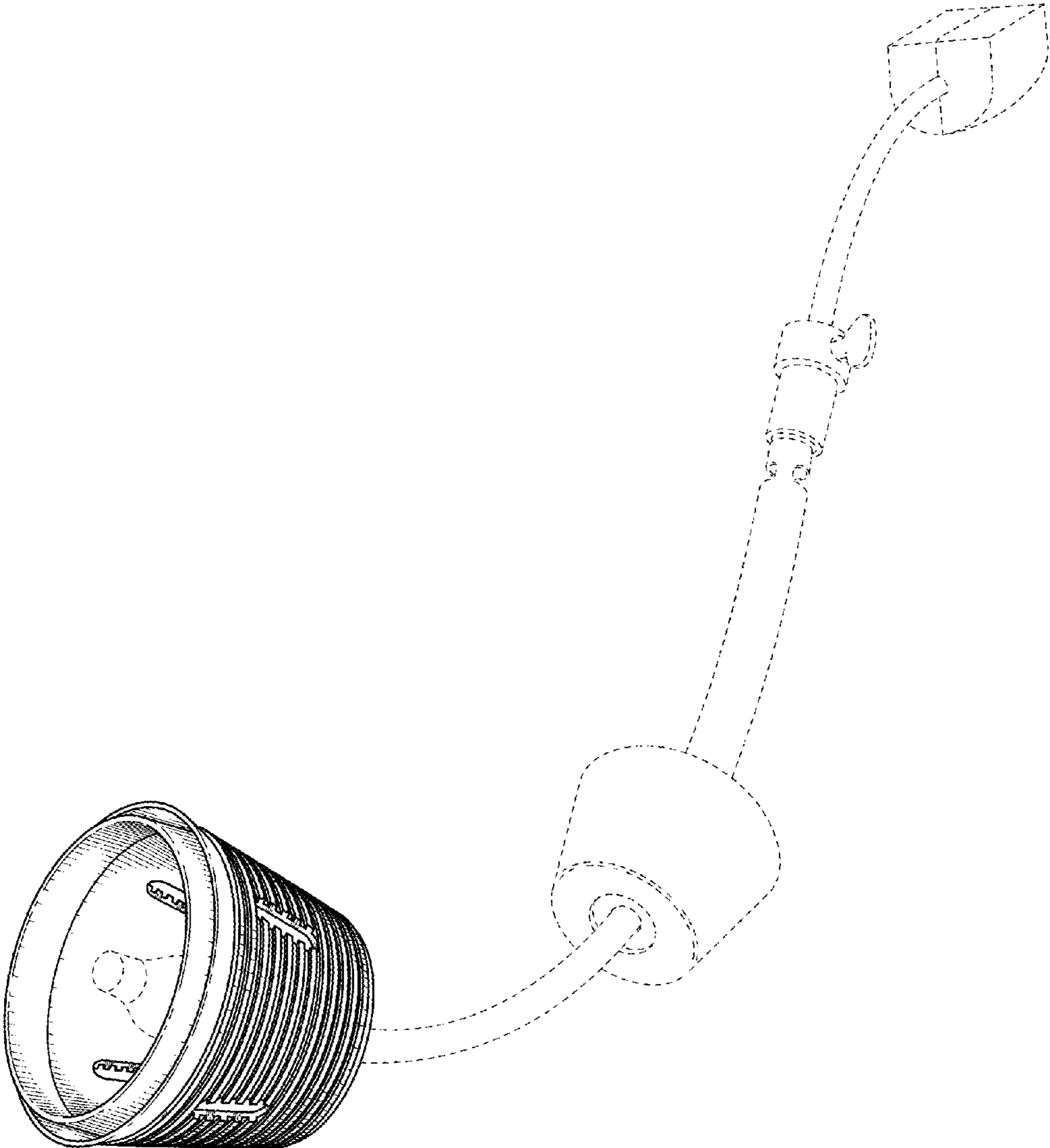


FIG. 1

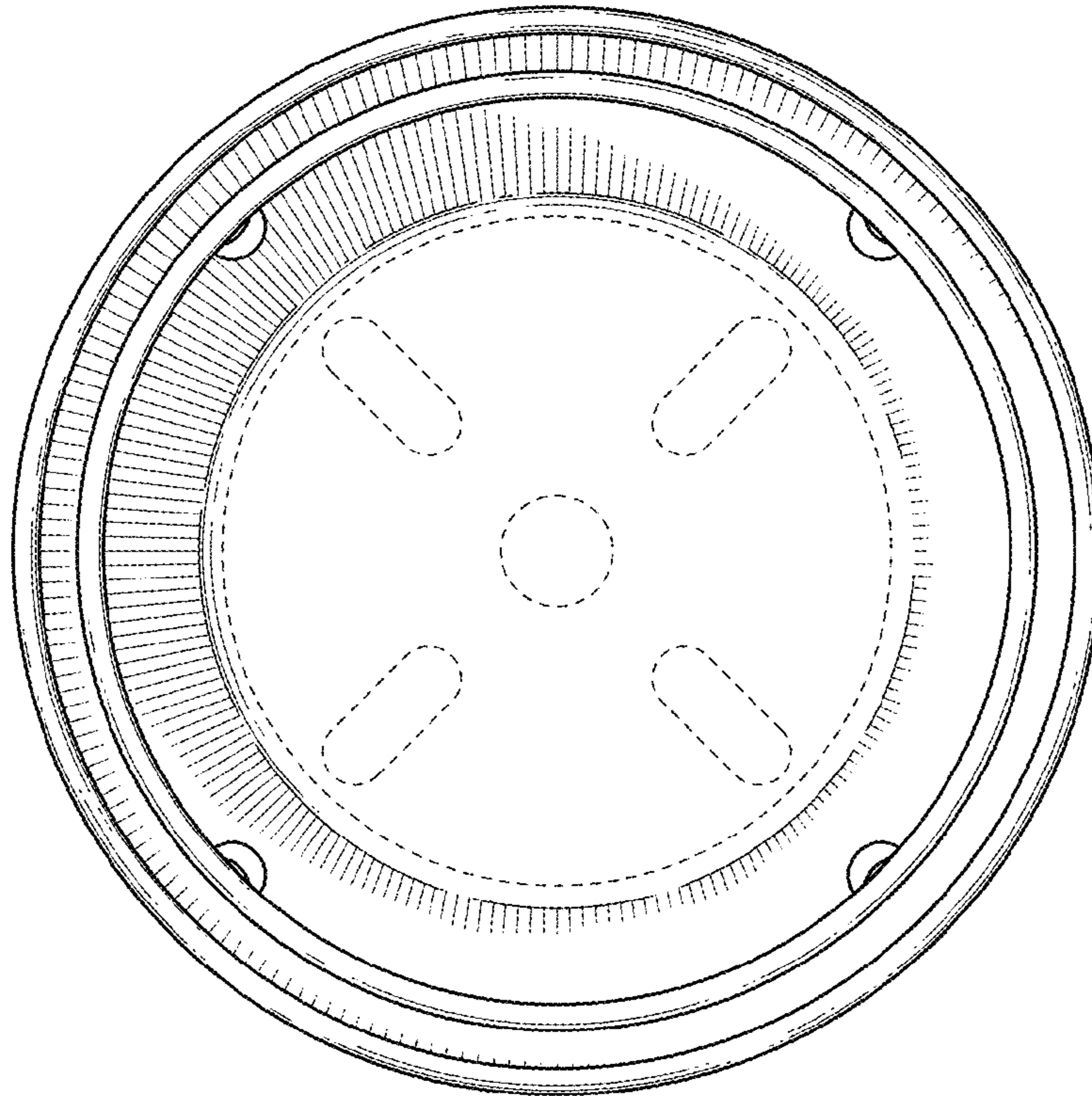


FIG. 2

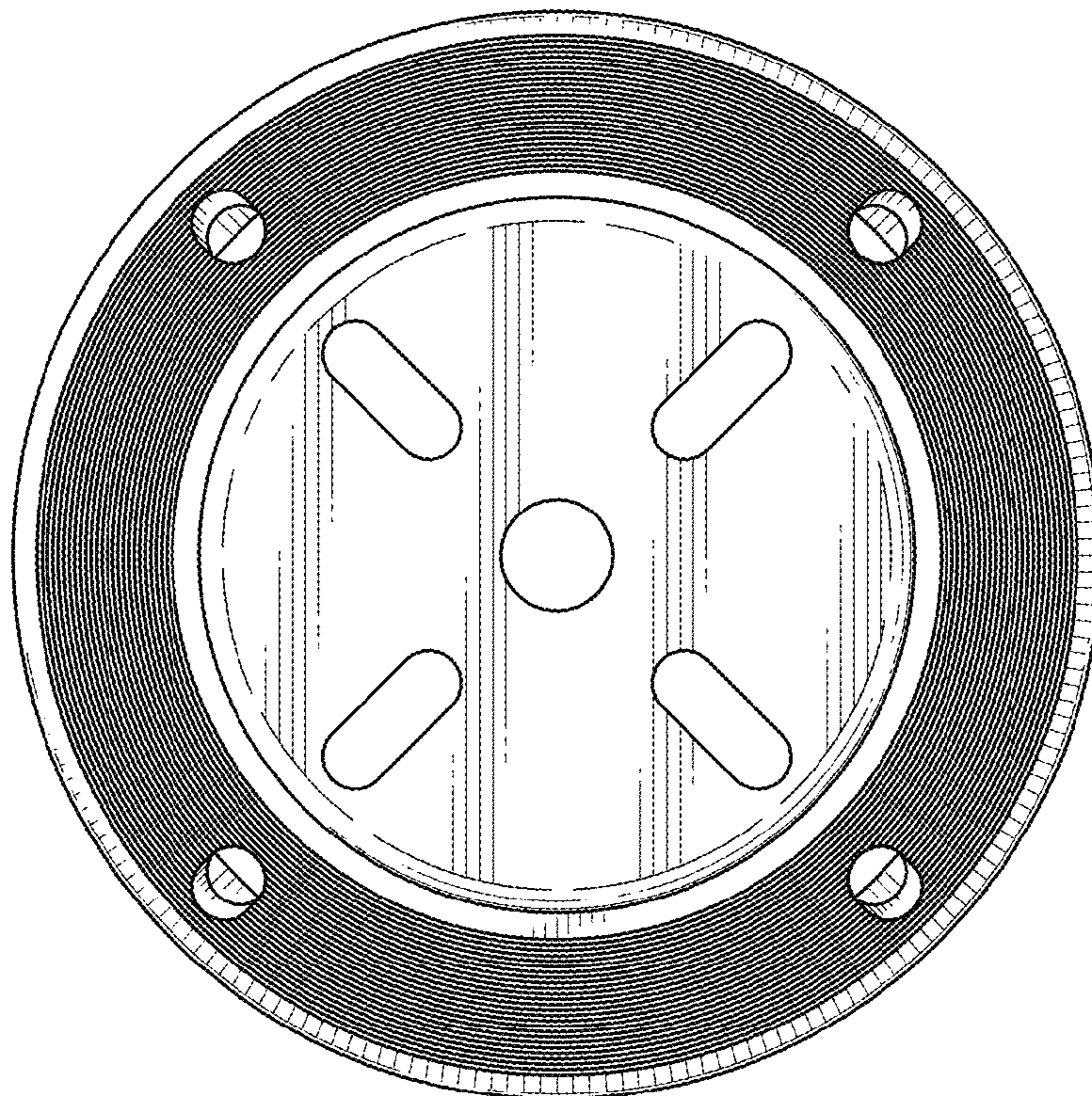


FIG. 3

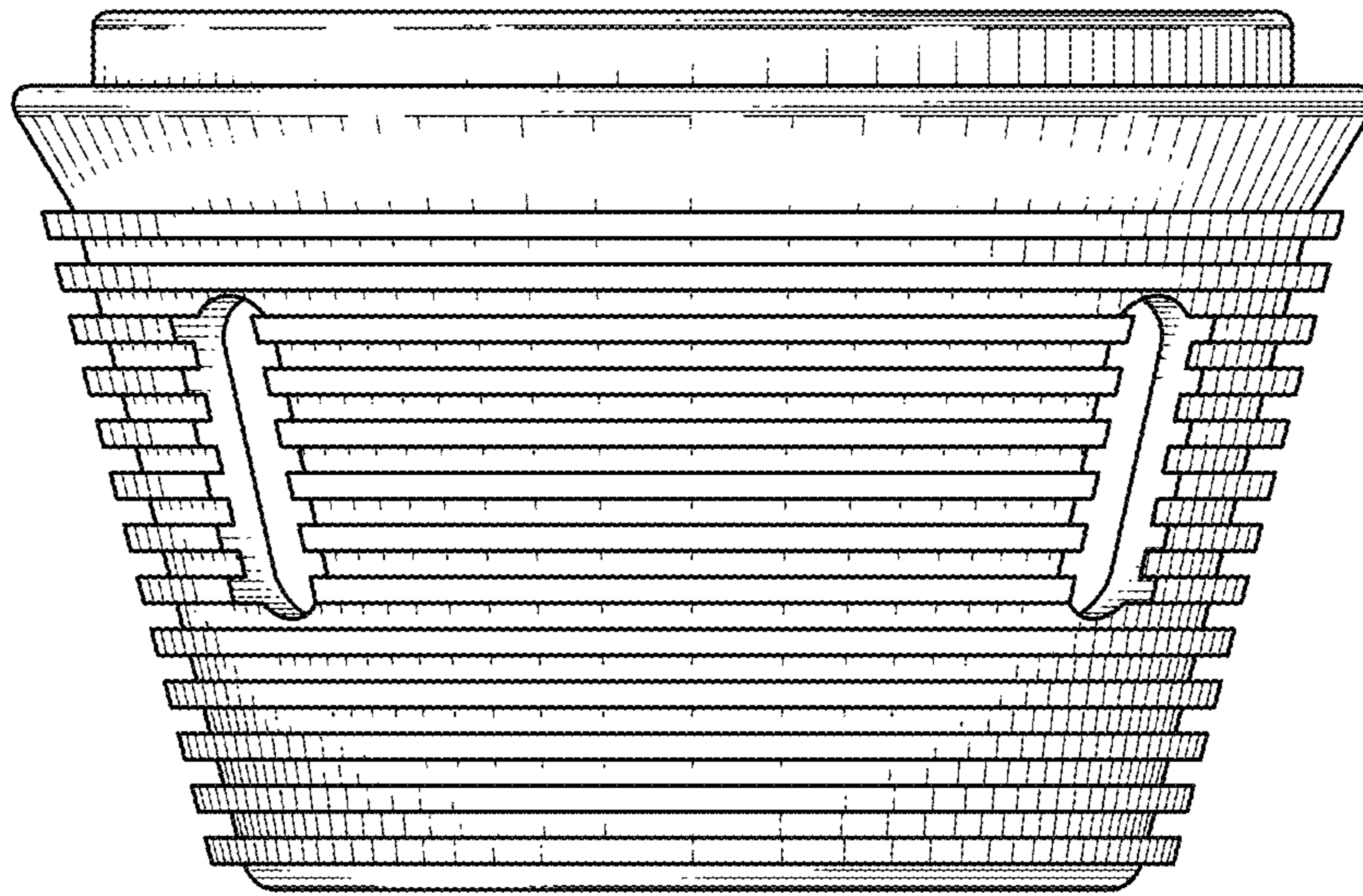


FIG. 4