



US00D742512S

(12) **United States Design Patent**
Pilz et al.

(10) **Patent No.:** **US D742,512 S**

(45) **Date of Patent:** **** Nov. 3, 2015**

- (54) **SPREADABLE LARYNGOSCOPE**
- (71) Applicants: **KARL STORZ GmbH & Co. KG**,
Tuttlingen (DE); **Mayo Foundation for
Medical Education and Research**,
Rochester, MN (US)
- (72) Inventors: **Kevin Pilz**, Tuttlingen (DE); **Michael
Hinni**, Fountain Hills, AZ (US)
- (73) Assignees: **KARL STORZ GmbH & Co. KG**,
Tuttlingen (DE); **Mayo Foundation for
Medical Education and Research**,
Rochester, MN (US)

D379,504	S	*	5/1997	Crews et al.	D24/105
5,891,018	A	*	4/1999	Wells	600/226
D621,937	S	*	8/2010	Efinger et al.	D24/137
D630,737	S	*	1/2011	Tenger et al.	D24/137
D630,740	S	*	1/2011	Tenger et al.	D24/137
D630,741	S	*	1/2011	Tenger et al.	D24/137
D631,963	S	*	2/2011	Efinger et al.	D24/137
2001/0023312	A1	*	9/2001	Pacey	600/108
2013/0023729	A1	*	1/2013	Vazales et al.	600/104
2014/0343559	A1	*	11/2014	Flickinger et al.	606/90

* cited by examiner

Primary Examiner — Bridget L Eland

(74) *Attorney, Agent, or Firm* — Muncy, Geissler, Olds & Lowe, P.C.

(**) Term: **14 Years**

(21) Appl. No.: **29/469,965**

(22) Filed: **Oct. 16, 2013**

(51) **LOC (10) Cl.** **24-02**

(52) **U.S. Cl.**
USPC **D24/137**

(58) **Field of Classification Search**
USPC D24/137, 133, 135, 136, 138
CPC A61B 1/267; A61B 1/2673; A61B 1/2676;
A61B 1/273; A61B 1/2733; A61B 1/2736
See application file for complete search history.

(56) **References Cited**

U.S. PATENT DOCUMENTS

D304,494	S	*	11/1989	Rosenwald et al.	D24/138
D312,308	S	*	11/1990	Abadir	D24/138

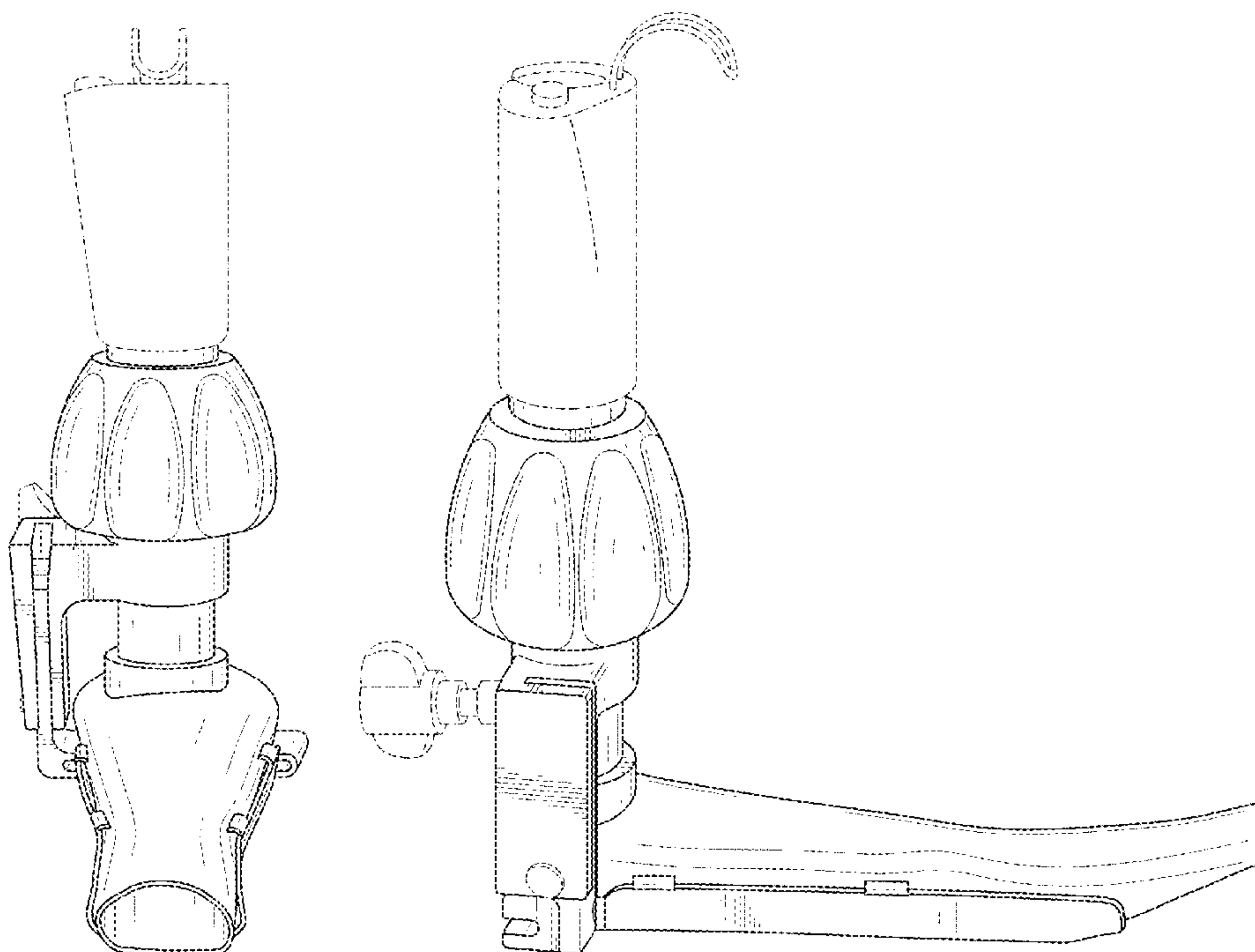
(57) **CLAIM**

The ornamental design for a spreadable laryngoscope, as shown and described.

DESCRIPTION

FIG. 1 is a right front perspective view of a spreadable laryngoscope showing my new design;
FIG. 2 is a right rear perspective view thereof;
FIG. 3 is a front perspective view thereof;
FIG. 4 is a rear perspective view thereof;
FIG. 5 is a top perspective view thereof;
FIG. 6 is a bottom perspective view thereof;
FIG. 7 is a left perspective view thereof; and,
FIG. 8 is a right perspective view thereof.
The dashed lines illustrate environment that does not form a part of the present invention, and no claim is made to the material illustrated with dashed lines.

1 Claim, 7 Drawing Sheets



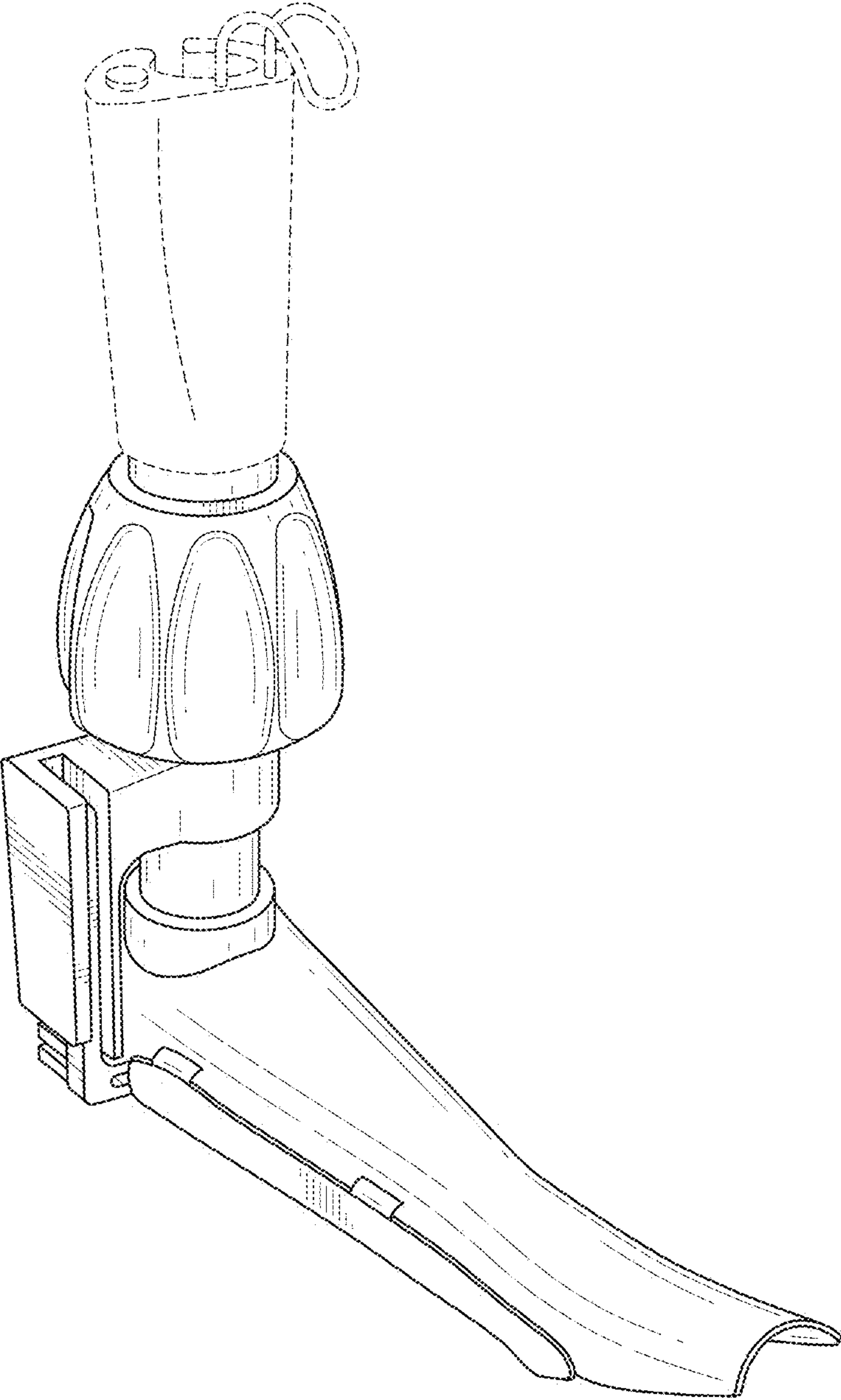


FIG. 1

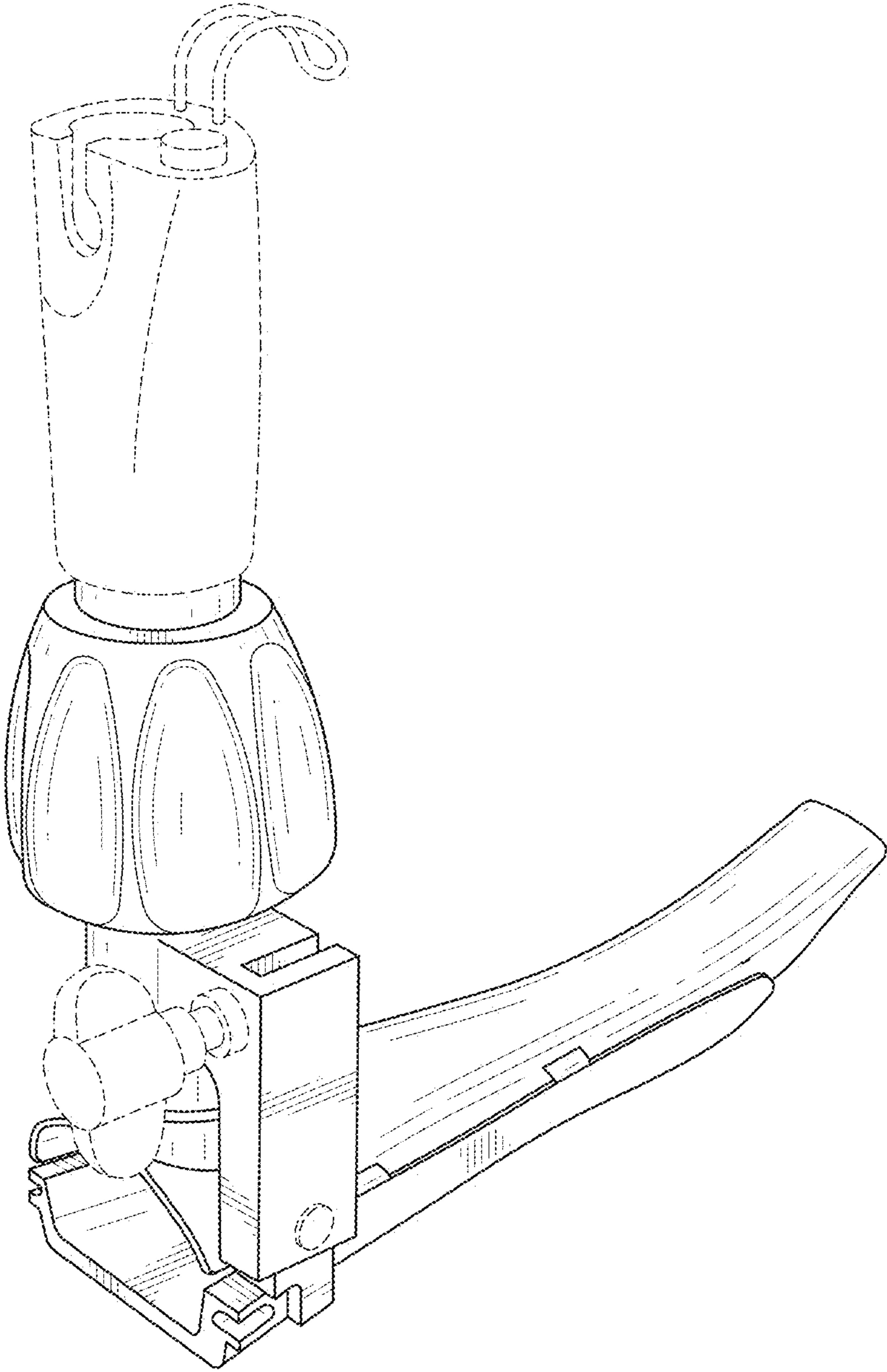


FIG.2

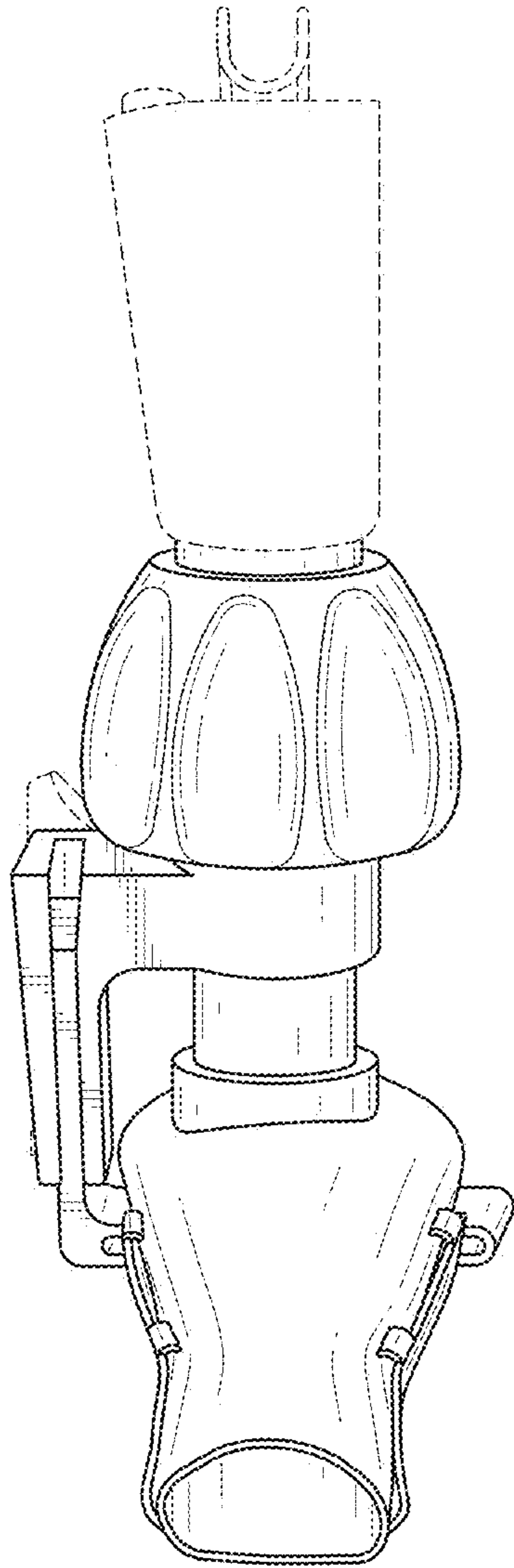


FIG.3

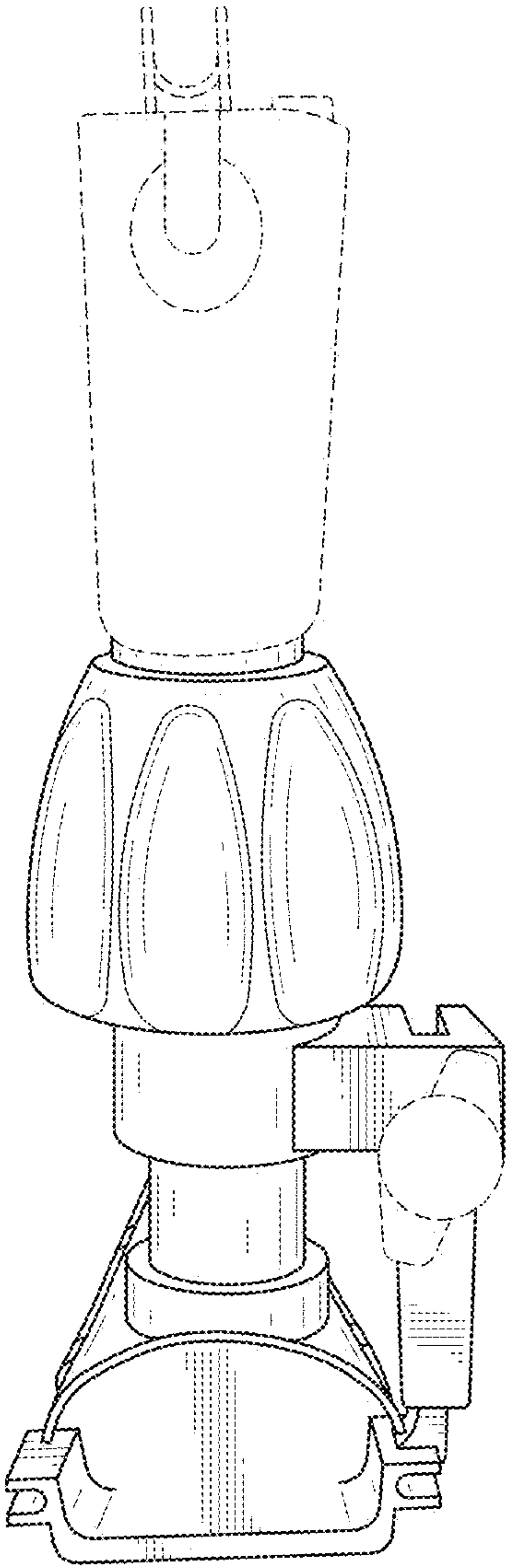


FIG.4

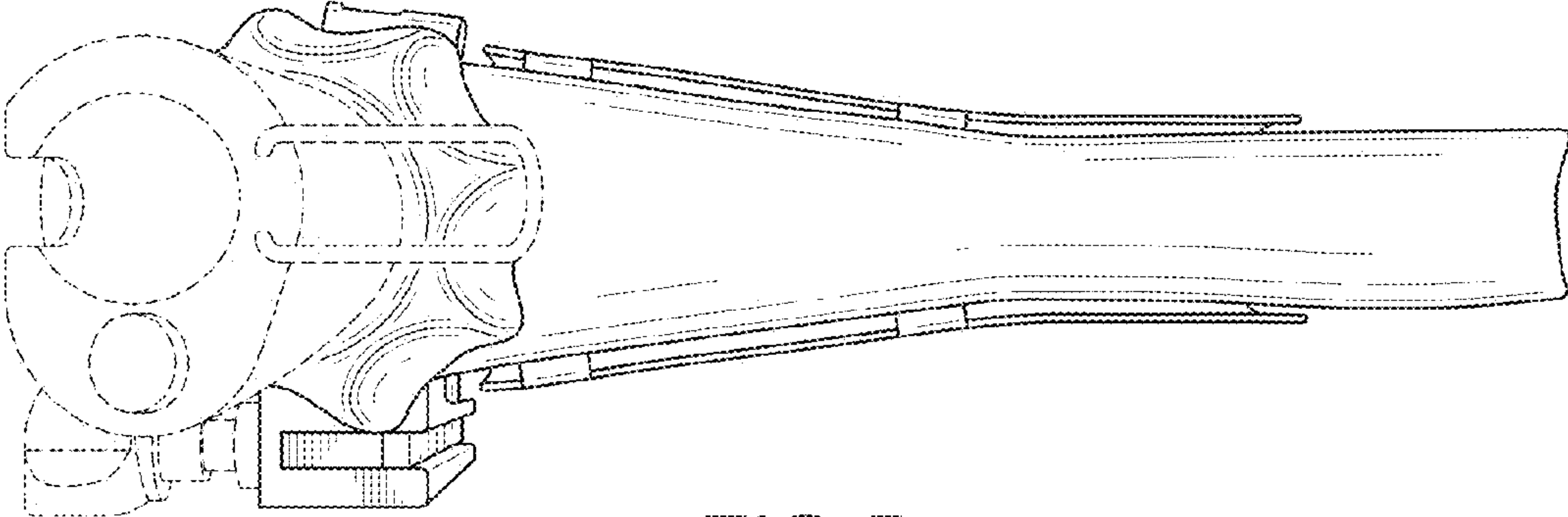


FIG. 5

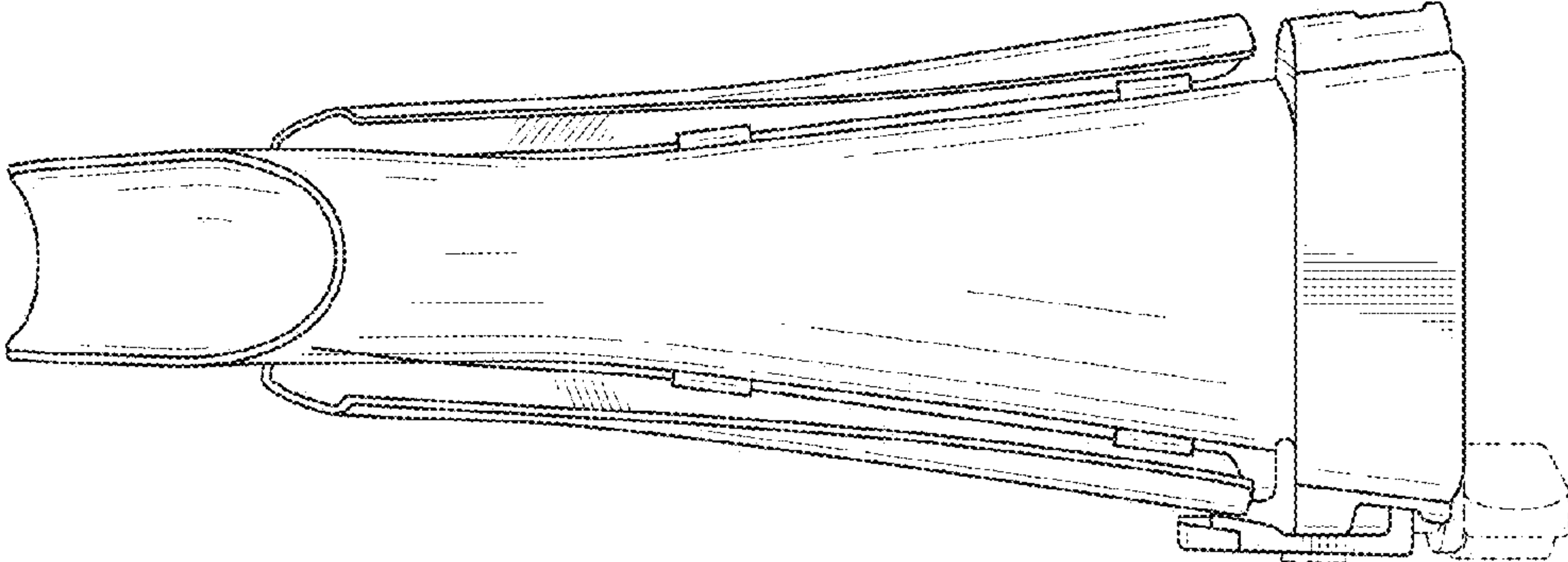


FIG. 6

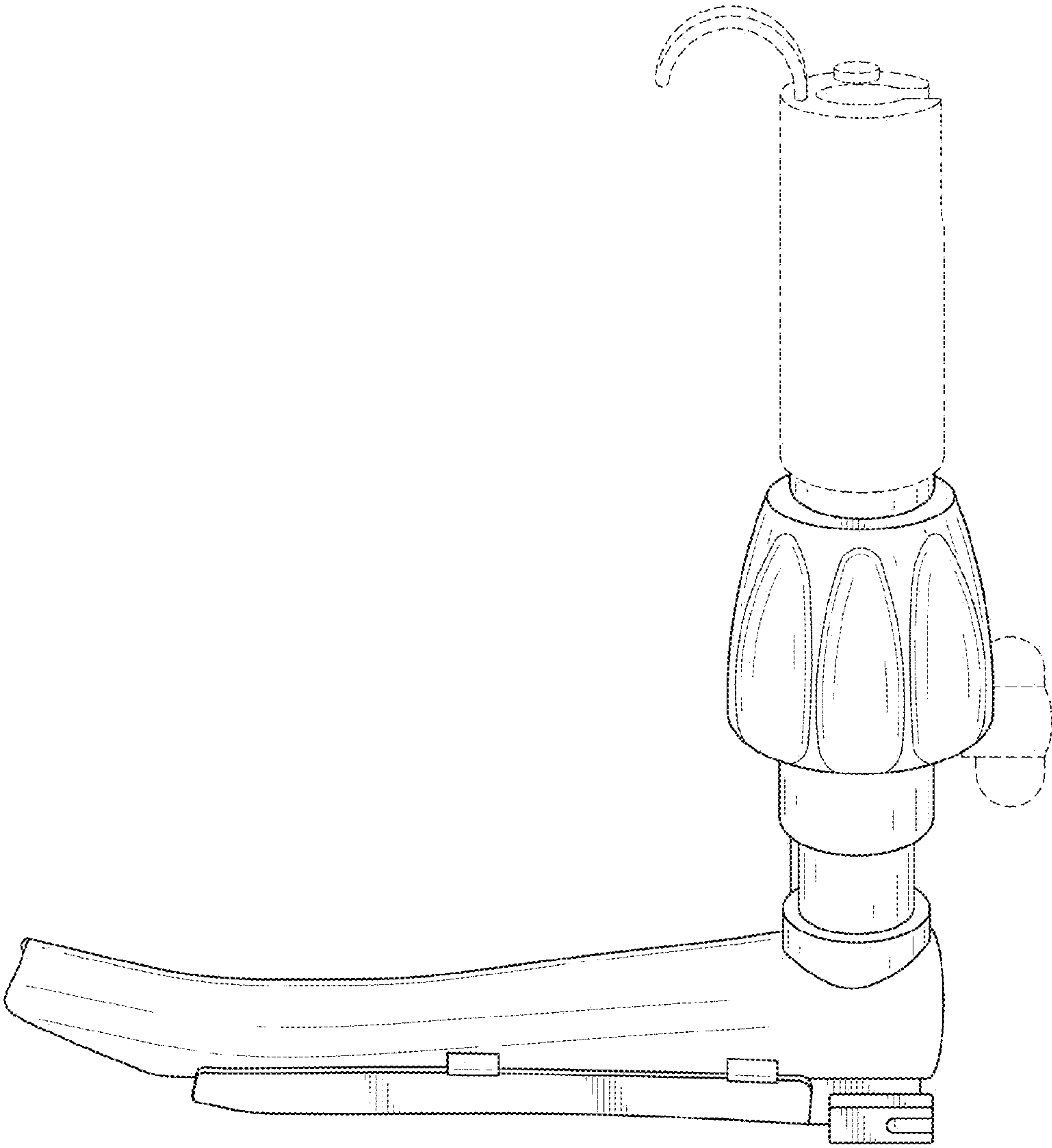


FIG.7

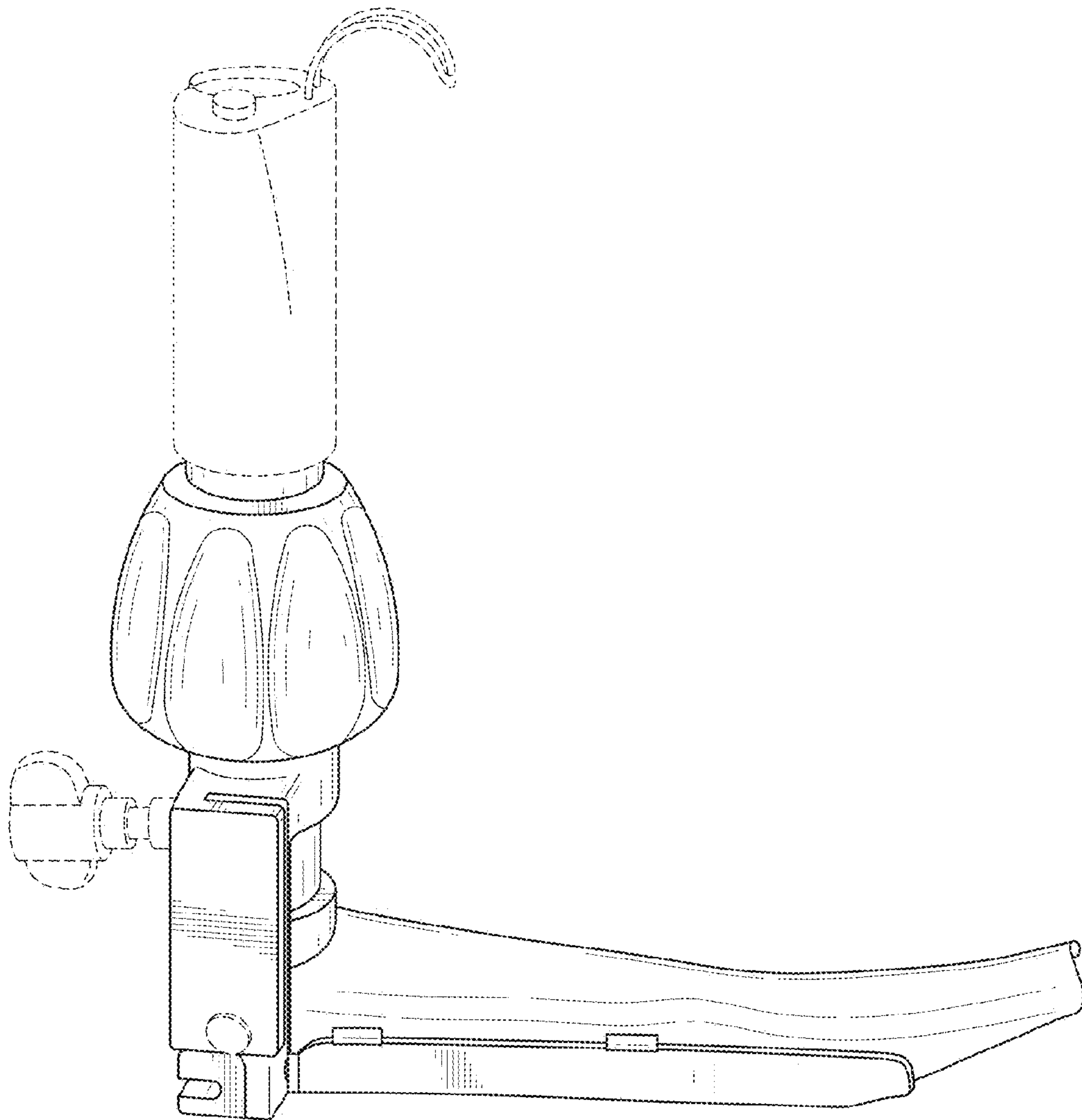


FIG.8