



US00D742509S

(12) **United States Design Patent**  
**Anderson**

(10) **Patent No.:** **US D742,509 S**

(45) **Date of Patent:** **\*\* Nov. 3, 2015**

- (54) **PROSTHESIS INSERTION COLLAR DRAPE**
- (71) Applicant: **Robert G. Anderson**, Aledo, TX (US)
- (72) Inventor: **Robert G. Anderson**, Aledo, TX (US)
- (\*\*) Term: **14 Years**
- (21) Appl. No.: **29/511,866**
- (22) Filed: **Dec. 15, 2014**
- (51) **LOC (10) Cl.** ..... **24-02**
- (52) **U.S. Cl.**  
USPC ..... **D24/129**
- (58) **Field of Classification Search**  
USPC ..... D24/127-131, 112-114, 133, 186;  
606/181, 185, 108; 604/264, 523-528,  
604/272, 187, 158, 164.01-164.11, 181,  
604/184, 227; 600/101, 139, 143;  
128/200.24, 207.14, 207.15, 200.26  
CPC ..... A61F 2/203; A61F 2/958; A61M 25/065;  
A61M 5/42; A61M 25/0612; A61M 25/00;  
A61M 39/00; A61M 27/00; A61M 25/0043;  
A61M 25/0067; A61M 25/0097  
See application file for complete search history.

- 7,267,692 B2 \* 9/2007 Fortin ..... A61F 2/442  
623/17.16
- 7,520,897 B2 \* 4/2009 Seder ..... A61F 2/203  
424/404
- D638,541 S \* 5/2011 Claypool ..... D24/133
- 8,070,816 B2 \* 12/2011 Taylor ..... A61F 2/44  
623/17.11
- 8,206,443 B2 6/2012 Preissman
- 8,211,173 B2 7/2012 Keller et al.
- 8,231,521 B2 \* 7/2012 Morningstar ..... A61F 2/26  
600/40
- 8,236,007 B2 \* 8/2012 Persson ..... A61F 2/203  
606/108
- 8,313,760 B2 11/2012 Hunter
- 8,465,546 B2 \* 6/2013 Jodaitis ..... A61F 2/442  
623/17.16

(Continued)

**FOREIGN PATENT DOCUMENTS**

WO WO/2013/122568 A1 8/2013

**OTHER PUBLICATIONS**

Richard A. Mladick, M.D., F.A.C.S. "No-Touch" Submuscular Saline Breast Augmentation Technique, Aesthetic Plastic Surgery, 17:183-192, 1993, New York, NY.

(Continued)

*Primary Examiner* — David Muller  
(74) *Attorney, Agent, or Firm* — Klemchuk LLP; Kirby B. Drake

(57) **CLAIM**  
The ornamental design for a prosthesis insertion collar drape, as shown.

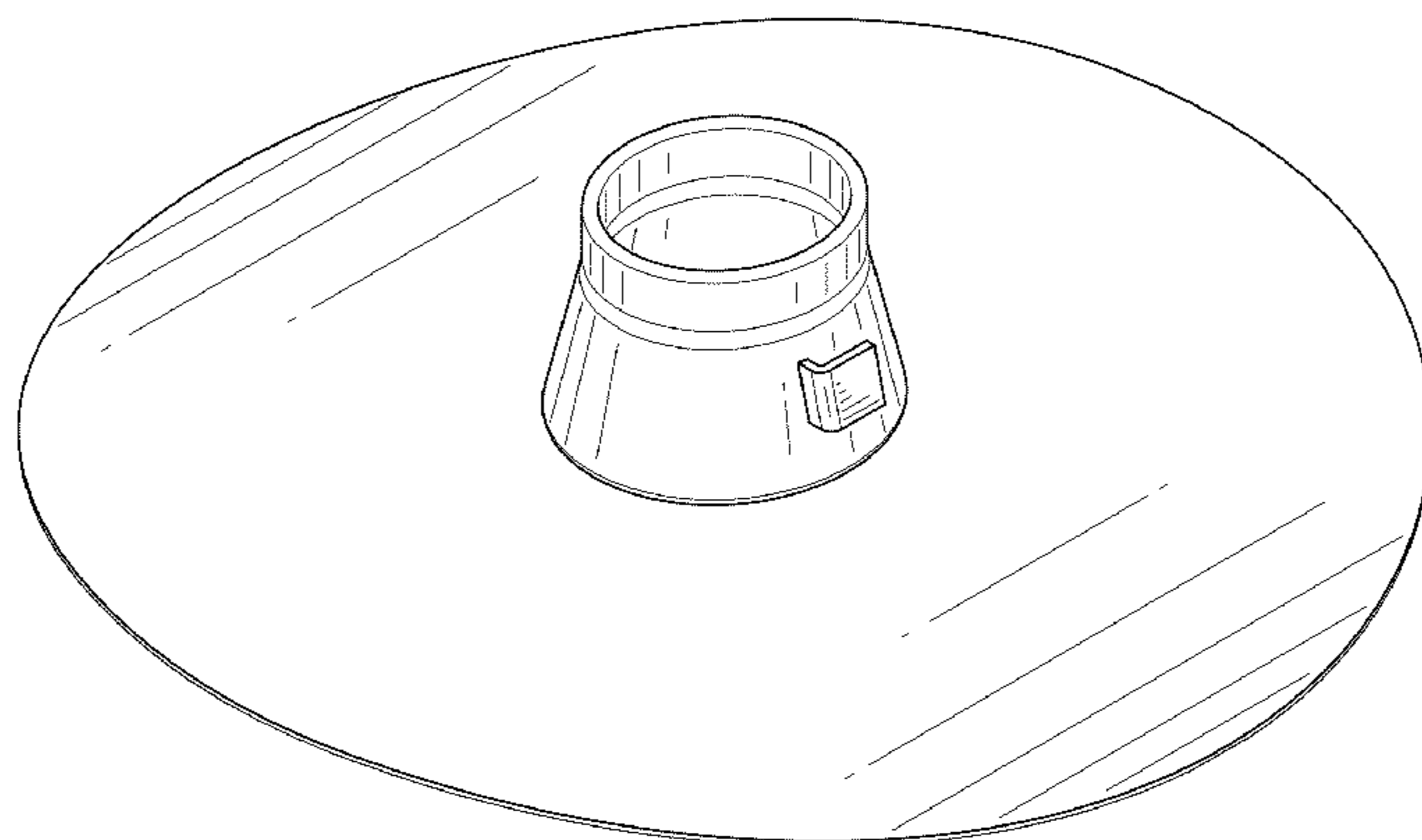
**DESCRIPTION**

FIG. 1: Front perspective view of an ornamental design for a prosthesis insertion collar and drape;  
FIG. 2: Right side view thereof;  
FIG. 3: Left side view thereof;  
FIG. 4: Back view thereof;  
FIG. 5: Front view thereof.  
FIG. 6: Top view thereof; and,  
FIG. 7: Bottom view thereof.

**1 Claim, 4 Drawing Sheets**

(56) **References Cited**  
U.S. PATENT DOCUMENTS

- 4,641,648 A 2/1987 Shapiro
- 4,955,906 A 9/1990 Coggins et al.
- 5,064,433 A \* 11/1991 Blom ..... A61F 2/203  
128/207.16
- 5,207,221 A \* 5/1993 Stulbach ..... A61M 16/0488  
128/200.26
- 5,375,592 A \* 12/1994 Kirk ..... A61M 16/0488  
116/206
- 5,571,178 A 11/1996 Ledergerber
- 5,623,924 A \* 4/1997 Lindenman ..... A61M 16/0488  
128/200.26
- 5,723,006 A 3/1998 Ledergerber
- 5,782,913 A 7/1998 Schindler et al.
- 6,004,329 A \* 12/1999 Myers ..... A61F 2/2427  
294/24
- 7,025,784 B1 \* 4/2006 Blom ..... A61F 2/20  
623/14.11



(56)

## References Cited

## U.S. PATENT DOCUMENTS

8,550,090	B2	10/2013	Keller et al.
8,555,893	B2	10/2013	Keller et al.
8,641,758	B1	2/2014	Anderson
2007/0276484	A1	11/2007	Abell et al.
2009/0204107	A1	8/2009	Keller et al.
2010/0280610	A1	11/2010	Preissman
2011/0035003	A1	2/2011	Preissman
2011/0218624	A1	9/2011	Preissman
2012/0185042	A1	7/2012	Preissman
2012/0259414	A1	10/2012	Preissman
2013/0073040	A1	3/2013	Preissman
2014/0074235	A1	3/2014	Keller et al.
2014/0074236	A1	3/2014	Keller et al.
2014/0148901	A1	5/2014	Anderson

## OTHER PUBLICATIONS

Richard A. Mladick, M.D., F.A.C.S. Significance of *Staphylococcus epidermidis* Causing Subclinical Infection, *Plastic & Reconstructive Surgery*: Apr. 15, 2005—vol. 115—Issue 5—pp. 1426-1427, Virginia Beach, VA.

“Richard A. Mladick, M.D., F.A.C.S. Prevention of Capsular Contracture, *Plastic & Reconstructive Surgery*: May 1999—vol. 103—Issue 6—pp. 1773-1774, Virginia Beach, VA”.

Thomas M. Biggs, M.D. Prefilled Saline Breast Implants Offer Significant Advantages, *Aesthetic Surgery Journal* Sep. 1999 vol. 19 No. 5 424, St Louis, MO.

“Mitchel H. Brown, M.D., M.Ed. Cohesive Silicone Gel Breast Implants in Aesthetic and Reconstructive Breast Surgery, *Plastic & Reconstructive Surgery*: Sep. 1, 2005—vol. 116—Issue 3—pp. 768-779”.

\* cited by examiner

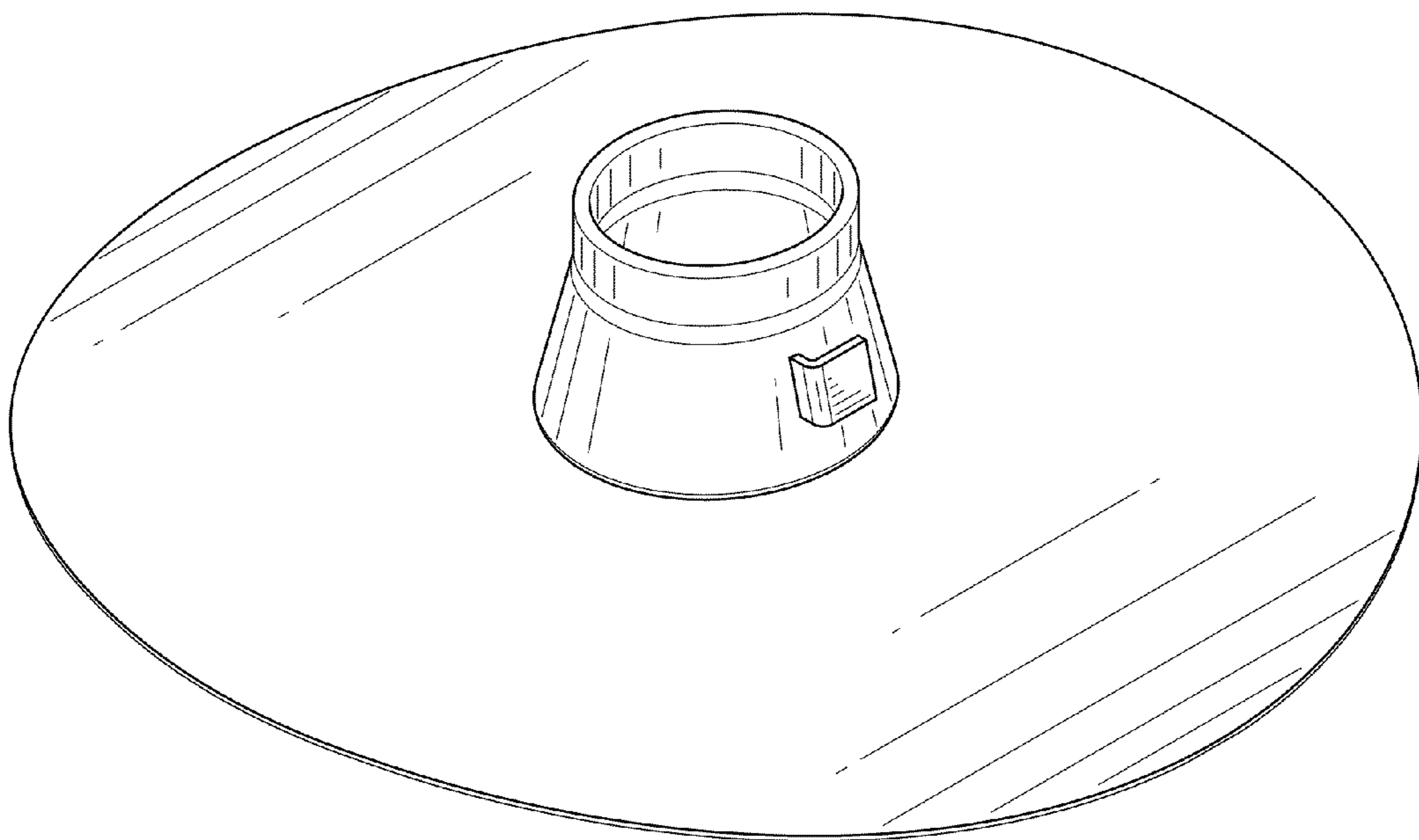


FIG. 1

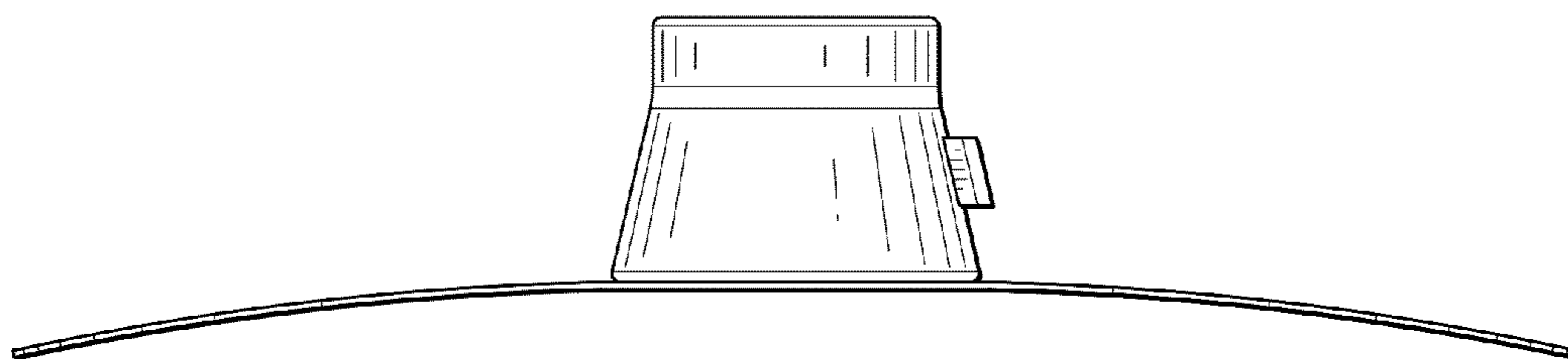


FIG. 2

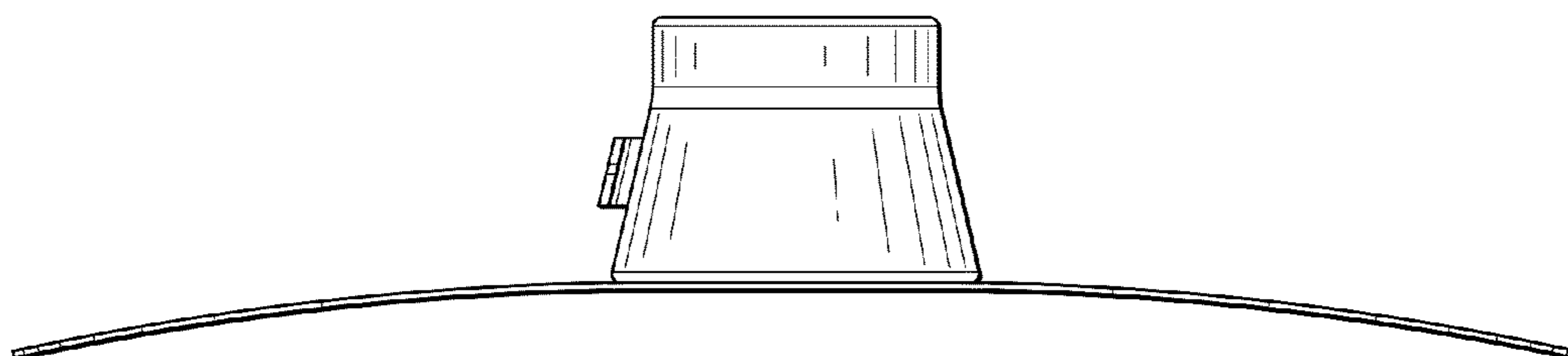


FIG. 3

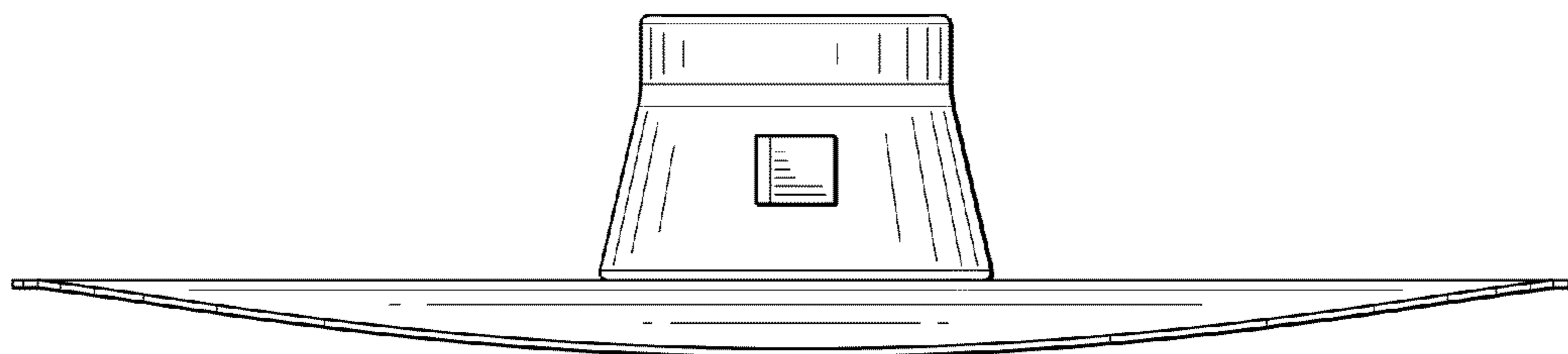


FIG. 4

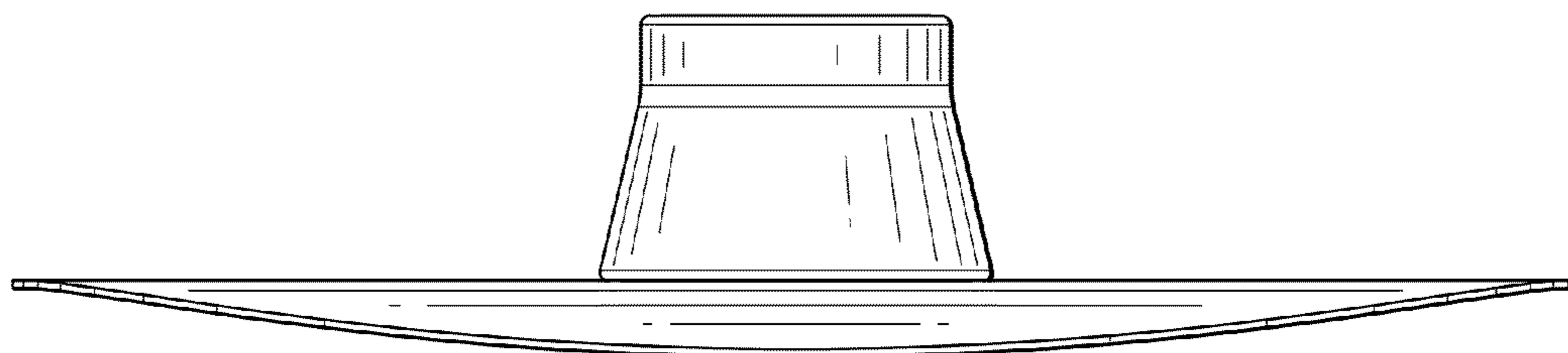


FIG. 5



FIG. 6



FIG. 7