



US00D742508S

(12) **United States Design Patent**
Row et al.

(10) **Patent No.:** **US D742,508 S**
(45) **Date of Patent:** **** Nov. 3, 2015**

(54) **AIR DELIVERY TUBE WITH CUFF**

FOREIGN PATENT DOCUMENTS

(71) Applicant: **ResMed Limited**, Bella Vista, NSW (AU)

GB 1030840 5/1966
WO WO 2006/133480 12/2006

(Continued)

(72) Inventors: **Nathan John Row**, Lane Cove (AU); **Alexander Virr**, Mangrove Mountain (AU); **Nicholas Earl**, Melbourn Royston Hertfordshire (GB); **Mark Bertinetti**, Ermington (AU); **Phoebe Katherine Hill**, Roseville (AU)

New Zealand Examination Report issued in corresponding NZ Appln. No. 579384 (Feb. 4, 2011).

(Continued)

(73) Assignee: **RESMED LIMITED**, Bella Vista (AU)

Primary Examiner — Ian Simmons
Assistant Examiner — Samantha Q Lawrence

(74) *Attorney, Agent, or Firm* — Nixon & Vanderhye, P.C.

(**) Term: **14 Years**

(57) **CLAIM**

The ornamental design for an air delivery tube with cuff, as shown and described.

(21) Appl. No.: **29/460,608**

DESCRIPTION

(22) Filed: **Jul. 12, 2013**

(51) **LOC (10) Cl.** **24-02**

(52) **U.S. Cl.**
USPC **D24/129**

(58) **Field of Classification Search**
USPC D24/107, 110.6, 112-118, 120, 121, D24/127, 129, 130, 131; 606/107, 6.38; 623/6.12; 600/5, 356; 128/200.24, 128/201.22, 202.27, 203.27, 204.18, 128/205.25, 206.15, 206.21
See application file for complete search history.

FIG. 1 is a front perspective view of an air delivery tube with cuff according to a first embodiment showing our new ornamental design;
FIG. 2 is a rear perspective view thereof;
FIG. 3 is a top view thereof;
FIG. 4 is a front view thereof;
FIG. 5 is a right side view thereof;
FIG. 6 is a left side view thereof;
FIG. 7 is a front perspective view of an air delivery tube with cuff according to a second embodiment showing our new ornamental design;
FIG. 8 is a rear perspective view thereof;
FIG. 9 is a top view thereof;
FIG. 10 is a front view thereof;
FIG. 11 is a right side view thereof; and,
FIG. 12 is a left side view thereof.

The broken lines shown in FIGS. 1-12 illustrate portions of the air delivery tube with cuff that form no part of the claimed design.

The dotted lines represent the boundary between claimed and unclaimed portions of the design, and do not form a part of the claimed design.

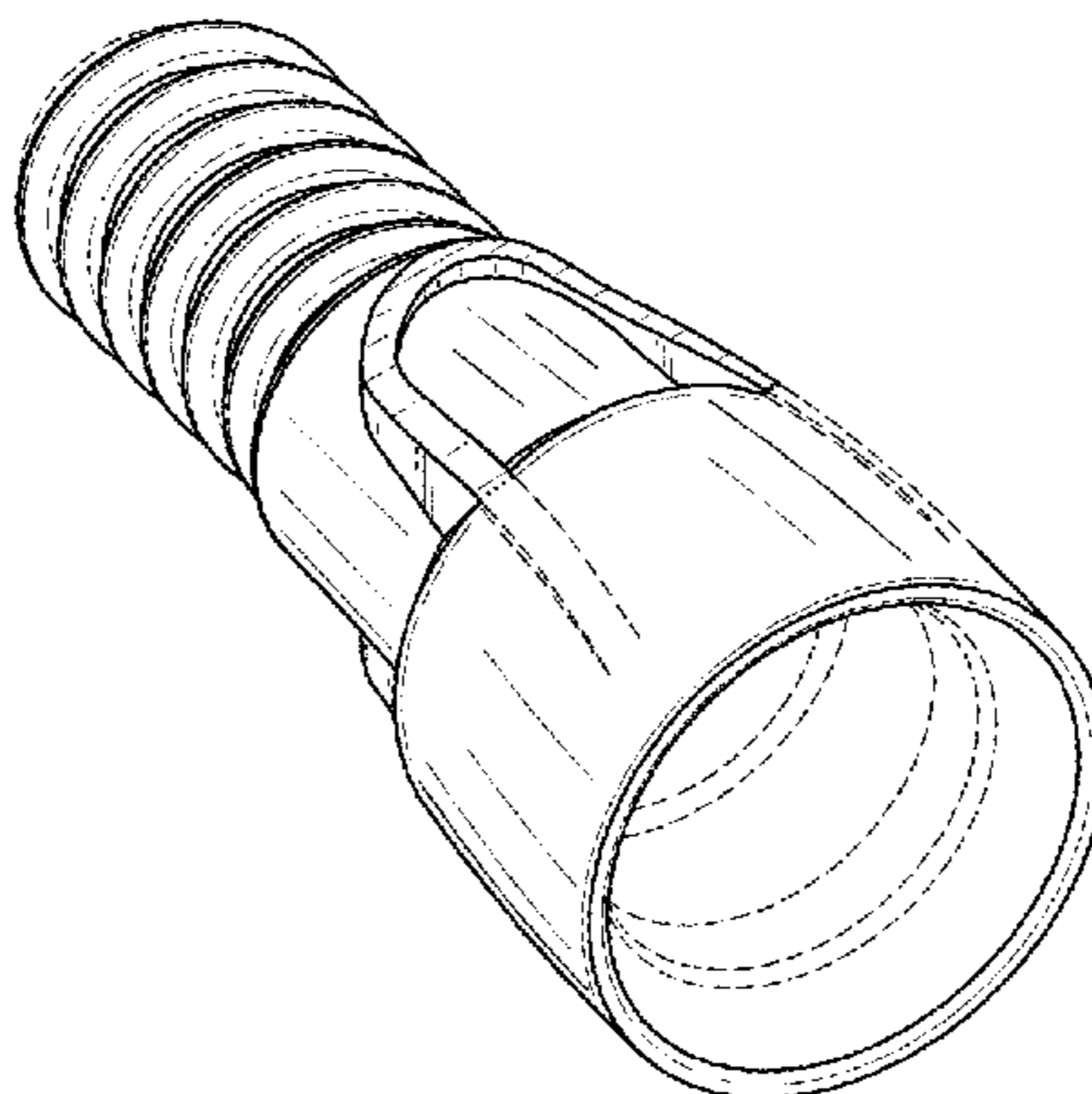
(56) **References Cited**

U.S. PATENT DOCUMENTS

| | | |
|-------------|---------|---------------|
| 2,073,335 A | 3/1937 | Connell |
| 2,516,864 A | 8/1950 | Gilmore |
| 3,388,705 A | 6/1968 | Grosshandler |
| 4,714,279 A | 12/1987 | Custeau |
| 5,309,902 A | 5/1994 | Kee et al. |
| 5,336,192 A | 8/1994 | Palestrant |
| 5,382,242 A | 1/1995 | Horton et al. |

(Continued)

1 Claim, 4 Drawing Sheets



(56)

References Cited

U.S. PATENT DOCUMENTS

D454,637 S * 3/2002 Nestenborg D24/130
 D476,731 S * 7/2003 Cise et al. D24/110
 D486,909 S * 2/2004 Cise et al. D24/129
 6,691,707 B1 2/2004 Gunaratnam et al.
 6,892,729 B2 5/2005 Smith et al.
 6,953,354 B2 10/2005 Edirisuriya
 D628,288 S 11/2010 Row et al.
 D629,891 S 12/2010 Virr et al.
 D629,892 S 12/2010 Hill
 7,874,292 B2 1/2011 Smith et al.
 D638,536 S 5/2011 Row et al.
 D638,537 S * 5/2011 Virr et al. D24/129
 D638,933 S 5/2011 Hill
 D650,479 S 12/2011 Row et al.
 D652,916 S * 1/2012 Row et al. D24/129
 D652,917 S 1/2012 Hill
 8,100,127 B2 1/2012 Worley
 D655,813 S 3/2012 Row et al.
 D671,209 S 11/2012 Row
 D677,789 S 3/2013 Row et al.
 2007/0277828 A1 12/2007 Ho et al.

2008/0066756 A1 3/2008 Lang et al.
 2010/0116272 A1 5/2010 Row
 2010/0236552 A1 9/2010 Kwok et al.

FOREIGN PATENT DOCUMENTS

WO WO 2009/077045 6/2009
 WO 2010/031126 3/2010

OTHER PUBLICATIONS

New Zealand Examination Report for NZ Appln. No. 605324, dated Jan. 7, 2013, 2 pages.
 Australian Patent Examination Report No. 1 for AU Application No. 2009212880, dated Jan. 14, 2013, 2 pages.
 Examination Report issued in related NZ Appln. No. 597179 (Dec. 20, 2011).
 Examination Report issued in related NZ Appln. No. 589766 (Mar. 12, 2012).
 Design U.S. Appl. No. 29/443,523, filed Jan. 18, 2013 (pending).
 New Zealand Further Examination Report for NZ Appln. No. 597179, dated Apr. 10, 2013, 1 page.

* cited by examiner

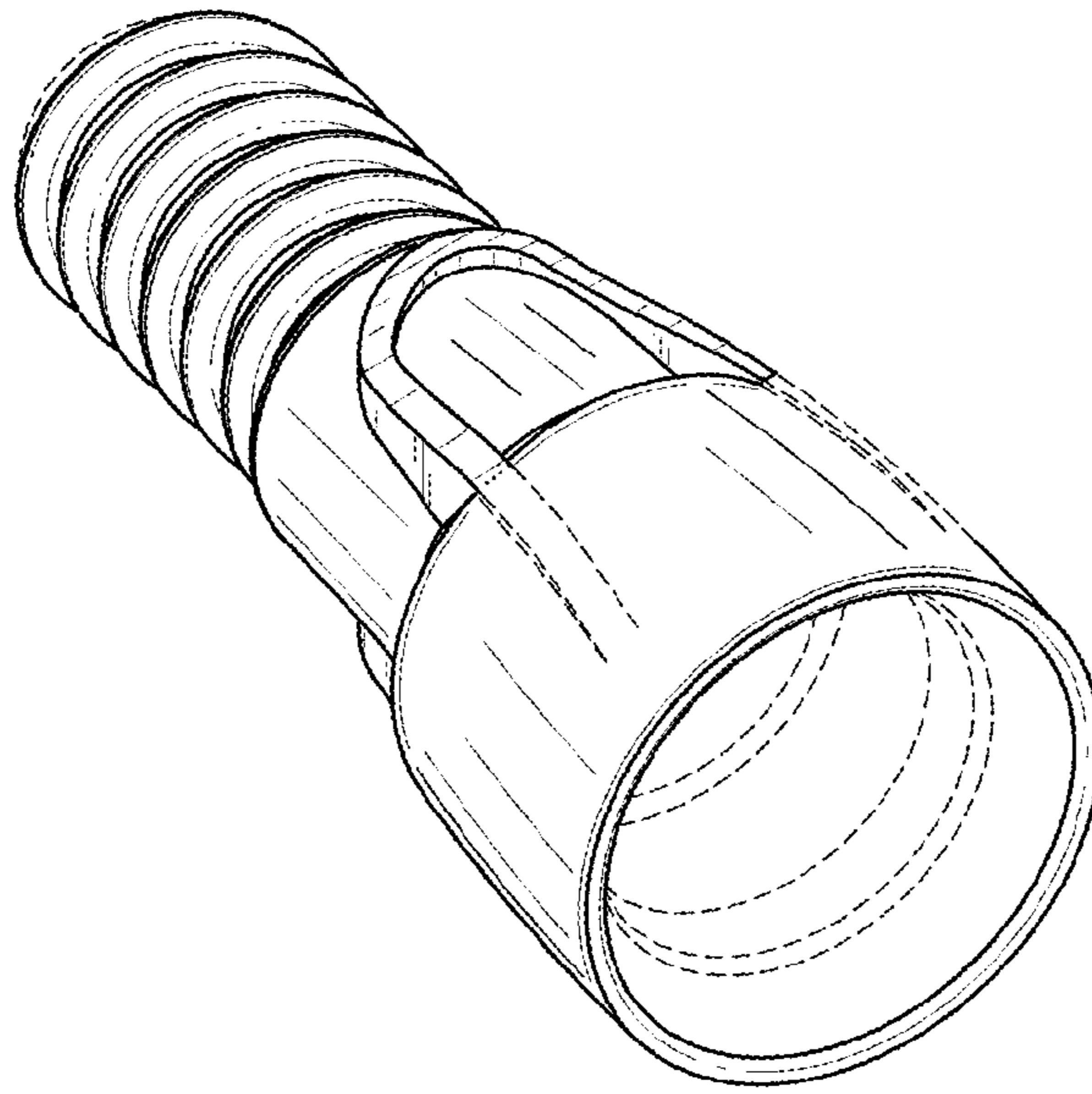


FIG. 1

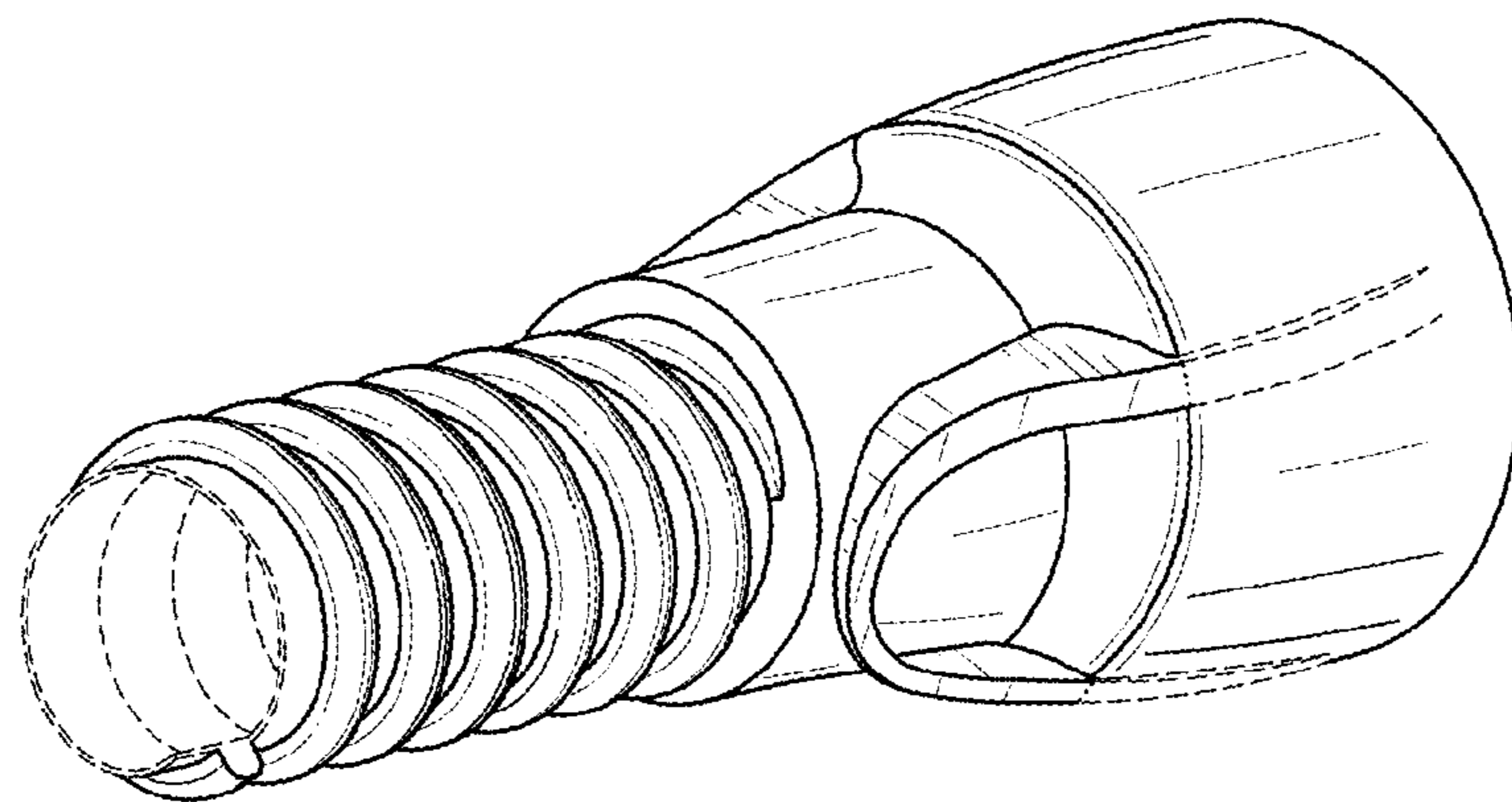


FIG. 2

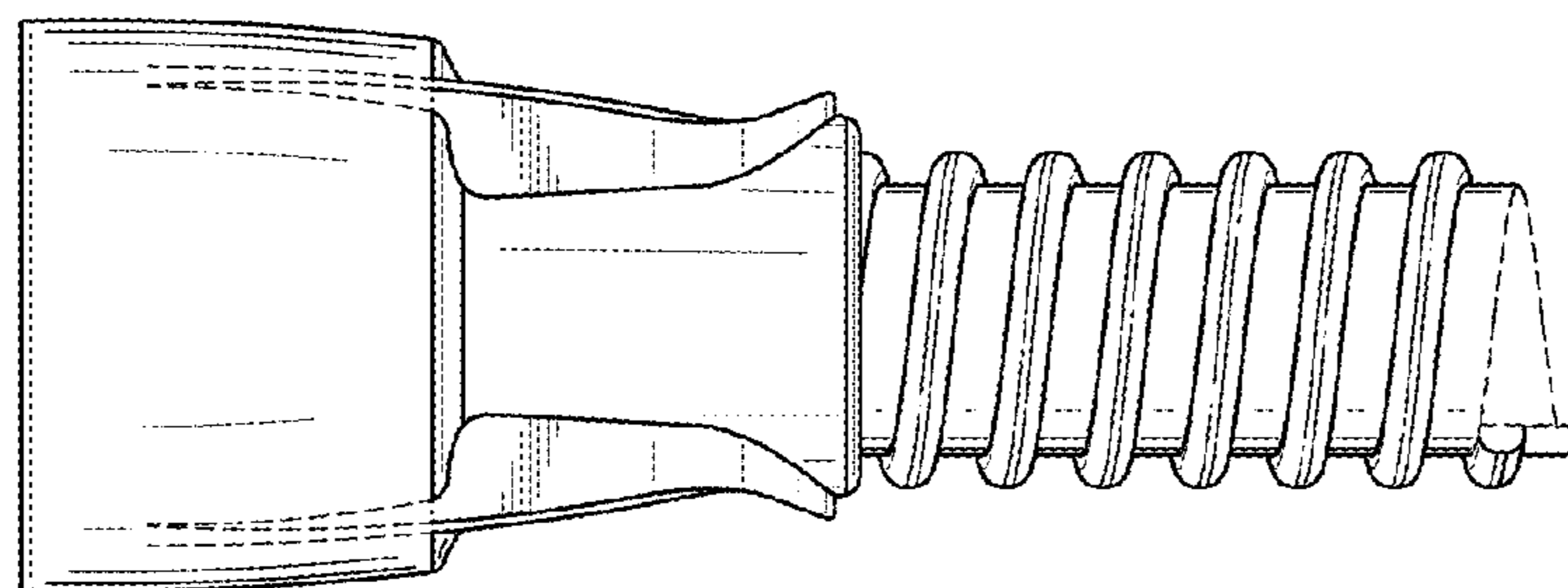


FIG. 3

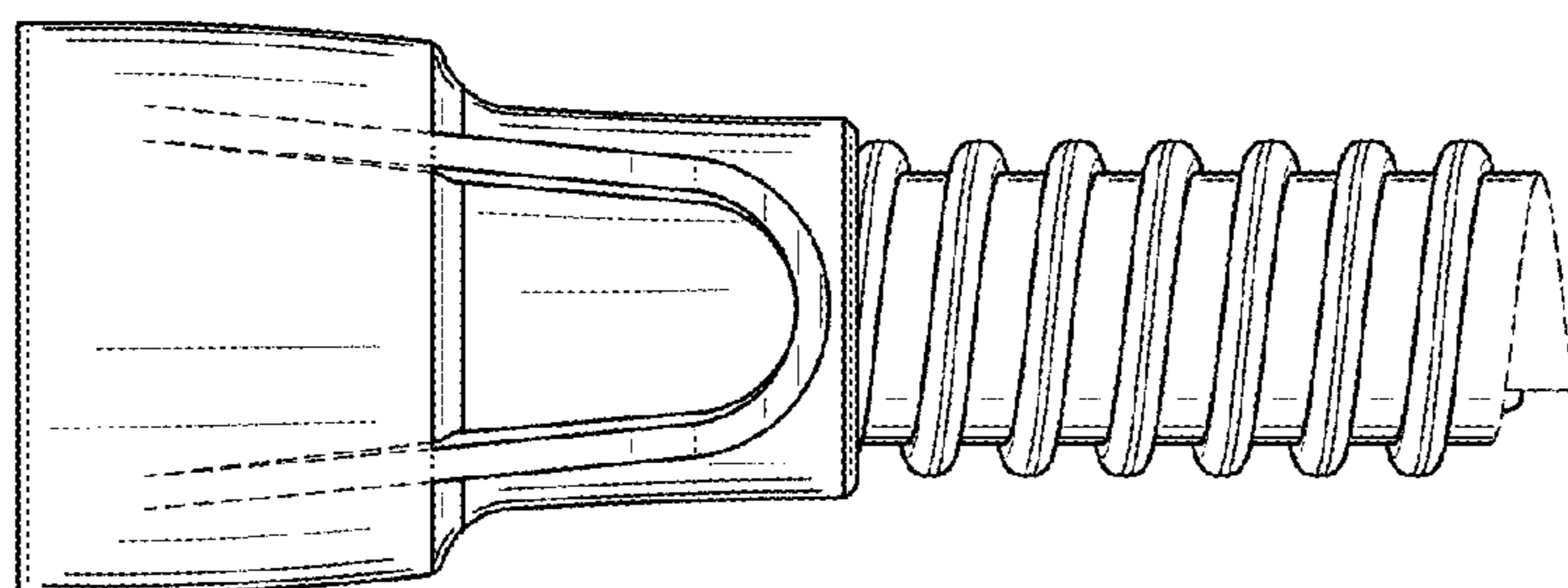


FIG. 4

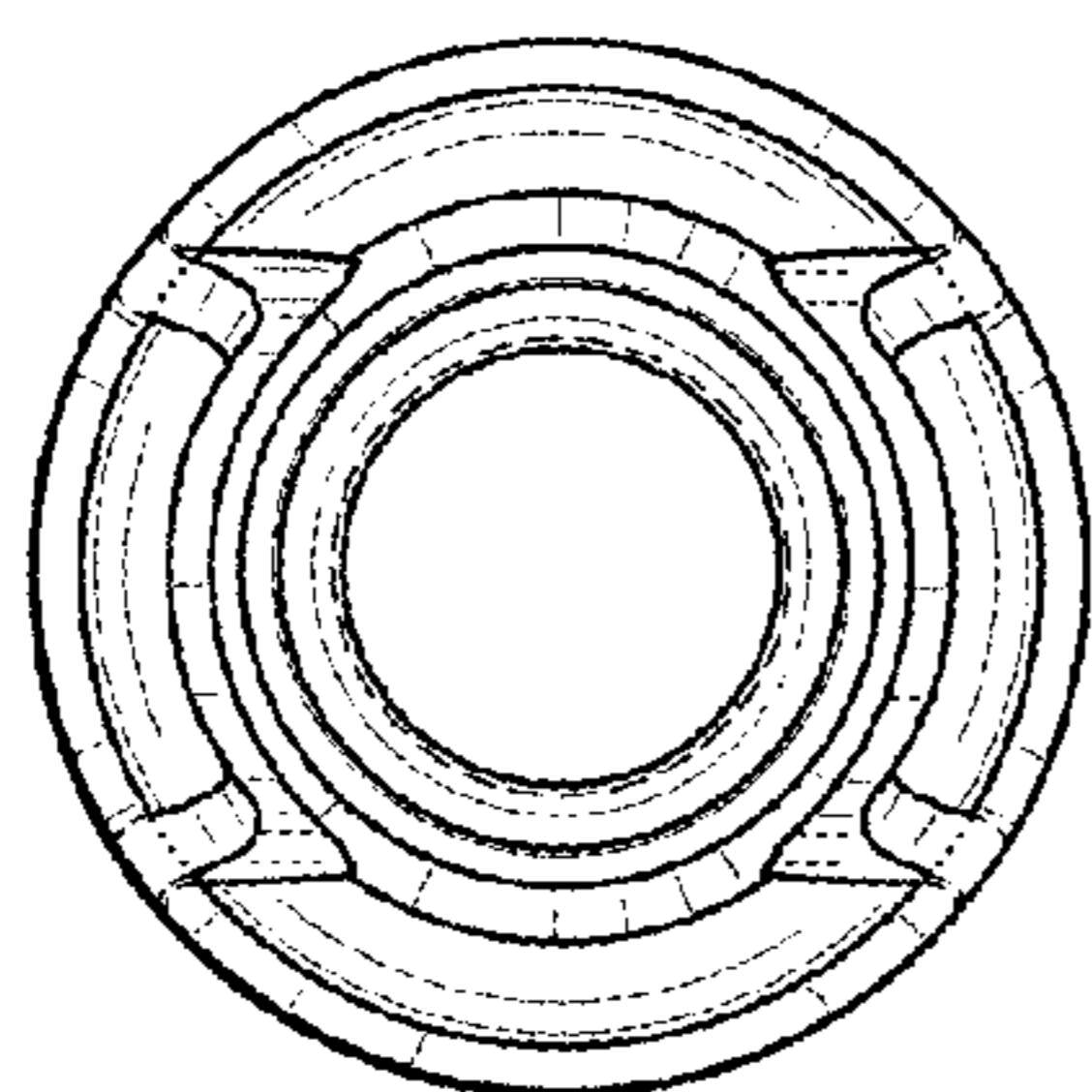


FIG. 5

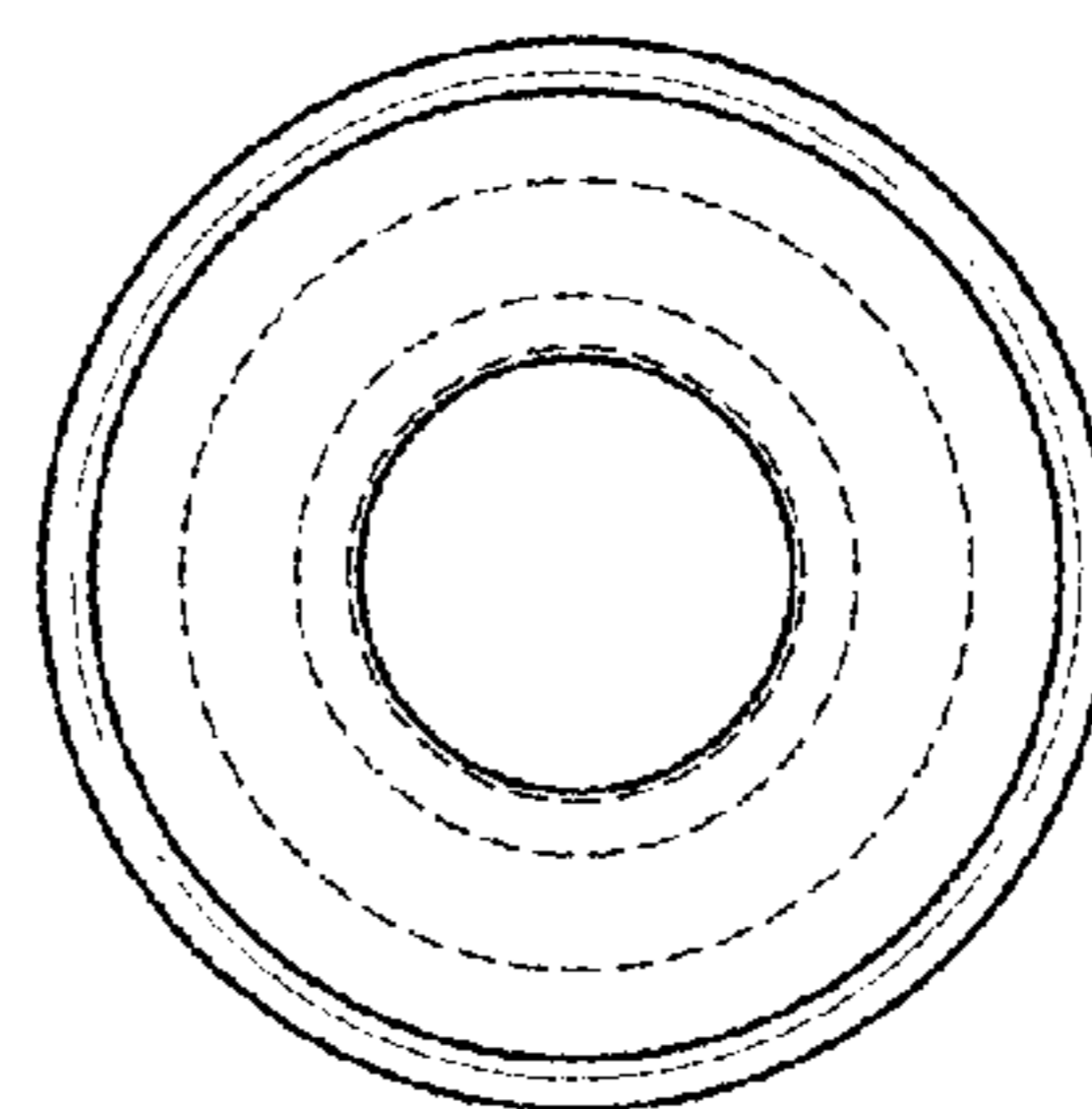


FIG. 6

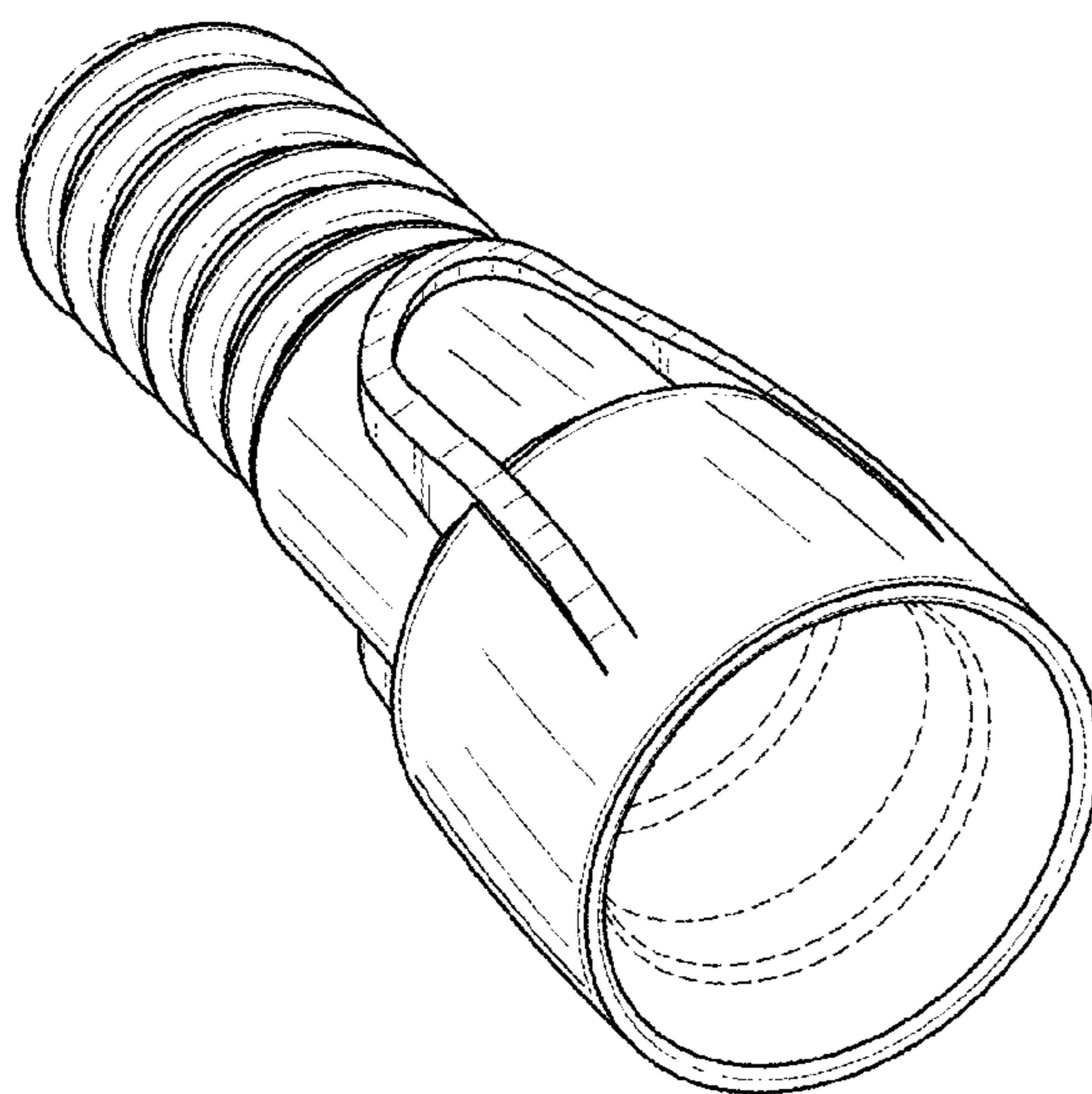


FIG. 7

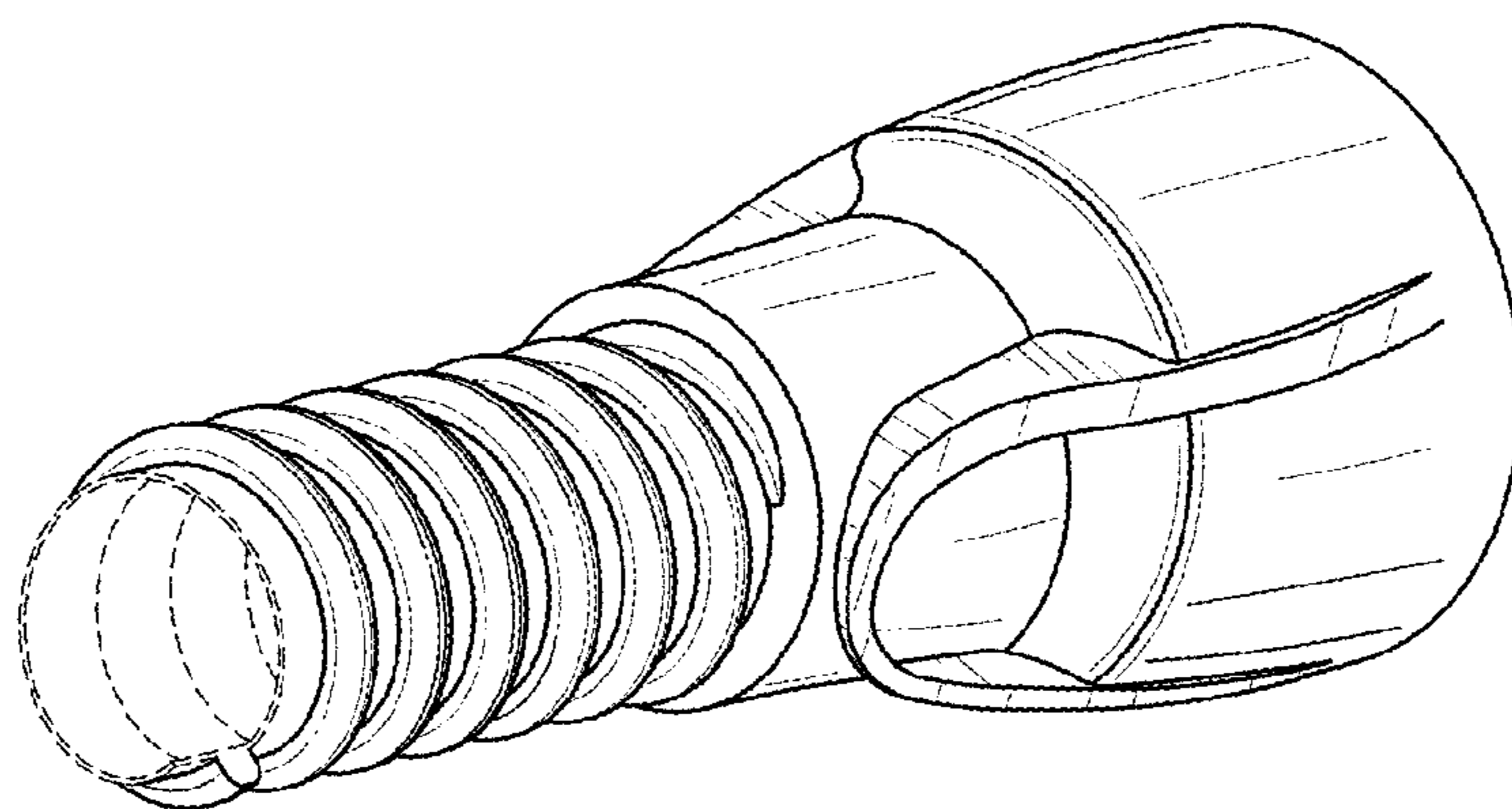


FIG. 8

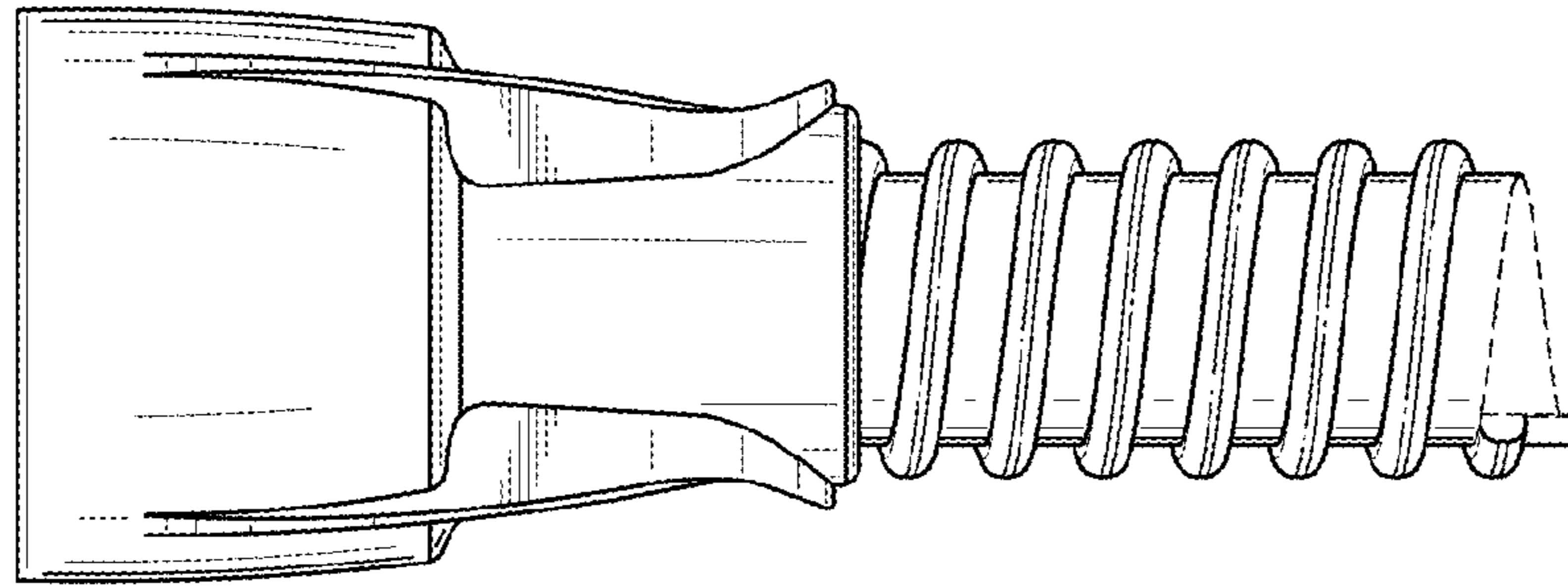


FIG. 9

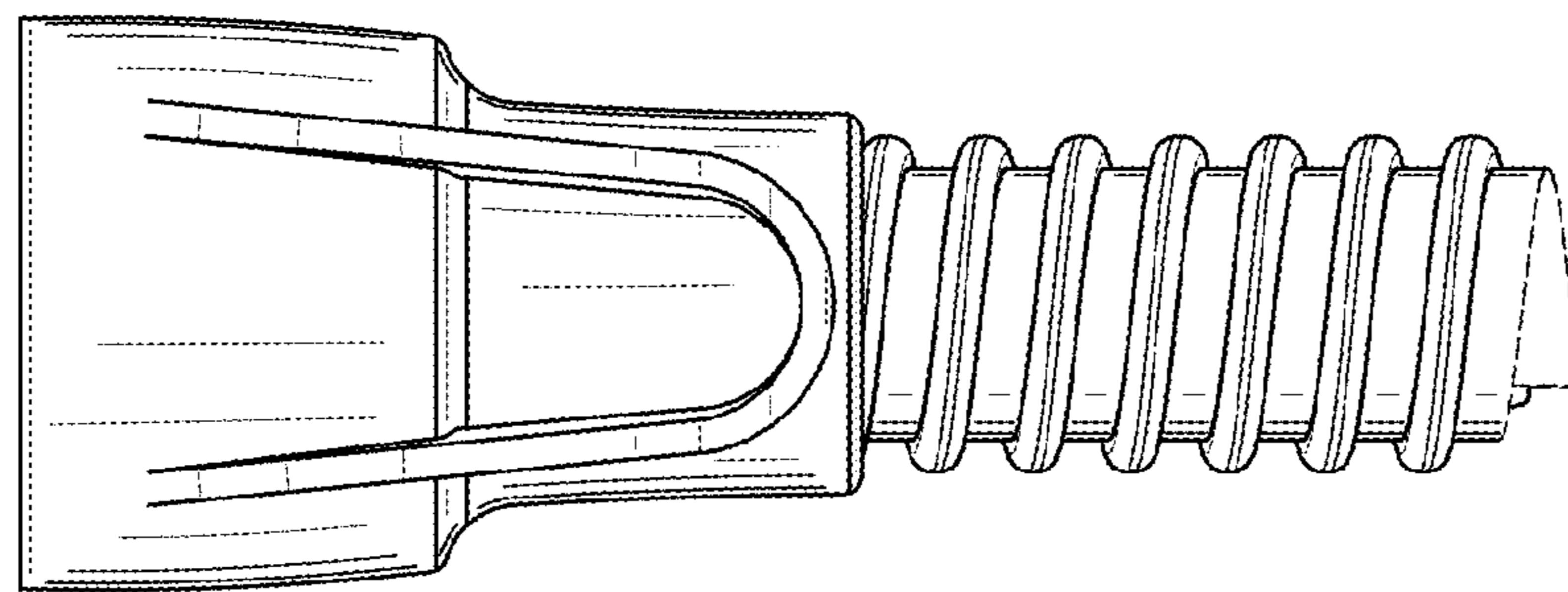


FIG. 10

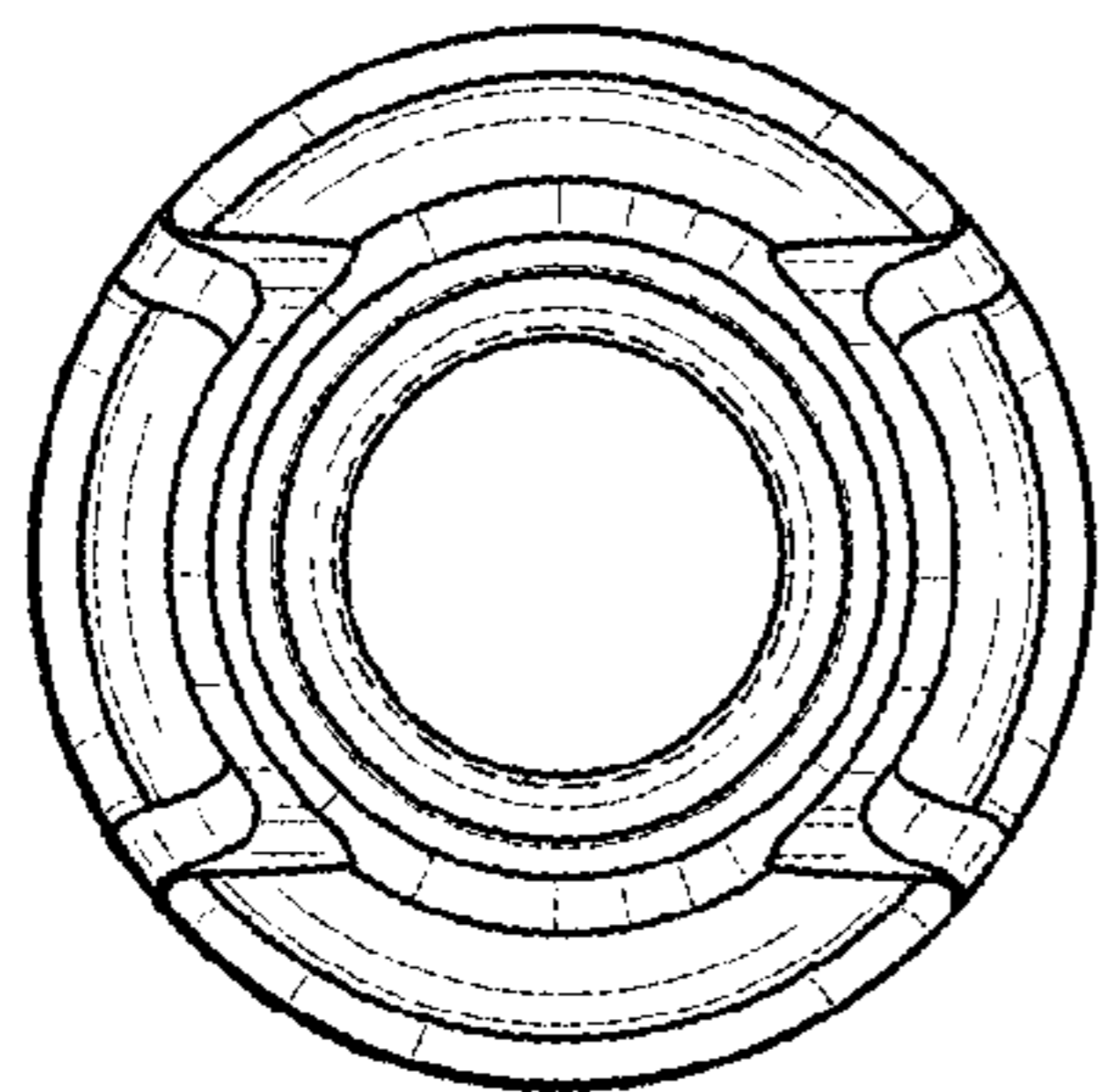


FIG. 11

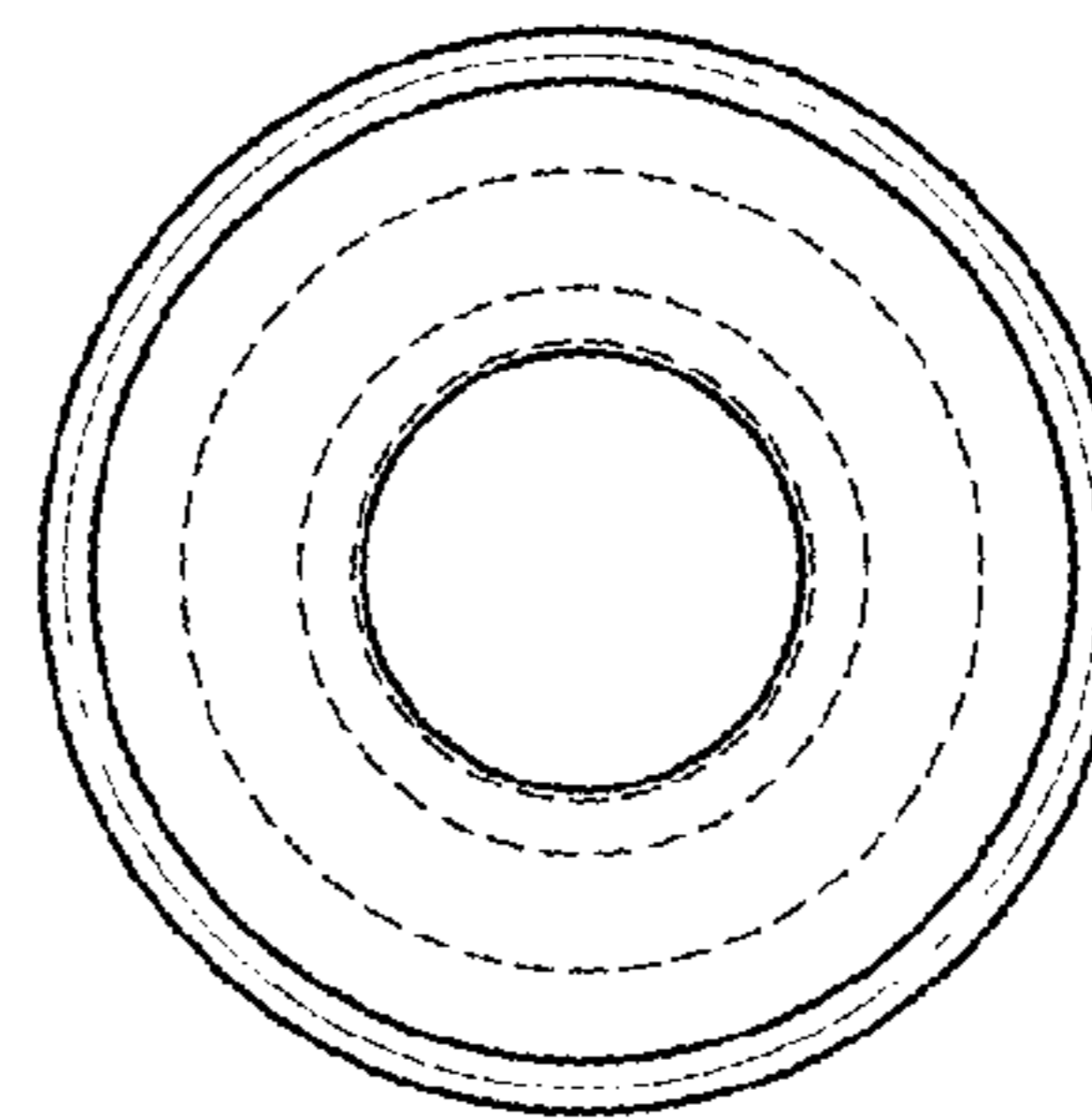


FIG. 12

UNITED STATES PATENT AND TRADEMARK OFFICE
CERTIFICATE OF CORRECTION

PATENT NO. : D742,508 S
APPLICATION NO. : 29/460608
DATED : November 3, 2015
INVENTOR(S) : Nathan John Row et al.

Page 1 of 1

It is certified that error appears in the above-identified patent and that said Letters Patent is hereby corrected as shown below:

On the title page insert item (60),

--Related U.S. Application Data

(60) Continuation of application No. 12/461,967, filed August 28, 2009.--

Signed and Sealed this
Third Day of May, 2016



Michelle K. Lee
Director of the United States Patent and Trademark Office