



US00D742507S

(12) **United States Design Patent**
Miller et al.

(10) **Patent No.:** **US D742,507 S**
(45) **Date of Patent:** **** Nov. 3, 2015**

(54) **SENSOR WITH CONNECTOR FOR RESIRATORY CIRCUIT**

D673,674 S * 1/2013 Ho D24/129
D691,717 S * 10/2013 McLean et al. D24/129

(Continued)

(71) Applicant: **Intersurgical AG**, Vaduz (LI)

FOREIGN PATENT DOCUMENTS

(72) Inventors: **Andrew Neil Miller**, Wokingham (GB);
Matthew Turner, Wokingham (GB)

EP 1 374 940 A2 1/2004
GB 2 272 296 A 5/1994

(73) Assignee: **Intersurgical AG**, Vaduz (LI)

(Continued)

(**) Term: **14 Years**

Primary Examiner — David Muller
Assistant Examiner — Nathan Johnston

(21) Appl. No.: **29/448,949**

(74) *Attorney, Agent, or Firm* — LeClairRyan, a Professional Corporation

(22) Filed: **Mar. 14, 2013**

(57) **CLAIM**

(30) **Foreign Application Priority Data**

The ornamental design for a sensor with connector for respiratory circuit, as shown and described.

Jan. 22, 2013 (EM) 002170654

DESCRIPTION

(51) **LOC (10) Cl.** **24-02**

(52) **U.S. Cl.**

USPC **D24/129**

(58) **Field of Classification Search**

USPC D24/127–131, 112–114, 133, 18, 110;
606/181, 185; 604/264, 272, 115, 232,
604/187, 158, 164.08, 192, 263, 163, 181,
604/184, 198, 227; 600/101, 139, 143;
128/200.24, 207.14, 207.15

See application file for complete search history.

FIG. 1 is a front view of a sensor for respiratory circuit, as installed within a port of a connector that is connectable to a respiratory circuit.

FIG. 2 is a left elevation view thereof; respiratory circuit shown in FIG. 6.

FIG. 3 is a right elevation view thereof;

FIG. 4 is a rear elevation view thereof;

FIG. 5 is a top plan view thereof;

FIG. 6 is a bottom plan view thereof;

FIG. 7 is a rear perspective view thereof.

FIG. 8 is a front elevation view of the sensor for respiratory circuit shown in FIG. 1, the rear elevation view being a mirror image.

FIG. 9 is a right side elevation view thereof, the left side elevation view being a mirror image;

FIG. 10 is a top plan view thereof;

FIG. 11 is a bottom plan view thereof; and,

FIG. 12 is a perspective view thereof.

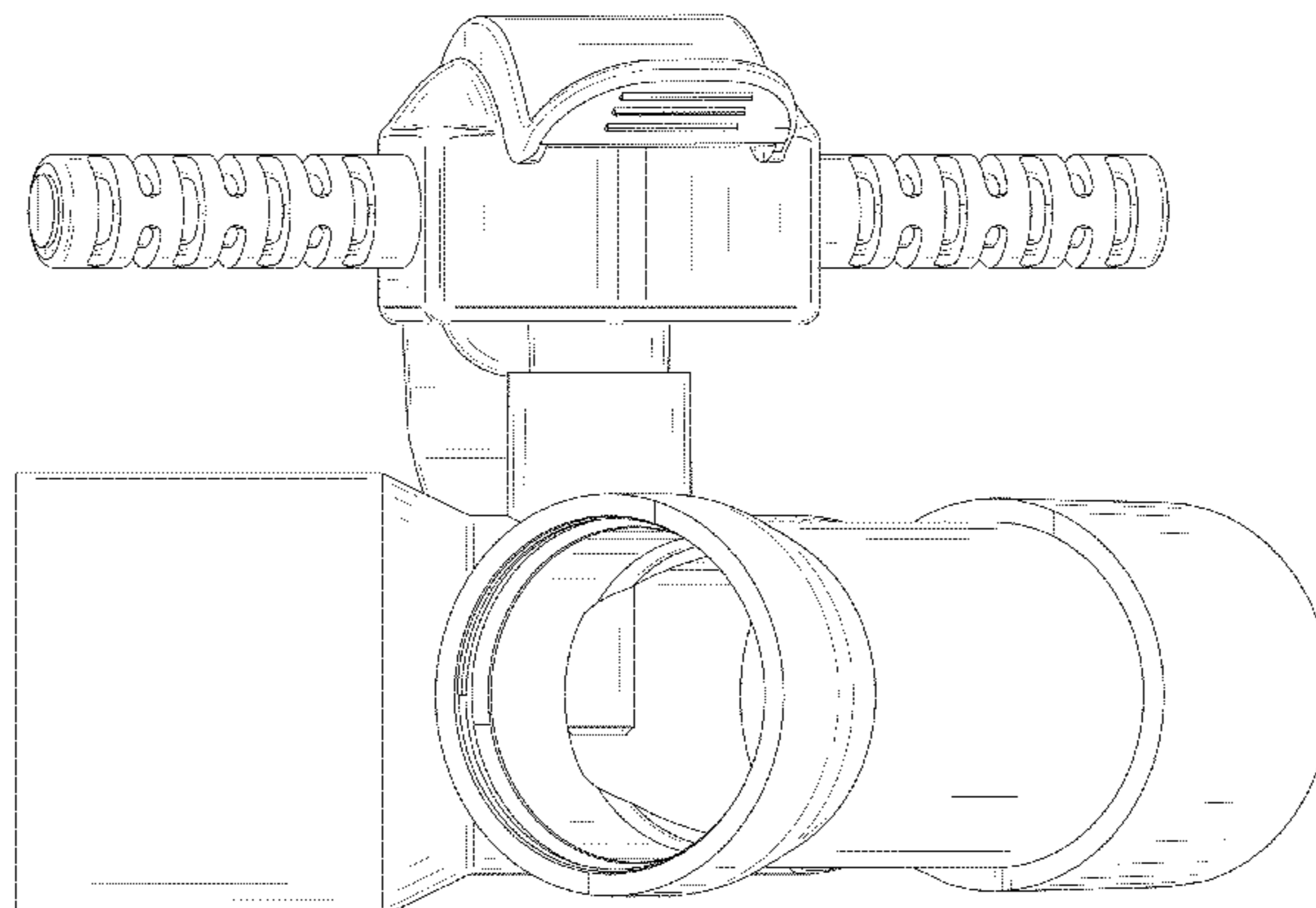
The broken line showing of parts of the drawings is included for the purpose of illustrating environment and forms no part of the claimed design.

(56) **References Cited**

U.S. PATENT DOCUMENTS

D304,079 S * 10/1989 McFarlane D24/112
D329,495 S * 9/1992 Kotake D24/129
6,245,048 B1 * 6/2001 Fangrow et al. 604/249
D449,107 S * 10/2001 Madsen et al. D24/129
D483,487 S * 12/2003 Harding et al. D24/129
D495,417 S * 8/2004 Doelling et al. D24/133
D519,632 S * 4/2006 Bayron et al. D24/110.6
7,291,131 B2 * 11/2007 Call 604/187
7,857,008 B2 * 12/2010 Chen 138/109
7,988,664 B2 * 8/2011 Fiser et al. 604/110
D672,037 S 12/2012 Miller

1 Claim, 11 Drawing Sheets



(56)

References Cited

FOREIGN PATENT DOCUMENTS

U.S. PATENT DOCUMENTS

2004/0060558 A1 4/2004 Gradon et al.
2009/0282896 A1 11/2009 Tappehorn et al.
2013/0150807 A1* 6/2013 Hamuro et al. 604/264

GB 2 488 244 A 8/2012
JP 2004033788 A 2/2004
WO 2004/108218 A1 12/2004

* cited by examiner

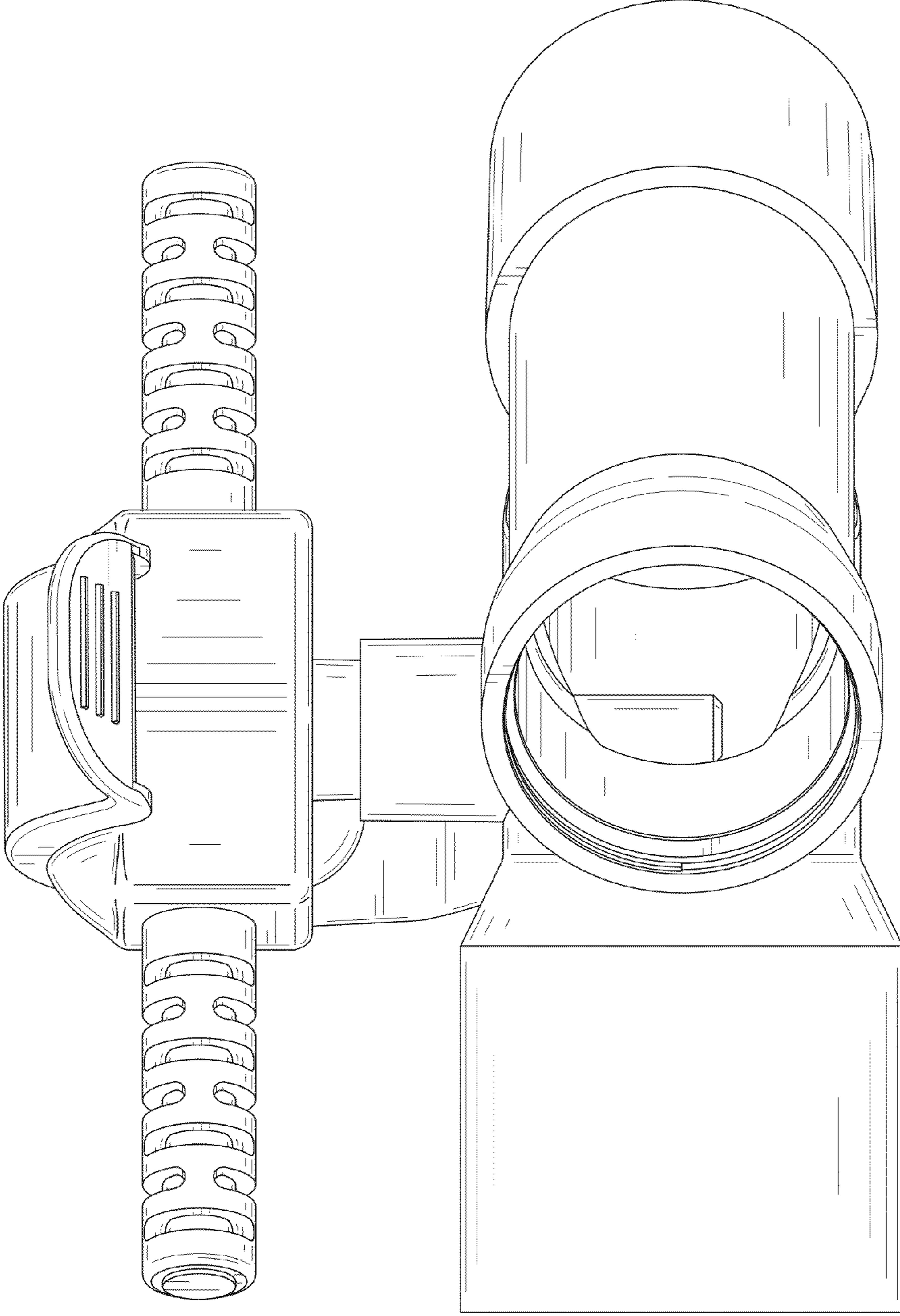


FIG. 1

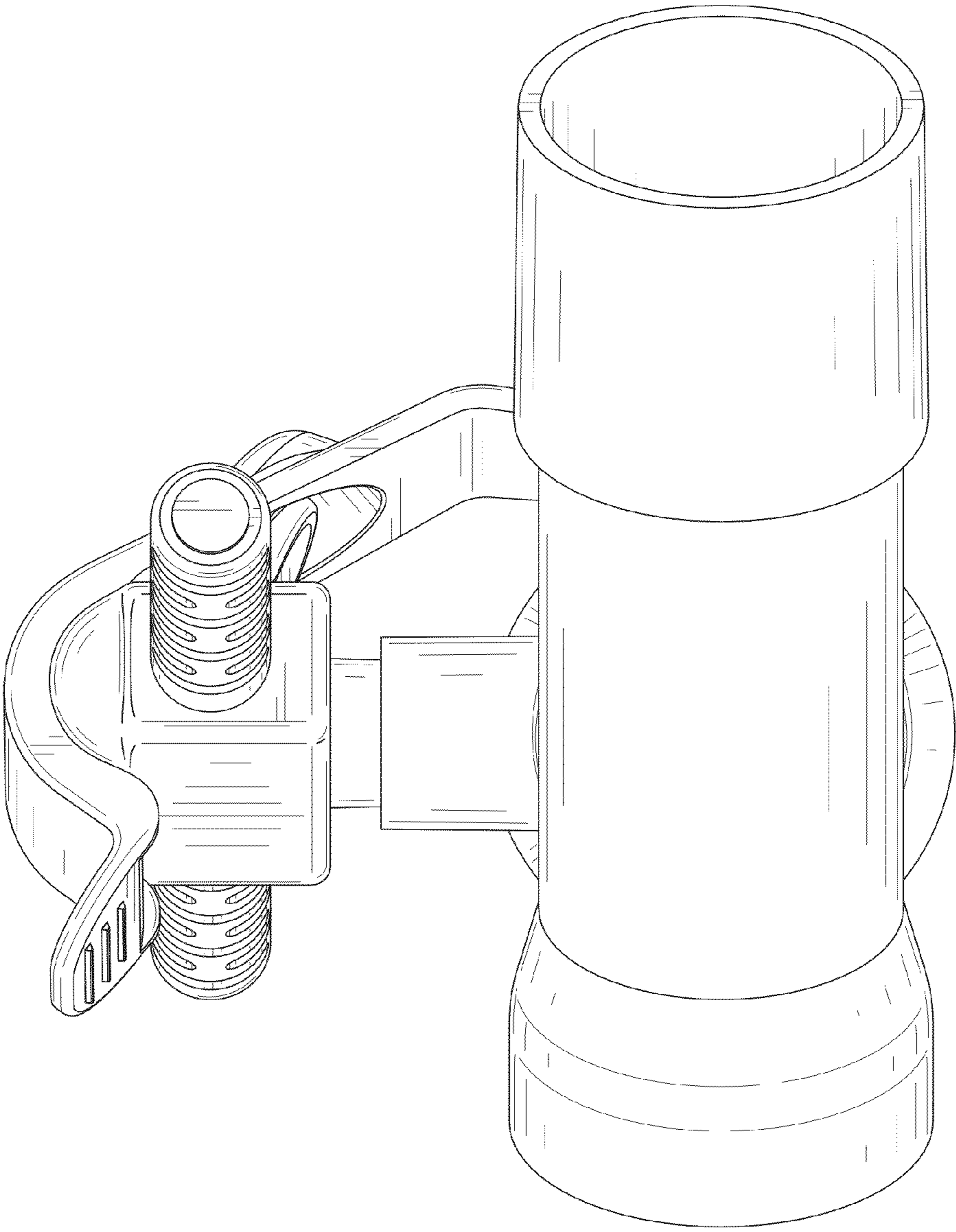


FIG. 2

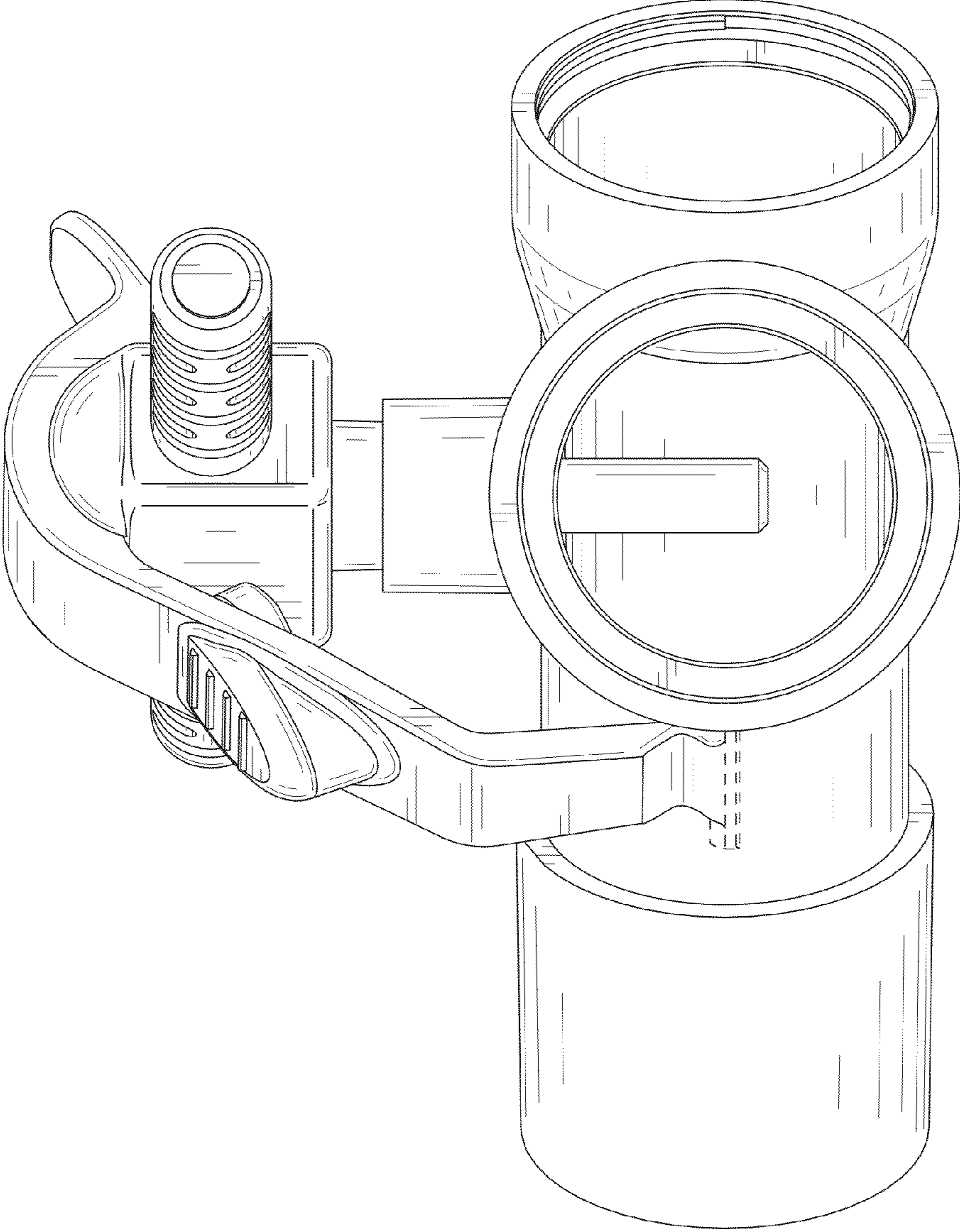


FIG. 3

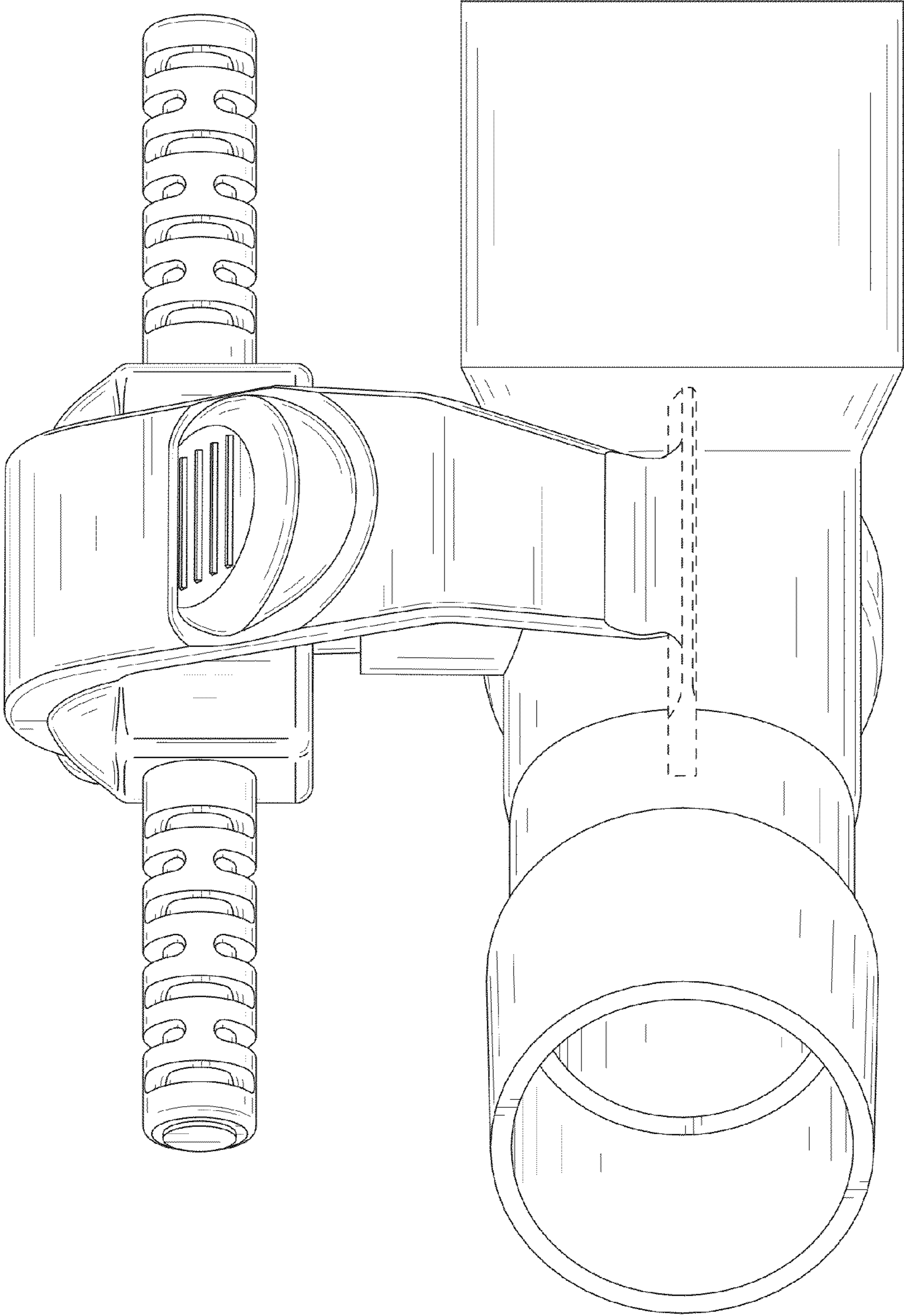


FIG. 4

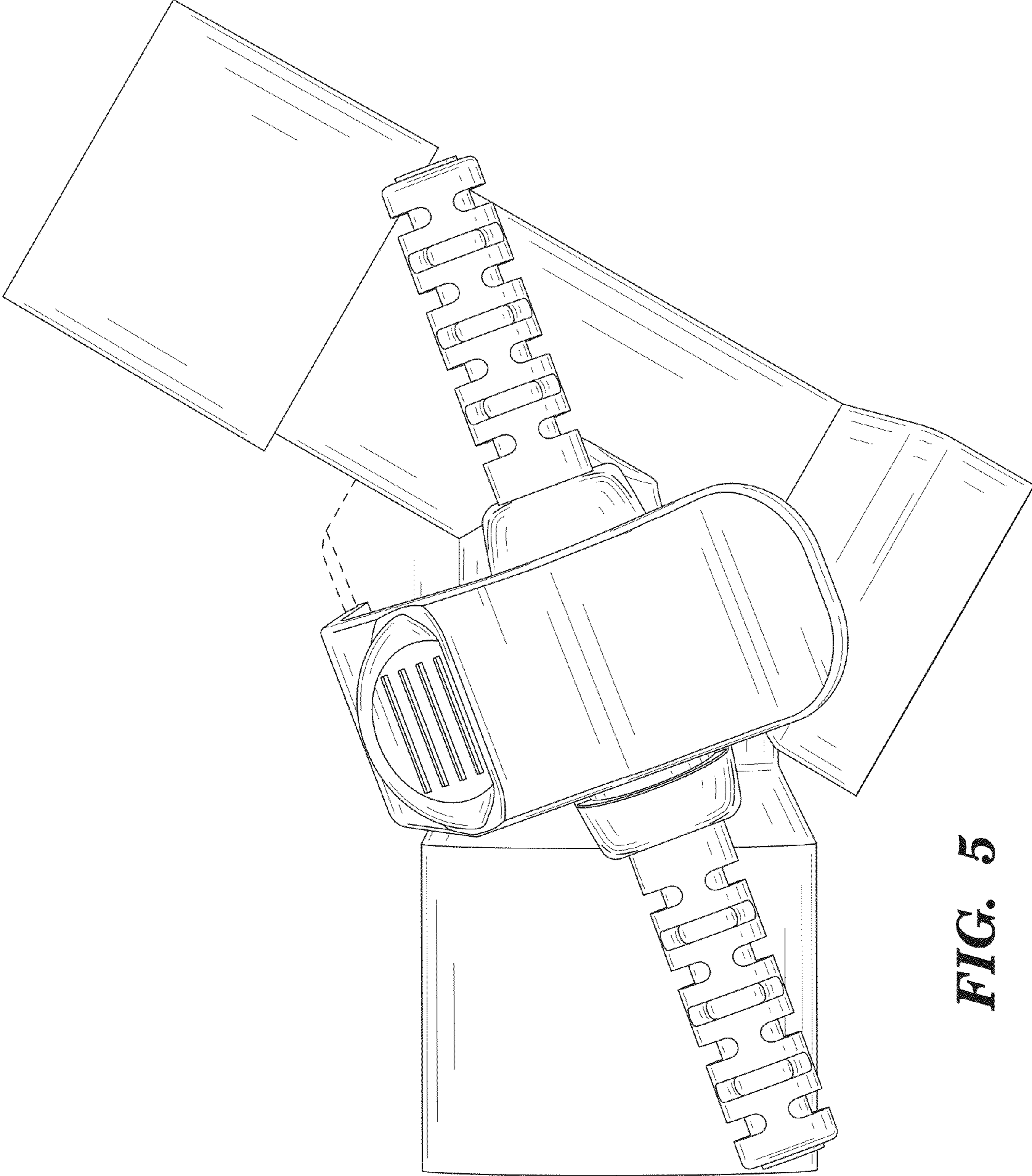


FIG. 5

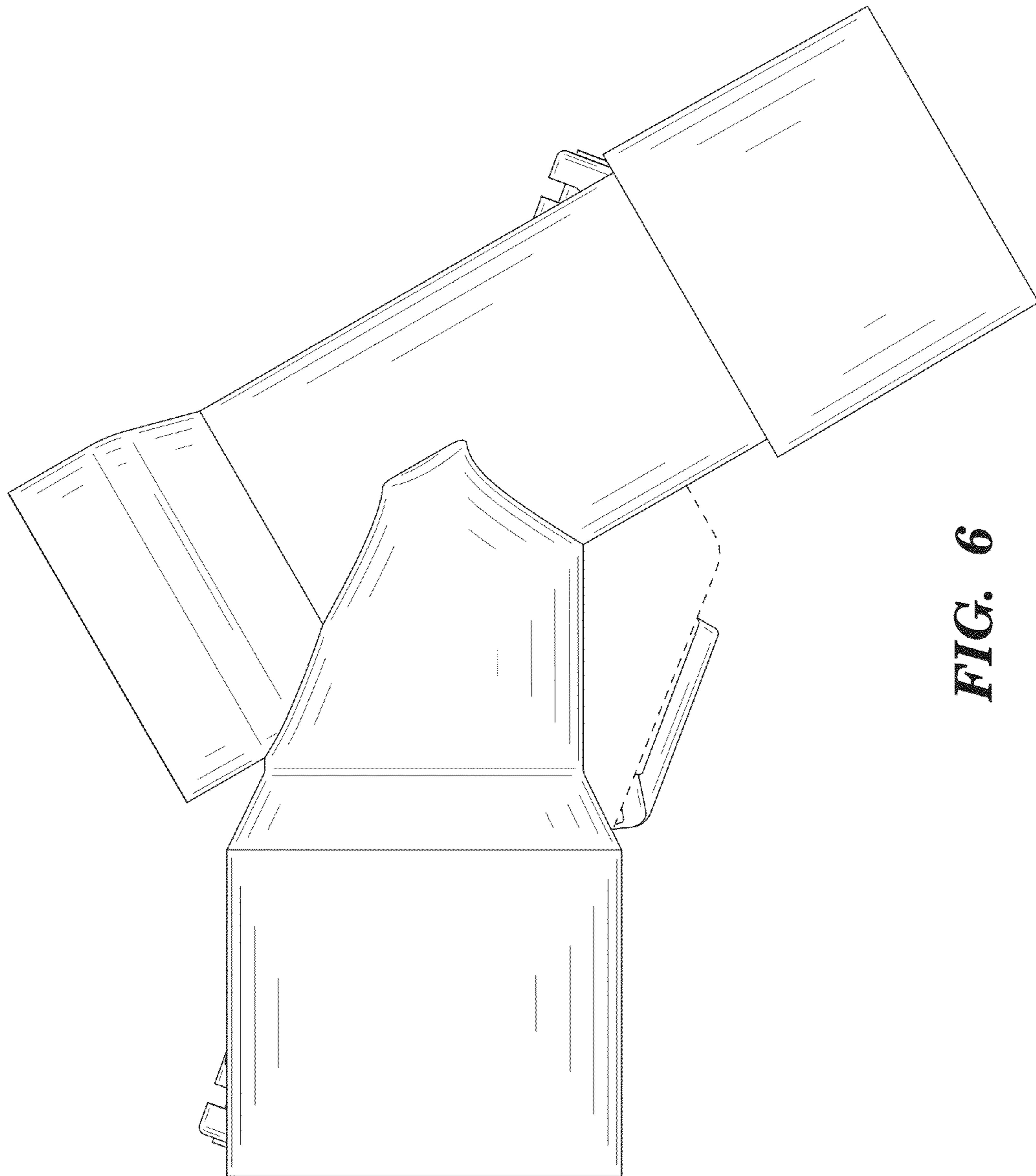


FIG. 6

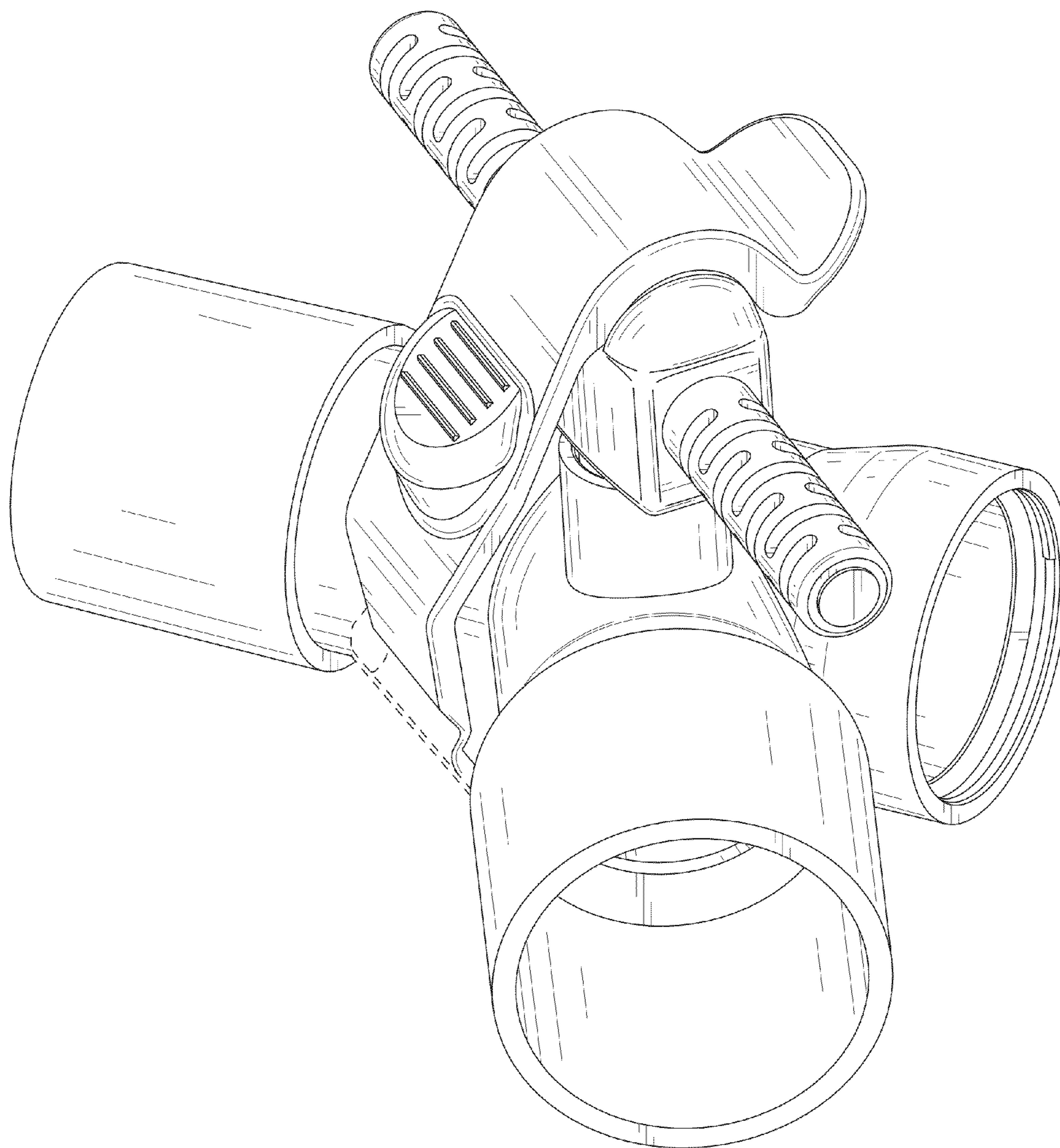


FIG. 7

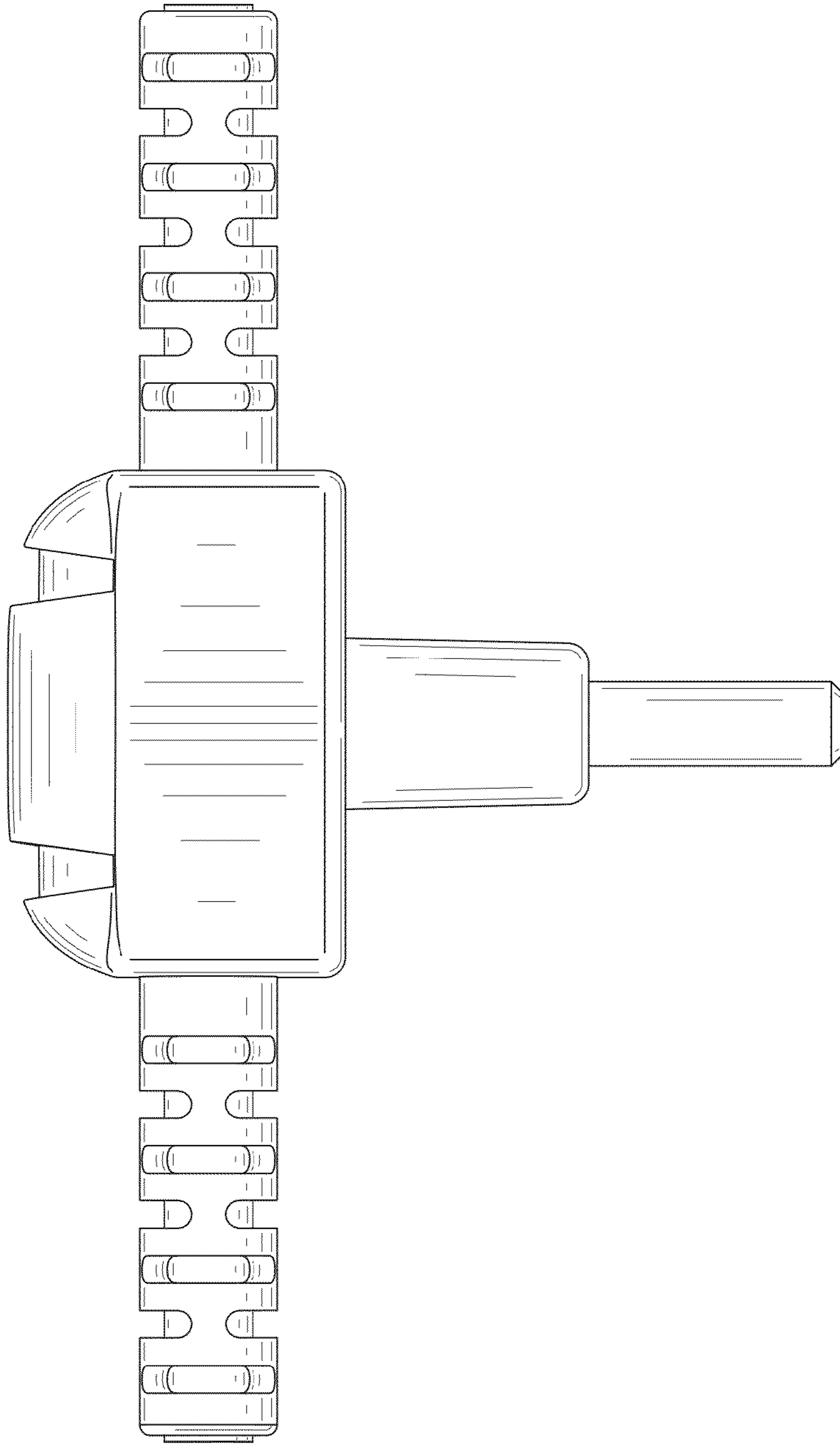


FIG. 8

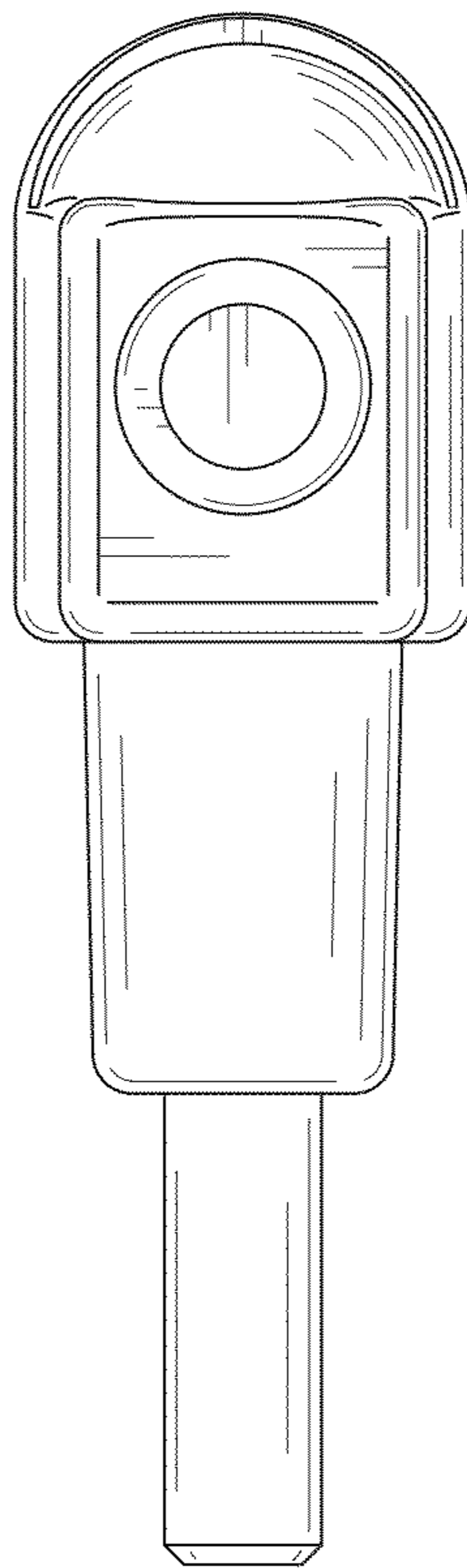


FIG. 9

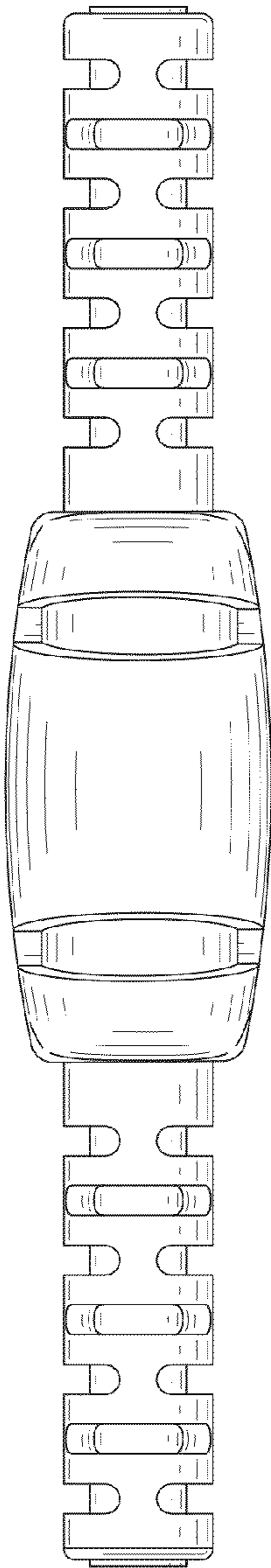


FIG. 10

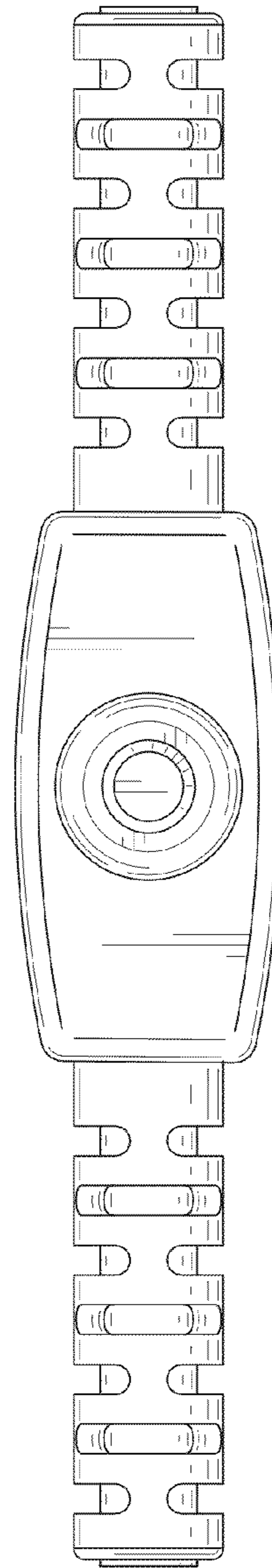


FIG. 11

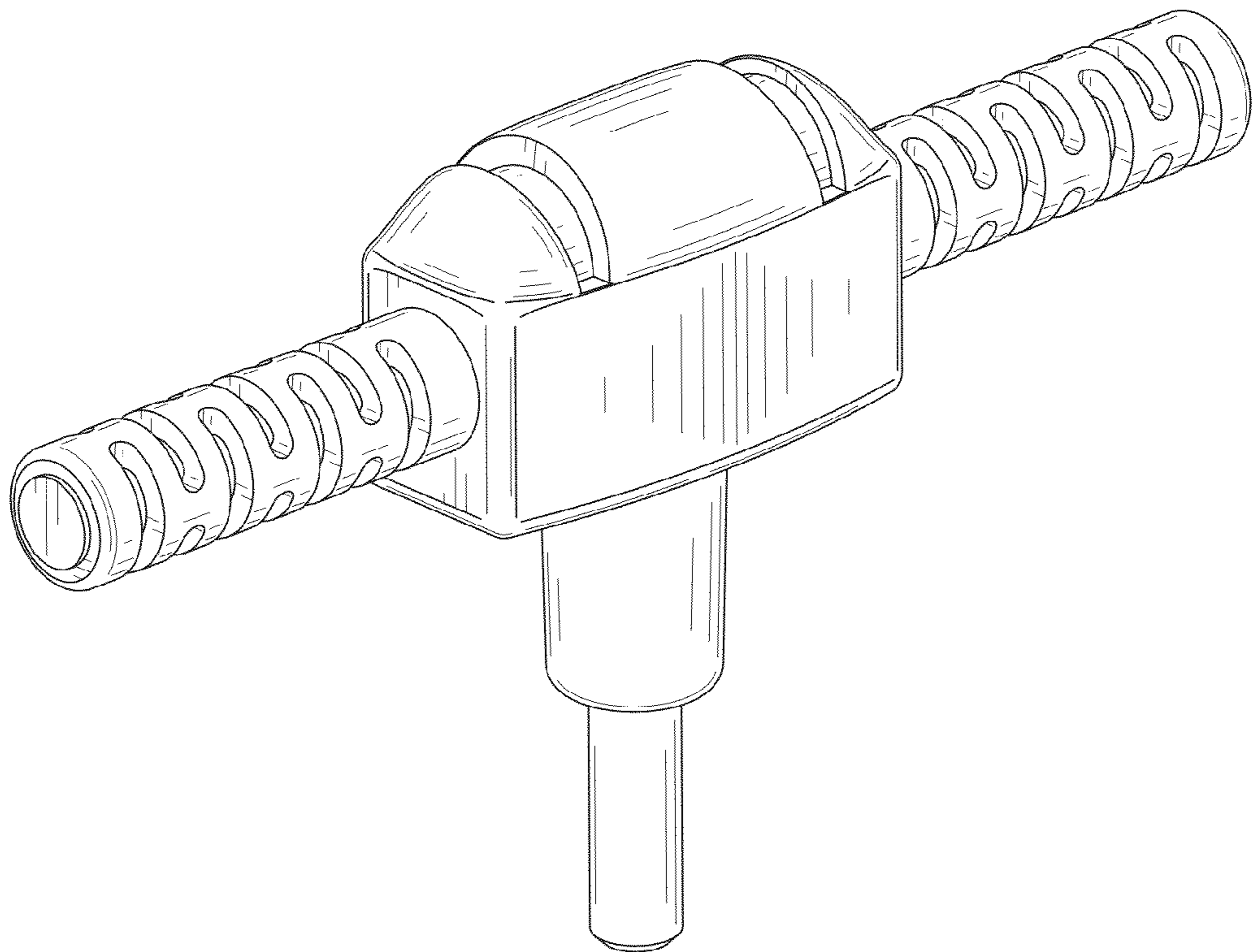


FIG. 12

UNITED STATES PATENT AND TRADEMARK OFFICE
CERTIFICATE OF CORRECTION

PATENT NO. : D742,507 S
APPLICATION NO. : 29/448949
DATED : November 3, 2015
INVENTOR(S) : Andrew Neil Miller and Matthew Turner

Page 1 of 1

It is certified that error appears in the above-identified patent and that said Letters Patent is hereby corrected as shown below:

In the title appearing on the title page at item (54), delete "RESIRATORY" and insert in its place
--RESPIRATORY--.

Signed and Sealed this
Seventh Day of June, 2016



Michelle K. Lee
Director of the United States Patent and Trademark Office