



US00D742499S

(12) **United States Design Patent**
Wortman et al.

(10) **Patent No.:** **US D742,499 S**
(45) **Date of Patent:** **** Nov. 3, 2015**

- (54) **END CAP FOR A LOUVER OF A HEATER**
- (71) Applicant: **Detroit Radiant Products Co.**, Warren, MI (US)
- (72) Inventors: **Joseph A. Wortman**, St. Clair Shores, MI (US); **Thomas Martelle**, Shelby Township, MI (US); **Kevin Blissett**, Lenox Township, MI (US); **Kenneth Bachorski**, Warren, MI (US)
- (73) Assignee: **DETROIT RADIANT PRODUCTS CO.**, Warren, MI (US)
- (**) Term: **14 Years**
- (21) Appl. No.: **29/481,100**
- (22) Filed: **Jan. 31, 2014**
- (51) **LOC (10) Cl.** **23-04**
- (52) **U.S. Cl.**
USPC **D23/386**
- (58) **Field of Classification Search**
USPC D23/328, 341, 370, 379, 386, 392, 411, D23/413; 49/74.1, 92.1, 403; 160/236, 396, 160/401; 454/224, 234, 339, 347
See application file for complete search history.

2008/0245489 A1* 10/2008 Chuang et al. 160/236
2011/0078955 A1* 4/2011 Huang 49/92.1

* cited by examiner

Primary Examiner — Susan Bennett Hattan
Assistant Examiner — Leanne Was
(74) *Attorney, Agent, or Firm* — Howard & Howard Attorneys PLLC

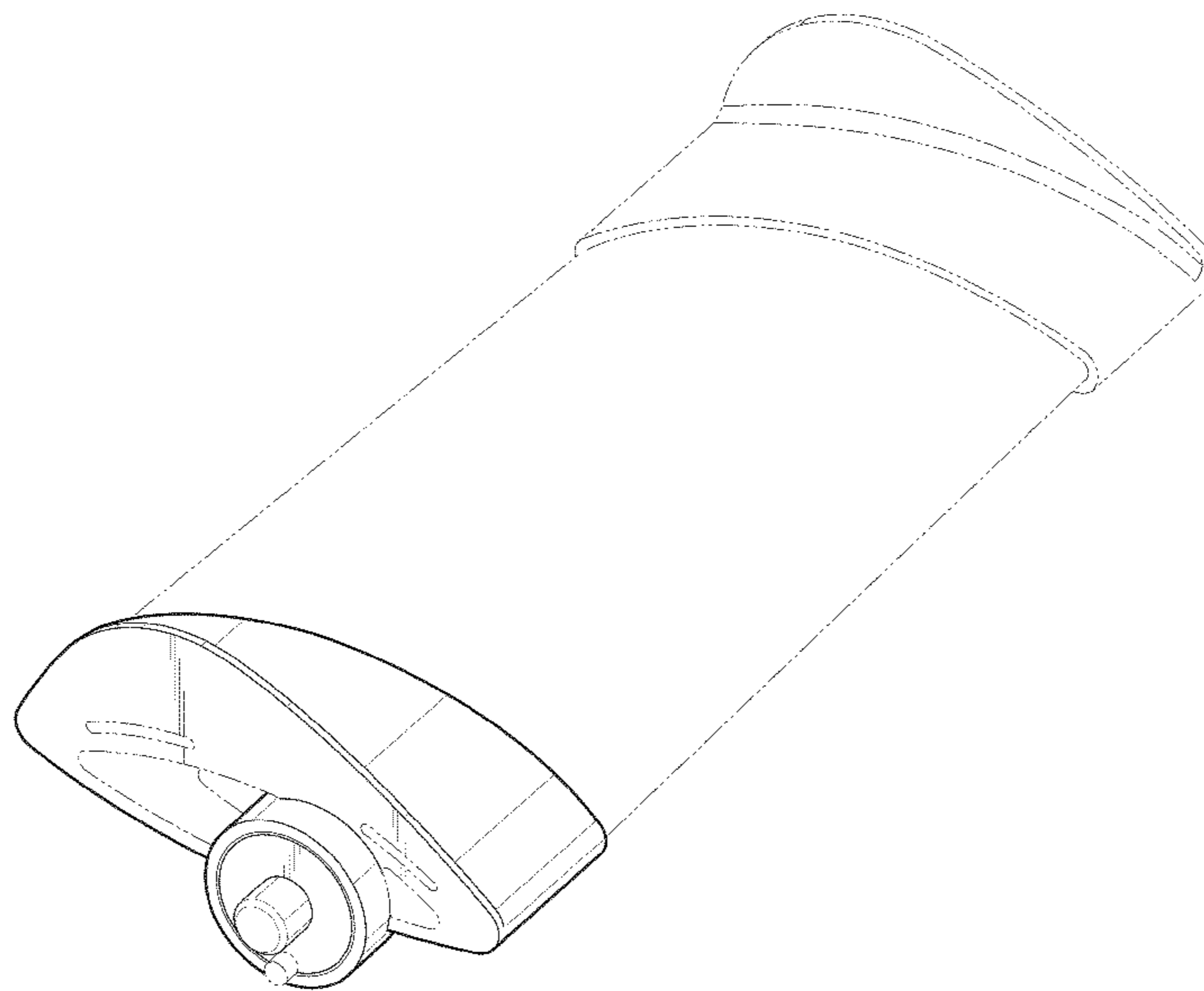
(57) **CLAIM**
We claim the ornamental design for an end cap for a louver of a heater, as shown herein.

DESCRIPTION

FIG. 1 is a perspective view of an end cap for a louver of a heater with the louver, a peg of the end cap, and cutouts of the end cap shown in broken lines that form no part of the claimed invention;
FIG. 2 is another perspective view of the end cap of FIG. 1 with a lock washer shown in broken lines that form no part of the claimed invention;
FIG. 3 is a front view of the end cap of FIG. 1 with the peg and cutouts shown in broken lines that form no part of the claimed invention;
FIG. 4 is a right side view of the end cap of FIG. 1 with the peg and the lock washer shown in broken lines that form no part of the claimed invention;
FIG. 5 is a rear view of the end cap of FIG. 1 with the lock washer and the cutouts shown in broken lines that form no part of the claimed invention;
FIG. 6 is a left side view of the end cap of FIG. 1 with the peg and the lock washer shown in broken lines that form no part of the claimed invention;
FIG. 7 is a top view of the end cap of FIG. 1; and,
FIG. 8 is a bottom view of the end cap of FIG. 1 with the peg and the lock washer shown in broken lines that form no part of the claimed invention.

1 Claim, 5 Drawing Sheets

- (56) **References Cited**
U.S. PATENT DOCUMENTS
1,358,448 A * 11/1920 Hymel 49/403
5,159,783 A * 11/1992 Rossiter 49/403
D542,934 S * 5/2007 Ohanesian D25/48.1
8,251,658 B1 * 8/2012 Diggs et al. 416/62
8,337,158 B1 * 12/2012 Liang 416/97 R
D717,936 S * 11/2014 Peterson D23/413
2001/0037603 A1 * 11/2001 Gabriele 49/74.1
2001/0037604 A1 * 11/2001 Gabriele 49/74.1



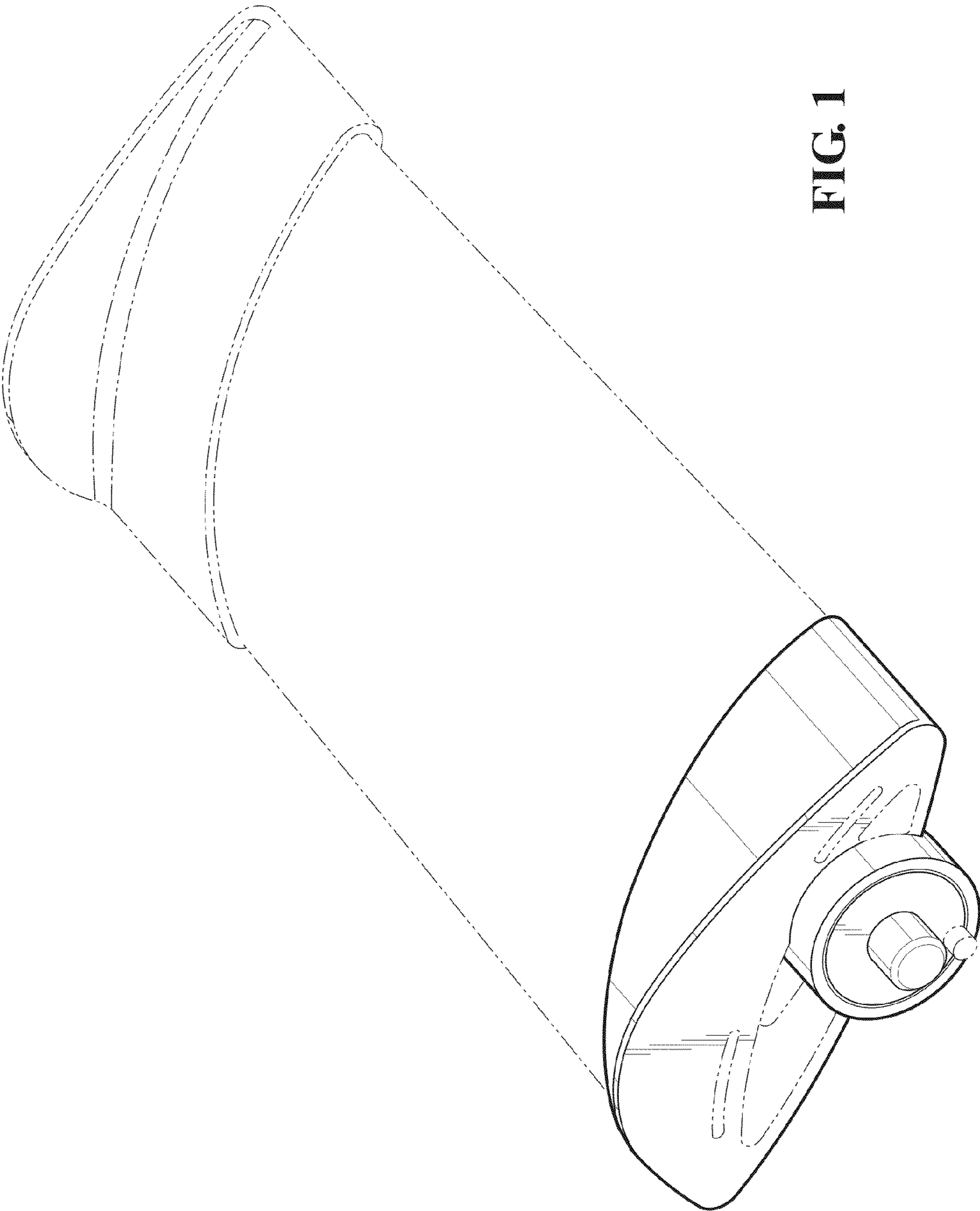


FIG. 1

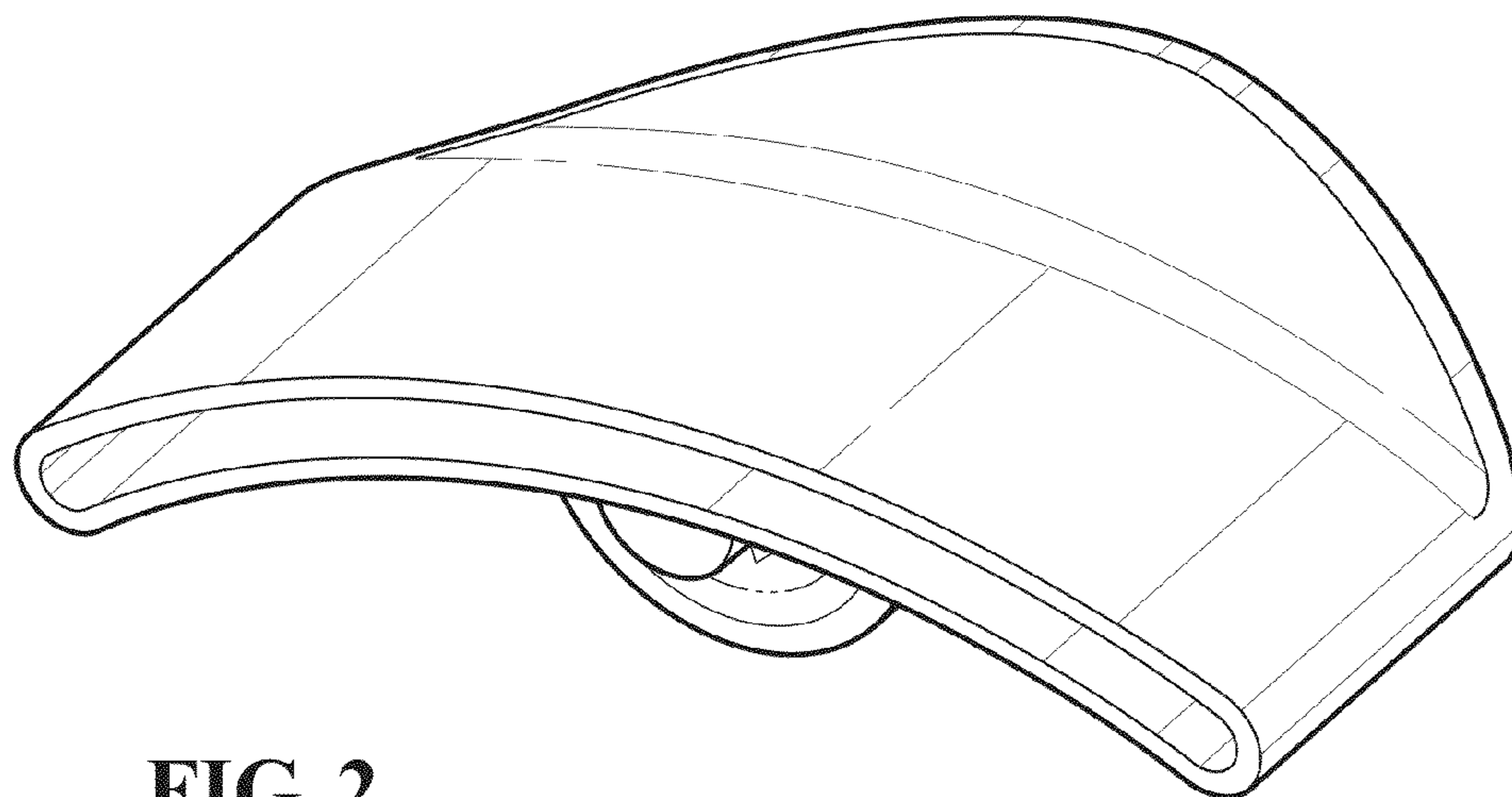


FIG. 2

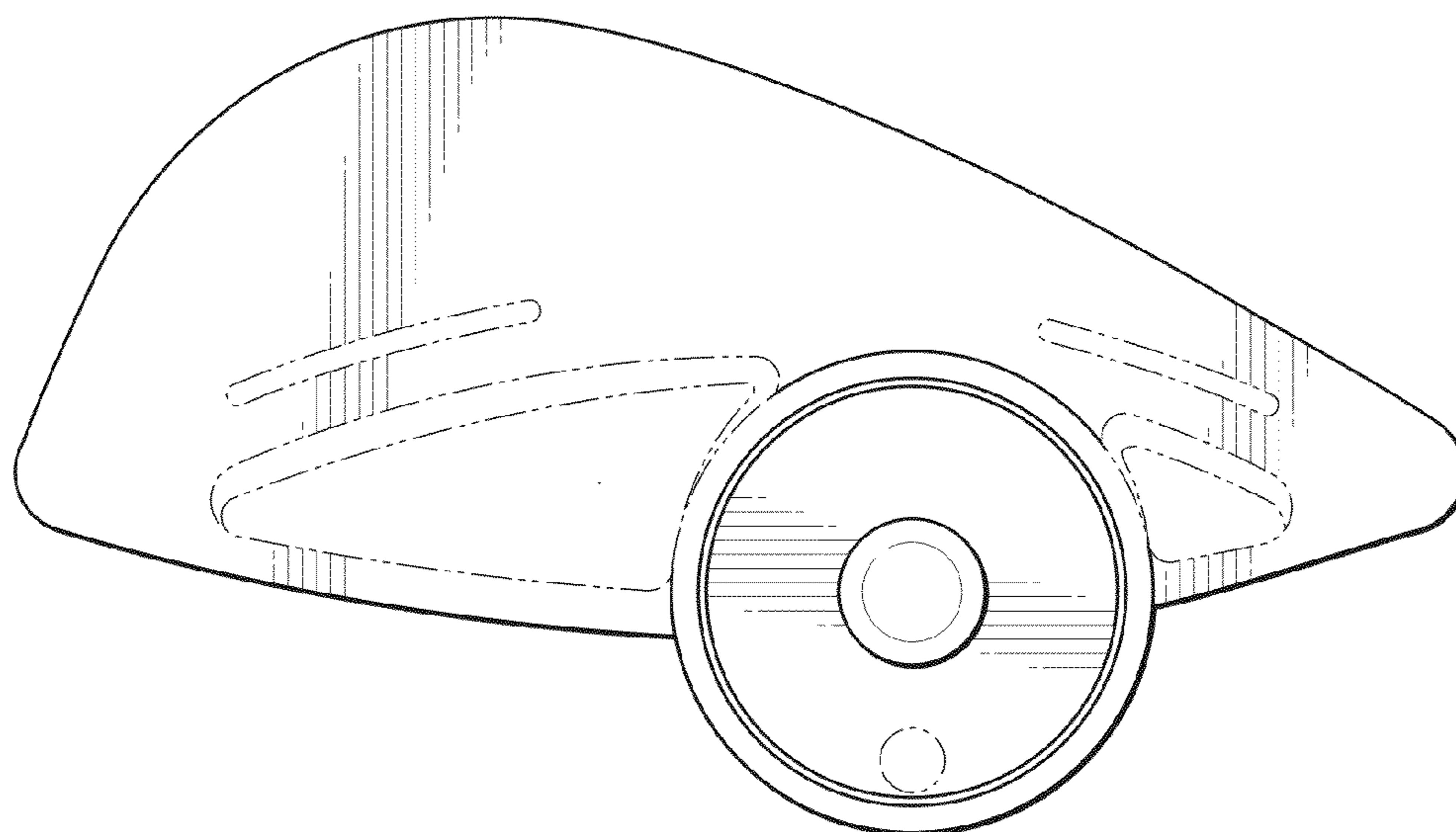


FIG. 3

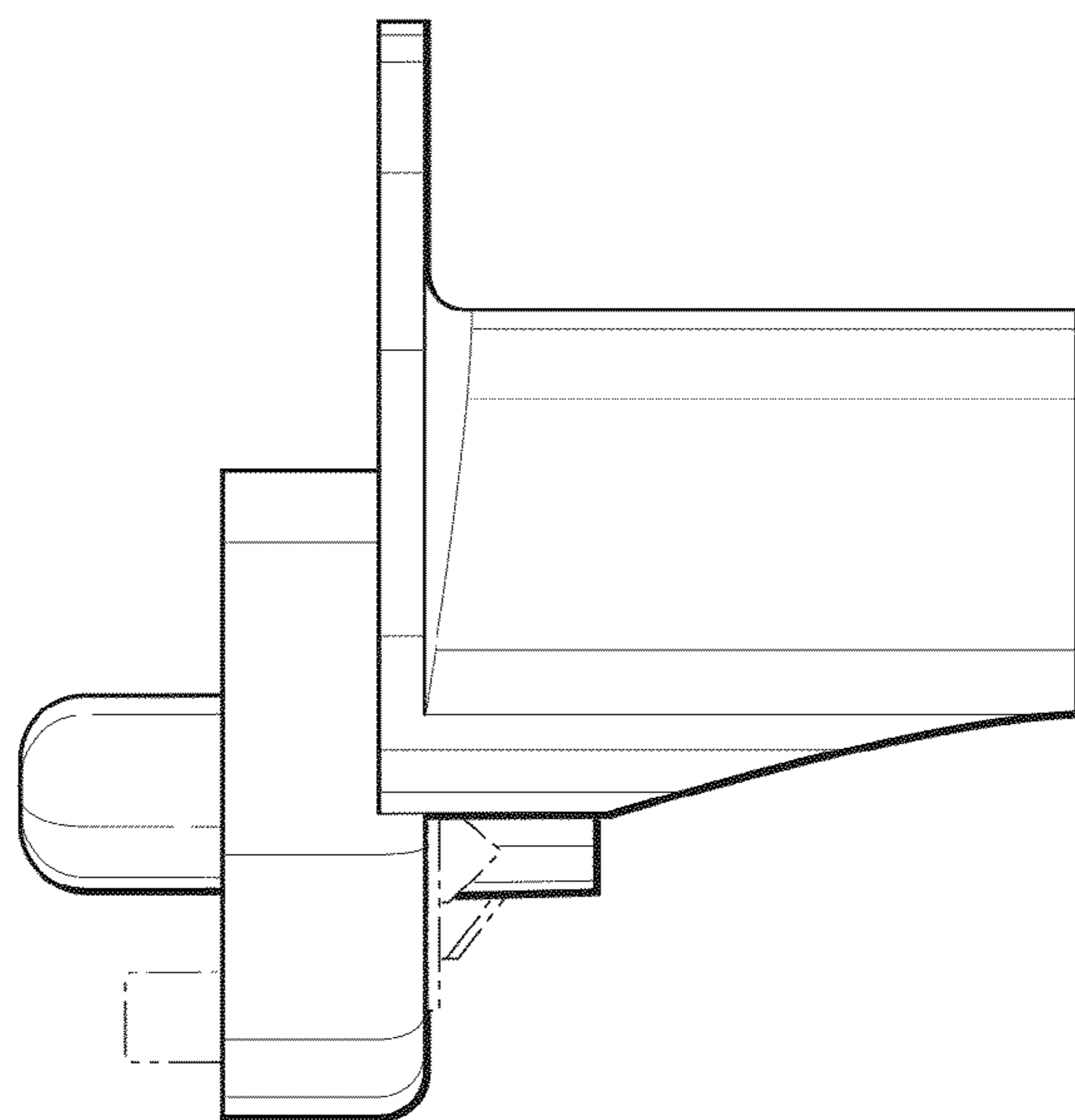


FIG. 4

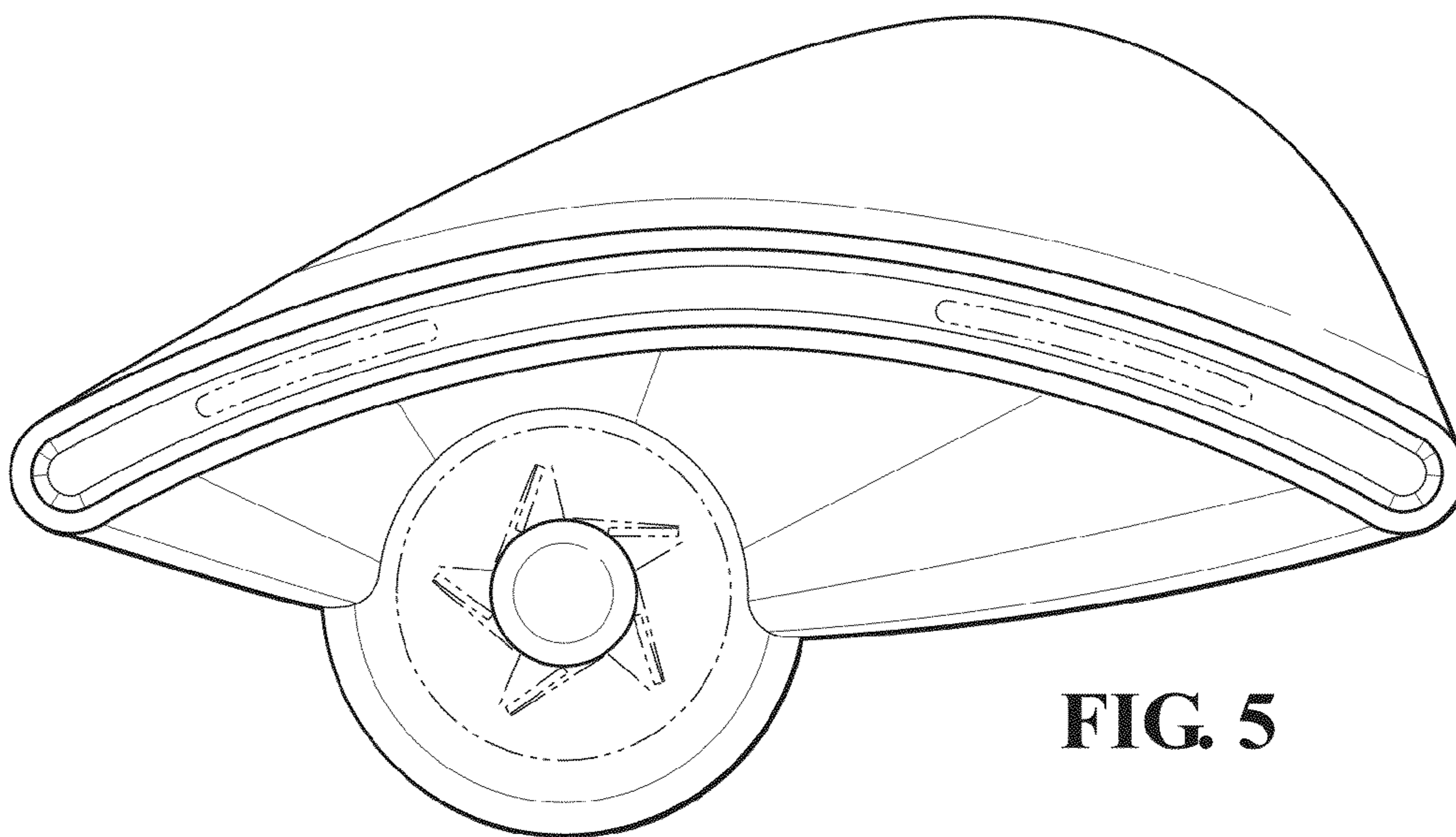


FIG. 5

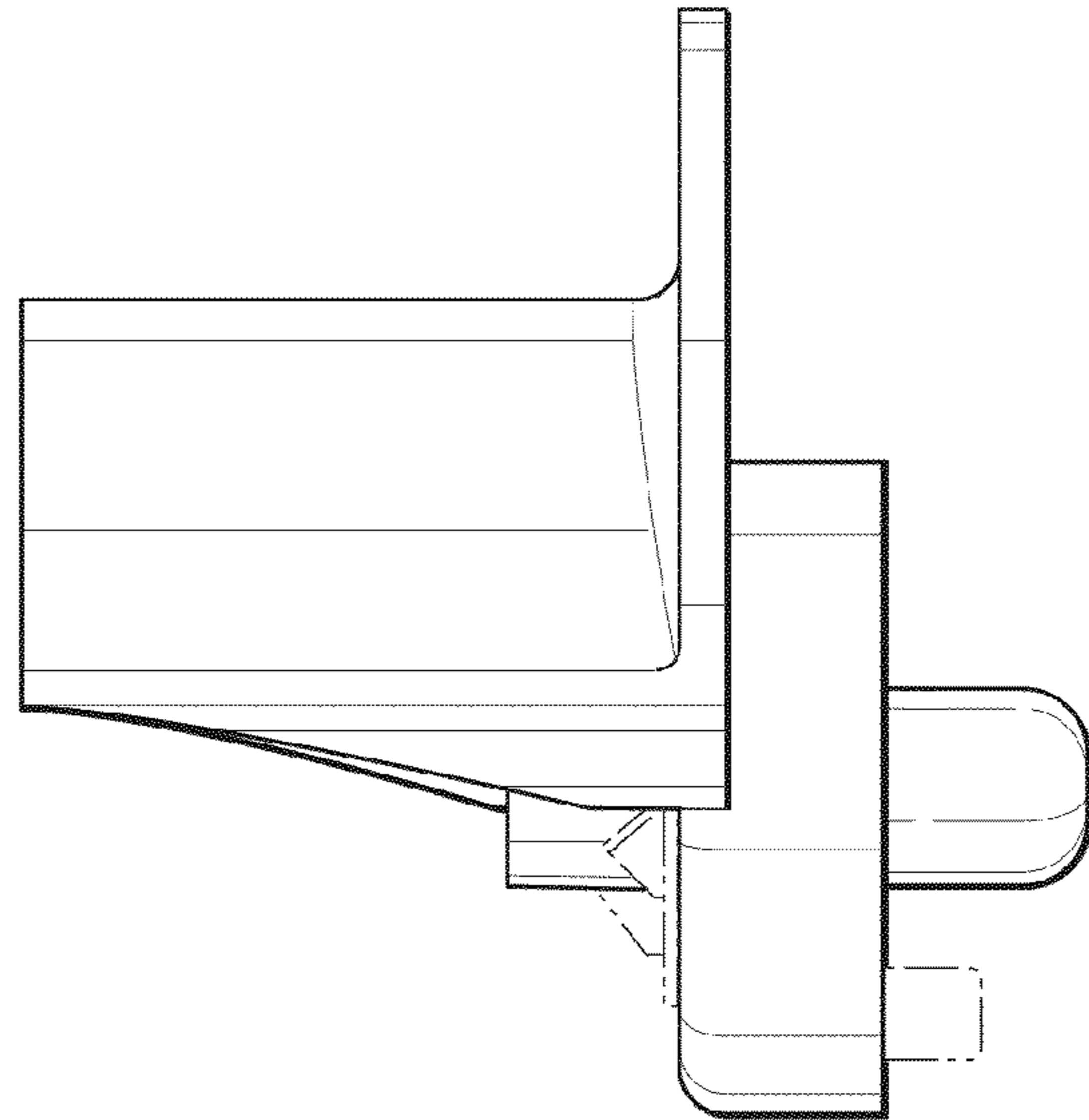


FIG. 6

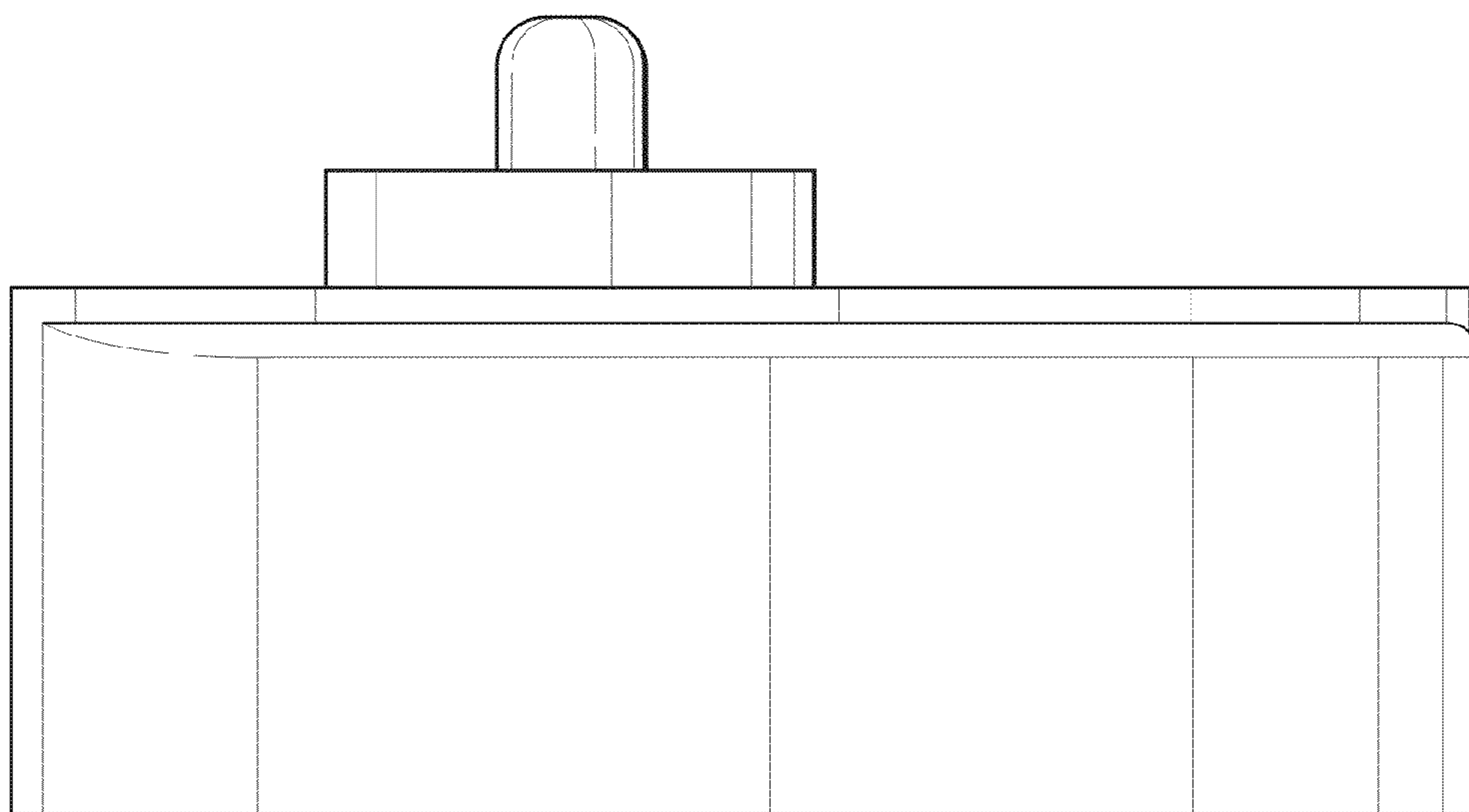


FIG. 7

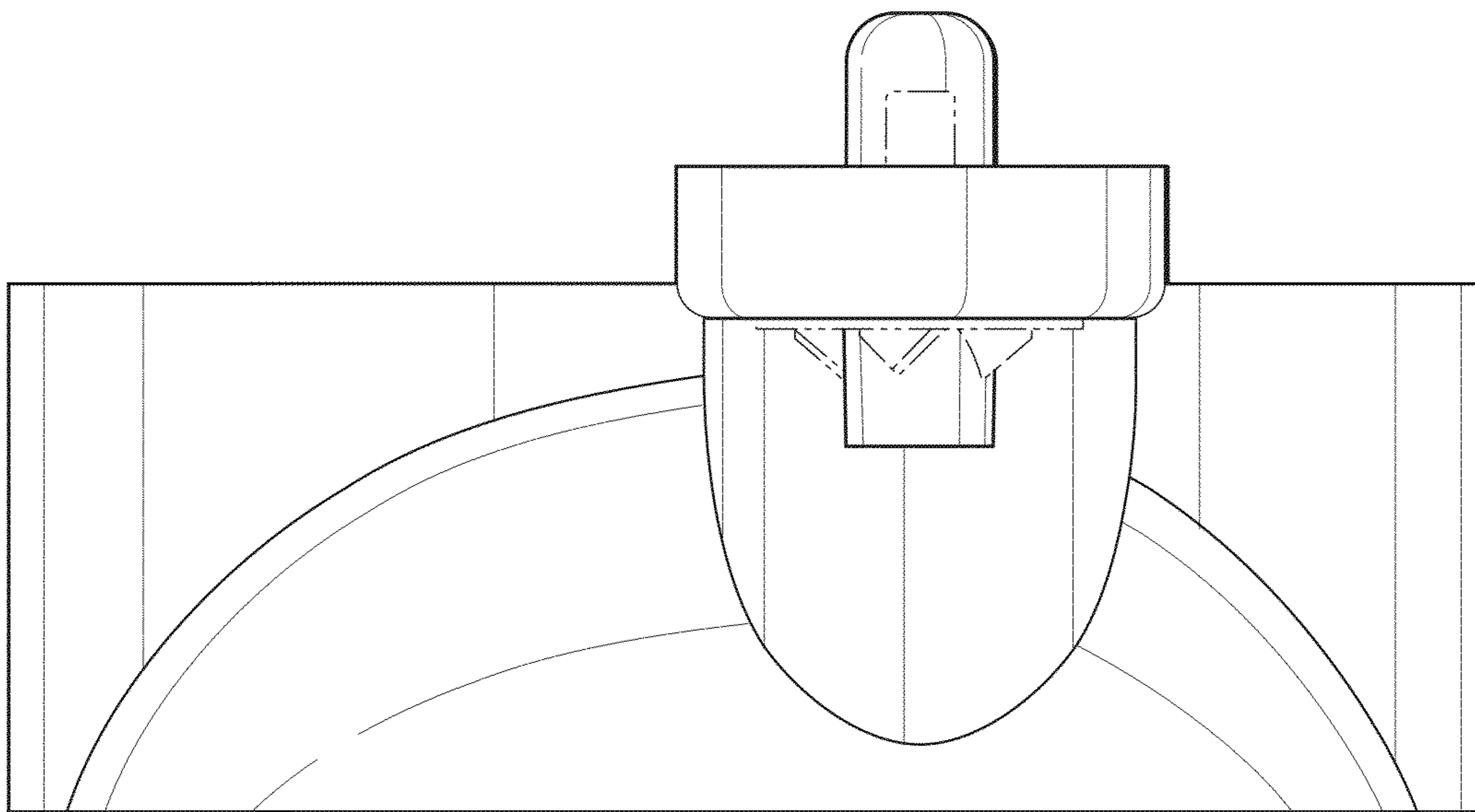


FIG. 8