



US00D742498S

(12) **United States Design Patent**
Zakula et al.

(10) **Patent No.:** **US D742,498 S**
(45) **Date of Patent:** **** Nov. 3, 2015**

- (54) **CRESCENT BAFFLE**
- (71) Applicant: **Broan-NuTone LLC**, Hartford, WI (US)
- (72) Inventors: **Mirko Zakula**, New Berlin, WI (US);
Robert G. Penlesky, Waukesha, WI (US); **Daniel L. Karst**, Beaver Dam, WI (US)
- (73) Assignee: **Broan-NuTone LLC**, Hartford, WI (US)
- (**) Term: **14 Years**
- (21) Appl. No.: **29/462,227**
- (22) Filed: **Jul. 31, 2013**
- (51) **LOC (10) Cl.** **23-04**
- (52) **U.S. Cl.**
USPC **D23/386**
- (58) **Field of Classification Search**
USPC D23/386, 365, 209, 363, 358, 354, 341,
D23/364, 393; 55/385.3, 502, 497, 506,
55/505, 521, 495, 422, 493, DIG. 30;
210/435, 130, 136, 248, 339, 448, 452,
210/497.1; D15/5; 454/322, 338, 347;
415/204
CPC B01D 21/0039; B01D 21/0042
See application file for complete search history.

5,997,246	A *	12/1999	Humbad	415/119
6,155,781	A *	12/2000	Tsai	415/206
6,168,378	B1 *	1/2001	Craw et al.	415/211.2
7,014,422	B2 *	3/2006	Hancock	415/204
7,500,825	B2 *	3/2009	Hanai	415/204
8,070,433	B2 *	12/2011	Sun	415/213.1
D665,900	S *	8/2012	Yen et al.	D23/411
D669,571	S *	10/2012	Penlesky et al.	D23/393
2007/0221061	A1 *	9/2007	Steiner et al.	96/63
2008/0190120	A1 *	8/2008	Marciano et al.	62/77
2011/0243720	A1 *	10/2011	Post	415/204
2011/0318176	A1 *	12/2011	Yen et al.	415/204
2013/0256056	A1 *	10/2013	Wieggers et al.	181/282
2014/0065945	A1 *	3/2014	Zakula et al.	454/322
2015/0038070	A1 *	2/2015	Zakula et al.	454/347

* cited by examiner

Primary Examiner — David Muller

Assistant Examiner — Nathan Johnston

(74) *Attorney, Agent, or Firm* — Schwegman Lundberg & Woessner, P.A.

(57) **CLAIM**

We claim the ornamental design for a crescent baffle, as shown and described.

DESCRIPTION

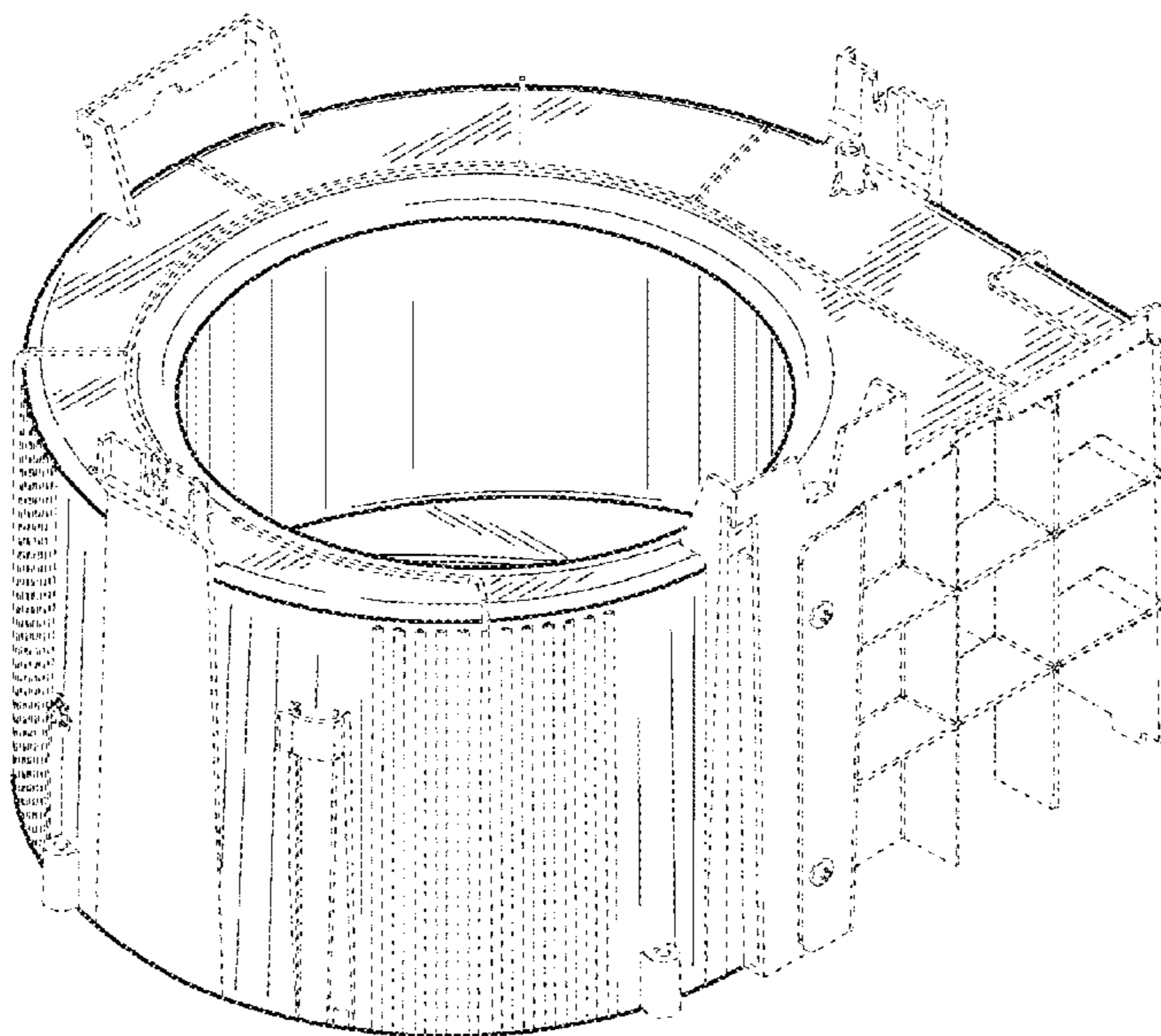
FIG. 1 is a bottom perspective view of a crescent baffle;
 FIG. 2 is a top perspective view thereof;
 FIG. 3 is a top plan view thereof;
 FIG. 4 is a side sectional view thereof, taken along line 4-4 in FIG. 3;
 FIG. 5 is a front elevation view thereof;
 FIG. 6 is a rear elevation view thereof; and
 FIG. 7 is a side view of a crescent baffle of FIG. 1; and,
 FIG. 8 is a side elevation view thereof.
 The features shown in broken lines depict environmental subject matter only and form no part of the claimed design.

1 Claim, 8 Drawing Sheets

(56) **References Cited**

U.S. PATENT DOCUMENTS

3,407,995	A *	10/1968	Kinsworthy	415/94
3,469,772	A *	9/1969	McDonald	417/350
D289,680	S *	5/1987	Heob	D23/386
D337,817	S *	7/1993	Brock	D23/356
D368,269	S *	3/1996	Chapman	D15/5
D413,122	S *	8/1999	Chapman	D15/5
5,984,991	A *	11/1999	Glucksman	55/471



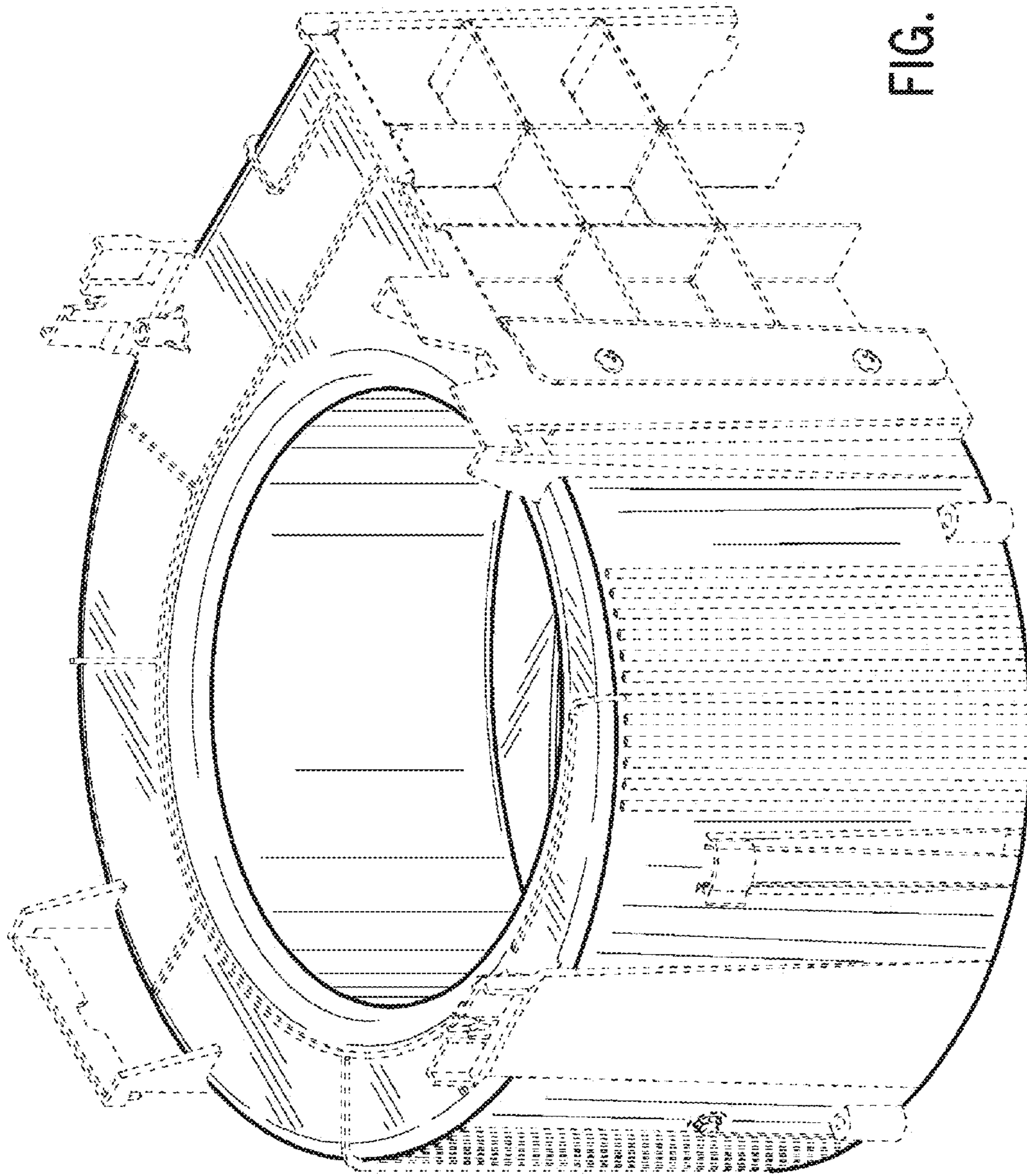


FIG. 1

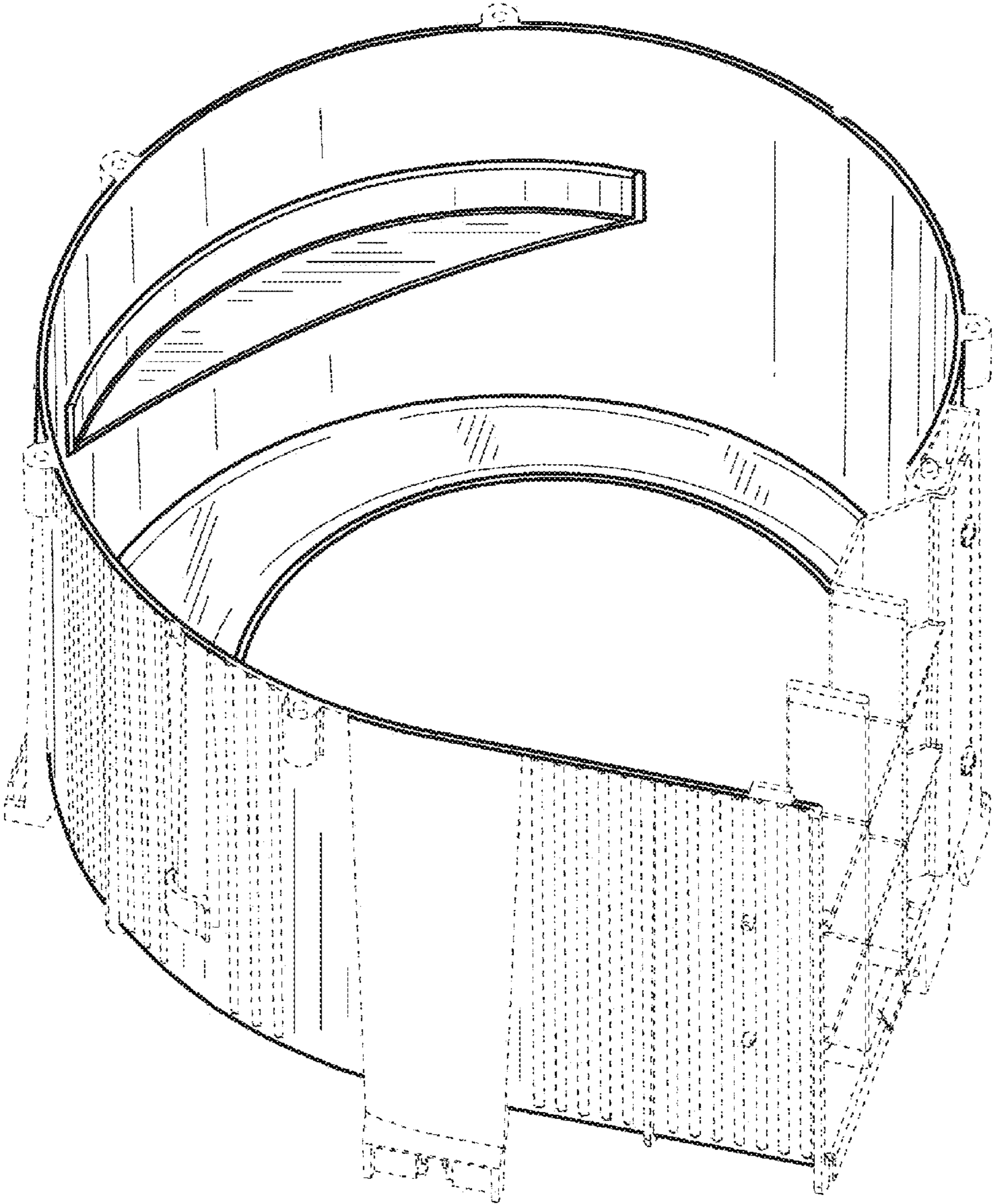


FIG. 2

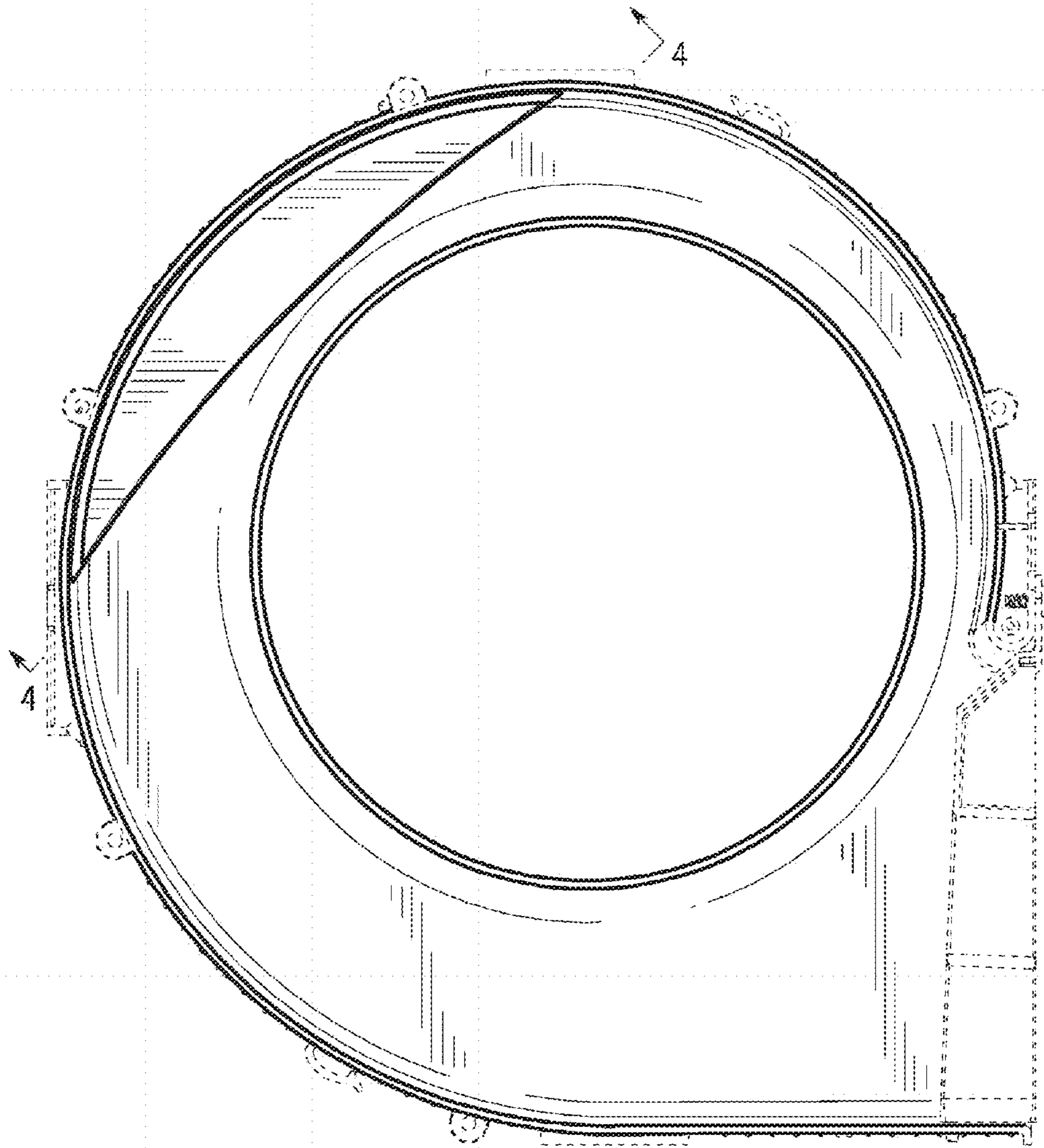


FIG. 3

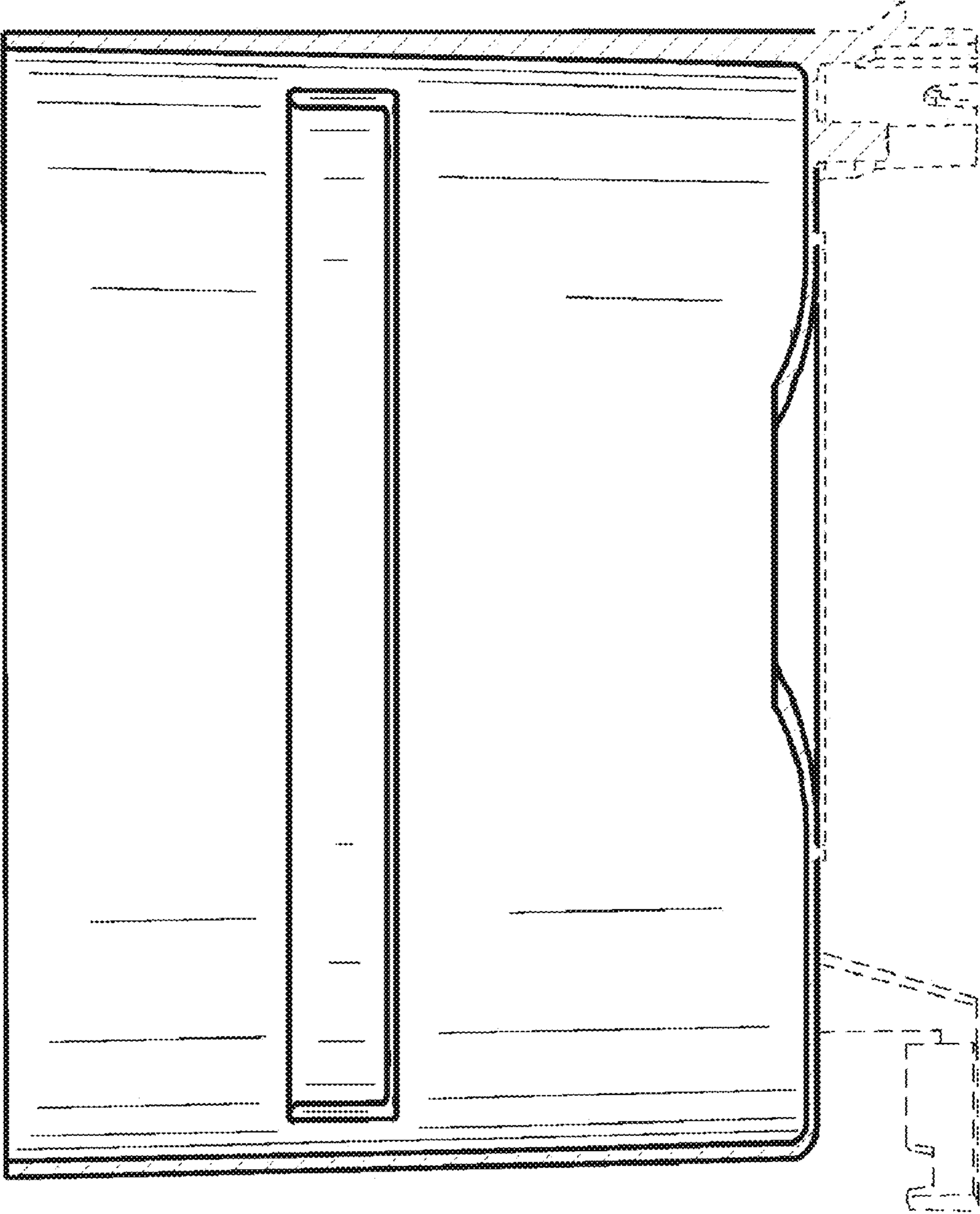


FIG. 4

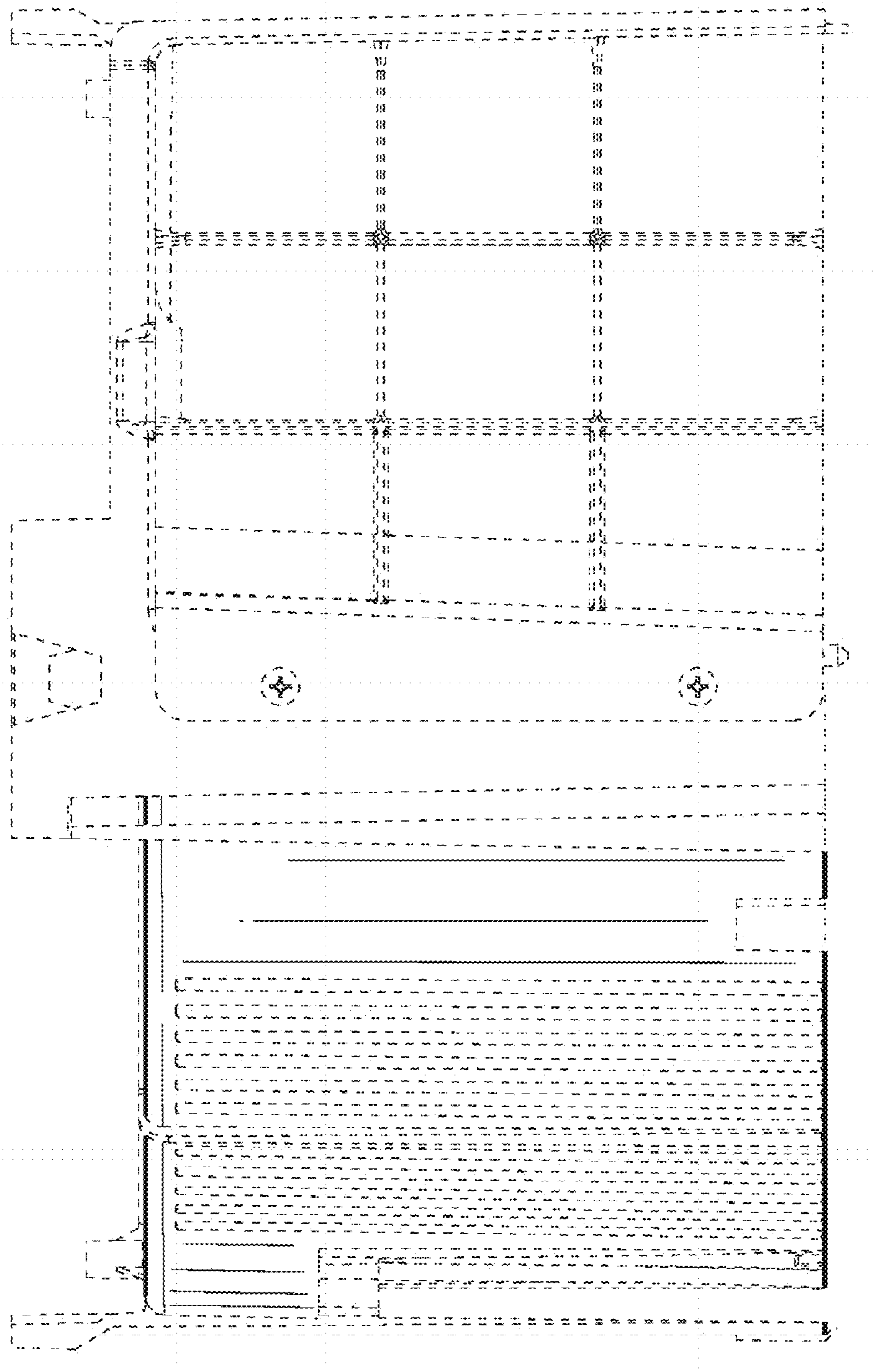


FIG. 5

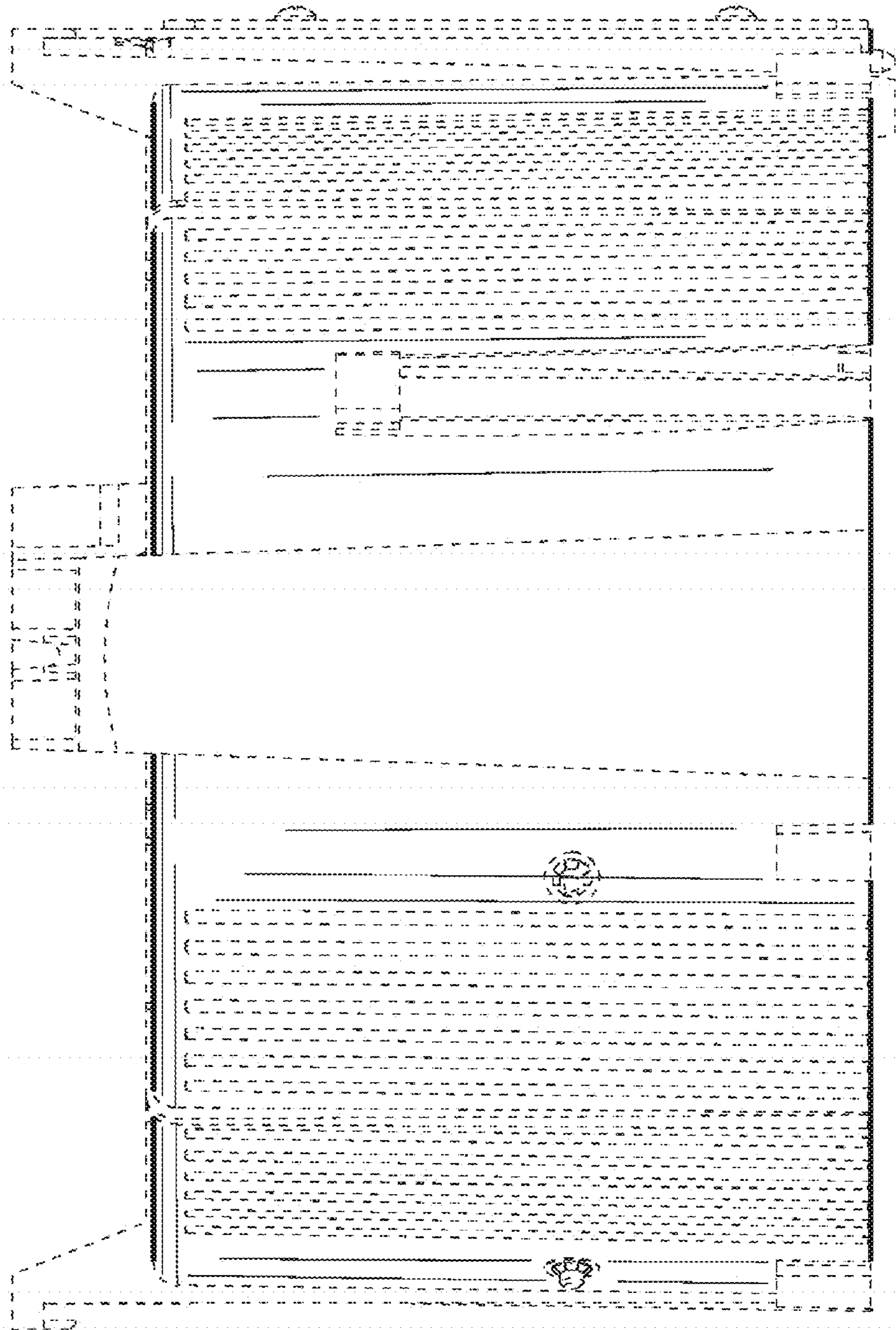


FIG. 6

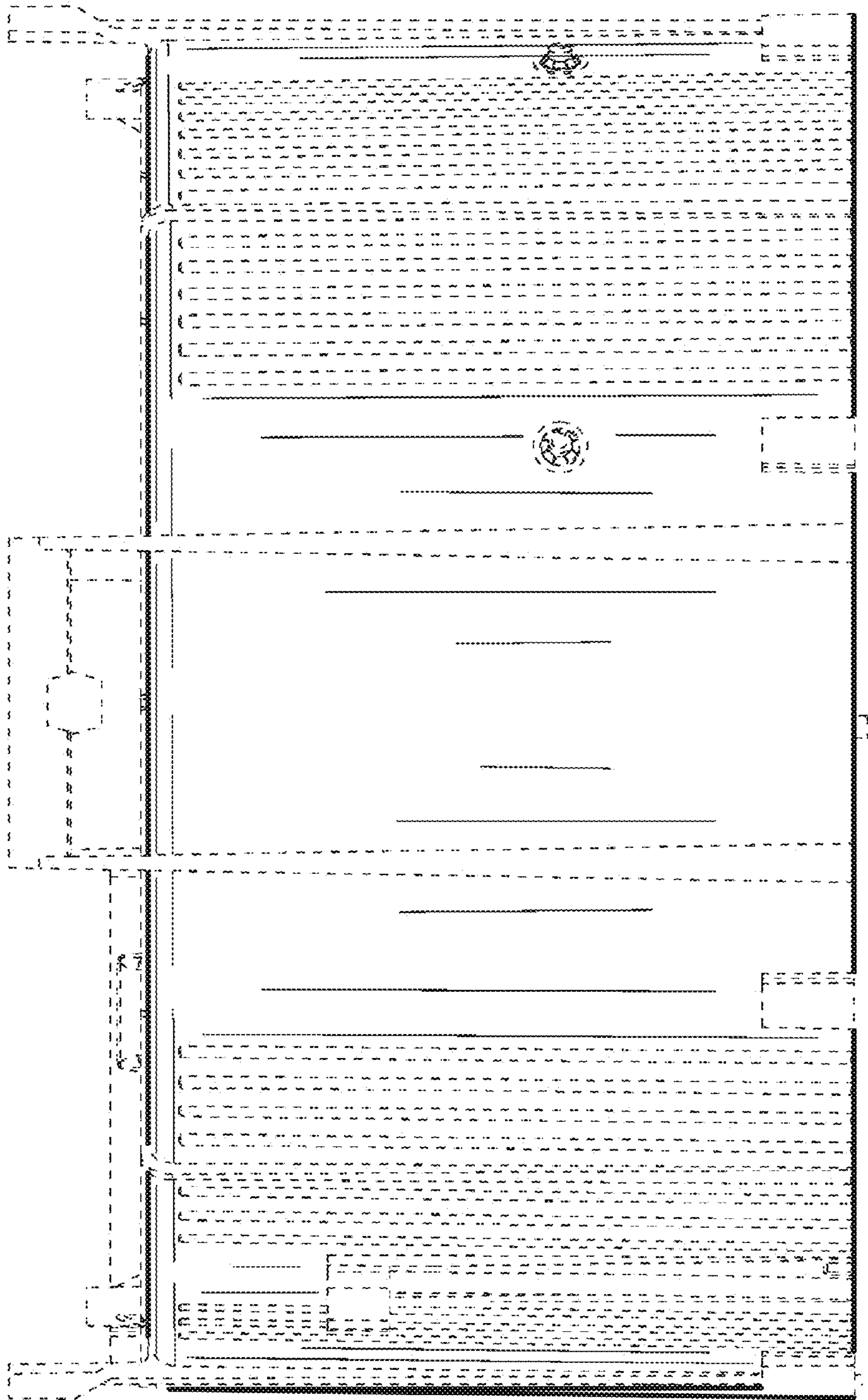


FIG. 7

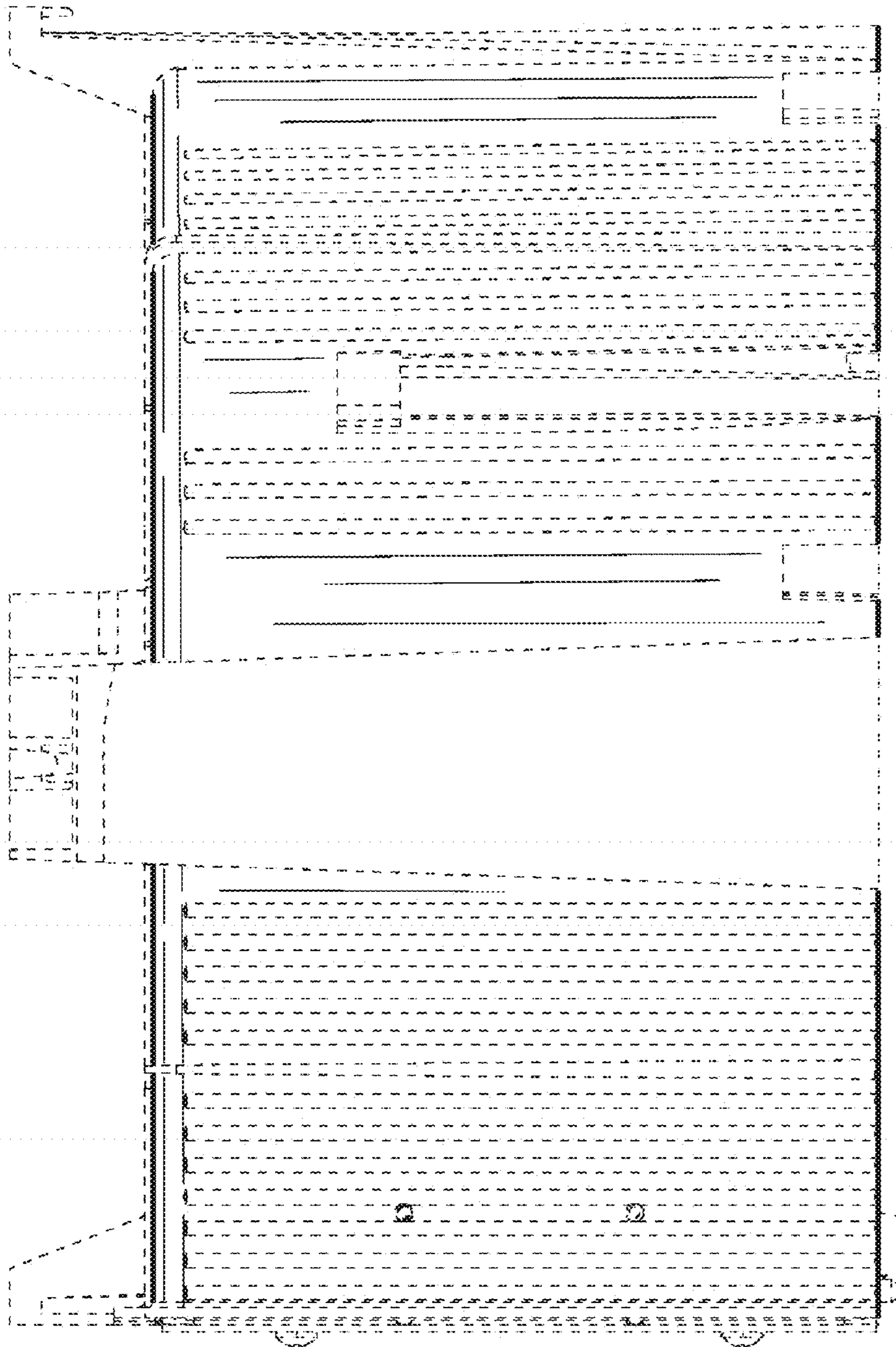


FIG. 8