



US00D742495S

(12) **United States Design Patent**
Mathews et al.

(10) **Patent No.:** **US D742,495 S**
(45) **Date of Patent:** **** Nov. 3, 2015**

(54) **PORTABLE AIR FILTRATION DEVICE**

(71) Applicant: **Abatement Technologies, Inc.**,
Suwanee, GA (US)

(72) Inventors: **Lynette Ravile Mathews**, Atlanta, GA
(US); **Blair Lawrence Harber**, St.
Davids, CA (US)

(73) Assignee: **Abatement Technologies, Inc.**,
Suwanee, GA (US)

(**) Term: **14 Years**

(21) Appl. No.: **29/470,891**

(22) Filed: **Oct. 25, 2013**

(51) **LOC (10) Cl.** **23-04**

(52) **U.S. Cl.**
USPC **D23/364**

(58) **Field of Classification Search**
USPC D23/314, 325, 329, 333, 334, 335, 342,
D23/355, 356, 358, 359, 364, 386, 387, 388,
D23/389, 390, 391
CPC A61L 9/00; A61L 9/20; A61L 9/205;
A61L 9/01; A61L 9/015; A61L 9/14; A61L
9/16; F24F 1/00; F24F 3/16; F24F 3/166;
F24F 3/1603; F24F 3/14; F24F 3/12; F24F
7/00; B03C 1/00; B03C 3/32; B03C 3/15;
B03C 3/155; B03C 3/16; B01D 23/00

See application file for complete search history.

(56) **References Cited**

U.S. PATENT DOCUMENTS

D287,274 S	*	12/1986	Crowley et al.	D23/356
D374,479 S	*	10/1996	Bucher et al.	D23/356
D374,480 S	*	10/1996	Micoley	D23/356
D376,419 S	*	12/1996	Seaman et al.	D23/356
D394,099 S	*	5/1998	Tsuji	D23/356
D395,492 S	*	6/1998	Phillips et al.	D23/359
D418,591 S	*	1/2000	Birdsell et al.	D23/335
D449,676 S	*	10/2001	Mulvaney et al.	D23/356

D459,456 S	*	6/2002	Campbell	D23/356
D500,847 S	*	1/2005	Manke et al.	D23/356
D532,879 S	*	11/2006	Ching	D23/335
D548,314 S	*	8/2007	Huang	D23/356
D572,355 S	*	7/2008	Gao	D23/356
D582,531 S	*	12/2008	Israel et al.	D23/356
D591,412 S	*	4/2009	Rittri et al.	D23/364
D594,102 S	*	6/2009	Israel et al.	D23/356

(Continued)

OTHER PUBLICATIONS

The Predator® 600 Portable Air Scrubber, available to Applicants at least as early as Oct. 24, 2013.

(Continued)

Primary Examiner — Eric Goodman

Assistant Examiner — Bao-Yen Nguyen

(74) *Attorney, Agent, or Firm* — Kilpatrick Townsend & Stockton LLP

(57) **CLAIM**

The ornamental design for a portable air filtration device, as shown and described.

DESCRIPTION

FIG. 1 is a front perspective view of a portable air filtration device.

FIG. 2 is a front view of the portable air filtration device of FIG. 1.

FIG. 3 is a rear view of the portable air filtration device of FIG. 1.

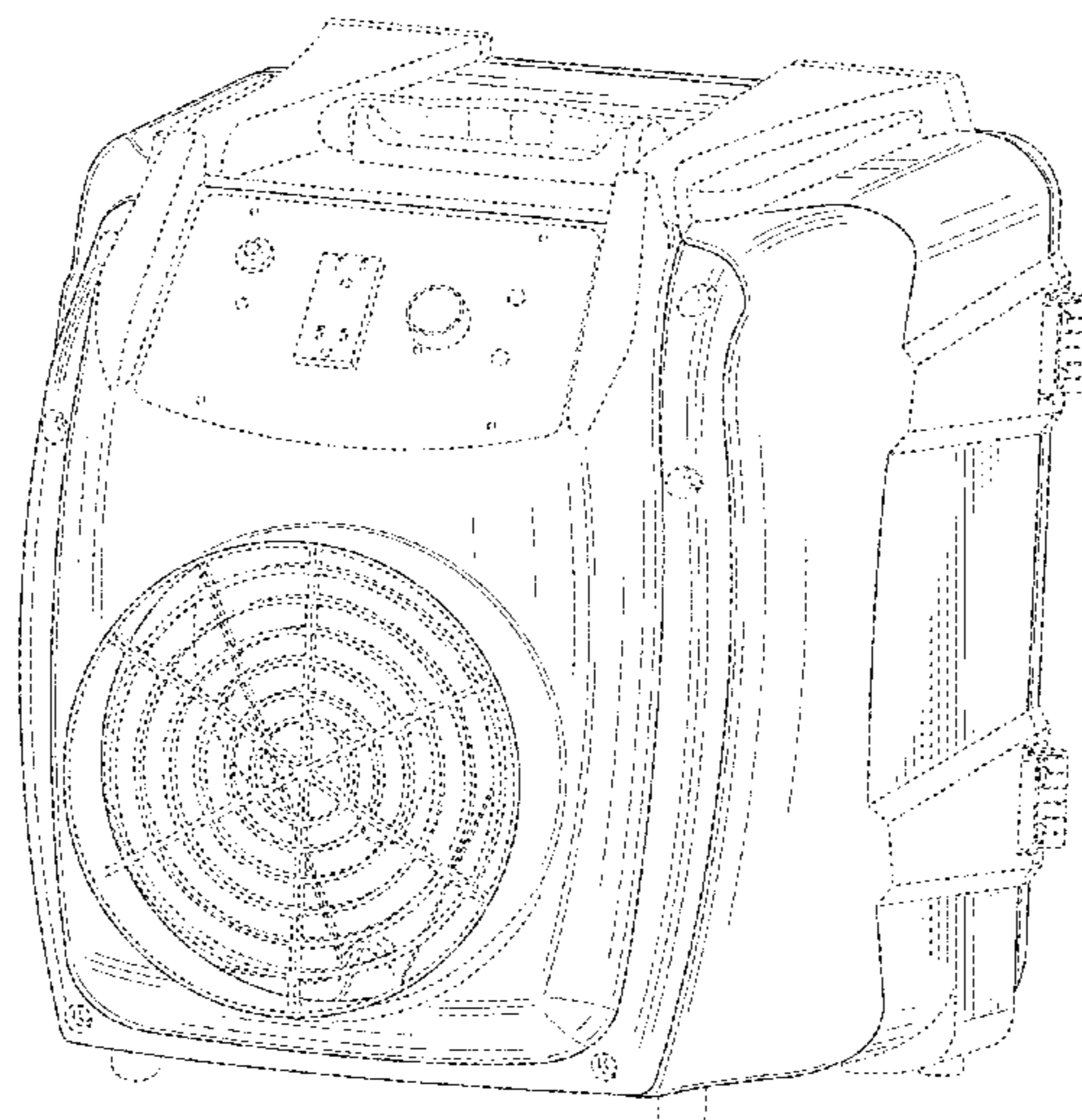
FIG. 4 is a top view of the portable air filtration device of FIG. 1.

FIG. 5 is a right side view of the portable air filtration device of FIG. 1; and,

FIG. 6 is a left side view of the portable air filtration device of FIG. 1.

The broken lines illustrate environment and/or boundaries of the claimed design, and form no part of the claimed design.

1 Claim, 6 Drawing Sheets



(56)

References Cited

OTHER PUBLICATIONS

U.S. PATENT DOCUMENTS

D597,186 S * 7/2009 Campbell et al. D23/356
D597,187 S * 7/2009 Campbell D23/356
D597,640 S * 8/2009 Israel et al. D23/335
D611,134 S * 3/2010 Borgi D23/355
D626,641 S * 11/2010 Ediger et al. D23/335
D654,578 S * 2/2012 Ediger et al. D23/342

Dri-Eaz® Owner's Manual DefendAir® Hepa 500 Air Scubber 115v
Model, available to Applicants at least as early as Oct. 24, 2013.
Dri-Eaz® Air Filtration Hepa 500, available to Applicants at least as
early as Oct. 24, 2013.

* cited by examiner

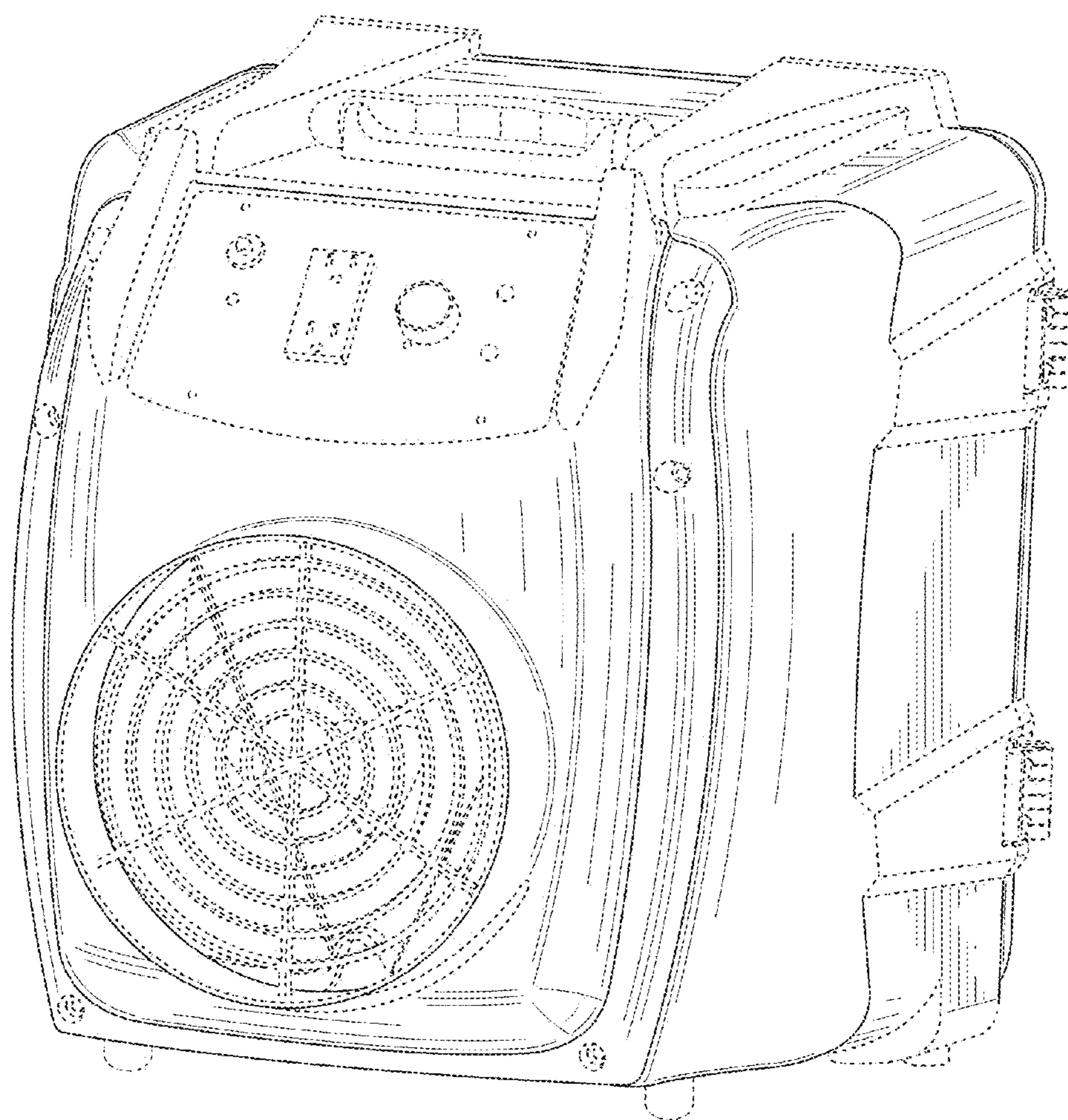


FIG. 1

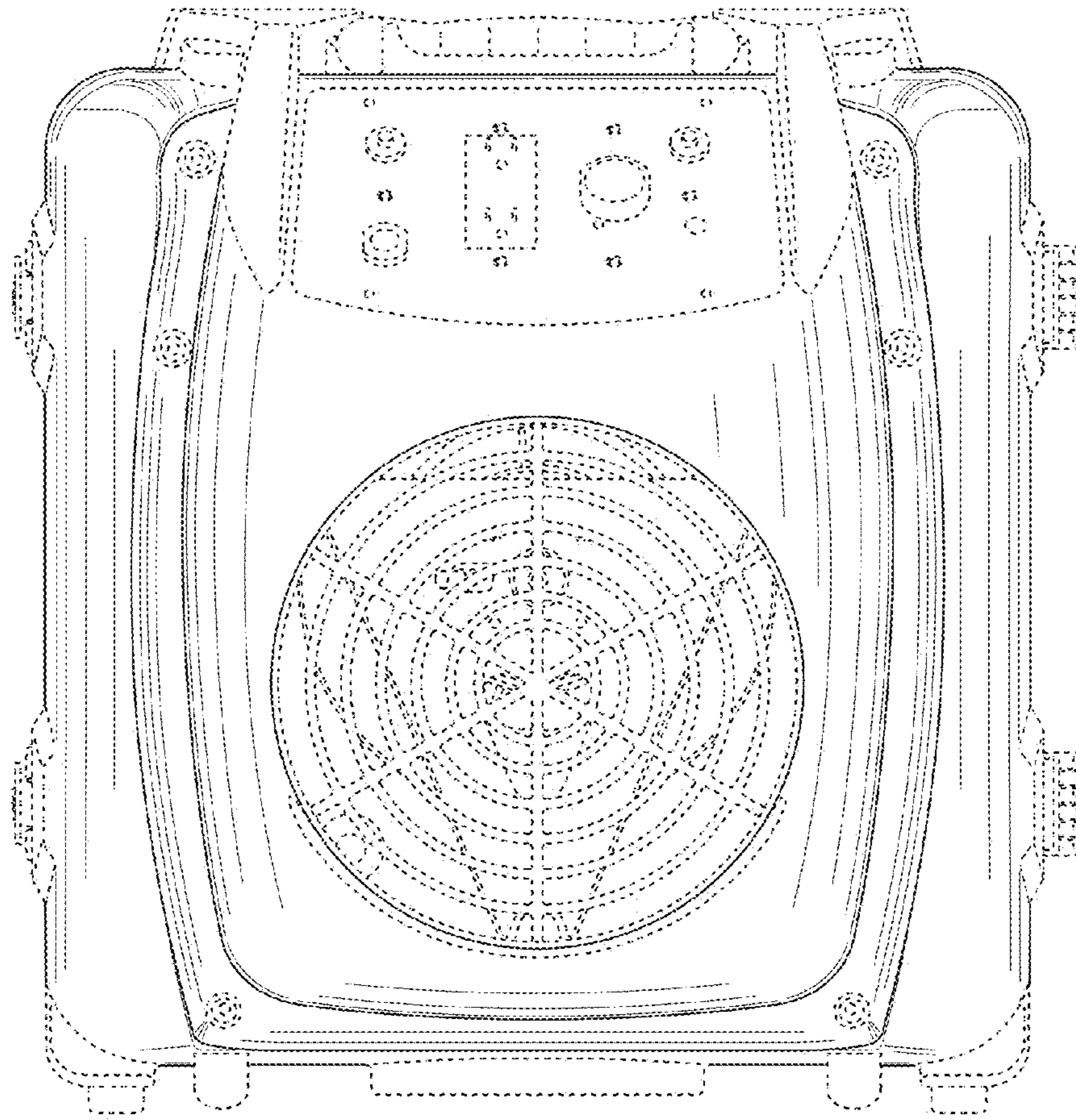


FIG. 2

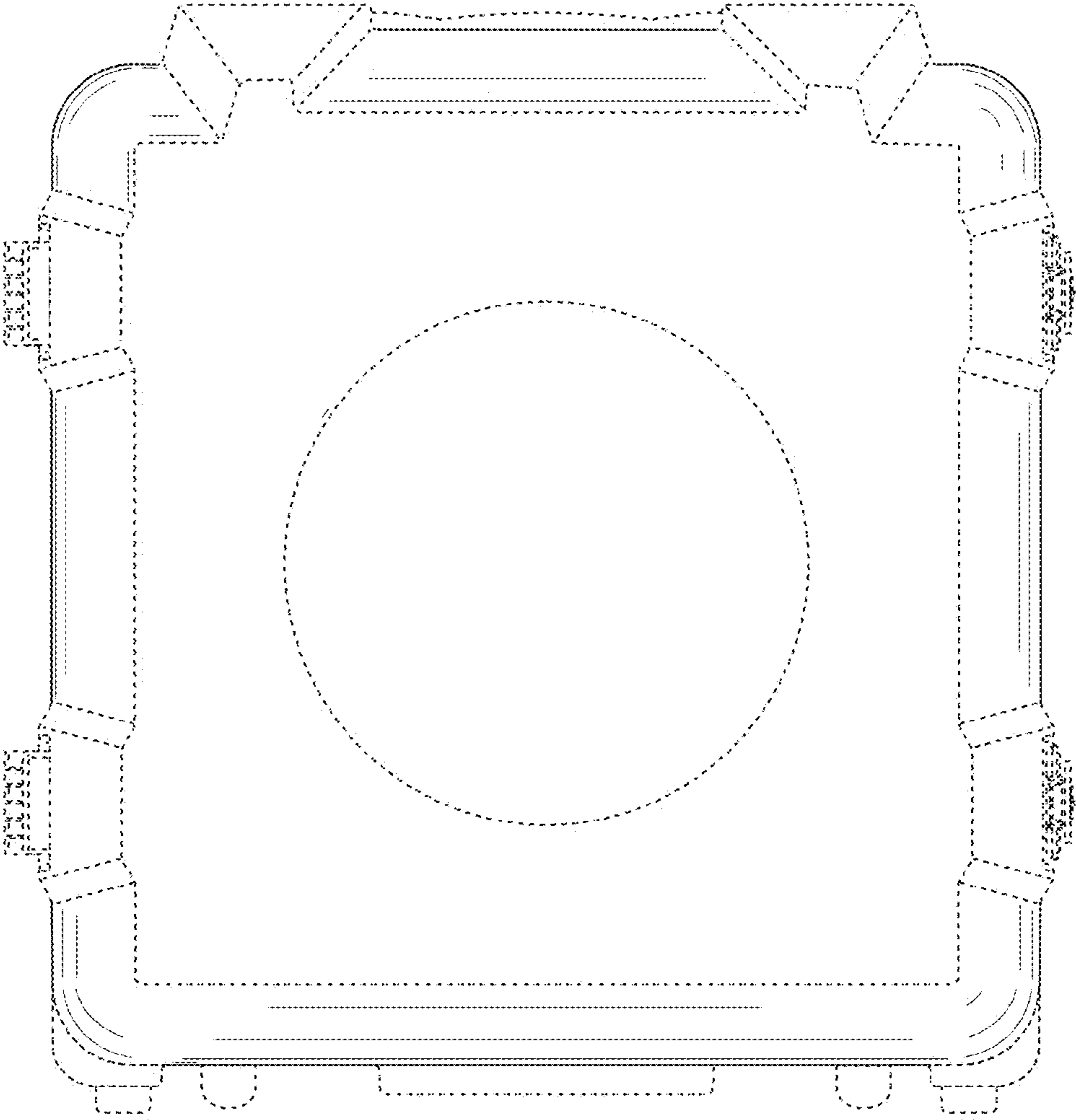


FIG. 3

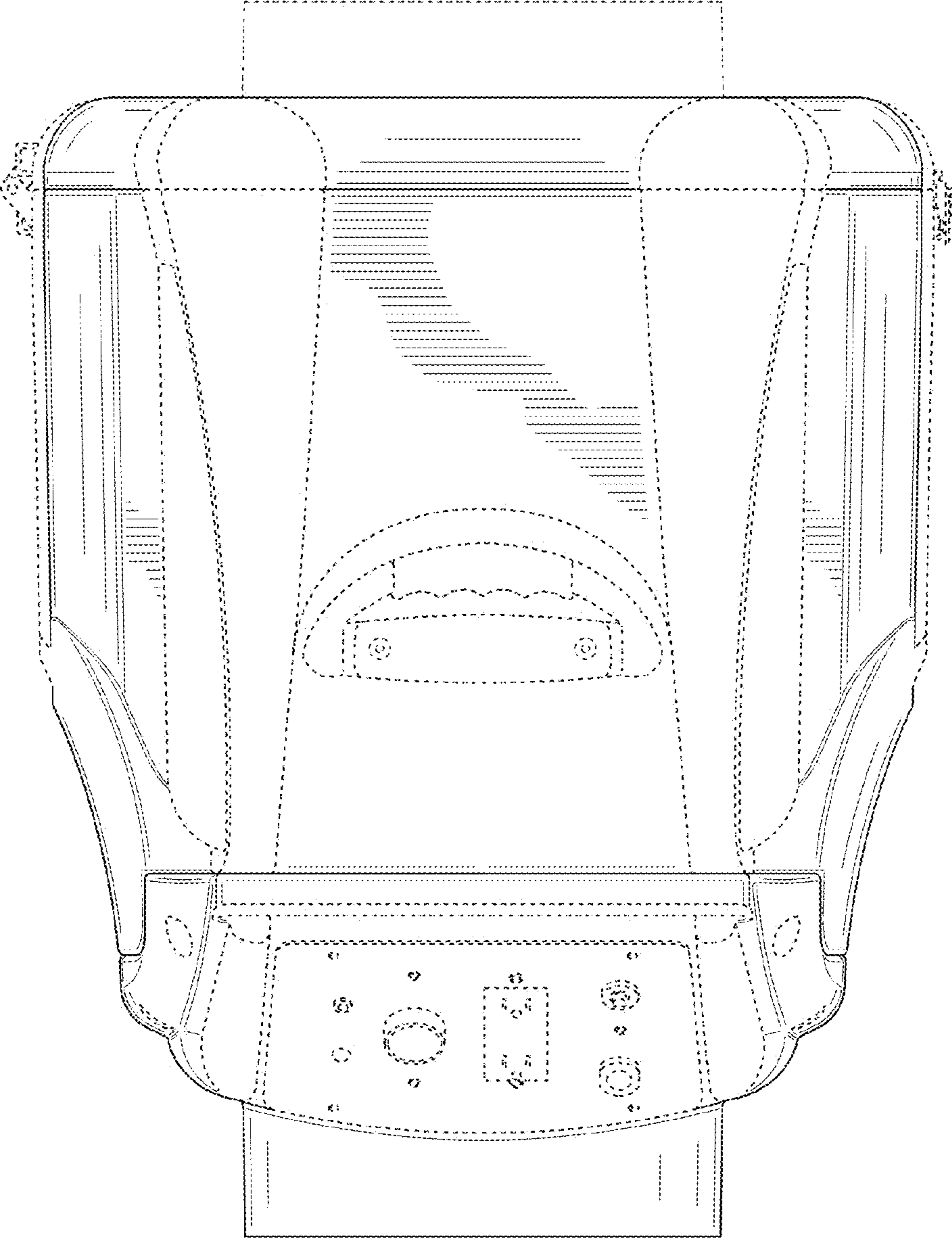


FIG. 4

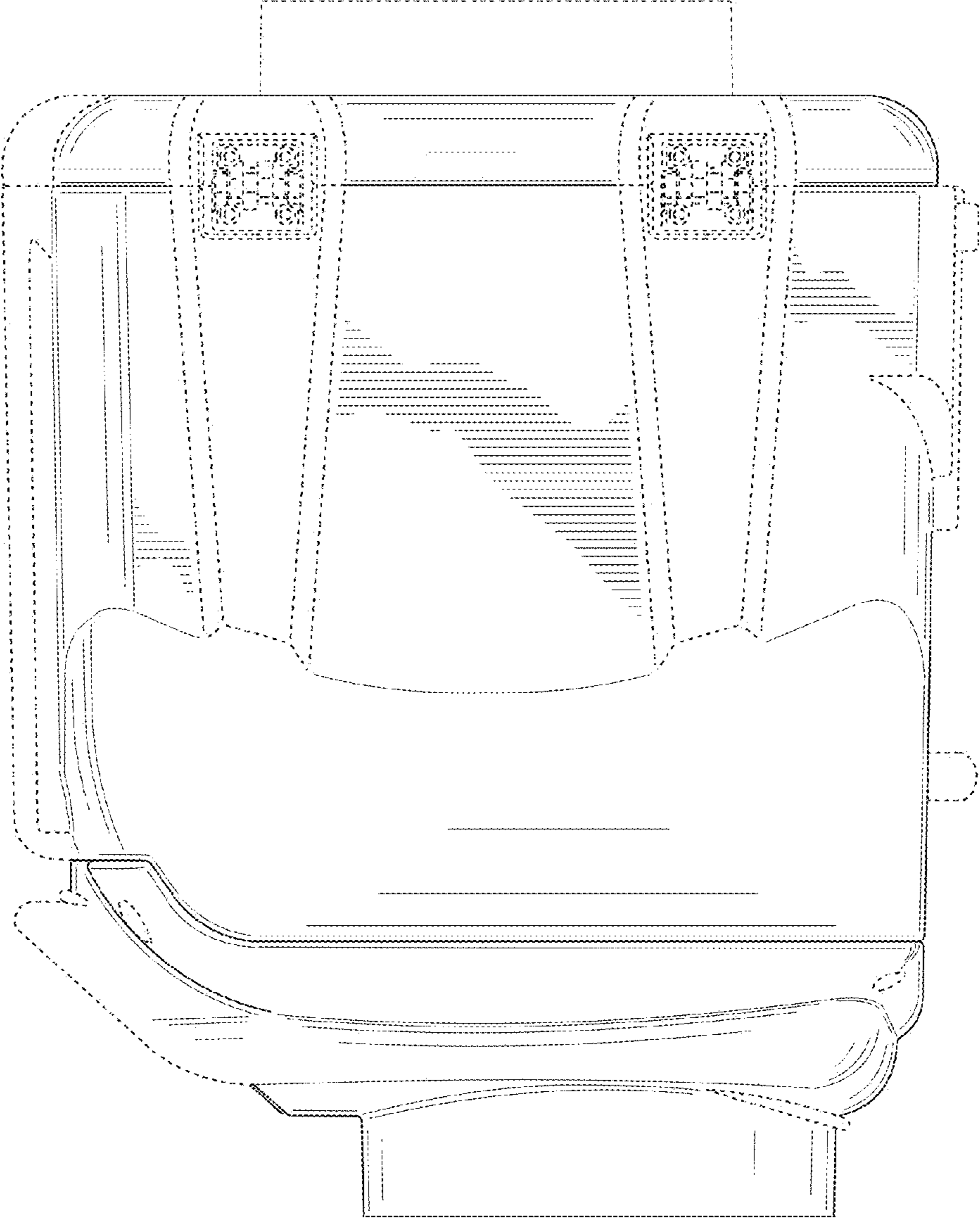


FIG. 5

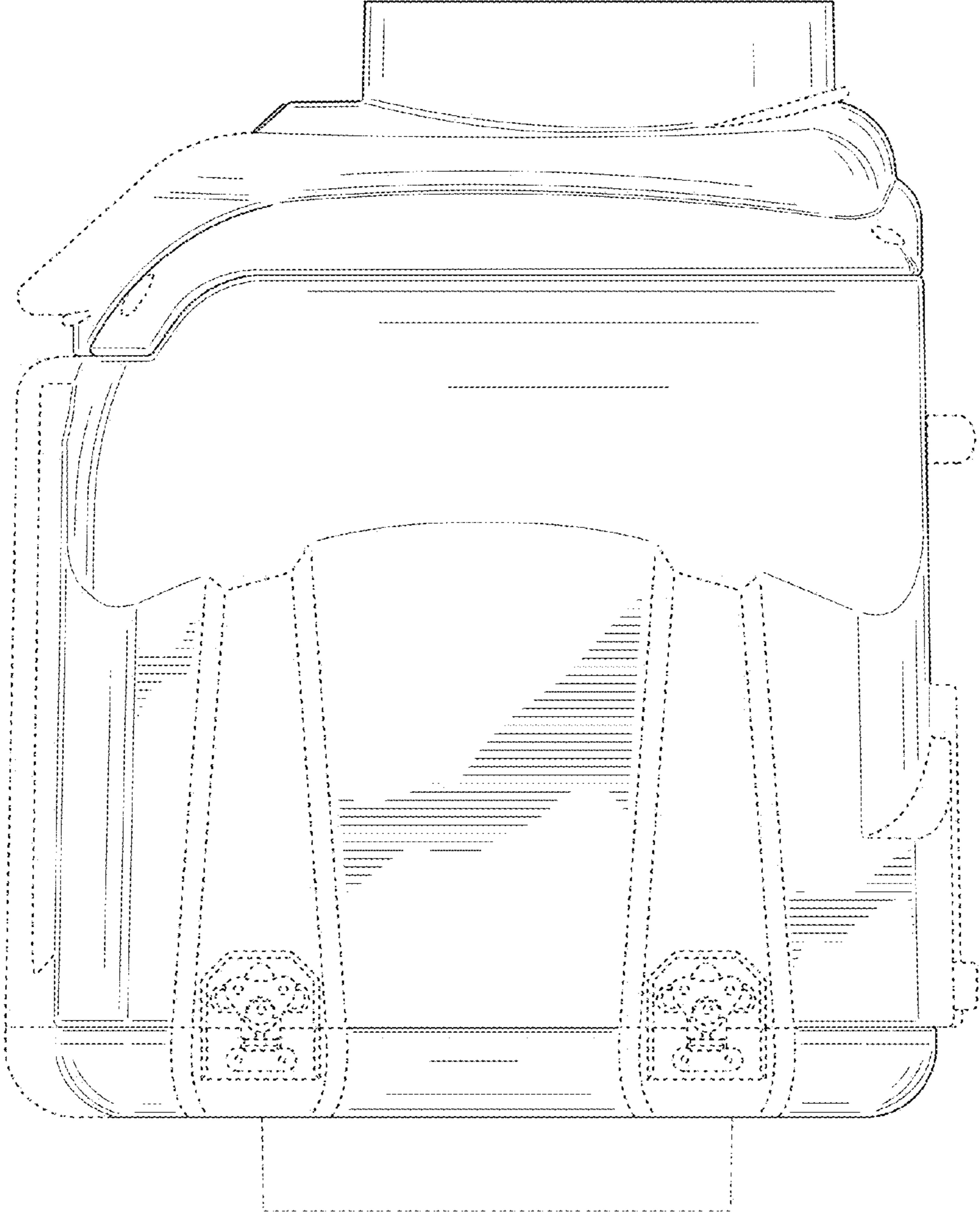


FIG. 6