



US00D742490S

(12) **United States Design Patent**
Jepson

(10) **Patent No.:** **US D742,490 S**

(45) **Date of Patent:** **** Nov. 3, 2015**

(54) **FIREPIT**

(71) Applicant: **Artika for Living Inc.**, Dorval (CA)

(72) Inventor: **Raymond Jepson**, Roxboro (CA)

(73) Assignee: **Artika for Living Inc.**, Dorval, Quebec (CA)

(**) Term: **14 Years**

(21) Appl. No.: **29/511,071**

(22) Filed: **Dec. 5, 2014**

(51) **LOC (10) Cl.** **23-03**

(52) **U.S. Cl.**
USPC **D23/343**

(58) **Field of Classification Search**

USPC D23/314, 317, 332, 338, 339, 340, 342,
D23/343, 346, 403; 26/523; 126/527, 536,
126/544, 555, 25 R, 58, 8, 512, 92 R, 519;
D7/335; D6/486, 688.12, 688.19,
D6/688.21, 692

See application file for complete search history.

(56) **References Cited**

U.S. PATENT DOCUMENTS

2,079,225 A * 5/1937 Sabaneeff 312/271
D162,083 S * 2/1951 Pruetzel D23/314

D286,002 S * 10/1986 Brix D7/332
D394,779 S * 6/1998 Hilvitz D7/335
5,775,315 A * 7/1998 Baykal 126/25 R
6,065,466 A * 5/2000 Baykal 126/41 R
D590,201 S * 4/2009 Zagar D7/335
D679,791 S * 4/2013 Lowsky D23/343
2006/0003276 A1 * 1/2006 Bachinski et al. 431/125

* cited by examiner

Primary Examiner — T. Chase Nelson

Assistant Examiner — Ania Aman

(74) *Attorney, Agent, or Firm* — Robert Brouillette;
Brouillette & Partners

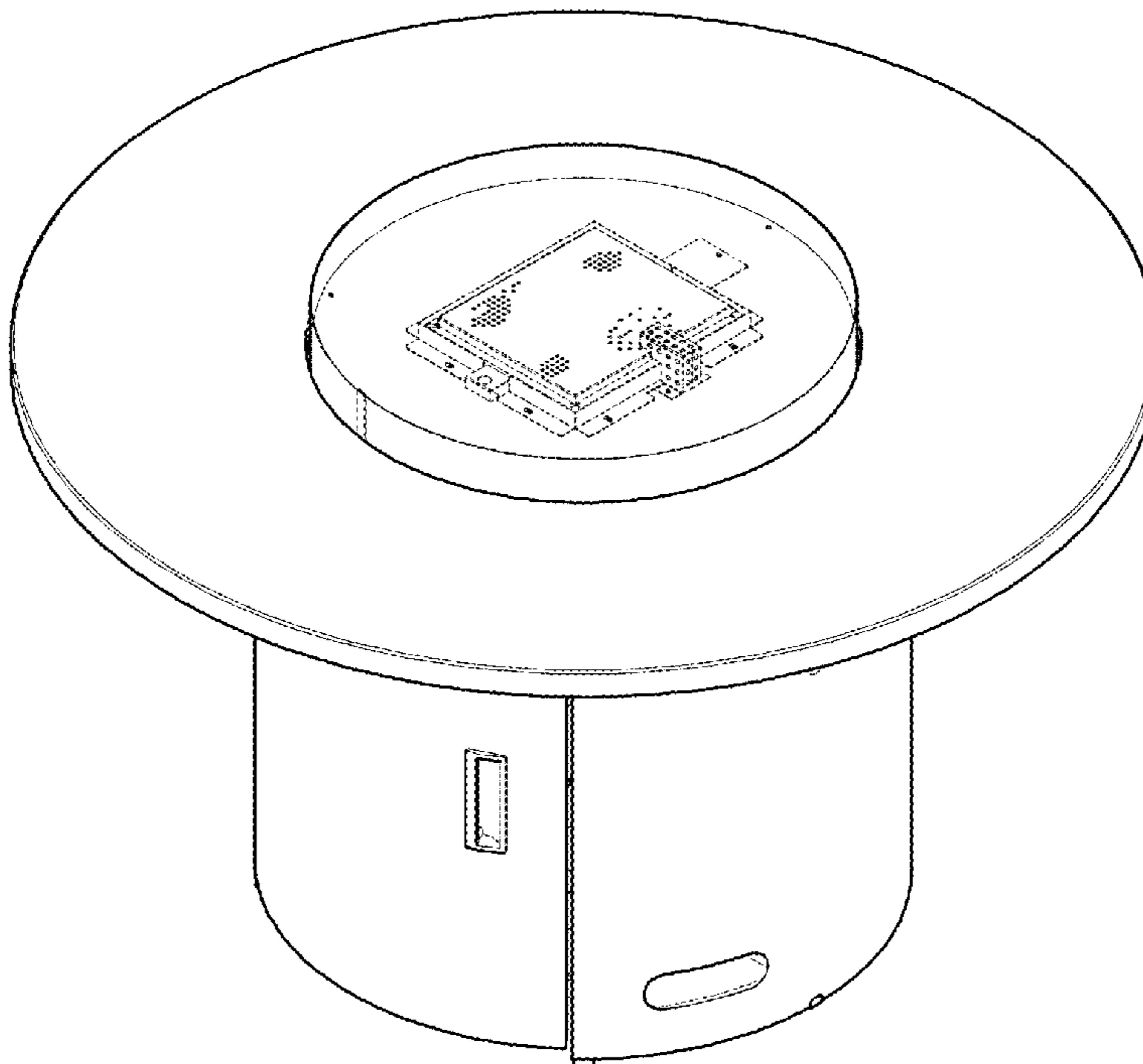
(57) **CLAIM**

The ornamental design for a firepit, as shown and described.

DESCRIPTION

FIG. 1 is a rear perspective view of the firepit;
FIG. 2 is a front perspective view of the firepit;
FIG. 3 is a top view of the firepit;
FIG. 4 is a bottom view of the firepit;
FIG. 5 is a right side view of the firepit;
FIG. 6 is a rear view of the firepit;
FIG. 7 is a left side view of the firepit; and,
FIG. 8 is a front view of the firepit.
The broken line shown in the drawings are for the purpose of illustrating portions of the article that form no part of the claimed design.

1 Claim, 8 Drawing Sheets



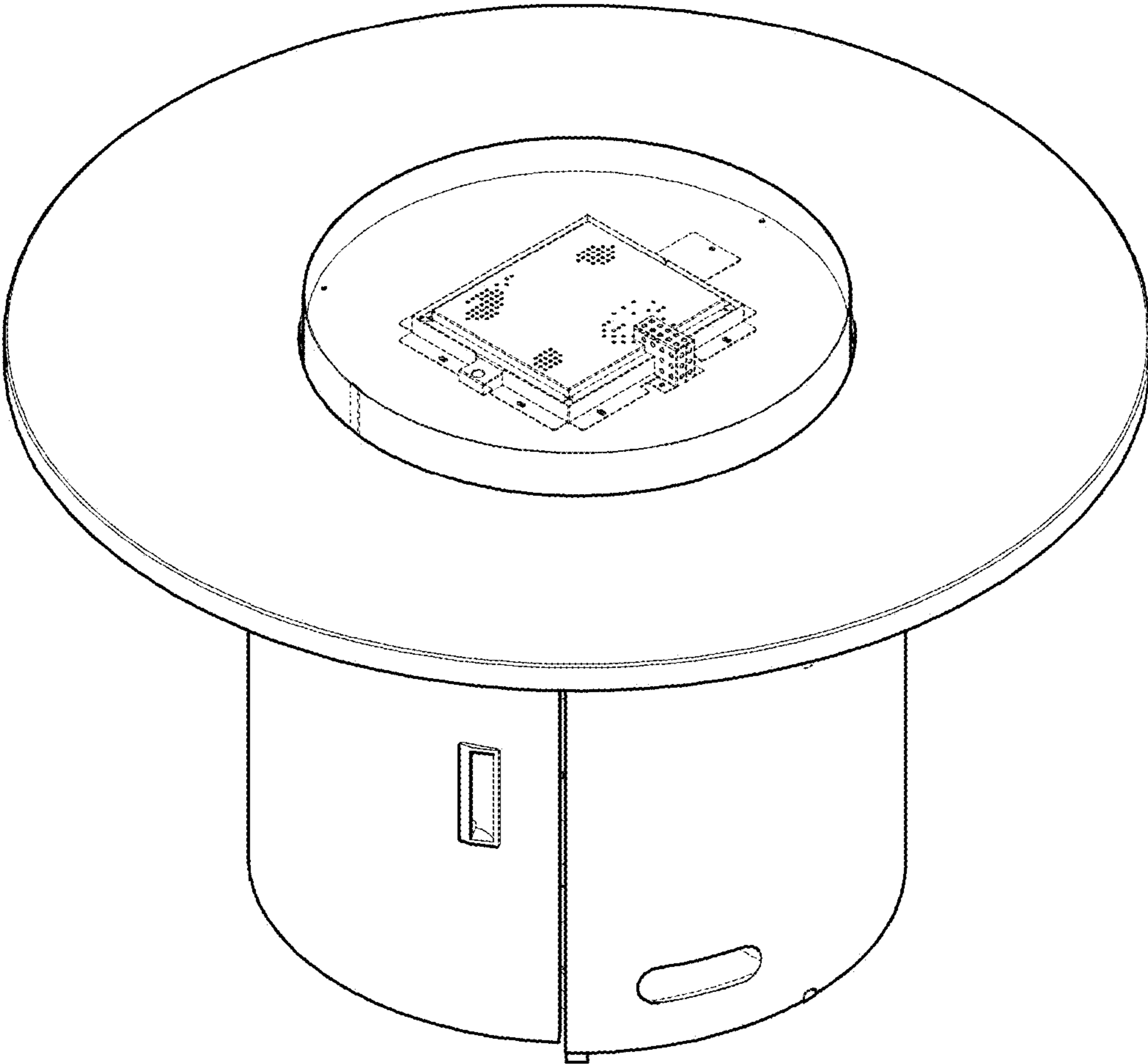


FIG. 1

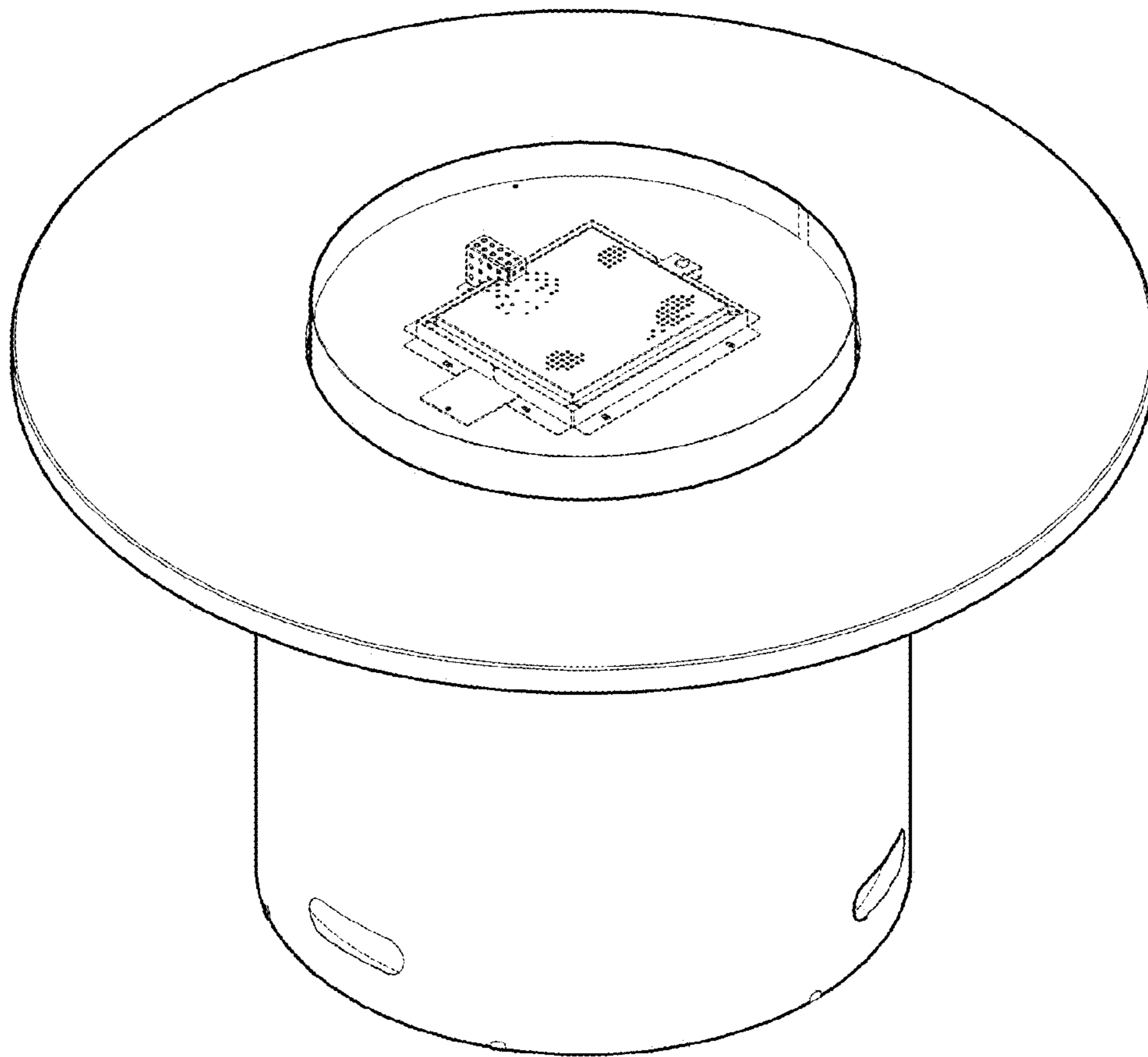


FIG. 2

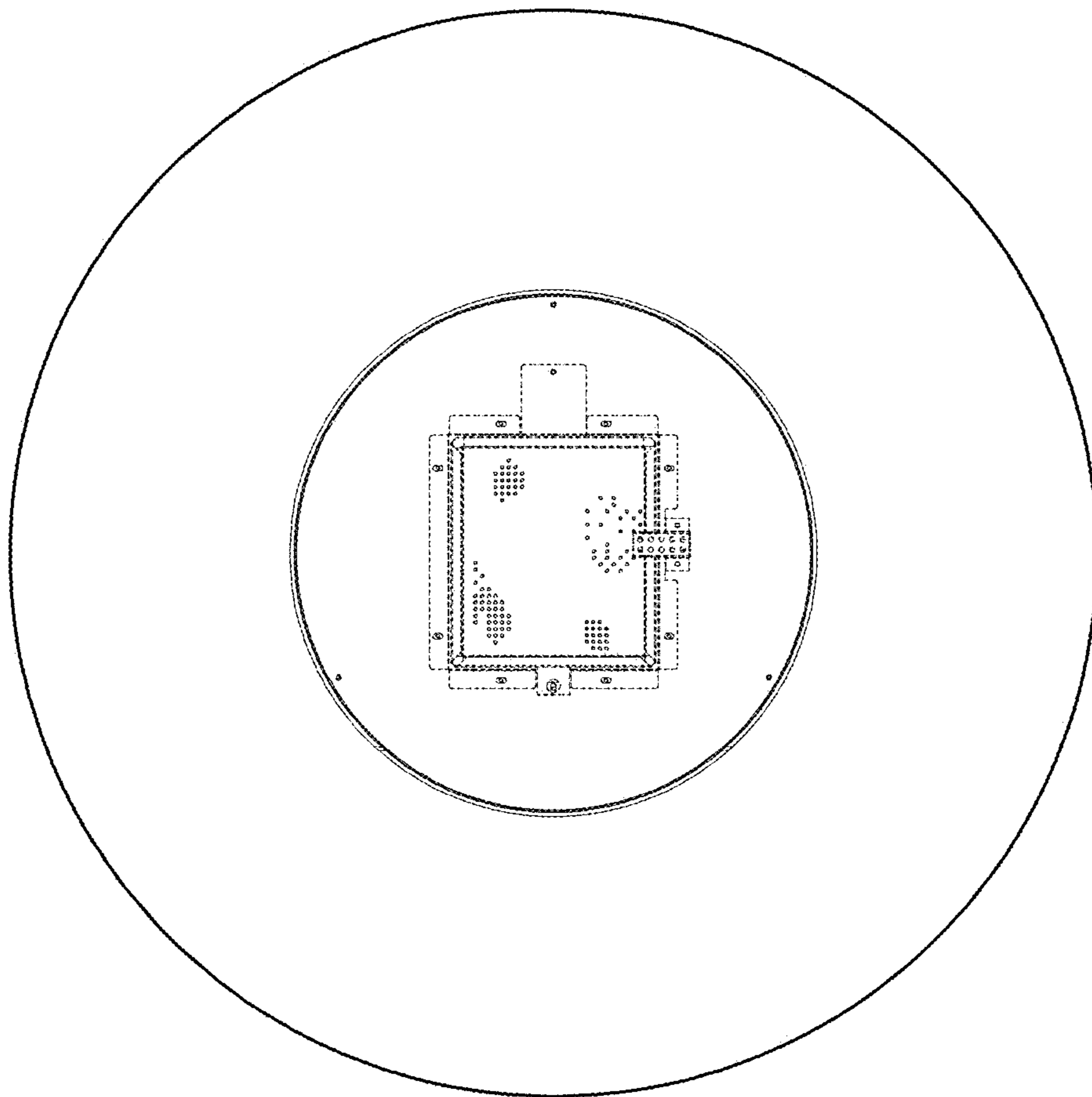


FIG. 3

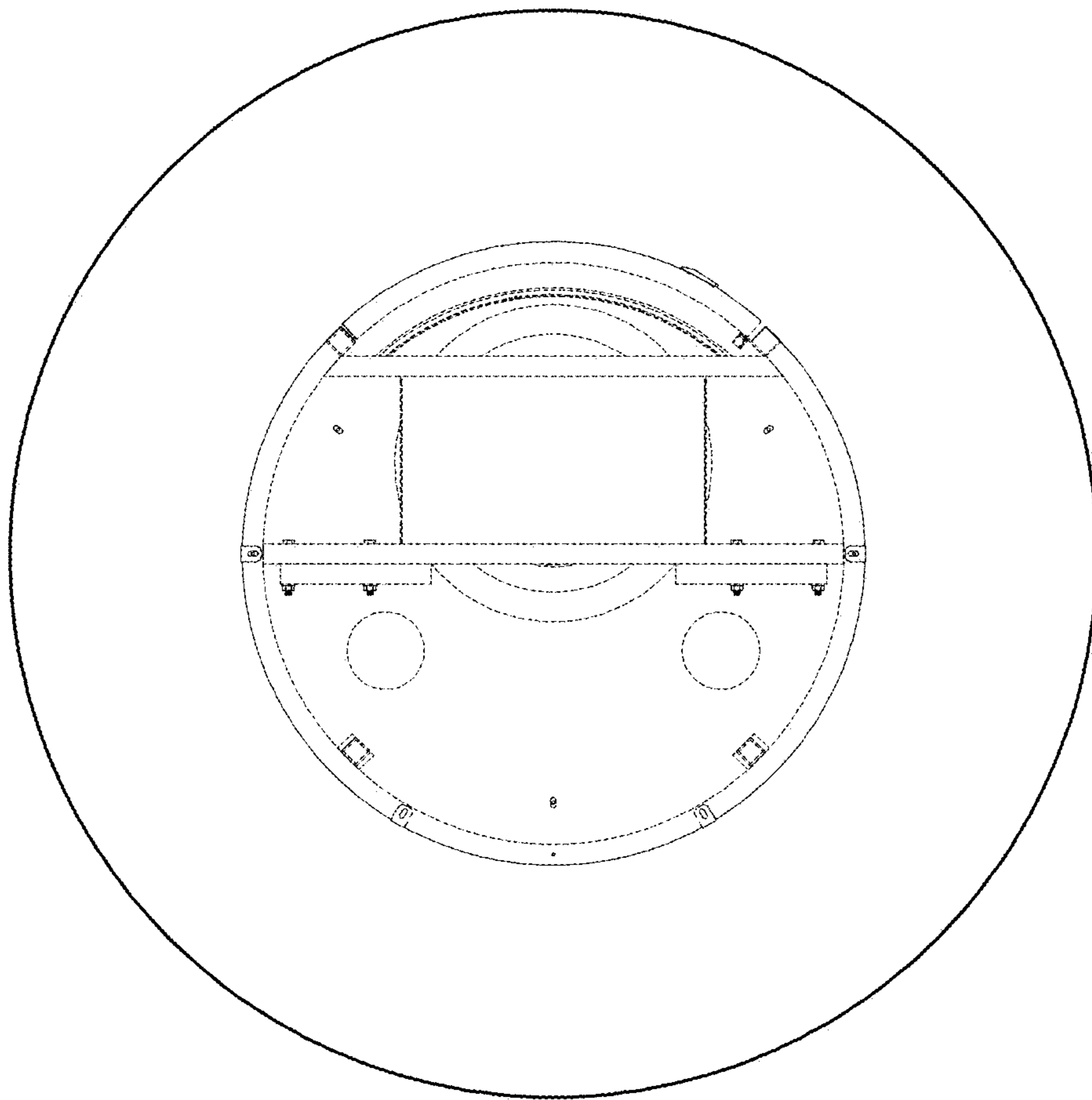


FIG. 4

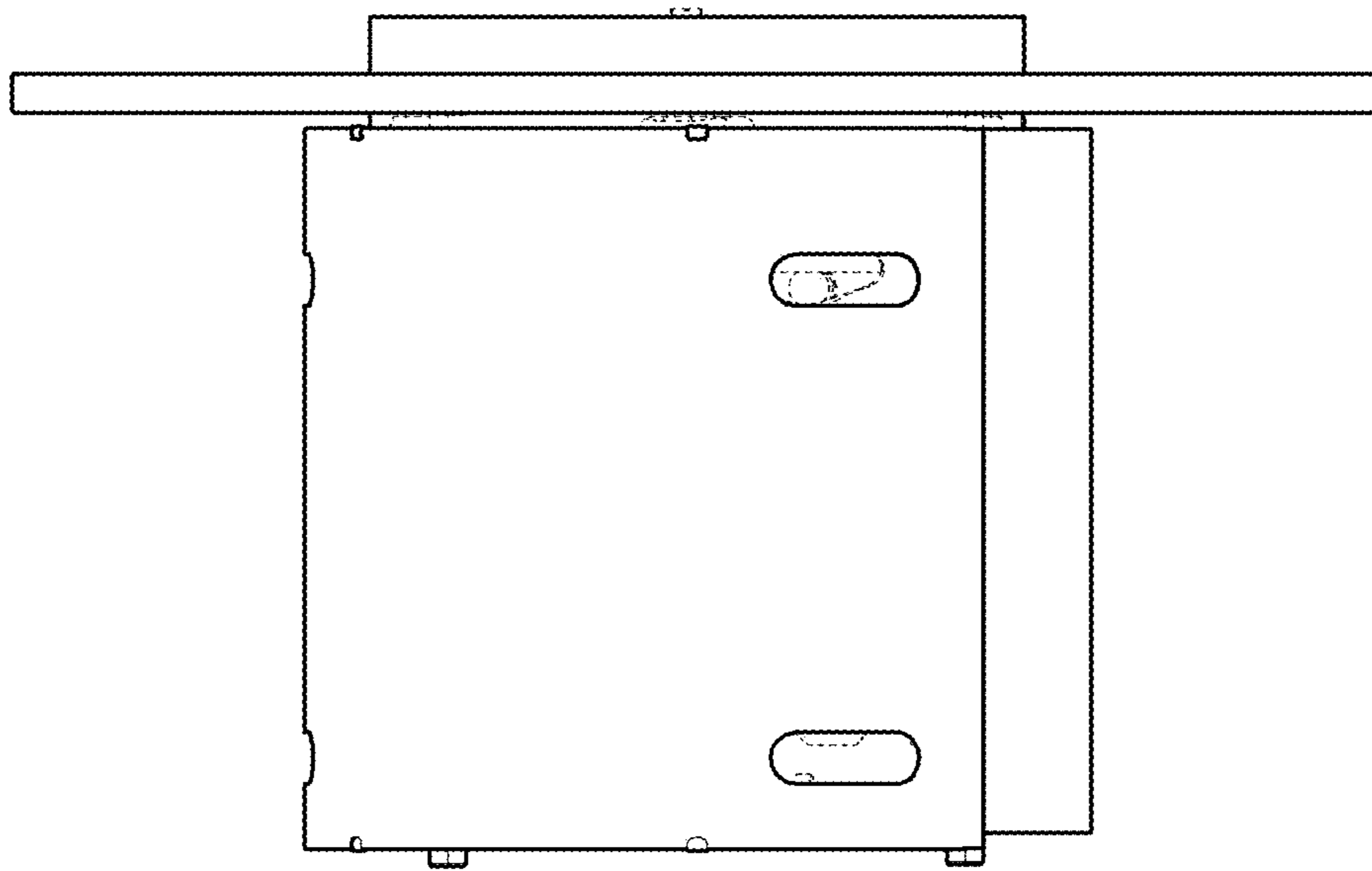


FIG. 5

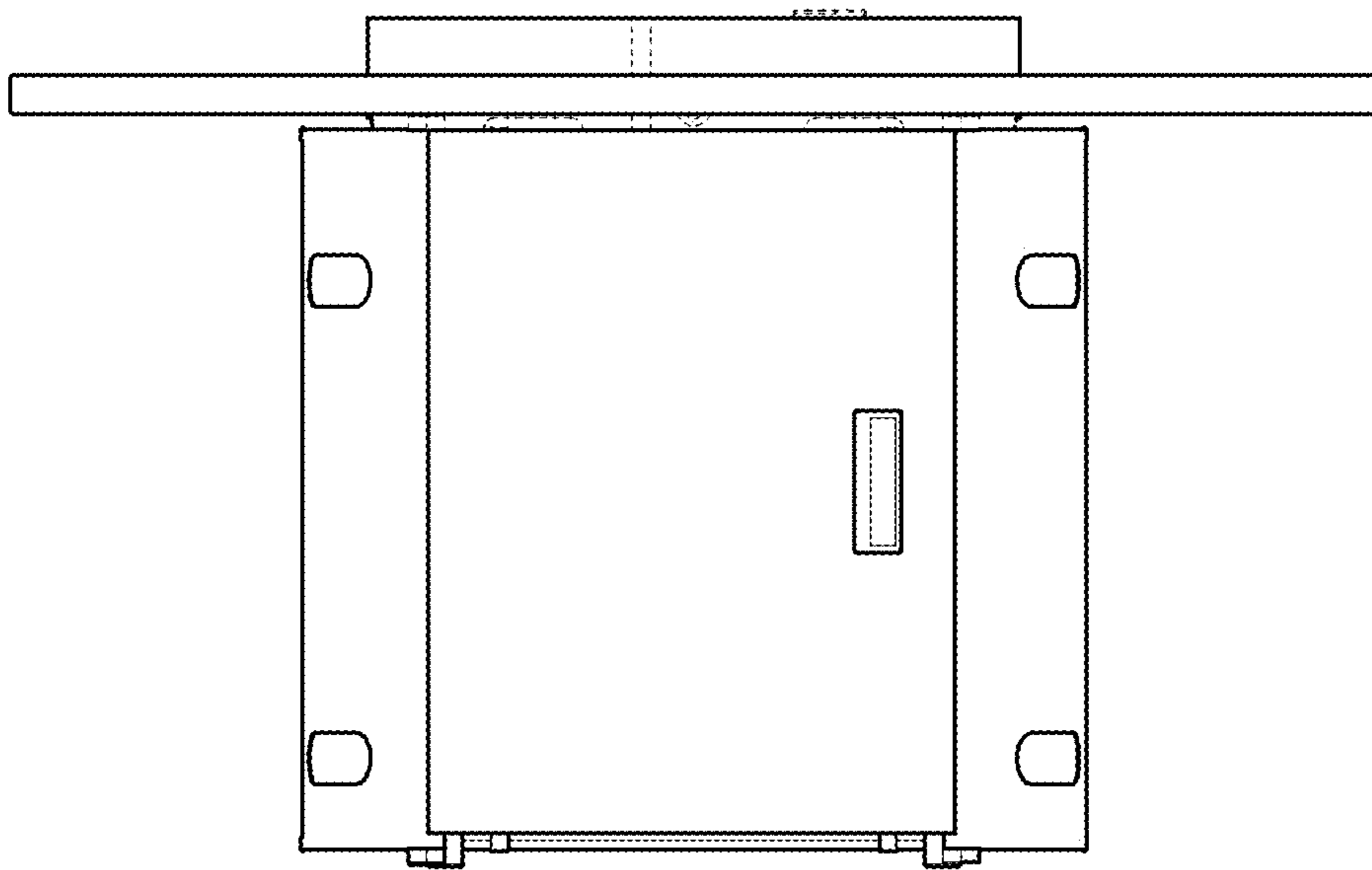


FIG. 6

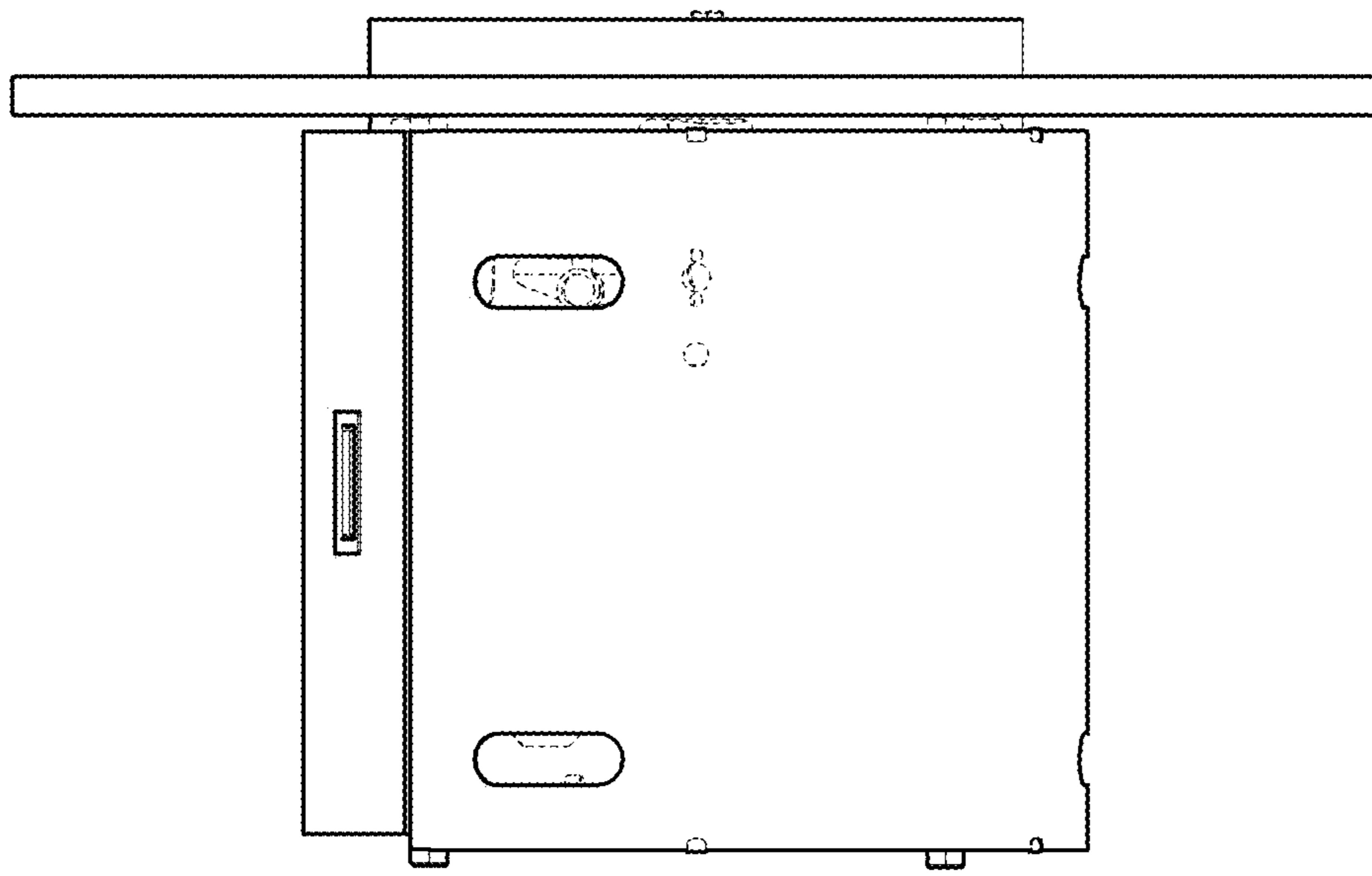


FIG. 7

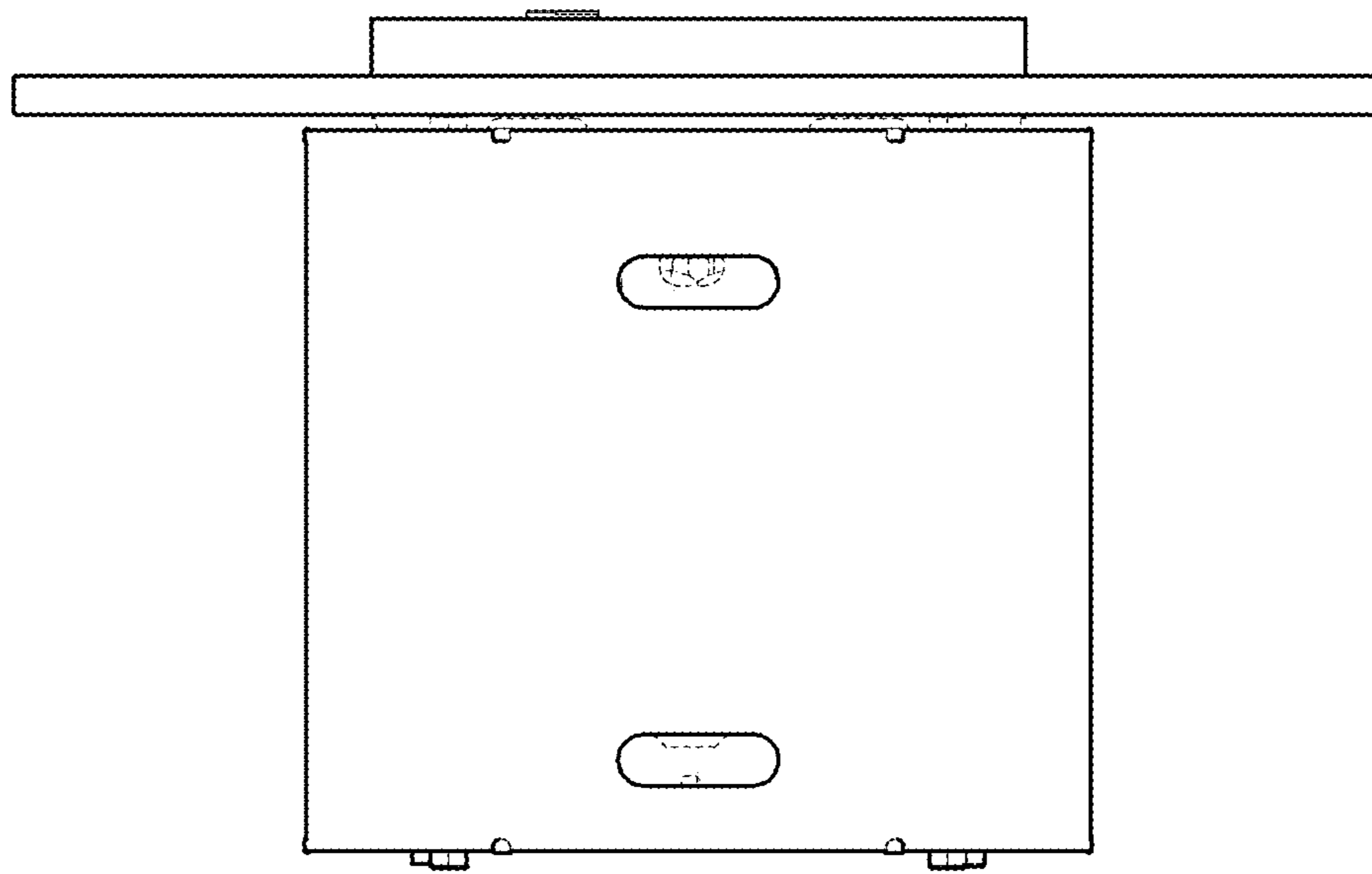


FIG. 8

UNITED STATES PATENT AND TRADEMARK OFFICE
CERTIFICATE OF CORRECTION

PATENT NO. : D742,490 S
APPLICATION NO. : 29/511071
DATED : November 3, 2015
INVENTOR(S) : Jepson

Page 1 of 1

It is certified that error appears in the above-identified patent and that said Letters Patent is hereby corrected as shown below:

Title page

Insert -- (30) Jun. 5, 2014 (CA).....156937 --.

Signed and Sealed this
Tenth Day of May, 2016



Michelle K. Lee
Director of the United States Patent and Trademark Office