

US00D742488S

(12) **United States Design Patent**
Iinuma et al.

(10) **Patent No.:** **US D742,488 S**
(45) **Date of Patent:** **** Nov. 3, 2015**

(54) **DRAIN PAN FOR HEAT EXCHANGER**

(71) Applicant: **mitsubishi electric corporation**, Tokyo (JP)

(72) Inventors: **Takahiro Iinuma**, Tokyo (JP); **Shoji Akamatsu**, Tokyo (JP)

(73) Assignee: **Mitsubishi Electric Corporation**, Tokyo (JP)

(**) Term: **14 Years**

(21) Appl. No.: **29/485,778**

(22) Filed: **Mar. 21, 2014**

(30) **Foreign Application Priority Data**

Sep. 24, 2013 (JP) 2013-021969

(51) **LOC (10) Cl.** **23-03**

(52) **U.S. Cl.**
USPC **D23/323**

(58) **Field of Classification Search**
USPC D23/385-395, 397, 370-373, 365, 351,
D23/354, 399-403, 421, 499, 259, 200, 314,
D23/323, 341, 333; 62/291, 288, 285;
29/890.035; 220/571; 413/1
CPC F24F 13/22; F24F 1/0007
See application file for complete search history.

(56) **References Cited**

U.S. PATENT DOCUMENTS

5,901,566 A * 5/1999 Macosko et al. 62/285
5,904,053 A * 5/1999 Polk et al. 62/285
5,987,909 A * 11/1999 Martin, Sr. 62/291
6,112,536 A * 9/2000 Hansen 62/285

6,691,884 B1 * 2/2004 Dwyer 220/4.03
7,418,827 B2 * 9/2008 Rios 62/285
8,813,517 B2 * 8/2014 Lee et al. 62/274
8,869,548 B2 * 10/2014 Piccione 62/291
D720,447 S * 12/2014 Korda D23/386
2005/0109053 A1 * 5/2005 Eom et al. 62/285
2008/0047289 A1 * 2/2008 Patrick et al. 62/285
2008/0245802 A1 * 10/2008 Gray 220/571
2010/0175408 A1 * 7/2010 Korda 62/291
2011/0265508 A1 * 11/2011 Piccione 62/291
2012/0159981 A1 * 6/2012 Beck et al. 62/291

* cited by examiner

Primary Examiner — T. Chase Nelson

Assistant Examiner — Ania Aman

(74) *Attorney, Agent, or Firm* — Studebaker & Brackett PC

(57) **CLAIM**

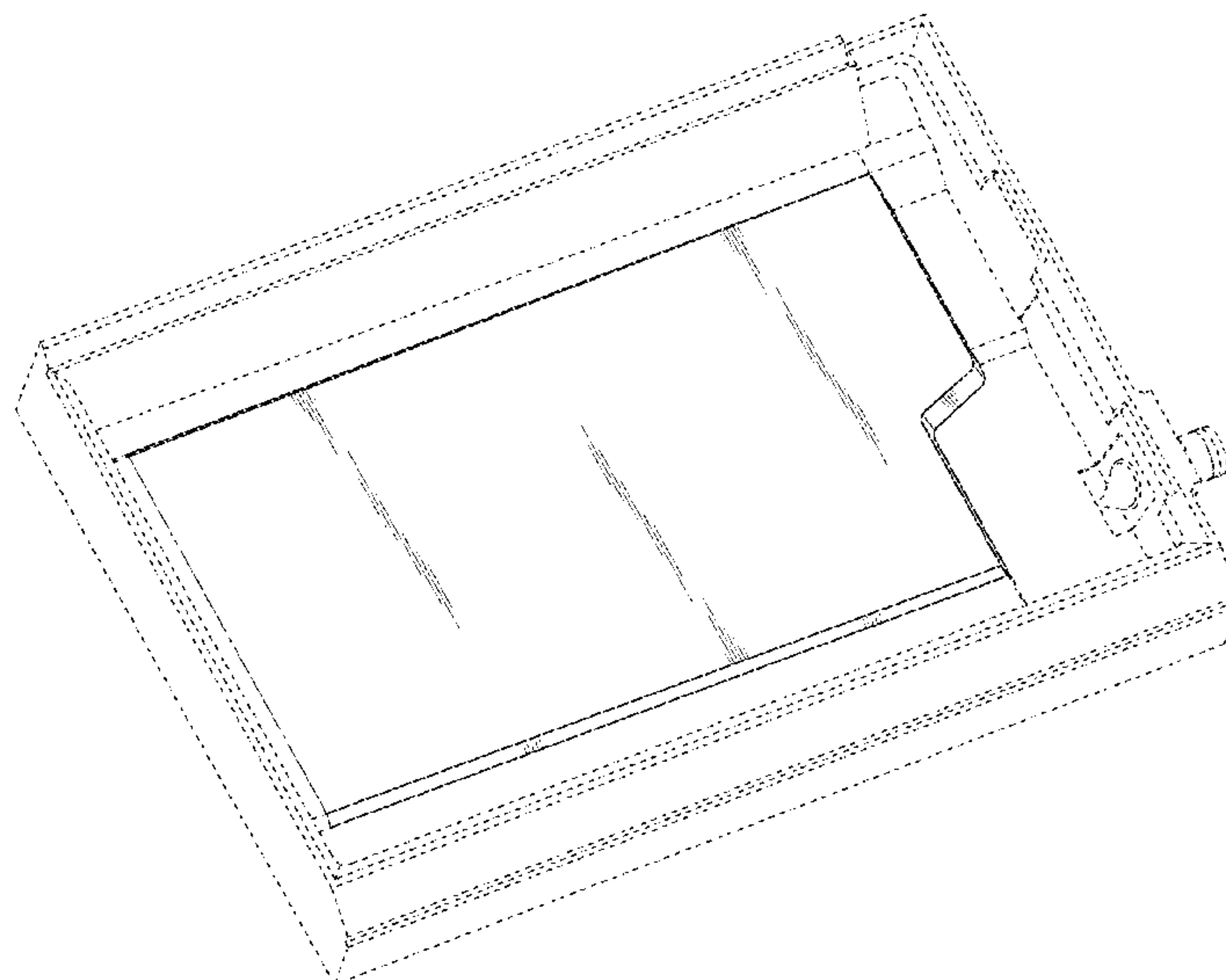
The ornamental design for a drain pan for heat exchanger, as shown and described.

DESCRIPTION

FIG. 1 is a front, bottom and left side perspective view of a drain pan for heat exchanger, showing our new design;
FIG. 2 is a front, bottom and right side perspective view thereof;
FIG. 3 is a front elevational view thereof;
FIG. 4 is a rear elevational view thereof;
FIG. 5 is a left side elevational view thereof;
FIG. 6 is a right side elevational view thereof;
FIG. 7 is a top plan view thereof;
FIG. 8 is a bottom plan view thereof; and,
FIG. 9 is a horizontal cross-sectional view thereof; taken along line 9-9 of FIG. 3.

The broken lines shown in the drawings are for the purpose of illustrating portions of the article that form no part of the claimed design.

1 Claim, 7 Drawing Sheets



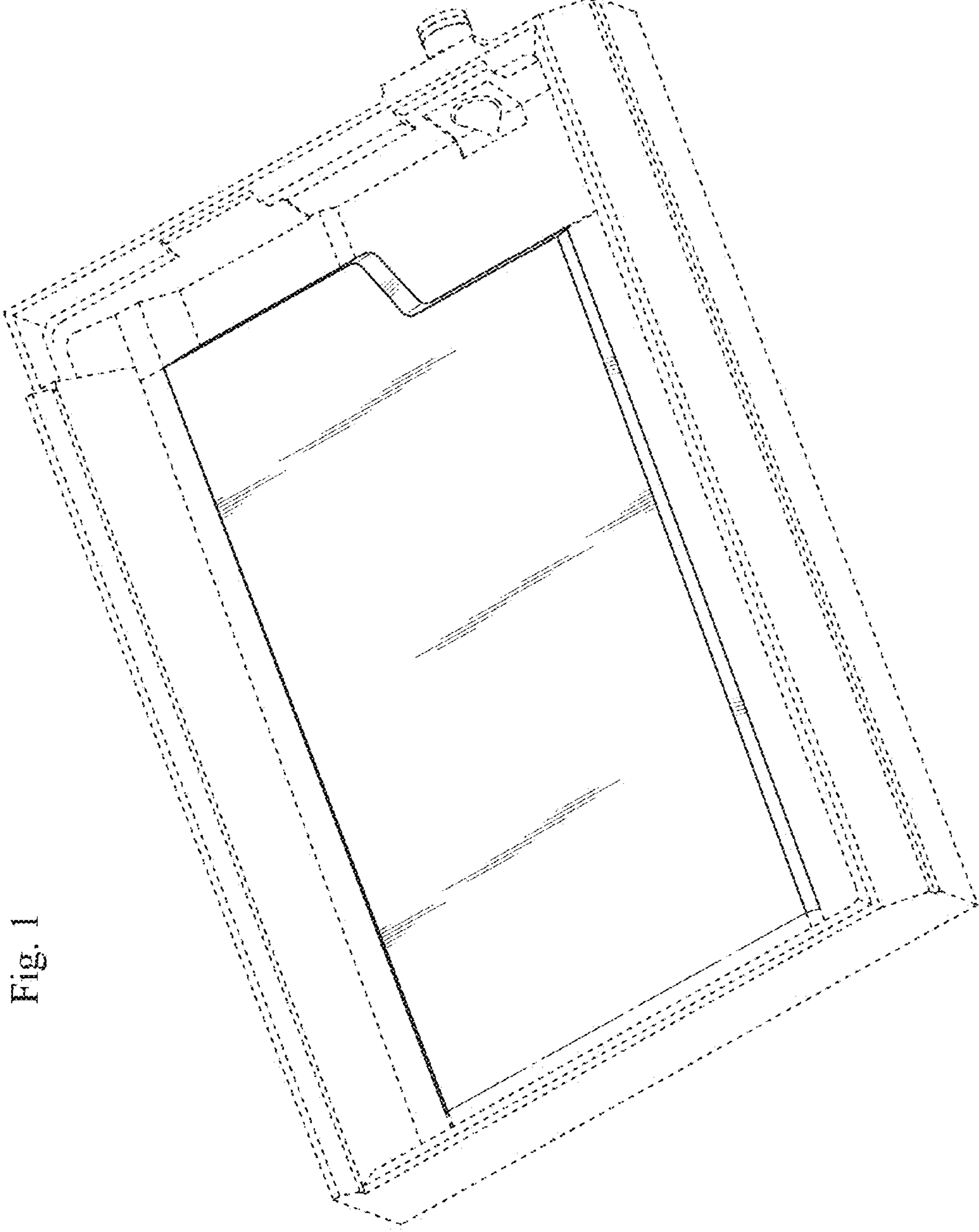


Fig. 1

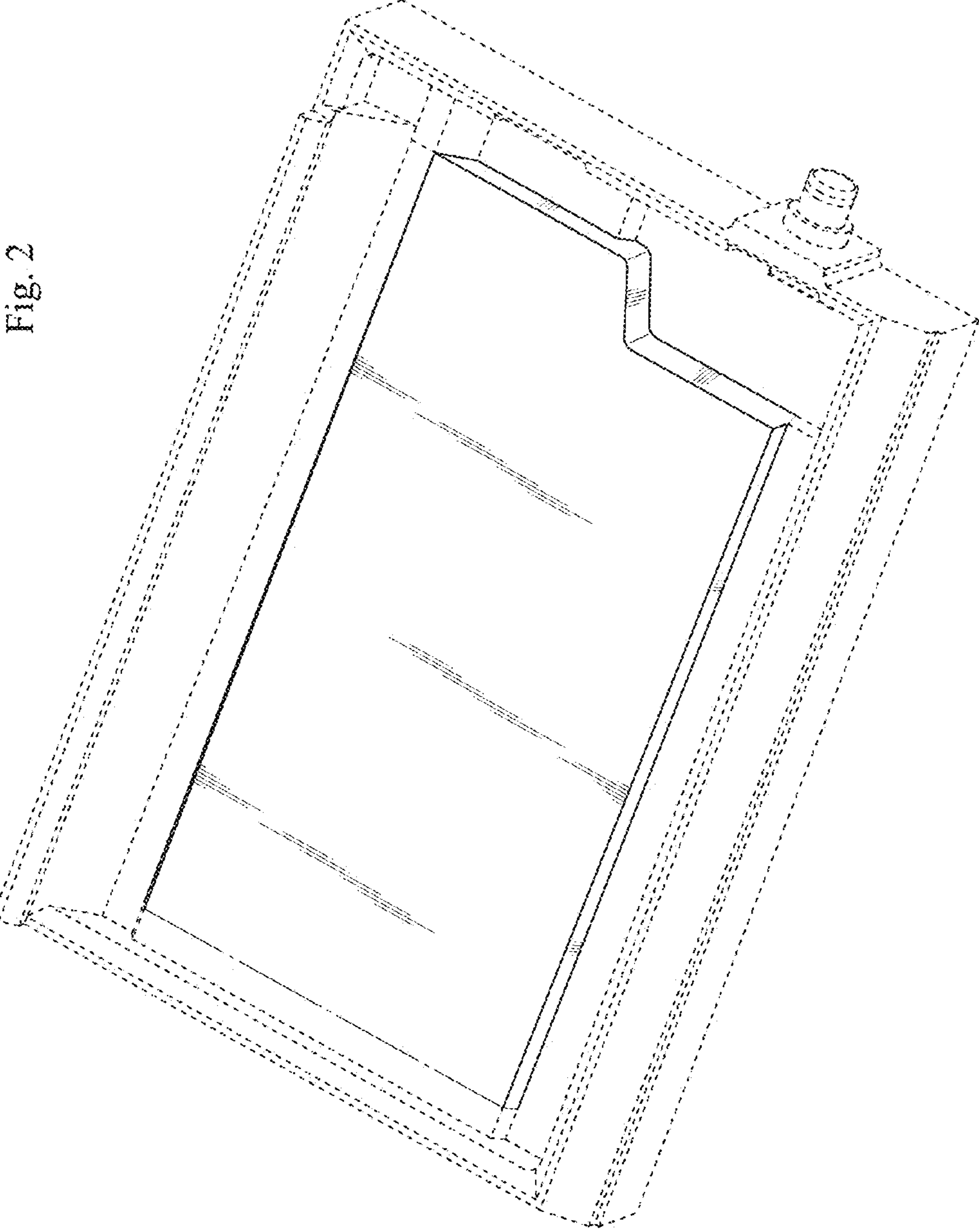


Fig. 2

Fig. 3

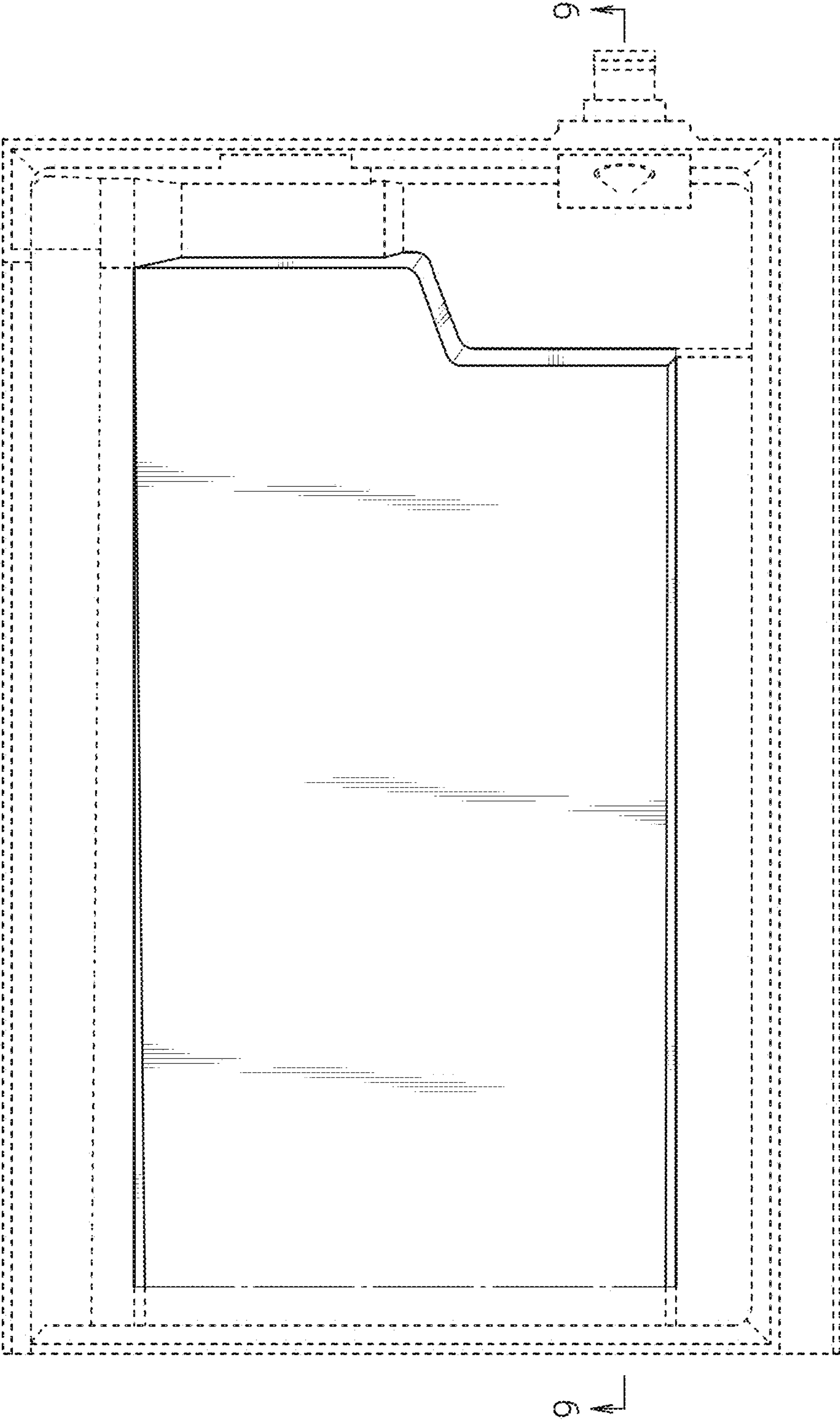


Fig. 4

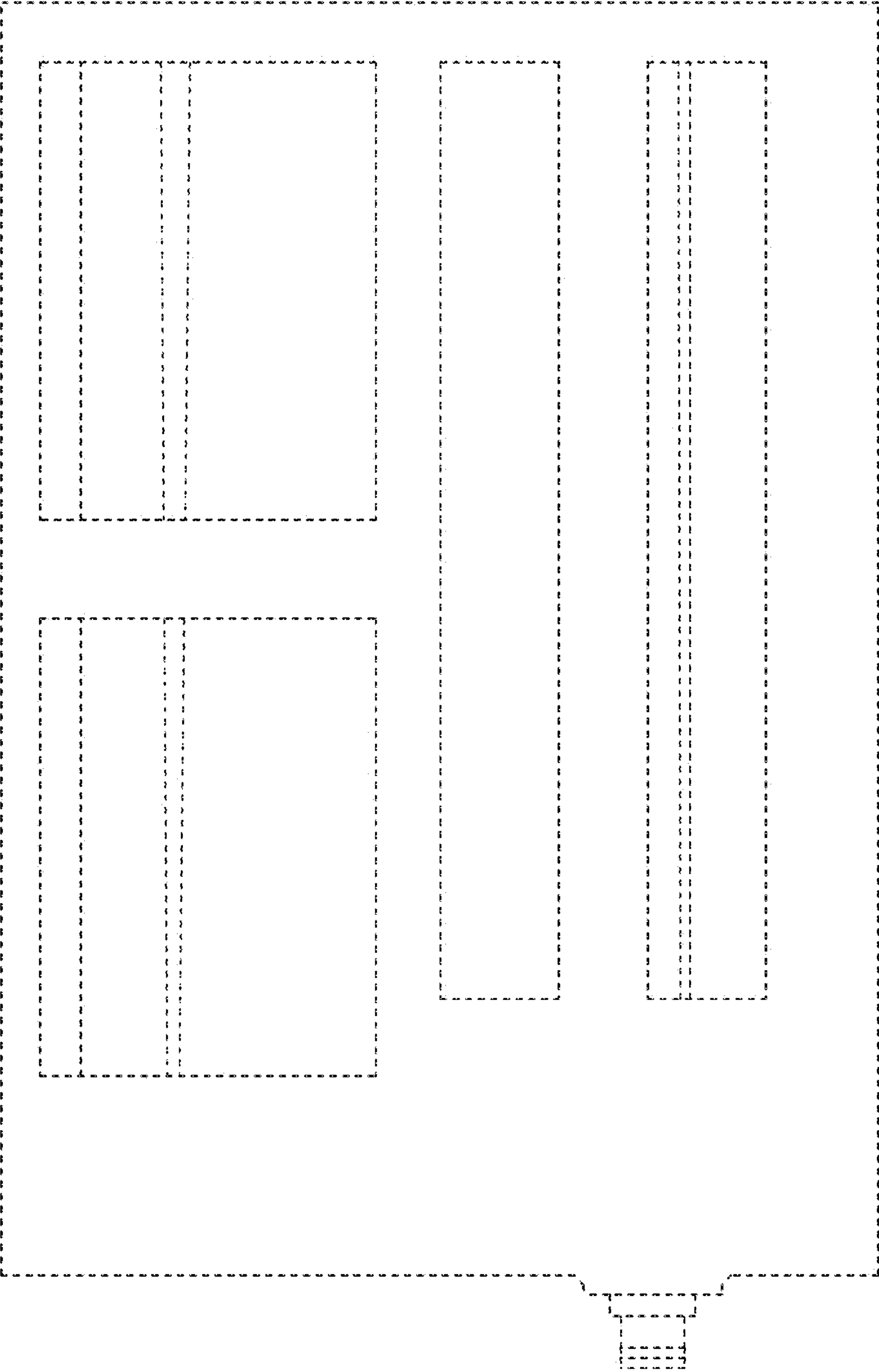


Fig. 6

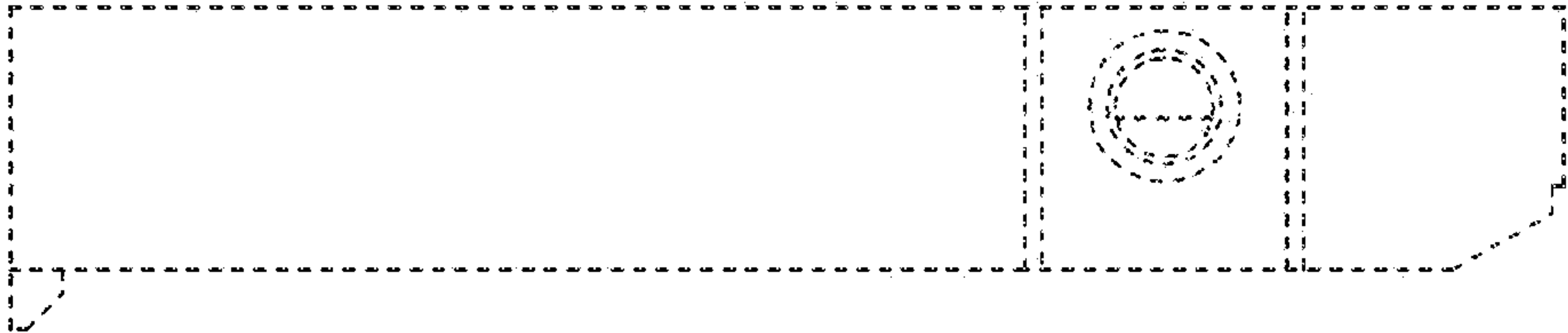


Fig. 5

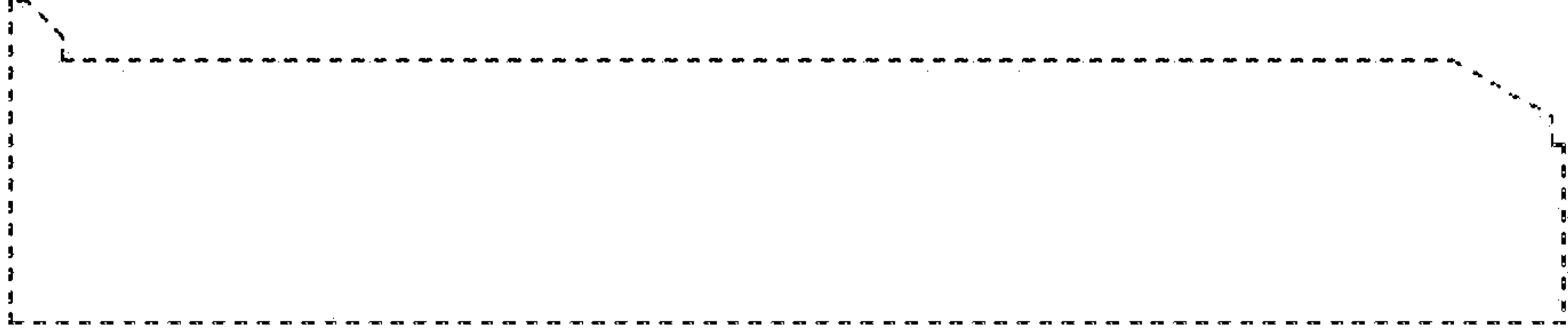


Fig. 7

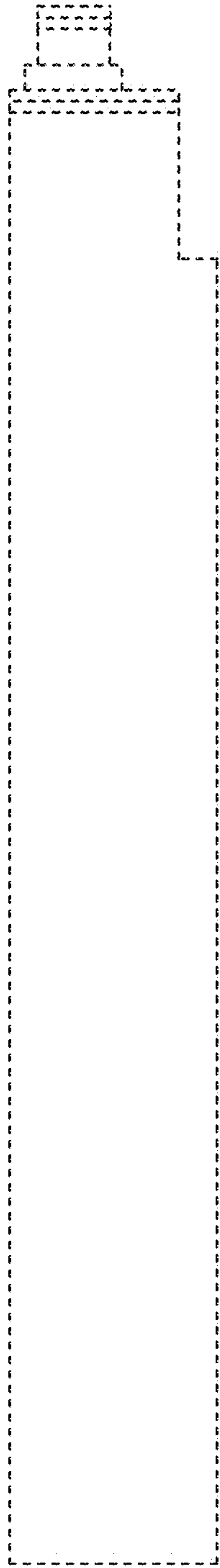


Fig. 8

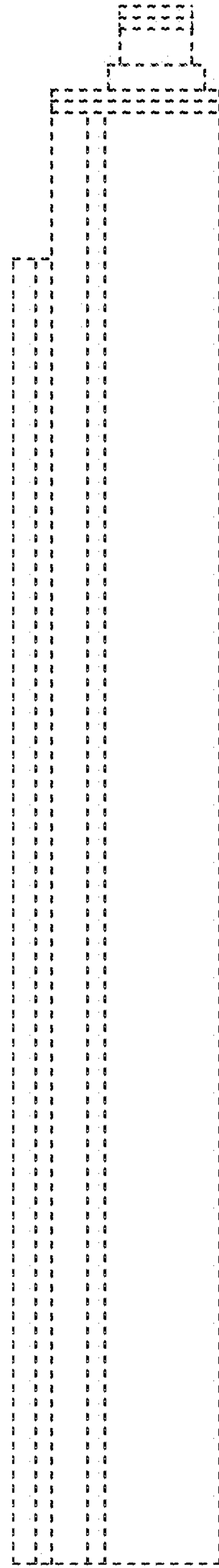


Fig. 9

