



US00D742485S

(12) **United States Design Patent**
Eilmus et al.

(10) **Patent No.:** **US D742,485 S**
(45) **Date of Patent:** **** Nov. 3, 2015**

- (54) **SINK**
- (71) Applicant: **Kohler Co.**, Kohler, WI (US)
- (72) Inventors: **Niels J. Eilmus**, Sheboygan, WI (US);
Jason R. Miller, Sheboygan Falls, WI (US)
- (73) Assignee: **KOHLER CO.**, Kohler, WI (US)
- (**) Term: **14 Years**
- (21) Appl. No.: **29/524,394**
- (22) Filed: **Apr. 20, 2015**

Primary Examiner — Robert Delehanty
(74) *Attorney, Agent, or Firm* — Foley & Lardner LLP

(57) **CLAIM**
We claim the ornamental design for a sink, as shown and described.

DESCRIPTION

FIG. 1 is a perspective view of another embodiment of the claimed design;
 FIG. 2 is a top view of the claimed design shown in FIG. 1;
 FIG. 3 is a bottom view of the claimed design shown in FIG. 1;
 FIG. 4 is a side view of the claimed design shown in FIG. 1;
 FIG. 5 is another side view of the claimed design shown in FIG. 1;
 FIG. 6 is another side view of the claimed design shown in FIG. 1;
 FIG. 7 is another side view of the claimed design shown in FIG. 1;
 FIG. 8 is a cross-sectional view of the claimed design shown in FIG. 1 taken along line 8-8 in FIG. 2;
 FIG. 9 is a cross-sectional view of the claimed design shown in FIG. 1 taken along line 9-9 in FIG. 2;
 FIG. 10 is an enlarged cross-sectional view of a portion of the claimed design shown in FIG. 1 taken along line 10-10 in FIG. 9;
 FIG. 11 is a cross-sectional view of the claimed design shown in FIG. 1 taken along line 11-11 in FIG. 2; and,
 FIG. 12 is a cross-sectional view of the claimed design shown in FIG. 1 taken along line 12-12 in FIG. 2.

The ornamental design which is claimed is shown in solid lines in the drawings. The broken lines in the drawings are for illustrative purposes only and form no part of the claimed design. Broken lines formed by equal length dashes show unclaimed portions of the design. Broken lines formed of unequal length dashes (i.e., dash-dot) show boundaries between claimed and unclaimed portions of the design.

Related U.S. Application Data

- (62) Division of application No. 29/506,980, filed on Oct. 22, 2014, now Pat. No. Des. 729,360, which is a division of application No. 29/485,636, filed on Mar. 20, 2014, now Pat. No. Des. 716,921, which is a division of application No. 29/448,207, filed on Mar. 11, 2013, now Pat. No. Des. 703,801.
- (51) **LOC (10) Cl.** **23-02**
- (52) **U.S. Cl.**
USPC **D23/308**
- (58) **Field of Classification Search**
USPC D23/272-274, 284, 286, 292-293.1,
D23/303, 308; 4/619; 126/383.1, 385.1
See application file for complete search history.

(56) **References Cited**

U.S. PATENT DOCUMENTS

1,070,424 A 8/1913 Danver
2,676,477 A 4/1954 Smith

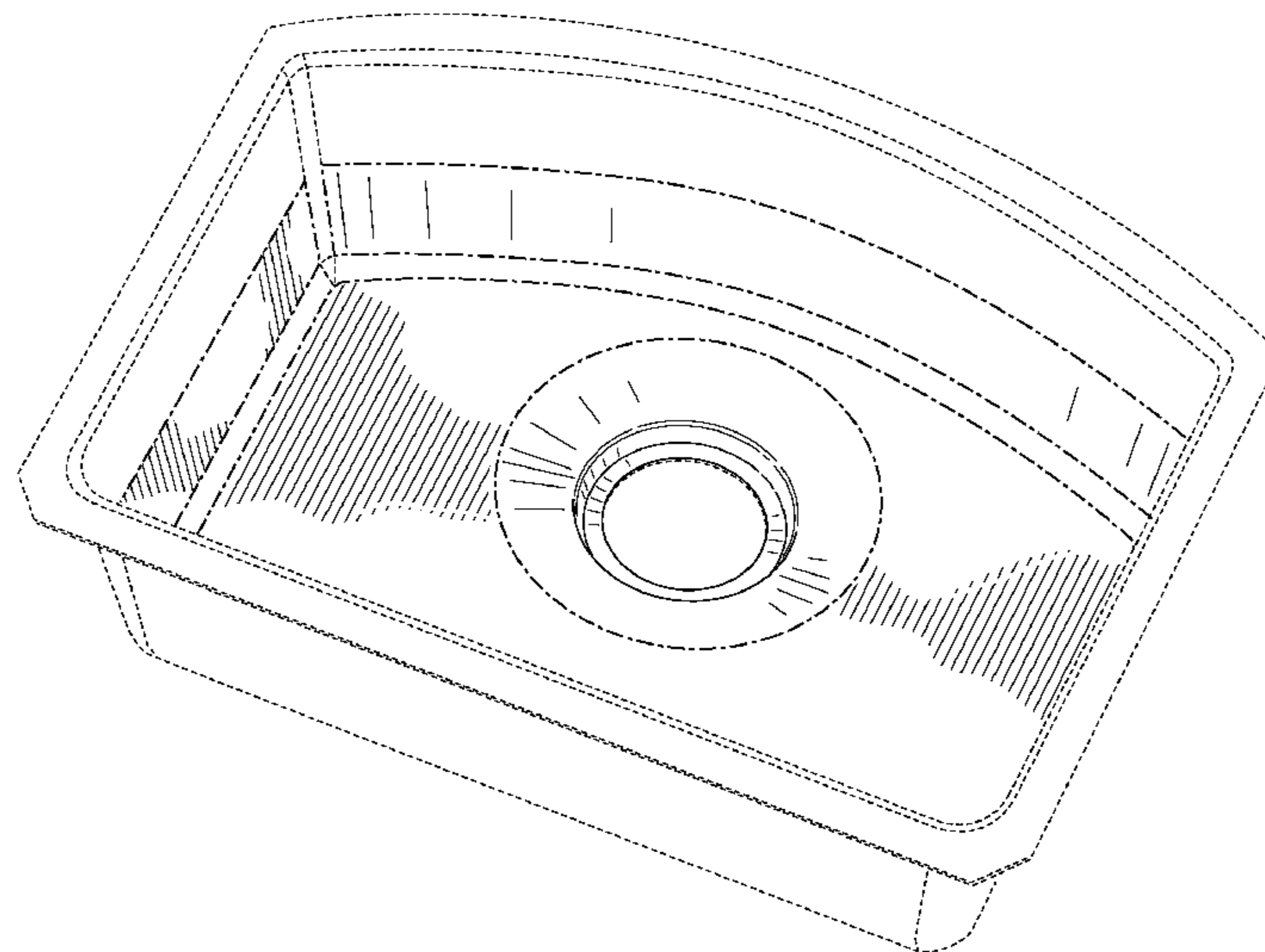
(Continued)

OTHER PUBLICATIONS

Response to Restriction Requirement mailed Oct. 28, 2013 in Application No. 29/448,206 (046150-1465).

(Continued)

1 Claim, 9 Drawing Sheets



(56)

References Cited

U.S. PATENT DOCUMENTS

3,196,864	A	7/1965	Johnson
4,242,763	A	1/1981	Walker
4,336,620	A	6/1982	Gresh
4,655,169	A	4/1987	Pullola
5,179,740	A	1/1993	Marsilio et al.
D389,901	S	1/1998	Kohler, Jr. et al.
5,715,547	A	2/1998	Becker et al.
6,085,362	A	7/2000	Huber
D442,679	S	5/2001	Roberts
6,484,330	B2	11/2002	Gray et al.
6,554,944	B1	4/2003	Peters et al.
D494,664	S	8/2004	Arnold
D544,073	S	6/2007	DeGarmo
D544,586	S	6/2007	Gilbert et al.
D545,416	S	6/2007	Maruhashi et al.

D561,879	S	2/2008	Gilbert et al.
D603,025	S	10/2009	Mahon
D632,373	S	2/2011	Kehrer et al.
D635,227	S	3/2011	DuFour
7,954,183	B2	6/2011	Cawthon
7,992,236	B2	8/2011	Degooyer
D677,772	S	3/2013	Mendoza et al.
8,424,123	B2	4/2013	Svensson
8,499,376	B2	8/2013	Kyung Kim
2006/0096018	A1	5/2006	Ball
2010/0251477	A1	10/2010	Bates
2011/0277694	A1	11/2011	Euse

OTHER PUBLICATIONS

Response to Restriction Requirement mailed Oct. 28, 2013 in U.S.
 Appl. No. 29/448,204.
 Response to Restriction Requirement mailed Oct. 25, 2013 in U.S.
 Appl. No. 29/448,203.

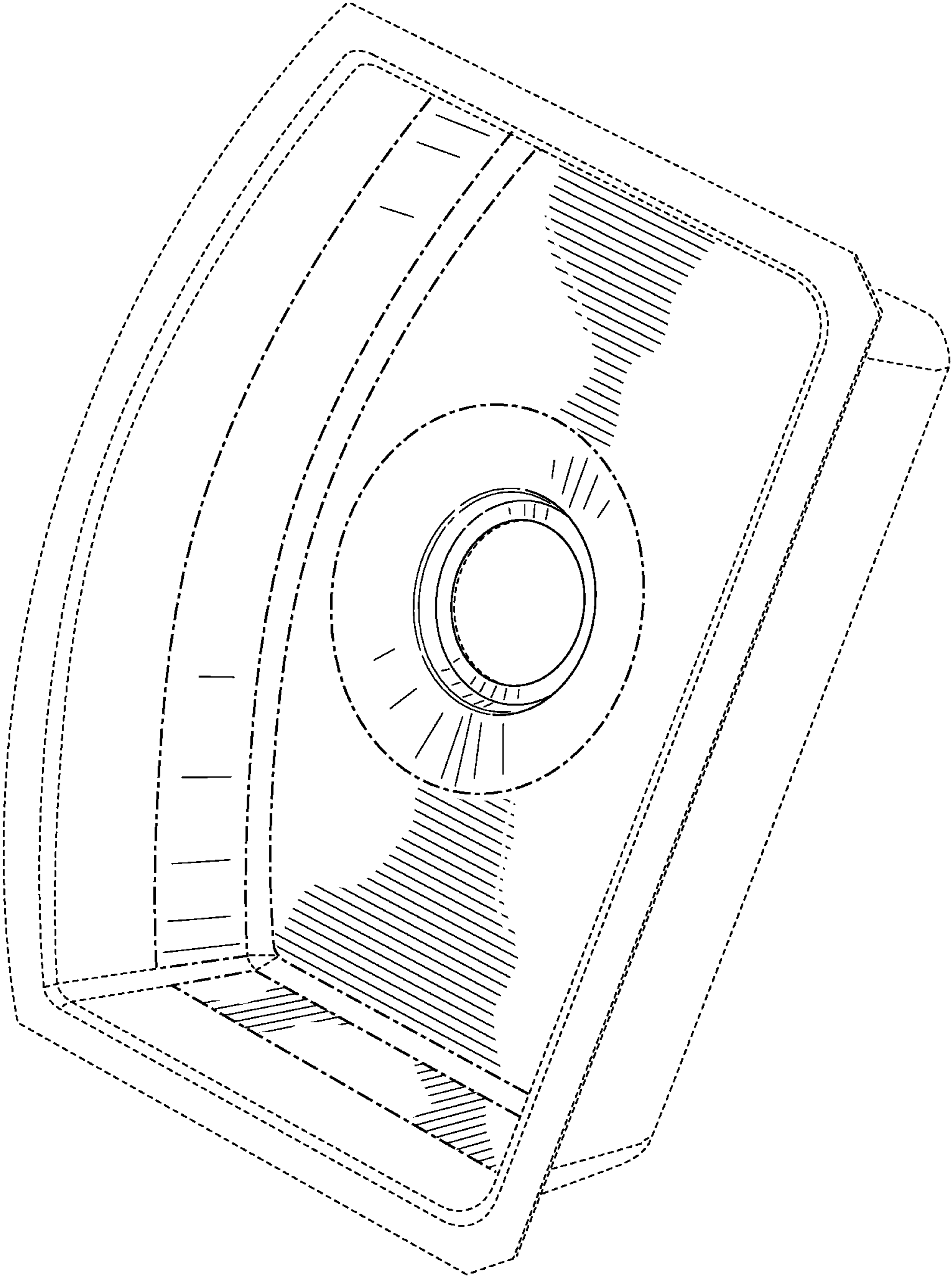


FIG. 1

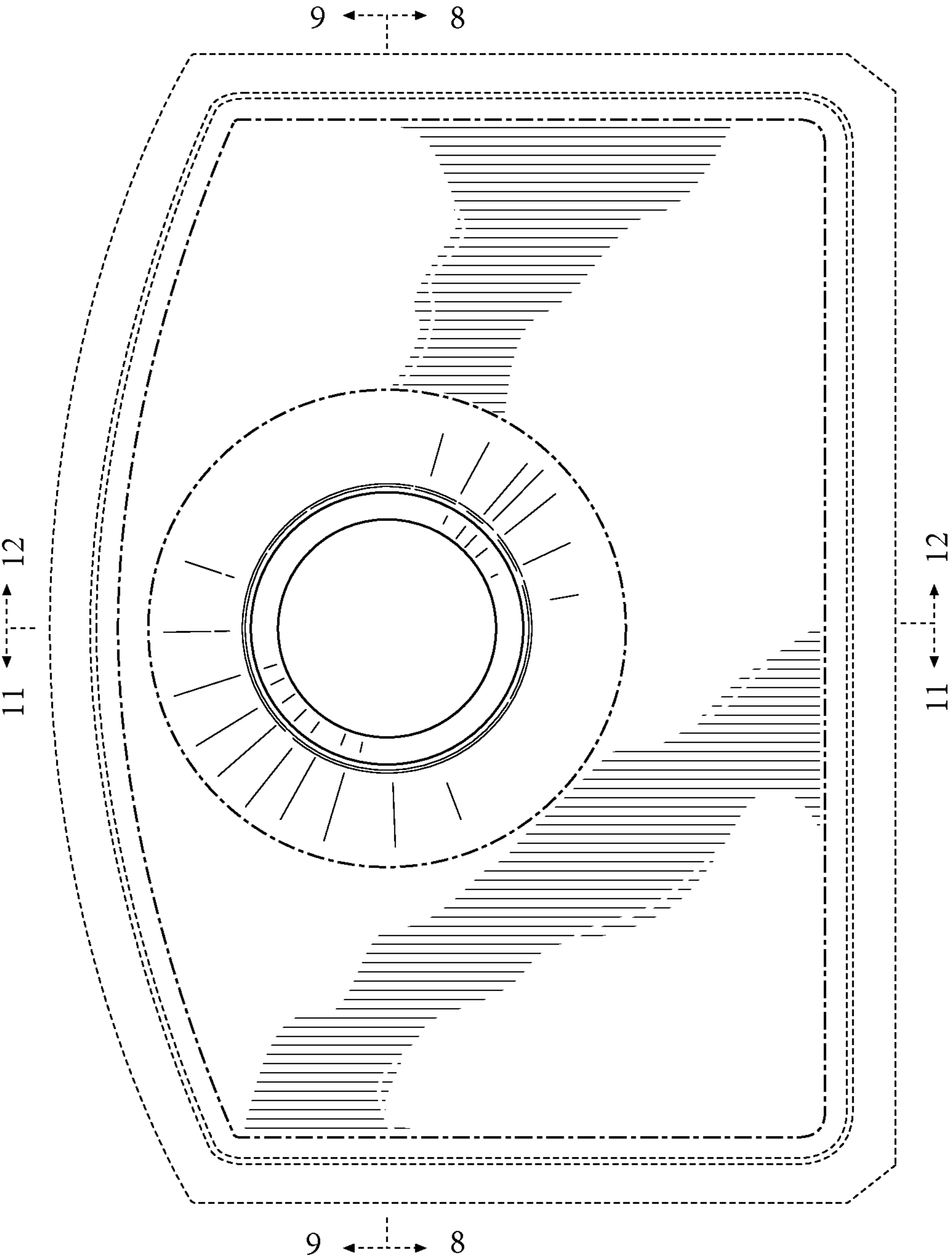


FIG. 2

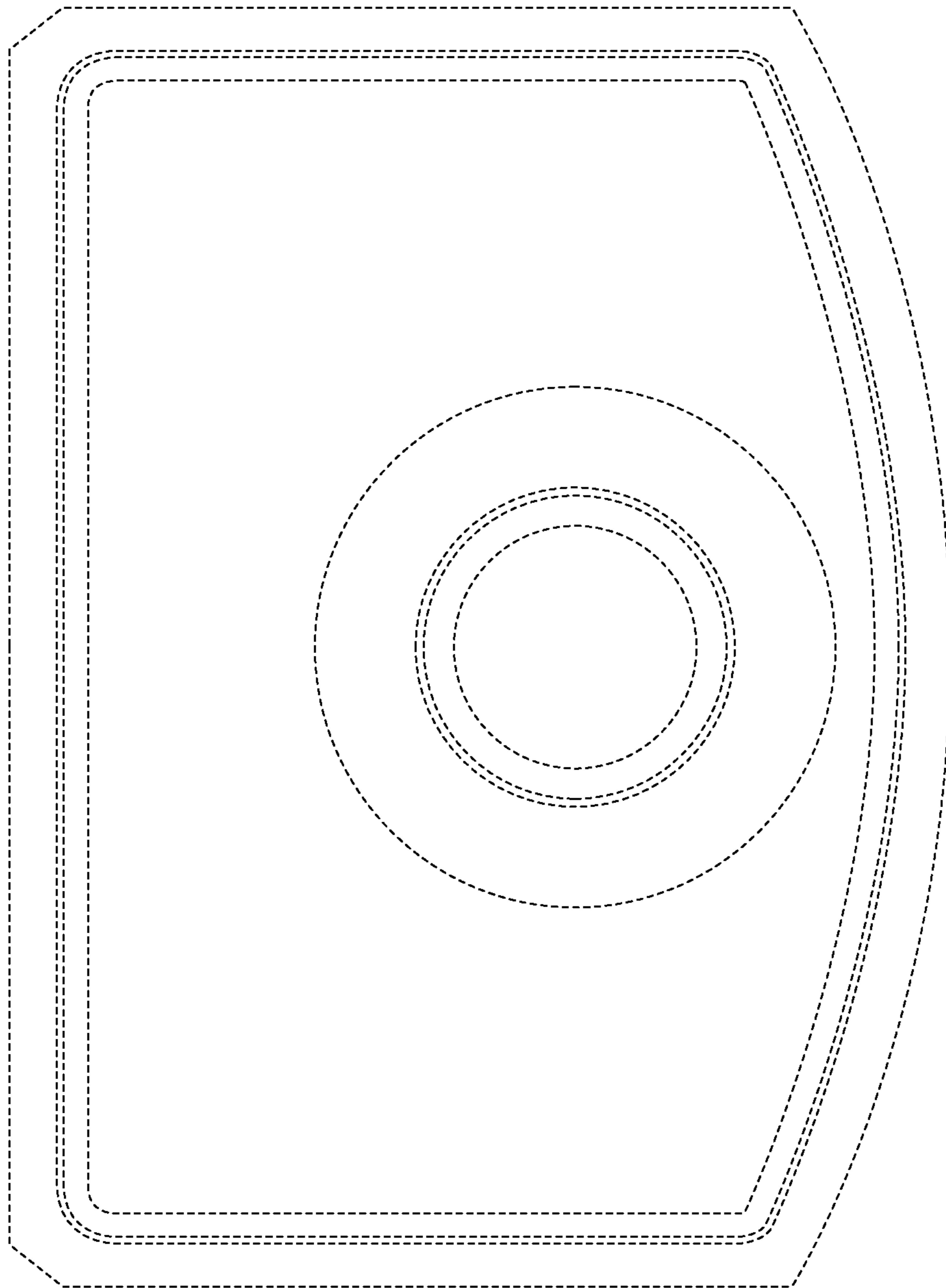


FIG. 3

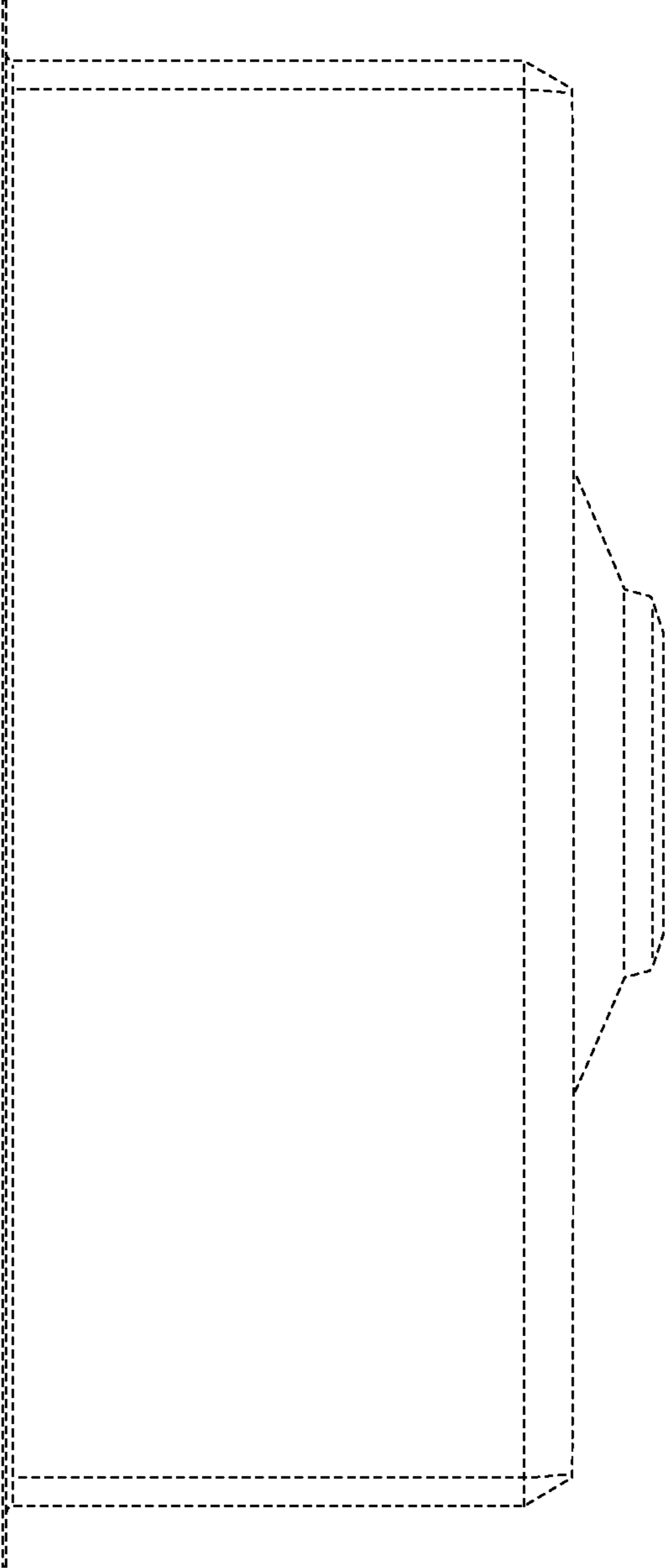


FIG. 4

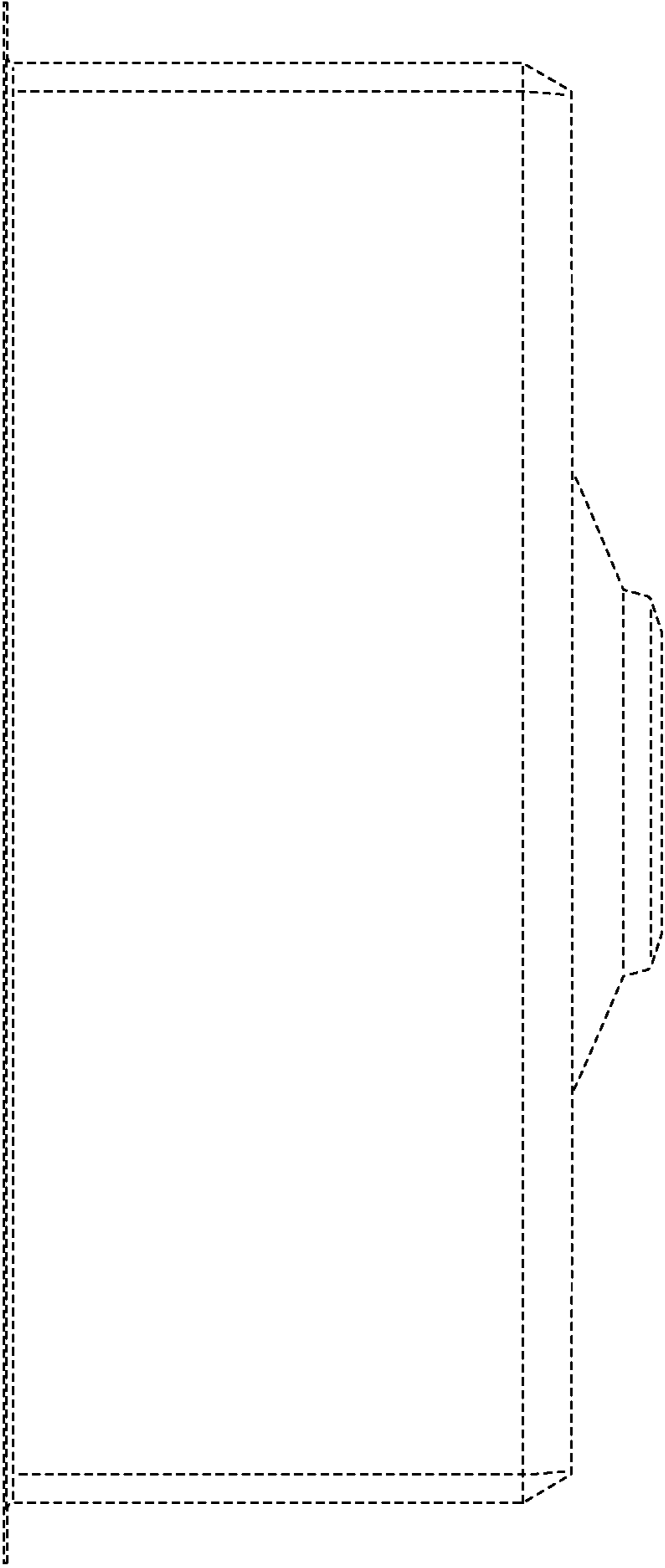


FIG. 5

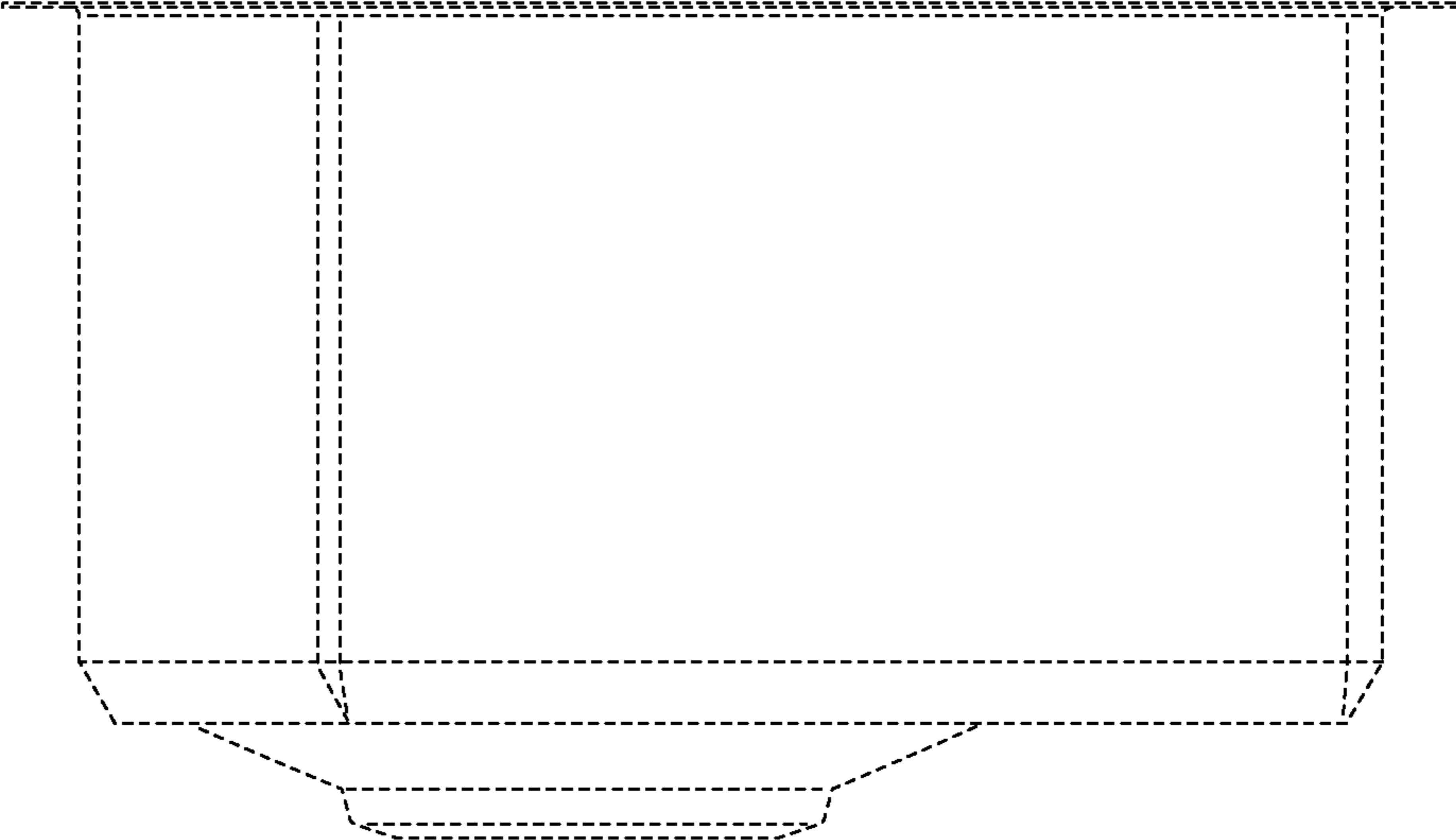


FIG. 6

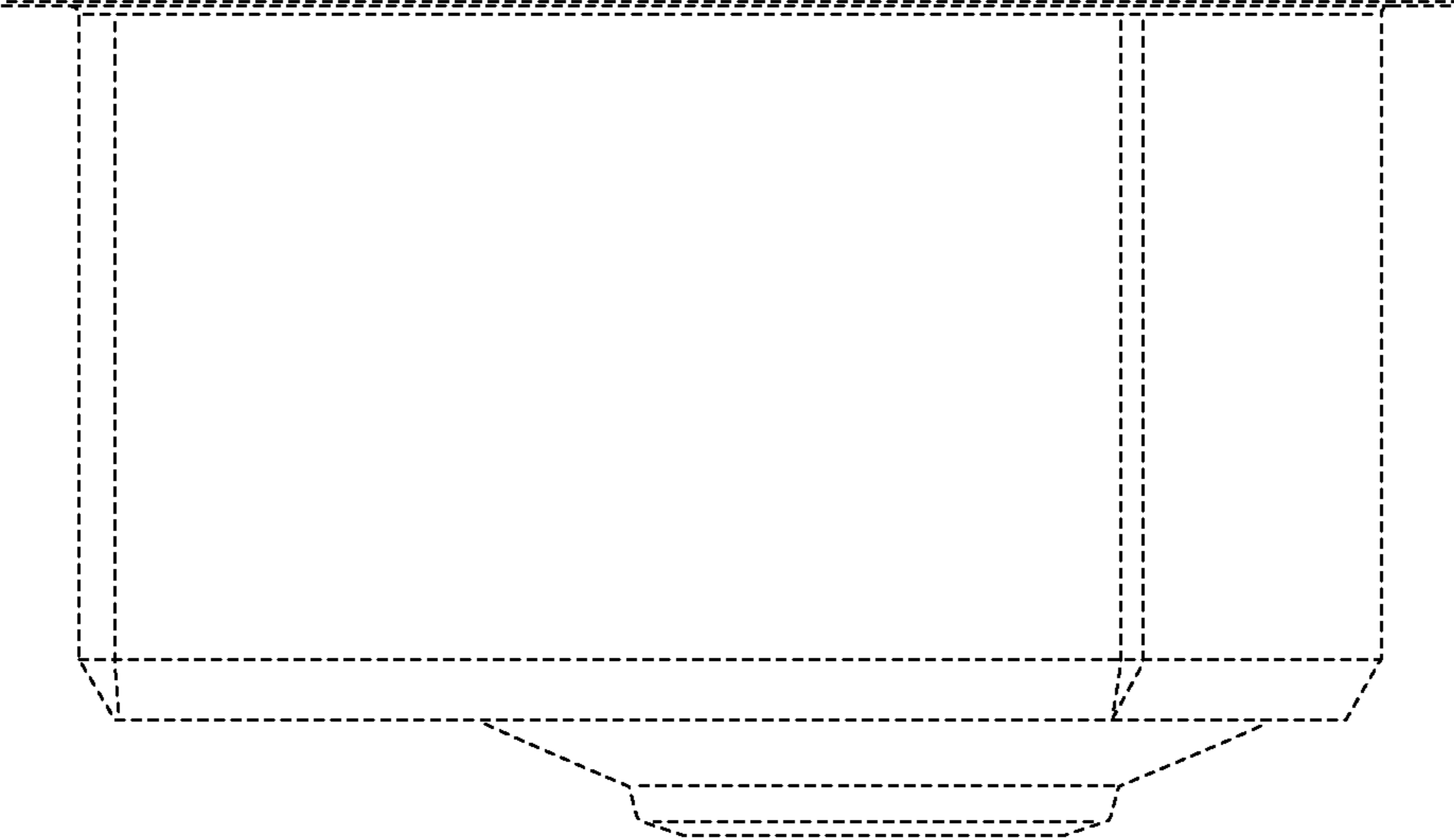


FIG. 7

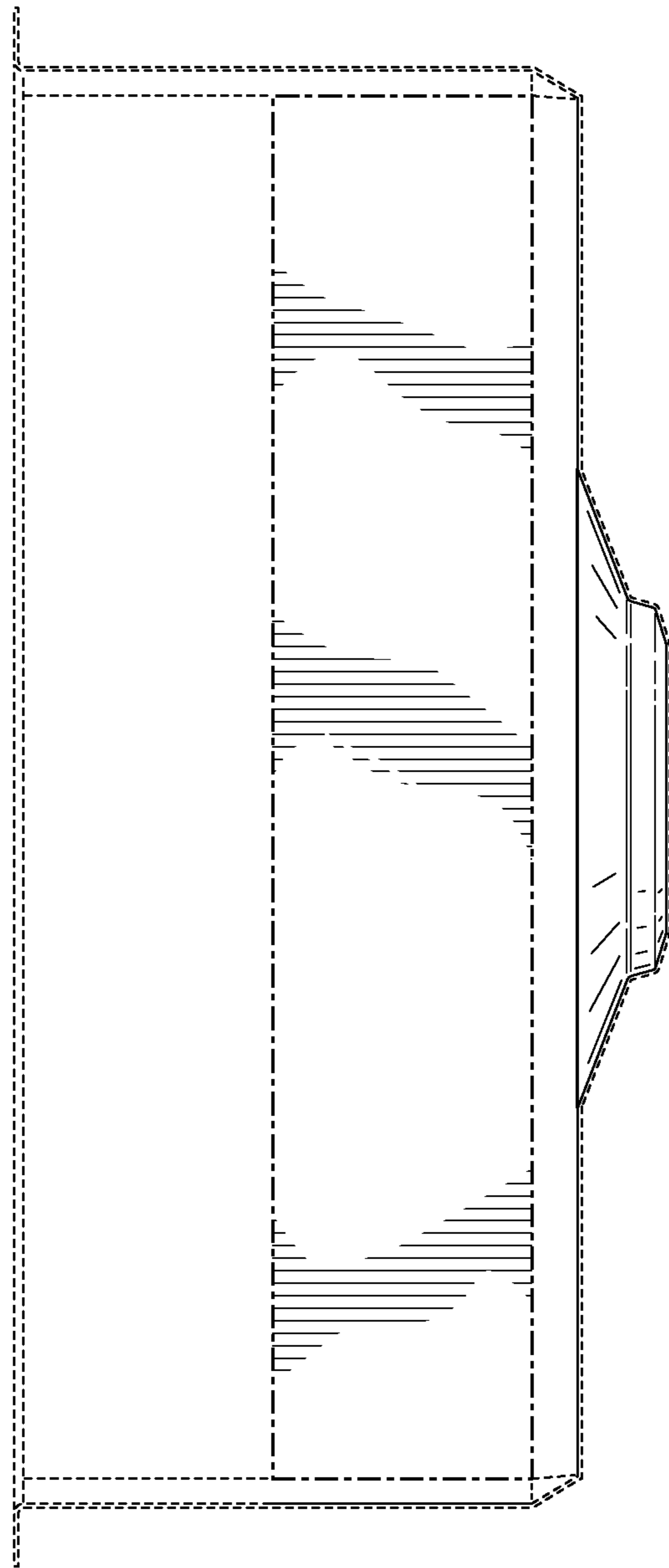


FIG. 8

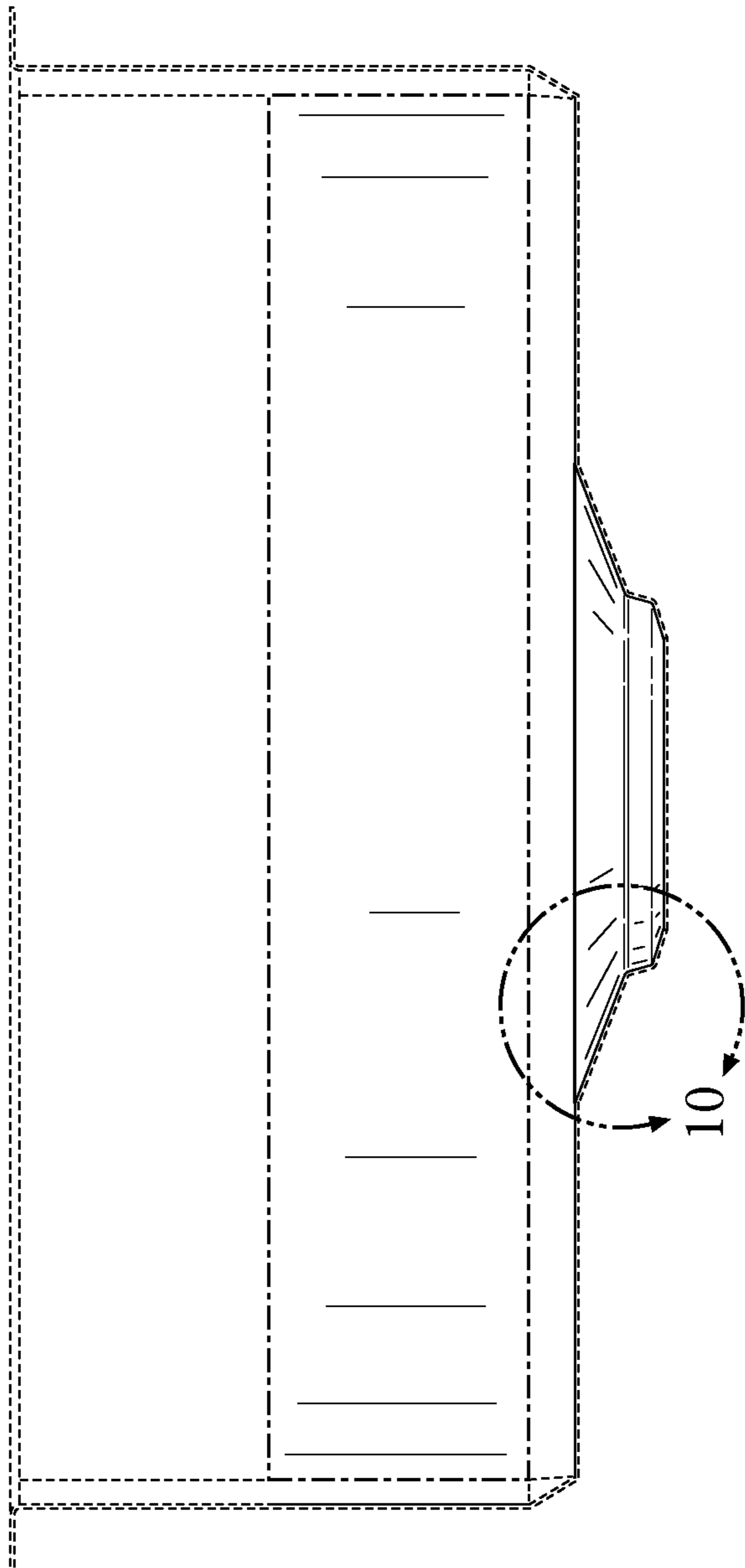


FIG. 9

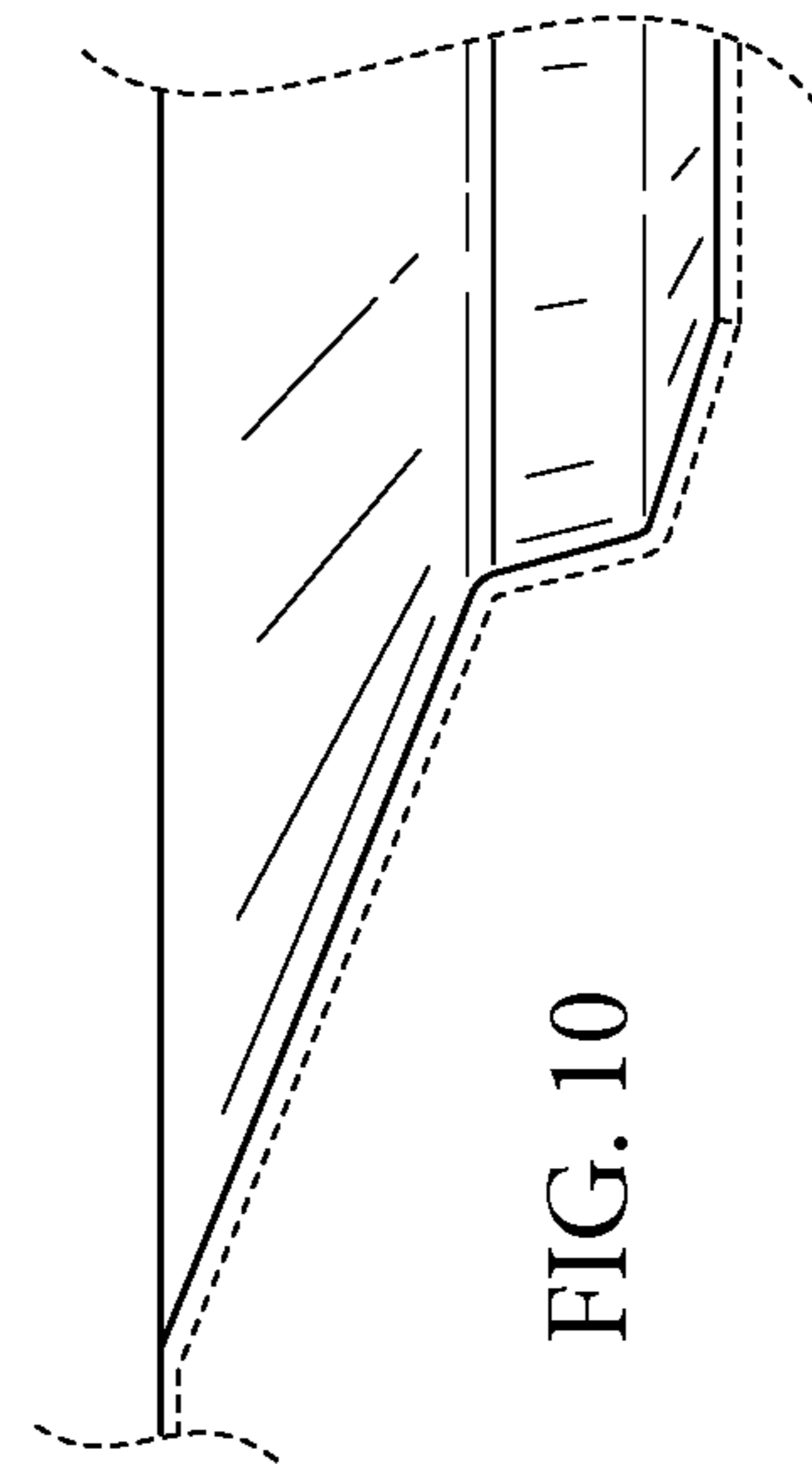


FIG. 10

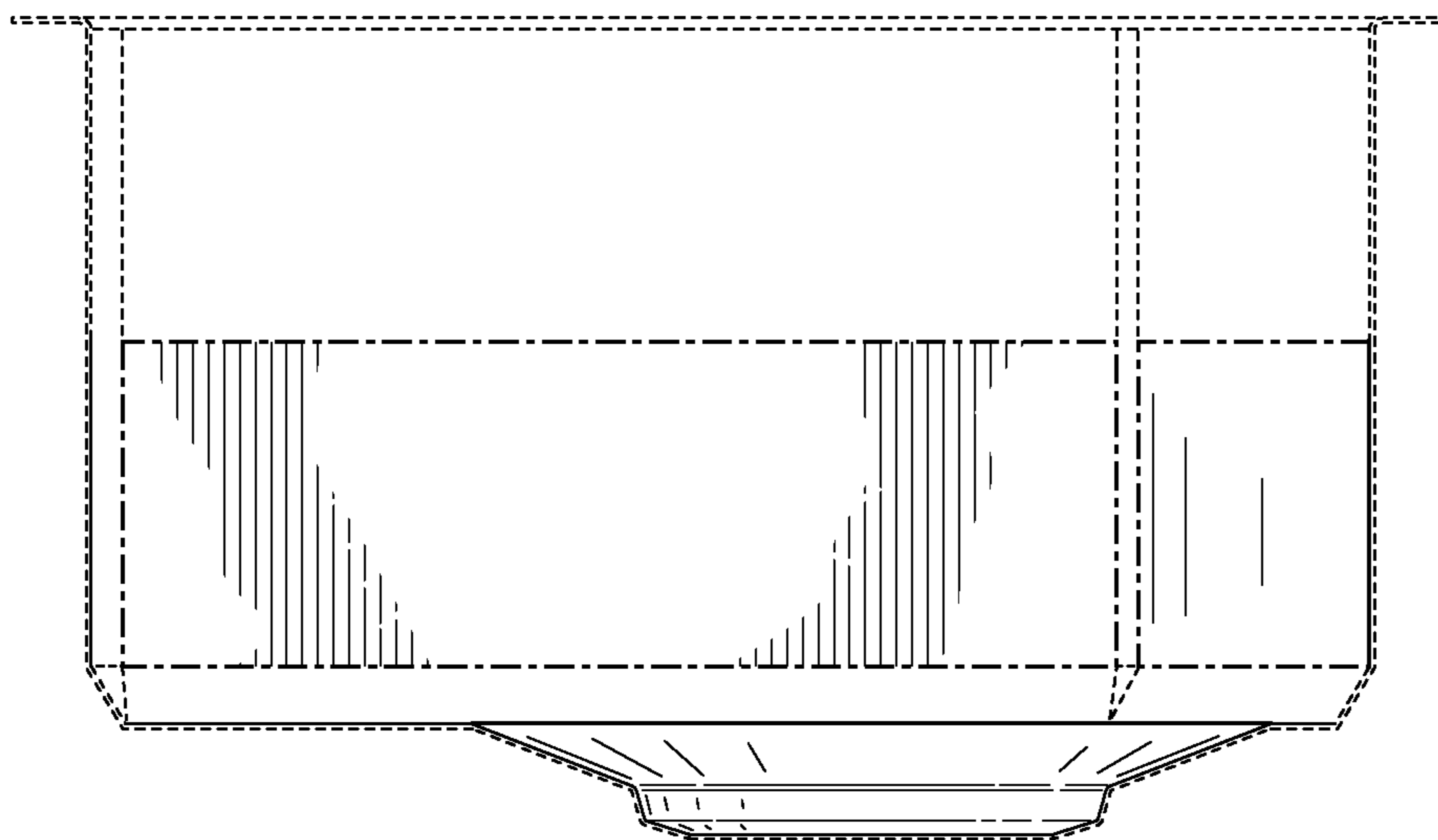


FIG. 11

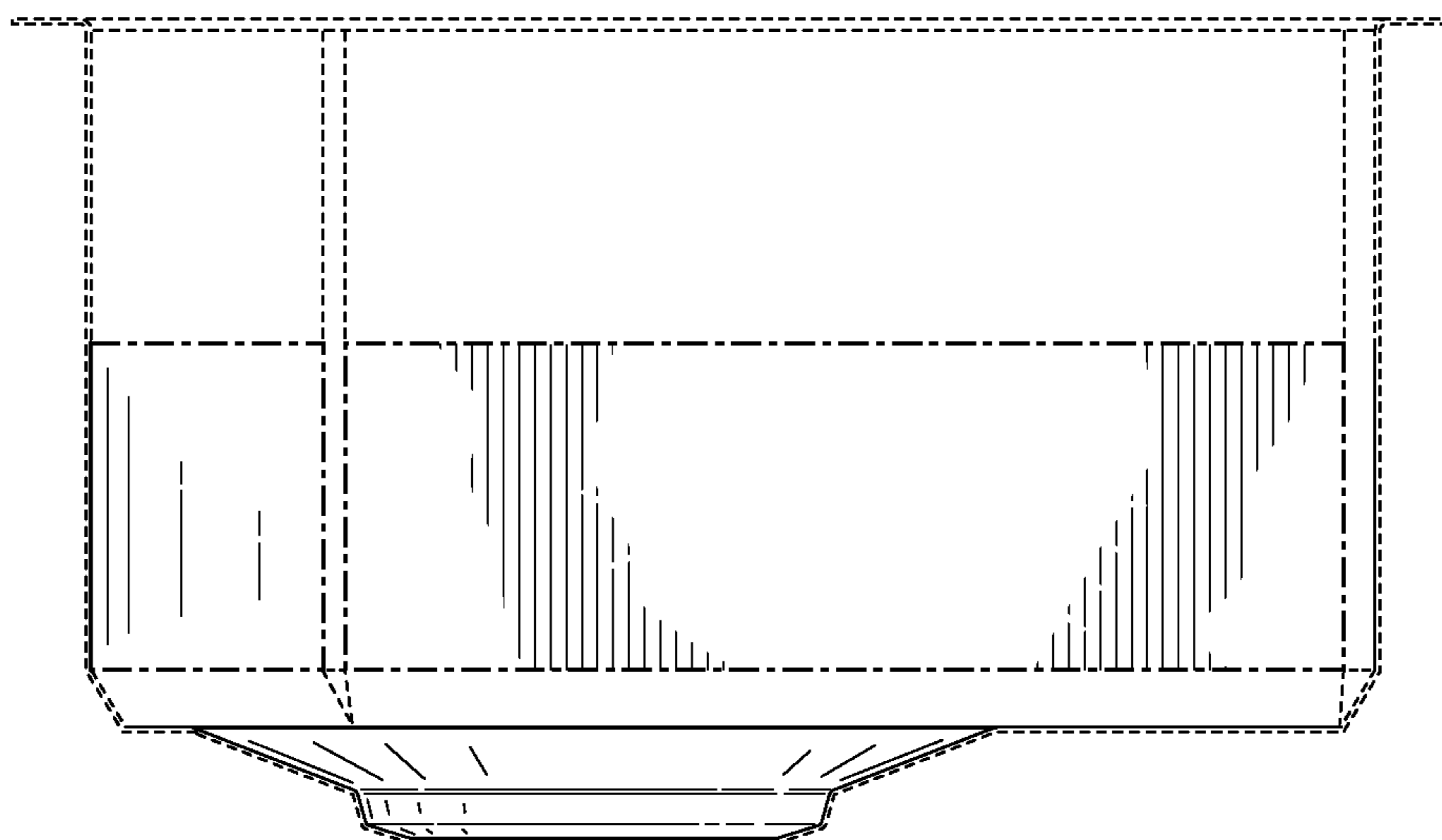


FIG. 12