



US00D742484S

(12) **United States Design Patent**
Al Harbi

(10) **Patent No.:** **US D742,484 S**

(45) **Date of Patent:** **** Nov. 3, 2015**

(54) **DEVICE FOR WASHING FEET**

(71) Applicant: **BOLD INTERNATIONAL FZCO,**
Dubai (AE)

(72) Inventor: **Fahad Abdullah Al Harbi,** Riyadh (SA)

(73) Assignee: **BOLD INTERNATIONAL FZCO,**
Dubai (AE)

(**) Term: **14 Years**

(21) Appl. No.: **29/481,991**

(22) Filed: **Feb. 12, 2014**

(30) **Foreign Application Priority Data**

Aug. 13, 2013 (EM) 001380877-0001

(51) **LOC (10) Cl.** **23-02**

(52) **U.S. Cl.**
USPC **D23/270**

(58) **Field of Classification Search**

USPC D23/270-271, 303; D28/56, 61, 99;
D24/204-205, 213; D6/335-336

CPC A61H 2203/0406; A61H 33/022;
A61H 33/02; A47K 7/03; A47K 3/022

See application file for complete search history.

(56) **References Cited**

U.S. PATENT DOCUMENTS

D26,331 S * 11/1896 Pendergast D23/271
2,030,687 A * 2/1936 Davis D23/280.4
3,881,471 A * 5/1975 Grube D24/213
3,973,286 A * 8/1976 Logan 4/615
4,617,917 A * 10/1986 Miller 601/136
D296,128 S * 6/1988 Davis D23/271
D322,320 S * 12/1991 Cohn D24/213

5,177,829 A * 1/1993 Simpson 15/104.92
D620,264 S * 7/2010 Zamawi et al. D6/336
D632,798 S * 2/2011 Tran D24/213
D650,084 S * 12/2011 Tran D24/204
D717,962 S * 11/2014 Chen D24/213

FOREIGN PATENT DOCUMENTS

EM 001306708-0001 12/2011
EM 001306724-0001 12/2011
EM 001307516-0001 12/2011
EM 001307524-0001 12/2011
EM 001334858-0001 7/2012
EM 001334916-0001 7/2012

* cited by examiner

Primary Examiner — Robert Delehanty

(74) *Attorney, Agent, or Firm* — Pearl Cohen Zedek Latzer Baratz LLP

(57) **CLAIM**

The ornamental design for a device for washing feet, as shown and described above.

DESCRIPTION

FIG. 1 is a top, front, left side perspective view of the device for washing feet;

FIG. 2 is a front elevational view thereof;

FIG. 3 is a rear elevational view of thereof;

FIG. 4 is a left side elevational view thereof;

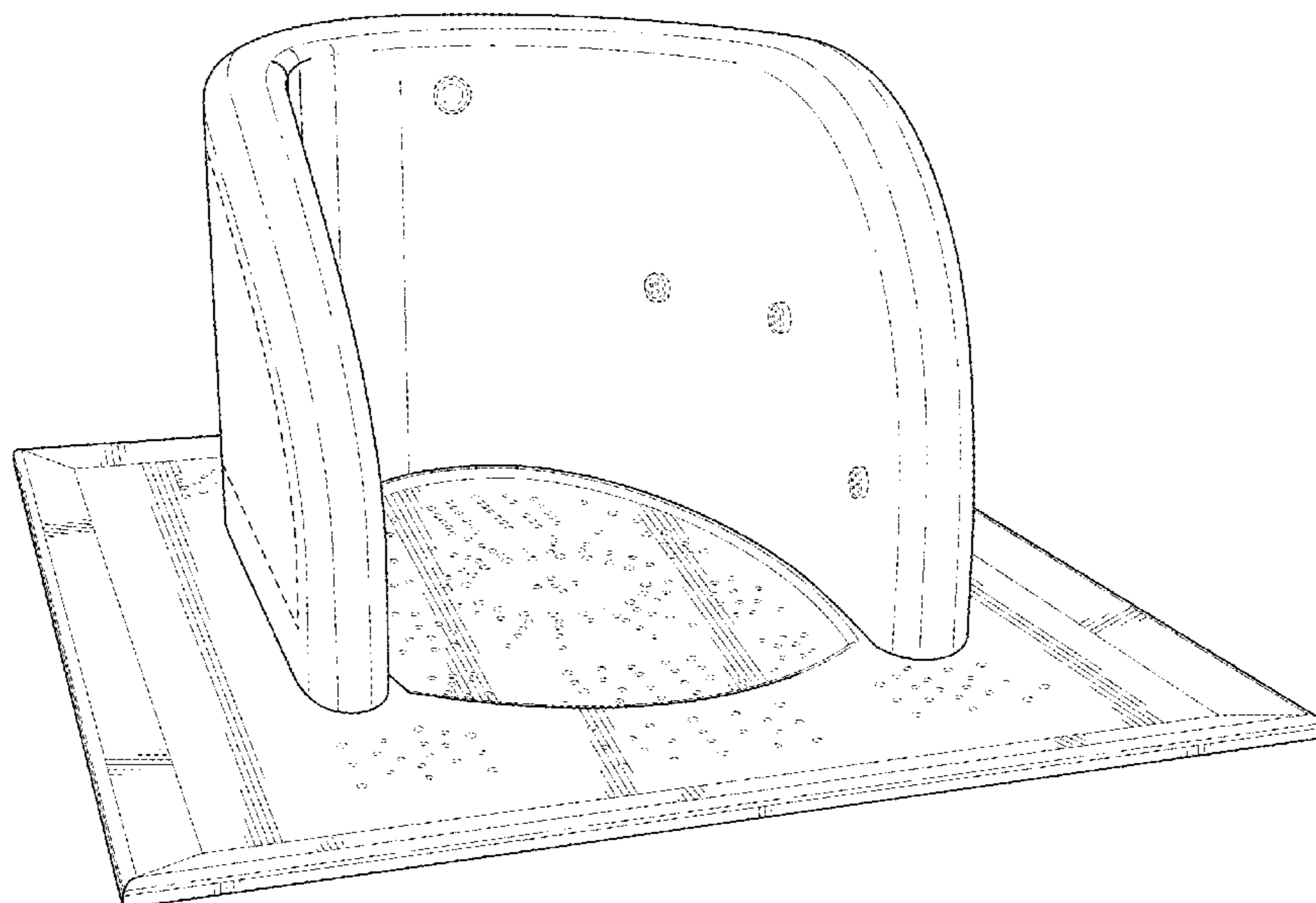
FIG. 5 is a right side elevational view thereof;

FIG. 6 is a top plan view of thereof; and,

FIG. 7 is a bottom plan view thereof.

The broken lines that appear on the drawings form no part of the claimed design and are included for illustrative purposes only.

1 Claim, 5 Drawing Sheets



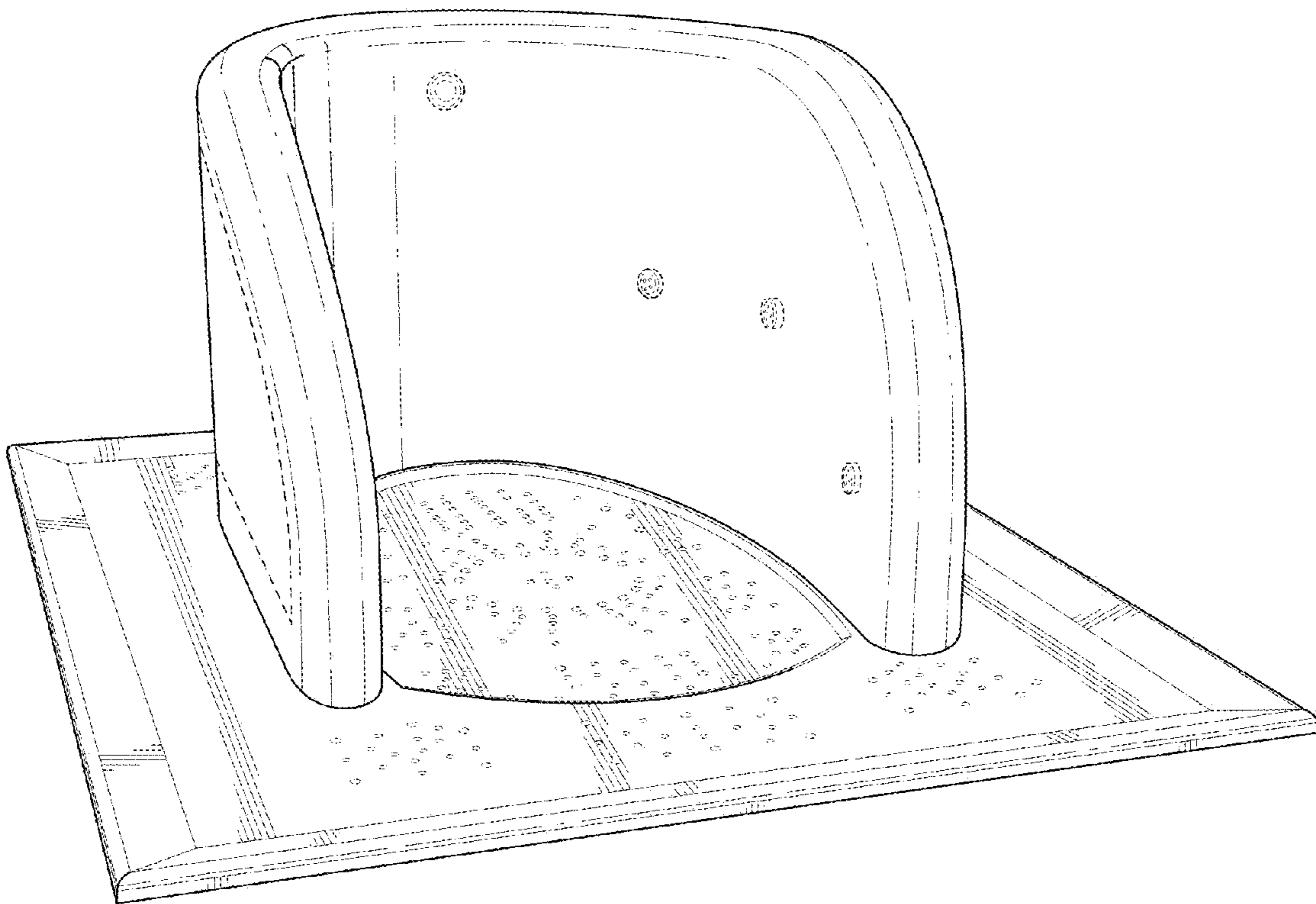


FIG. 1

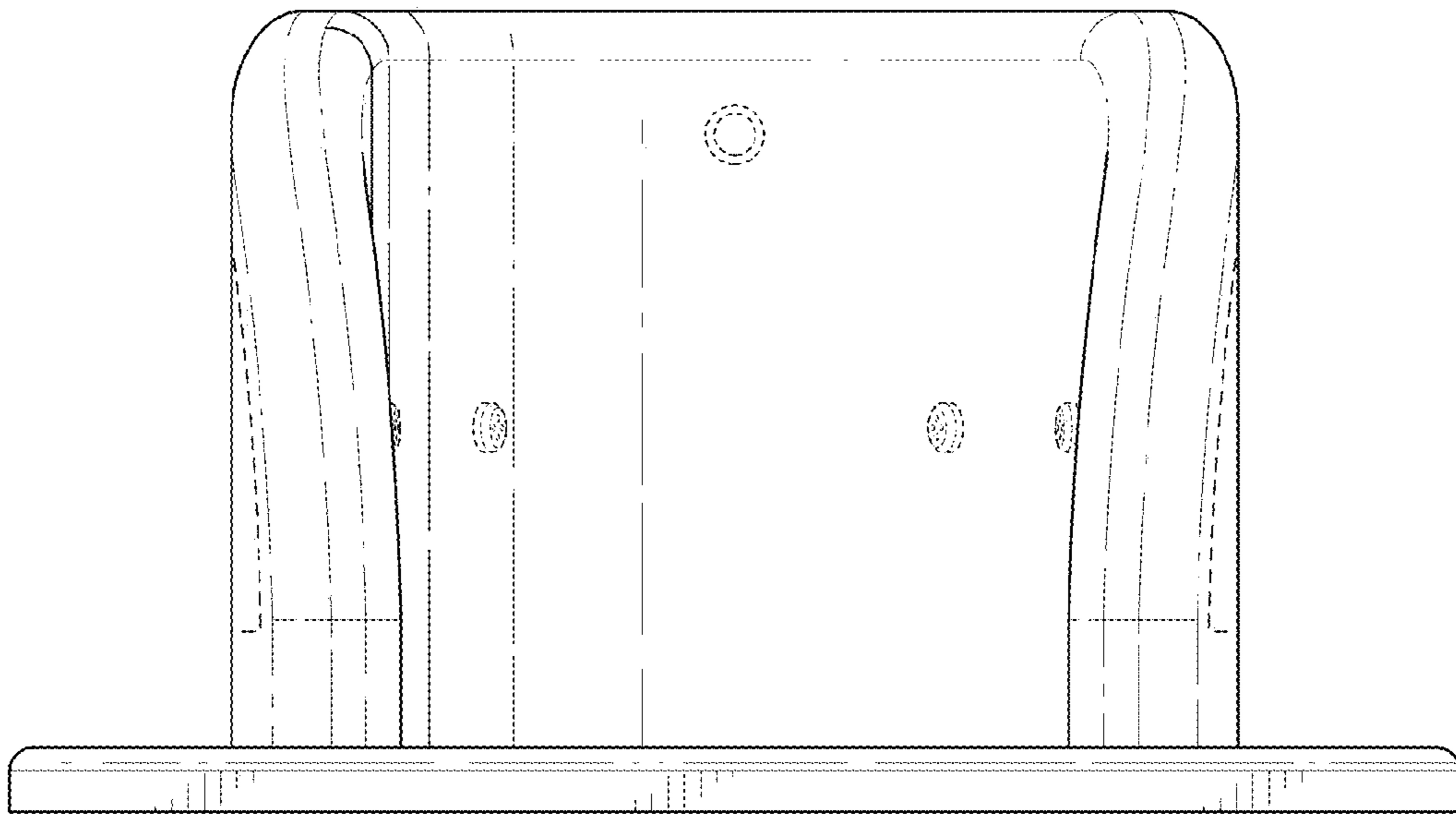


FIG. 2

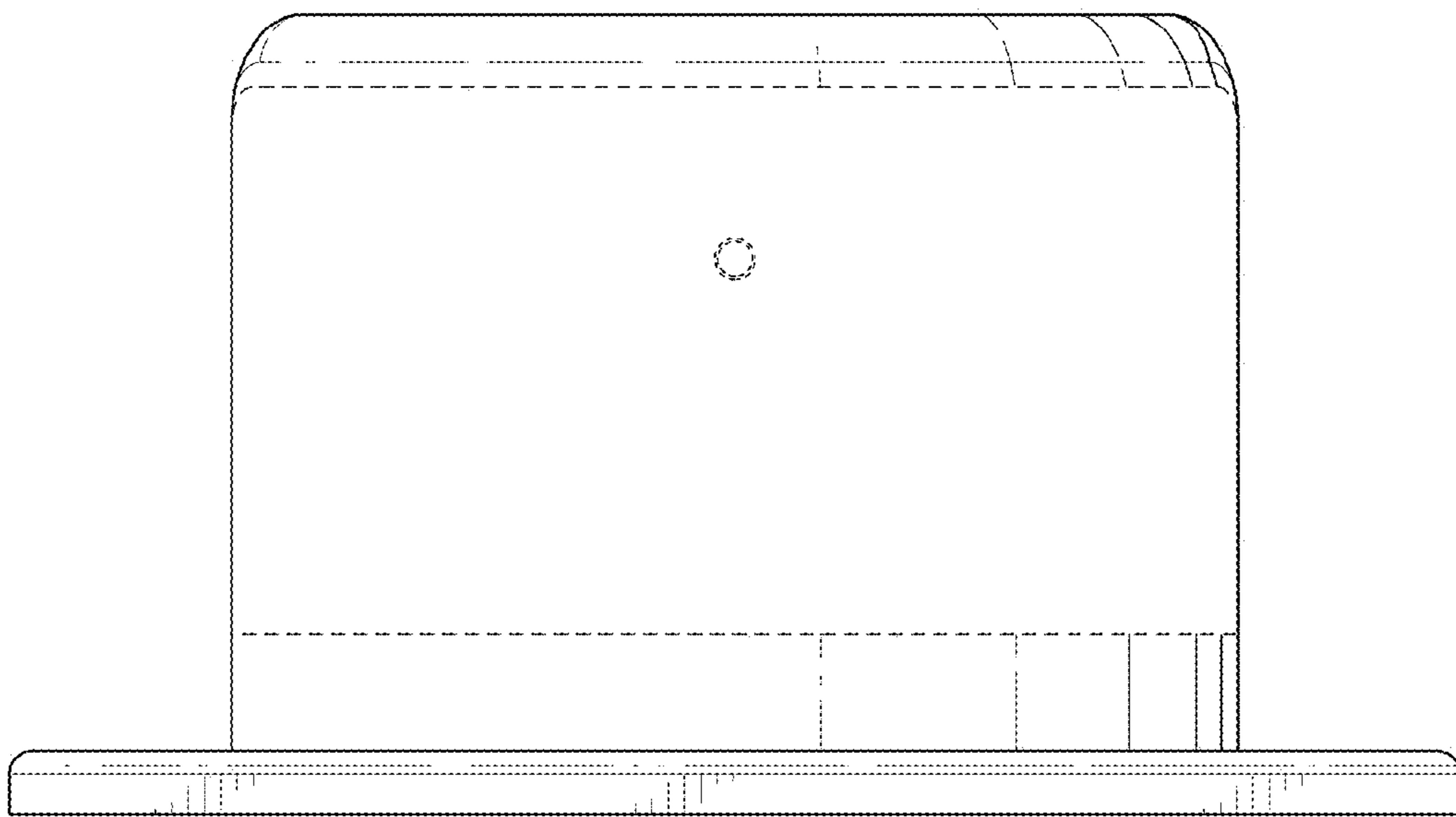


FIG. 3

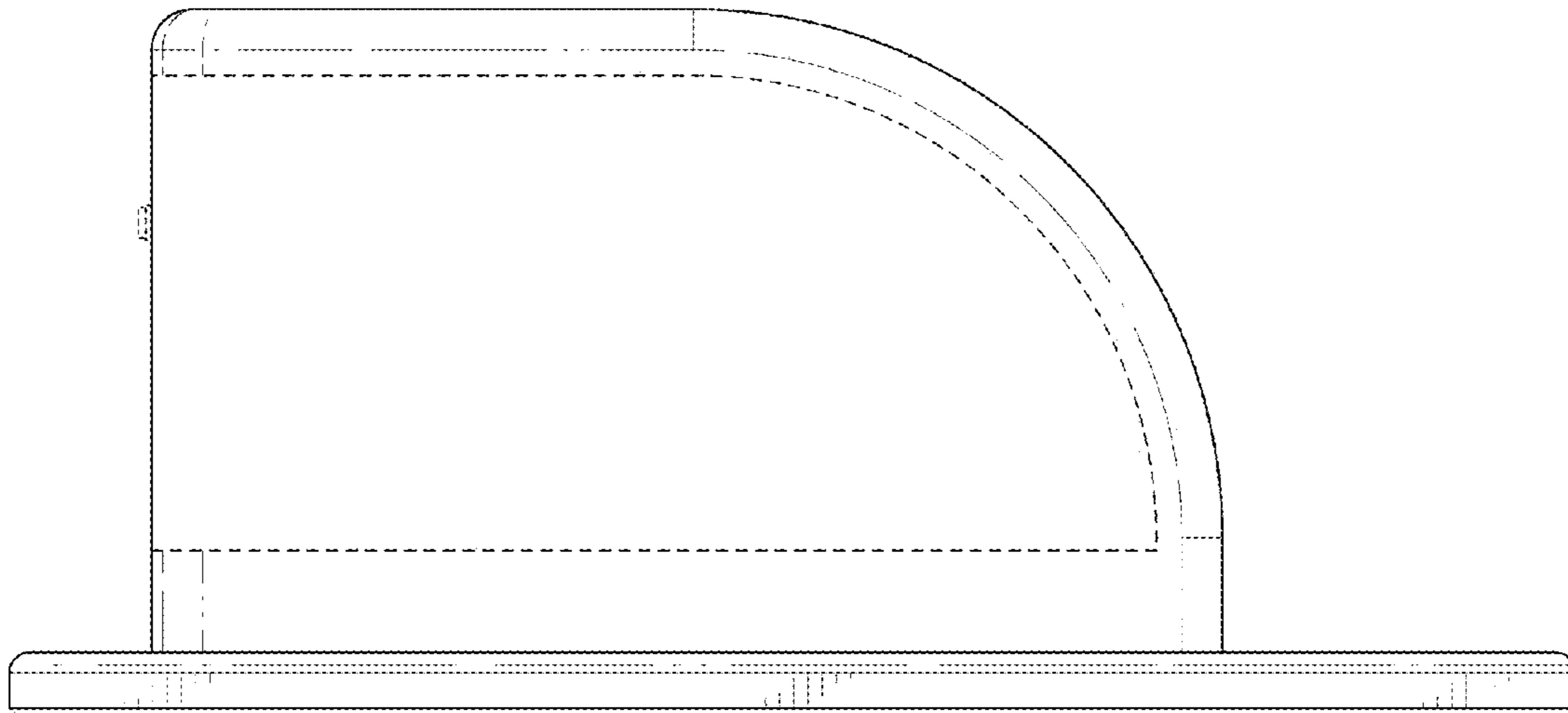


FIG. 4

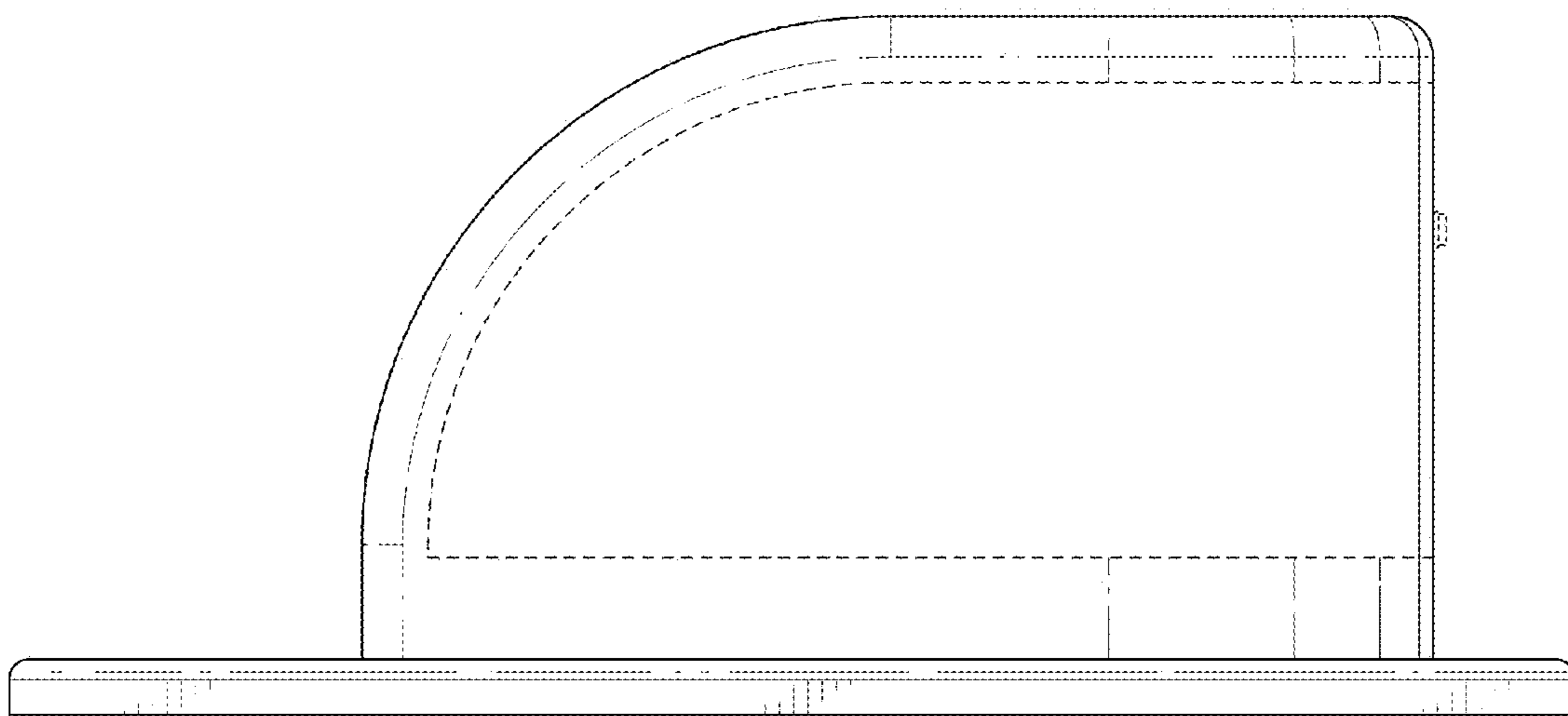


FIG. 5

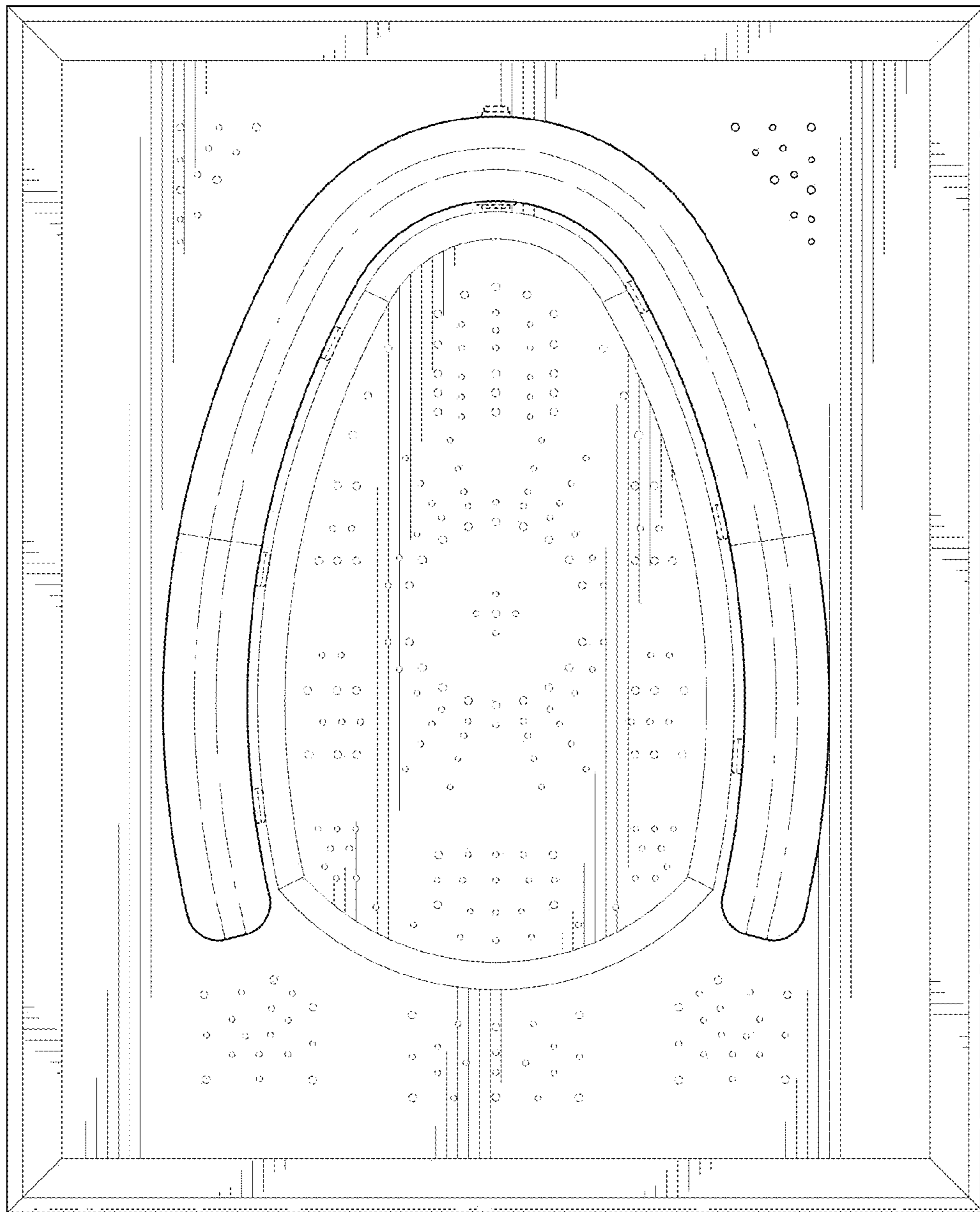


FIG. 6

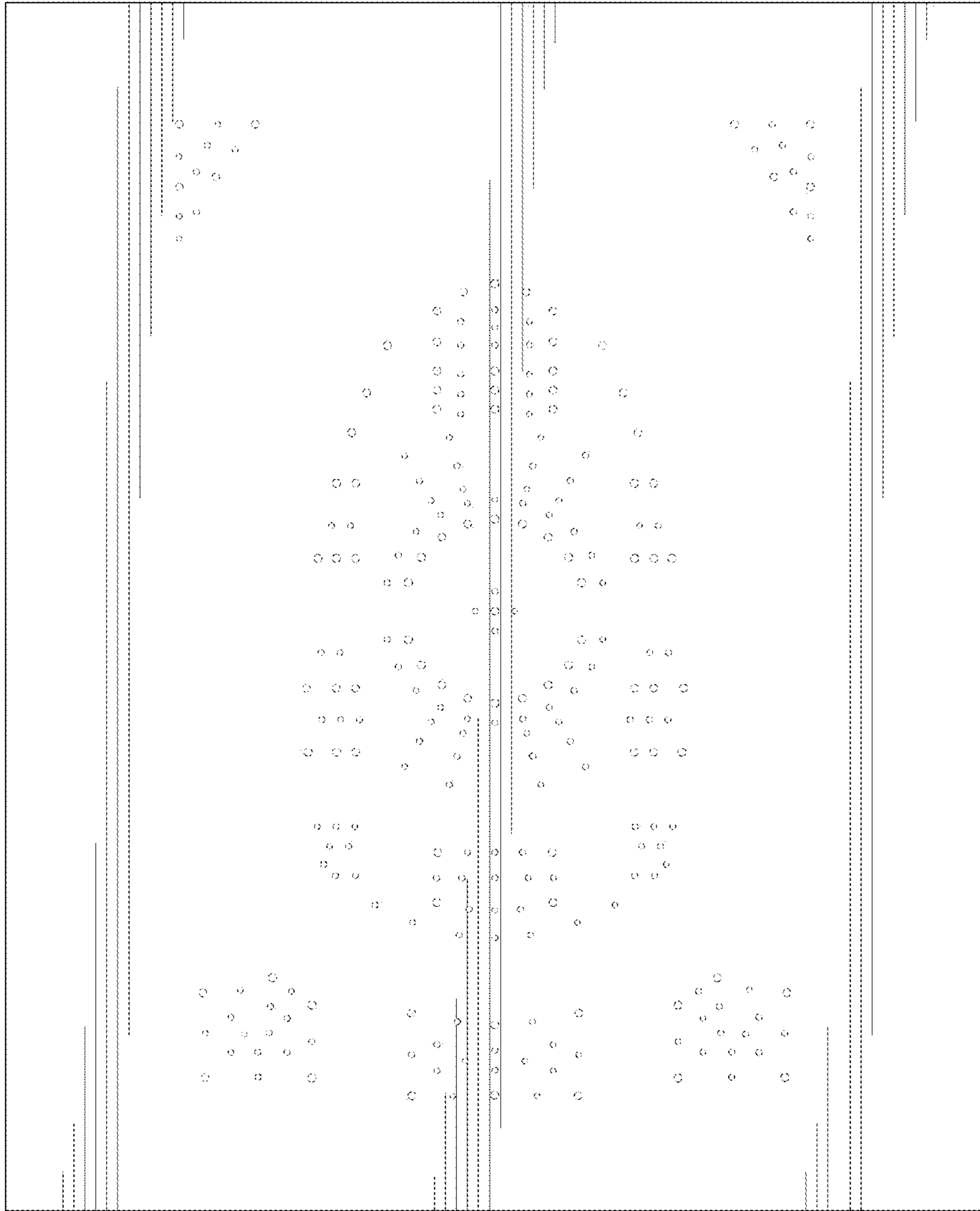


FIG. 7