



US00D742483S

(12) **United States Design Patent**  
**Chapman et al.**

(10) **Patent No.:** **US D742,483 S**

(45) **Date of Patent:** **\*\* Nov. 3, 2015**

(54) **SLOPED SILL PAN**

(71) Applicant: **Global Products International Group, LLC**, Atlanta, GA (US)

(72) Inventors: **Gabriel Paul Chapman**, Cumming, GA (US); **Ryan H. Chapman**, Atlanta, GA (US)

(73) Assignee: **Global Products International Group, LLC**, Atlanta, GA (US)

(\*\*) Term: **14 Years**

(21) Appl. No.: **29/488,502**

(22) Filed: **Apr. 21, 2014**

(51) **LOC (10) Cl.** ..... **23-01**

(52) **U.S. Cl.**  
USPC ..... **D23/261; D25/48.8**

(58) **Field of Classification Search**  
USPC ..... D23/303, 307, 305, 261; D25/48.8, D25/199, 164  
CPC ..... E04C 2/428; E06B 1/00; E06B 3/00; E06B 1/70; E06B 1/702; E06B 1/705; E06B 7/14; F16S 3/08; F16S 3/02; E03F 5/04; E03F 5/06; E03F 5/0407; E04F 19/10

See application file for complete search history.

(56) **References Cited**

U.S. PATENT DOCUMENTS

3,866,369	A *	2/1975	Paull .....	E06B 1/702 52/204.591
4,065,884	A *	1/1978	Tenquist .....	E06B 7/14 52/171.3
6,908,256	B1 *	6/2005	Humphries .....	E03F 5/06 210/163
D669,601	S *	10/2012	Schoonover .....	D25/125
D706,907	S *	6/2014	Snelling .....	D23/261
D708,304	S *	7/2014	Brodey .....	D23/261
2005/0144865	A1 *	7/2005	Ellingson .....	E06B 1/70 52/272
2013/0326806	A1 *	12/2013	Stonecipher .....	E03F 5/06 4/613

\* cited by examiner

*Primary Examiner* — Doris Clark

(74) *Attorney, Agent, or Firm* — Sutherland Asbill & Brennan LLP

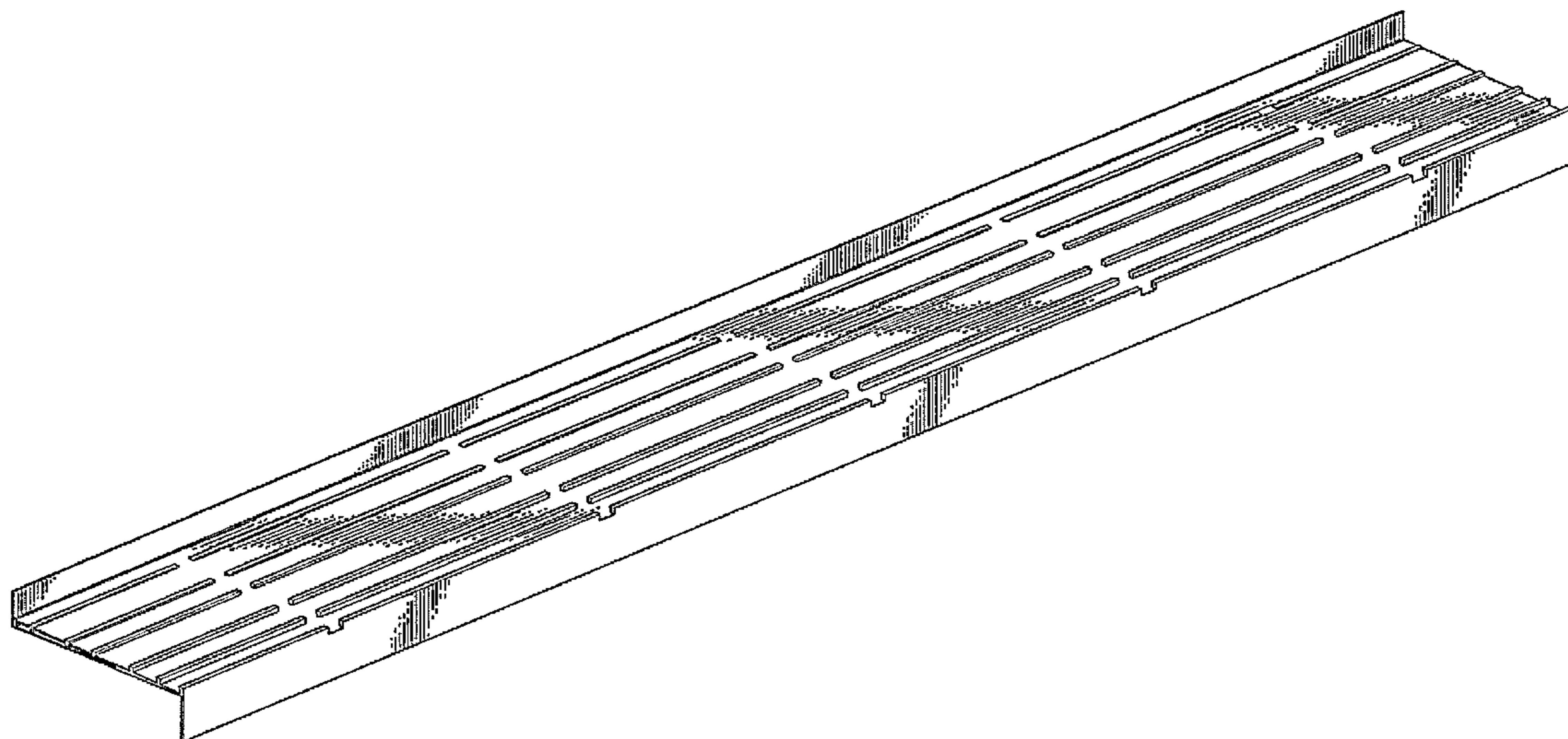
(57) **CLAIM**

The ornamental design for a sloped sill pan, as shown and described.

**DESCRIPTION**

FIG. 1 is an top perspective view of a sloped sill pan showing my new design;  
FIG. 2 is a bottom perspective view thereof;  
FIG. 3 is a first end elevation view thereof;  
FIG. 4 is a second end elevation view thereof;  
FIG. 5 is a front elevation view thereof;  
FIG. 6 is a rear elevation view thereof;  
FIG. 7 is a top plan view thereof;  
FIG. 8 is a bottom plan view thereof; and,  
FIG. 9 is an enlarged end view thereof.

**1 Claim, 4 Drawing Sheets**



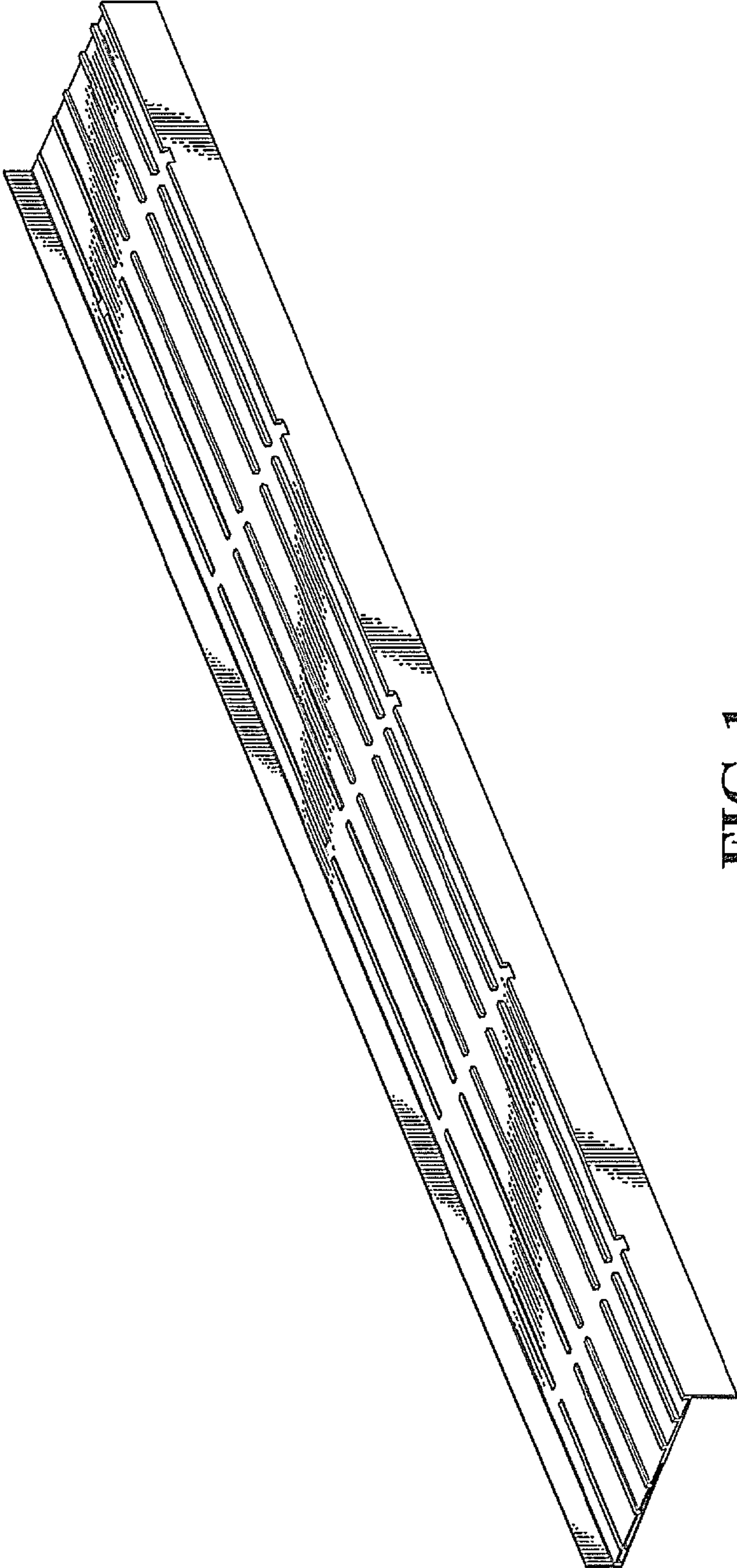


FIG. 1

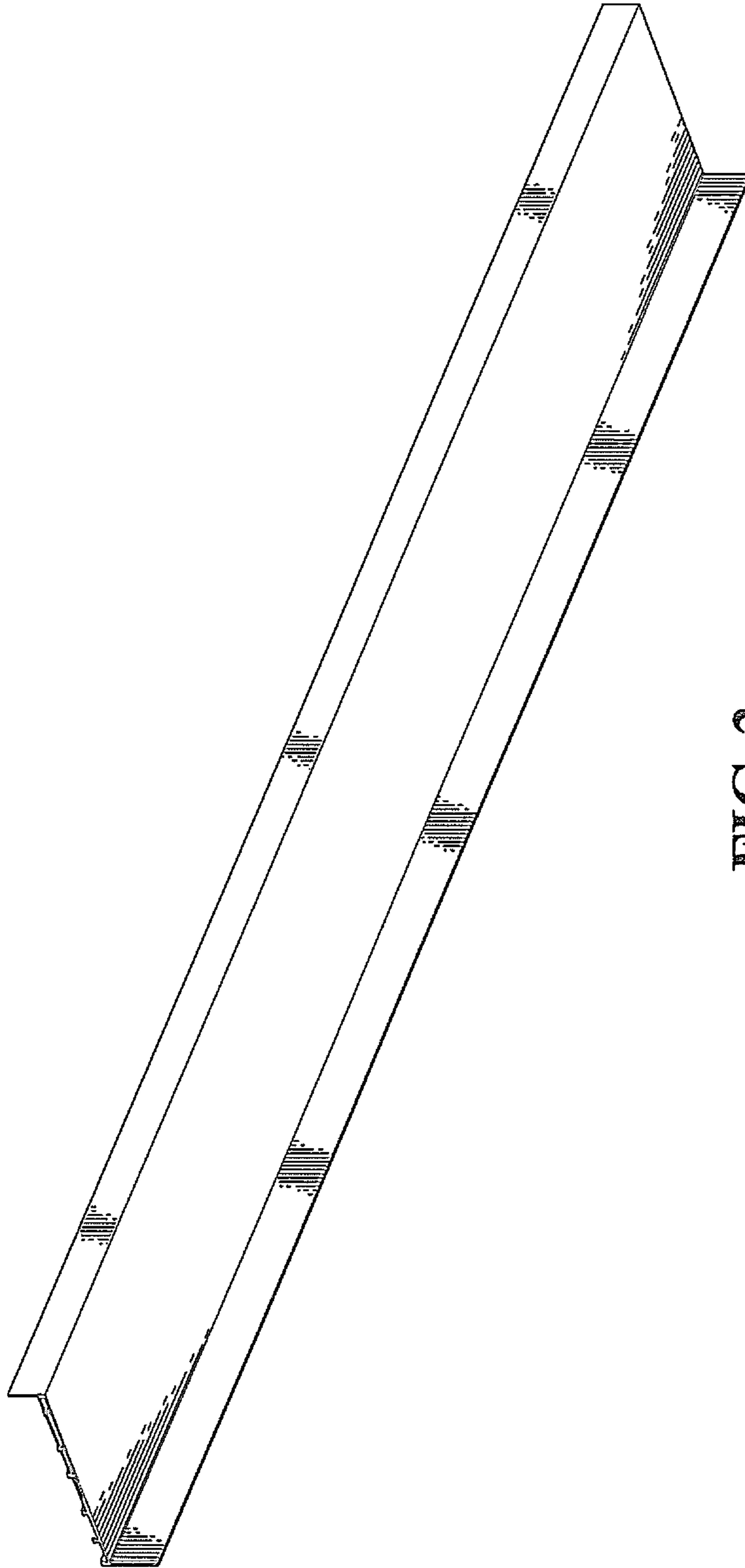


FIG. 2

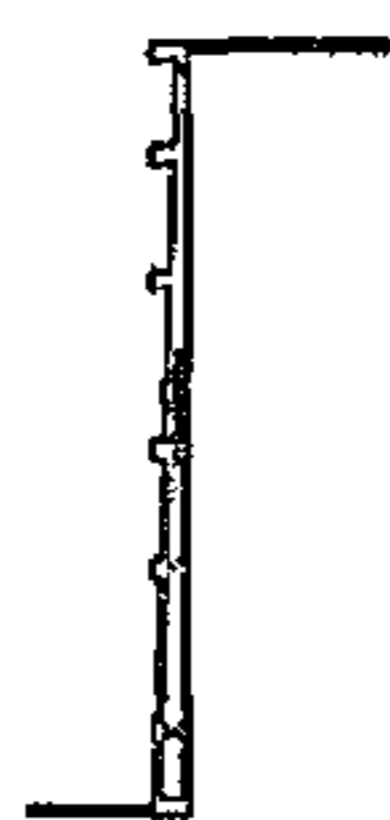


FIG. 3

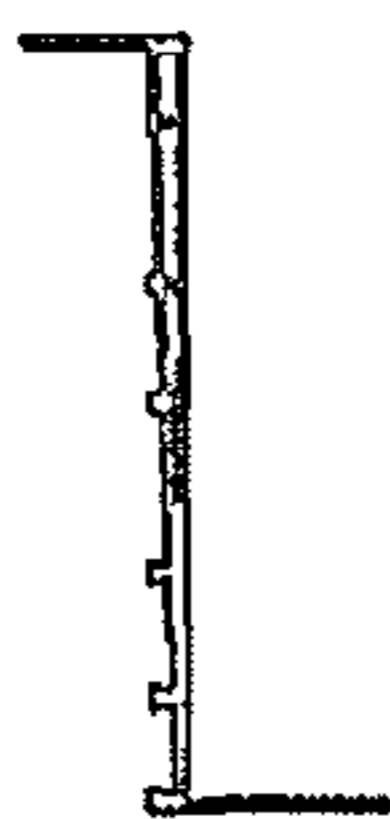


FIG. 4

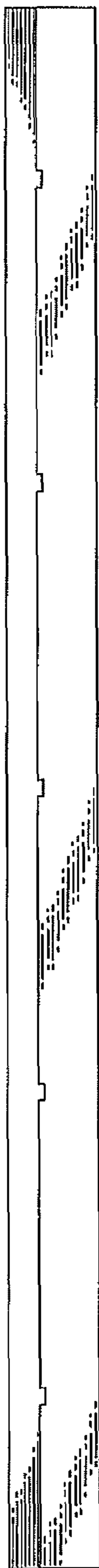


FIG. 5

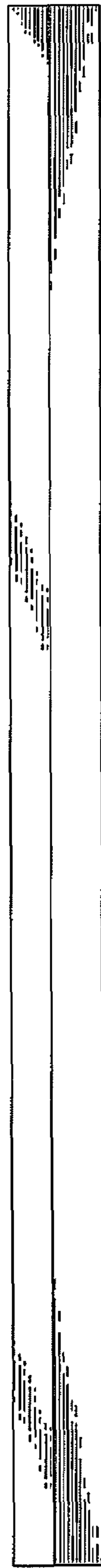


FIG. 6

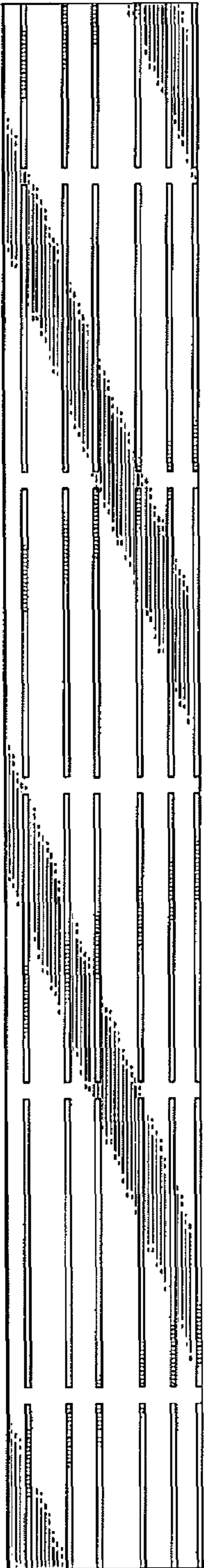


FIG. 7

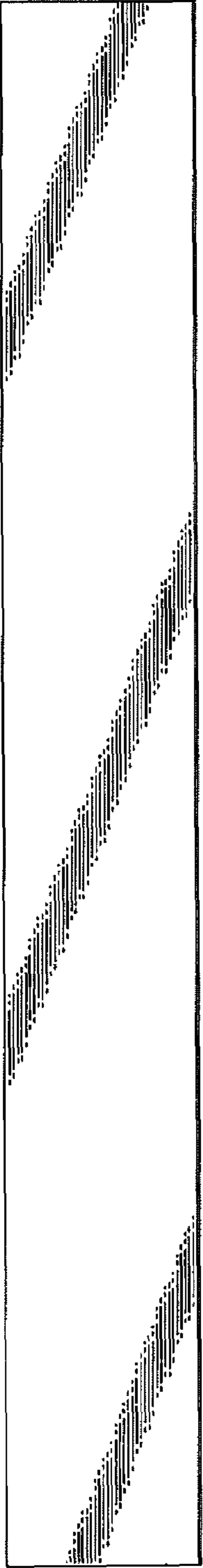


FIG. 8

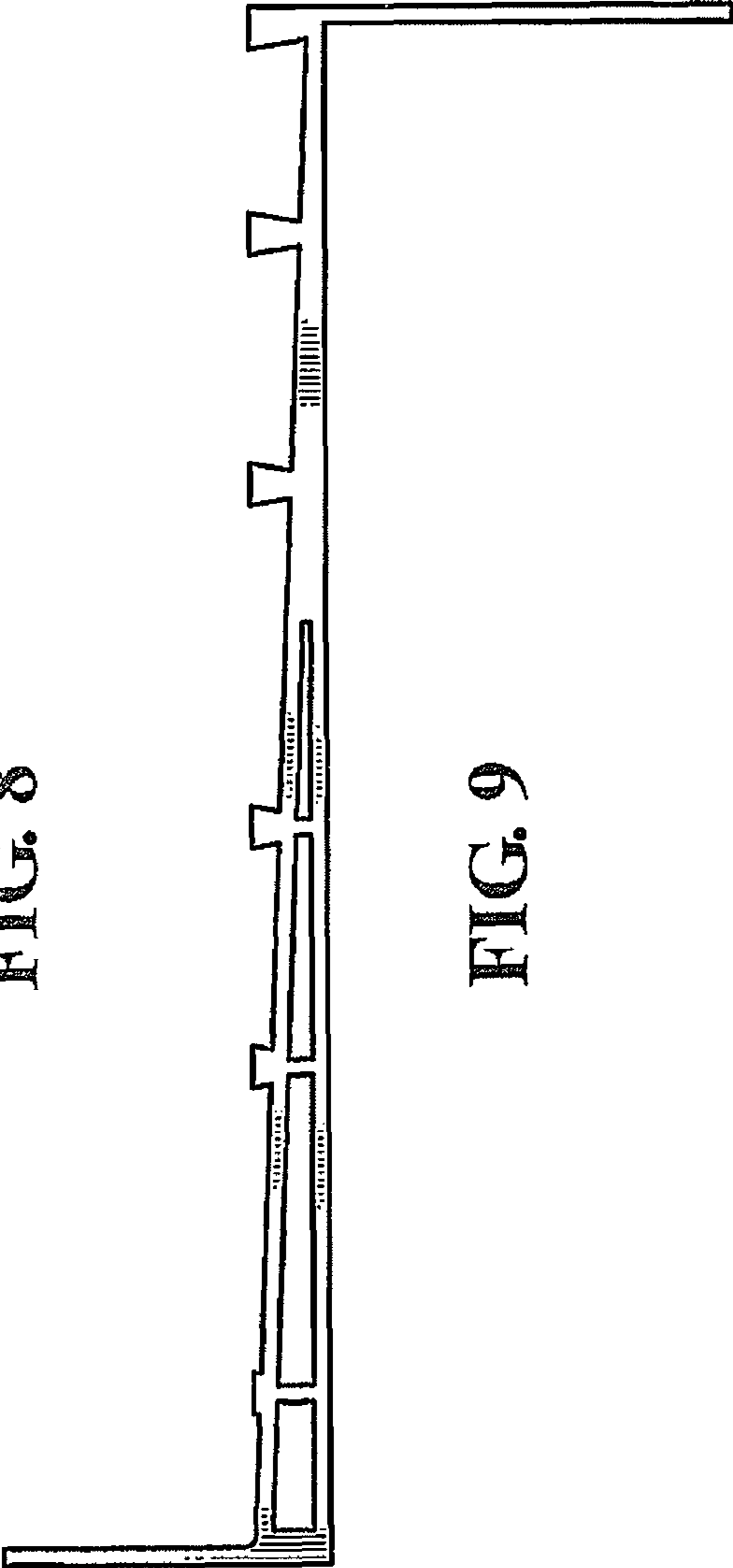


FIG. 9