



US00D742482S

(12) **United States Design Patent**
Wall

(10) **Patent No.:** **US D742,482 S**
(45) **Date of Patent:** **** Nov. 3, 2015**

(54) **SWIMMING POOL FILTERED WATER
RETURN FITTING**

(71) Applicant: **Frank L. Wall**, Columbus, MS (US)

(72) Inventor: **Frank L. Wall**, Columbus, MS (US)

(**) Term: **14 Years**

(21) Appl. No.: **29/473,971**

(22) Filed: **Nov. 27, 2013**

(51) **LOC (10) Cl.** **23-01**

(52) **U.S. Cl.**
USPC **D23/259**

(58) **Field of Classification Search**

USPC D23/223, 226, 233, 259-269;
285/86-93, 179-182
CPC F16L 2201/20; F16L 2201/60; F16L
2201/10; F16L 37/133; F16L 37/0985; F16L
27/0845; F16L 43/008; B29C 66/5229

See application file for complete search history.

(56) **References Cited**

U.S. PATENT DOCUMENTS

3,548,864	A	*	12/1970	Perry et al.	137/364
D354,432	S	*	1/1995	Starman	D8/382
D371,138	S	*	6/1996	Waskiewicz	D15/5
D418,847	S	*	1/2000	Ichihara	D15/143
D530,796	S	*	10/2006	Zielke et al.	D23/262
D571,645	S	*	6/2008	Skoog	D8/382
D662,572	S	*	6/2012	Marquis-Martin	D23/259
D715,410	S	*	10/2014	Lohmann	D23/259

OTHER PUBLICATIONS

Hayward Pool Products, 2013 Buyers Guide & Parts Price List, pp. 98, 246. Fitting believed to be on sale more than one year prior to date applicant's patent application was filed.

Pentair Aquatic Systems, 2013 Product Catalog, pp. 68, 69, 242. Fitting believed to be on sale more than one year prior to date applicant's patent application was filed.

Waterway Plastics, 2009 Waterway Pool and Spa Products Buyer's Guide, pp. 120, 152.

Astral Pool USA, 2010-2011 Commercial and Residential Pool Equipment Catalog, pp. 79-81.

CMP (Custom Molded Products), 2013 Pool Catalog, pp. 78-79. Fitting believed to be on sale more than one year prior to date applicant's patent application was filed.

STA-Rite Pool/Spa Group, 2005 Pool Products Catalog, pp. 108, 239.

Jacuzzi Bros., 2000 Pool and Spa Equipment Catalog, p. 45.

Astral Pool, 2007 Multiflow Return Inlets Model Panel Pools 15cm, Code 33091, Rev. 00, (Sold primarily in the United Kingdom).

Frank Wall Enterprises, LLC, 2012 Aqua Forms catalog, p. 13. Shows existing method of installing return inlets believed to be in use more than one year prior to date applicant's patent application was filed.

* cited by examiner

Primary Examiner — Karen E Kearney

Assistant Examiner — John Reickel

(74) *Attorney, Agent, or Firm* — Erickson Kernell Derousseau & Kleypas, LLC

(57) **CLAIM**

The ornamental design for a swimming pool filtered water return fitting, as shown and described.

DESCRIPTION

FIG. 1 is a right side perspective view of a swimming pool filtered water return fitting;

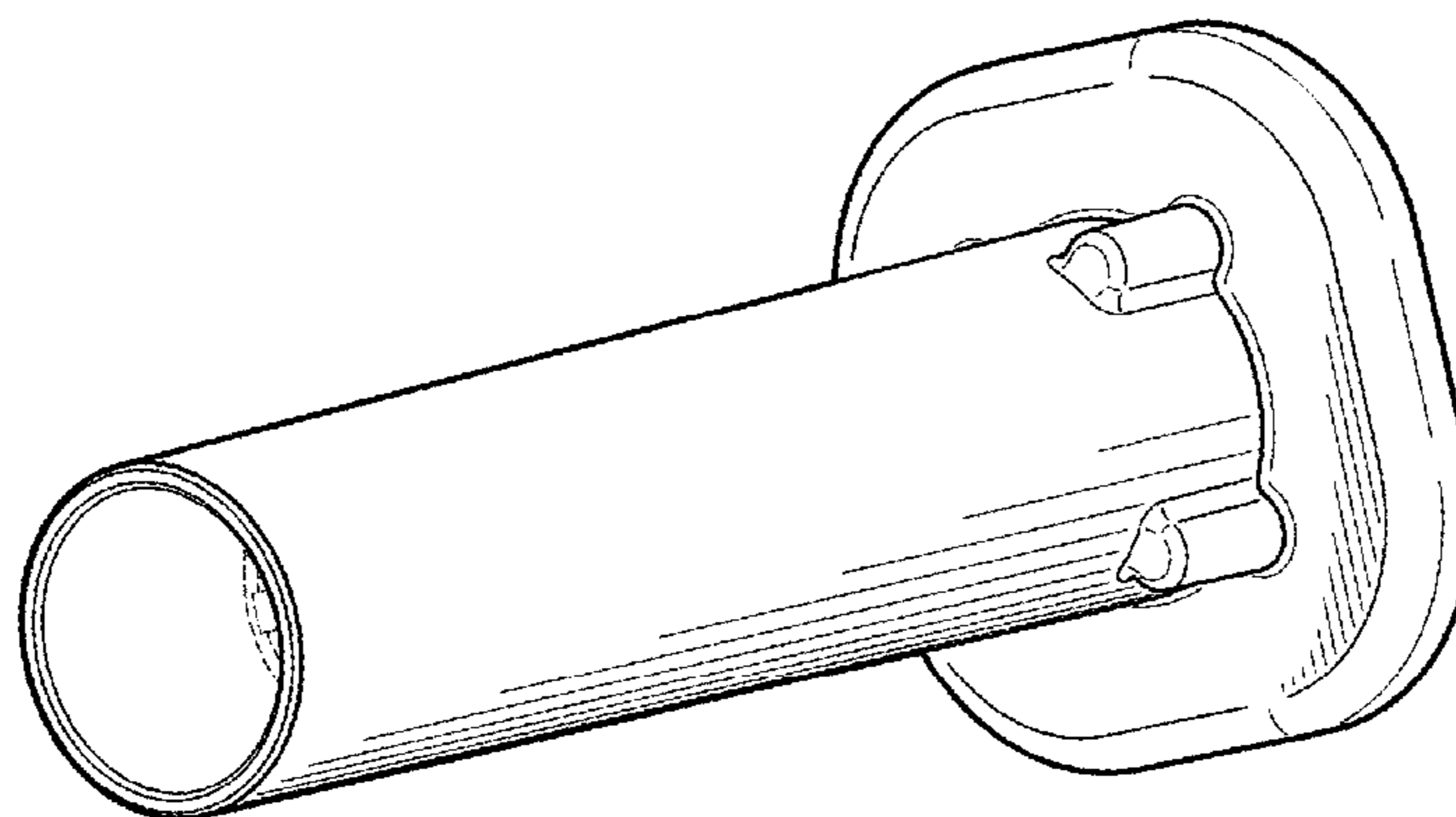
FIG. 2 is a front view thereof;

FIG. 3 is a rear view thereof; and,

FIG. 4 is a right side elevational view thereof, the left side, top and bottom views being identical.

The broken lines showing of interior details are included for the purpose of illustrating portions of the article and form no part of the claimed design.

1 Claim, 3 Drawing Sheets



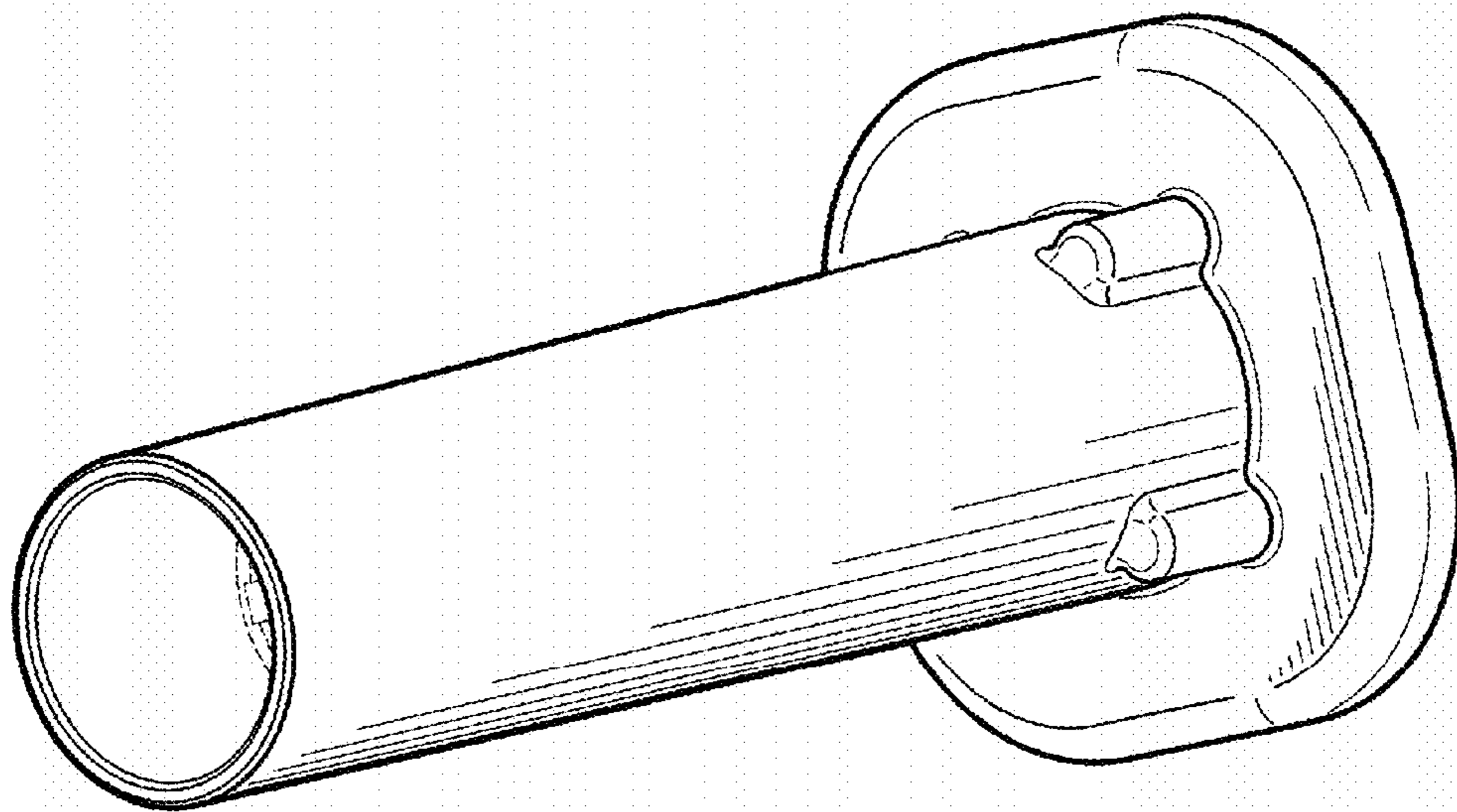


Fig. 1

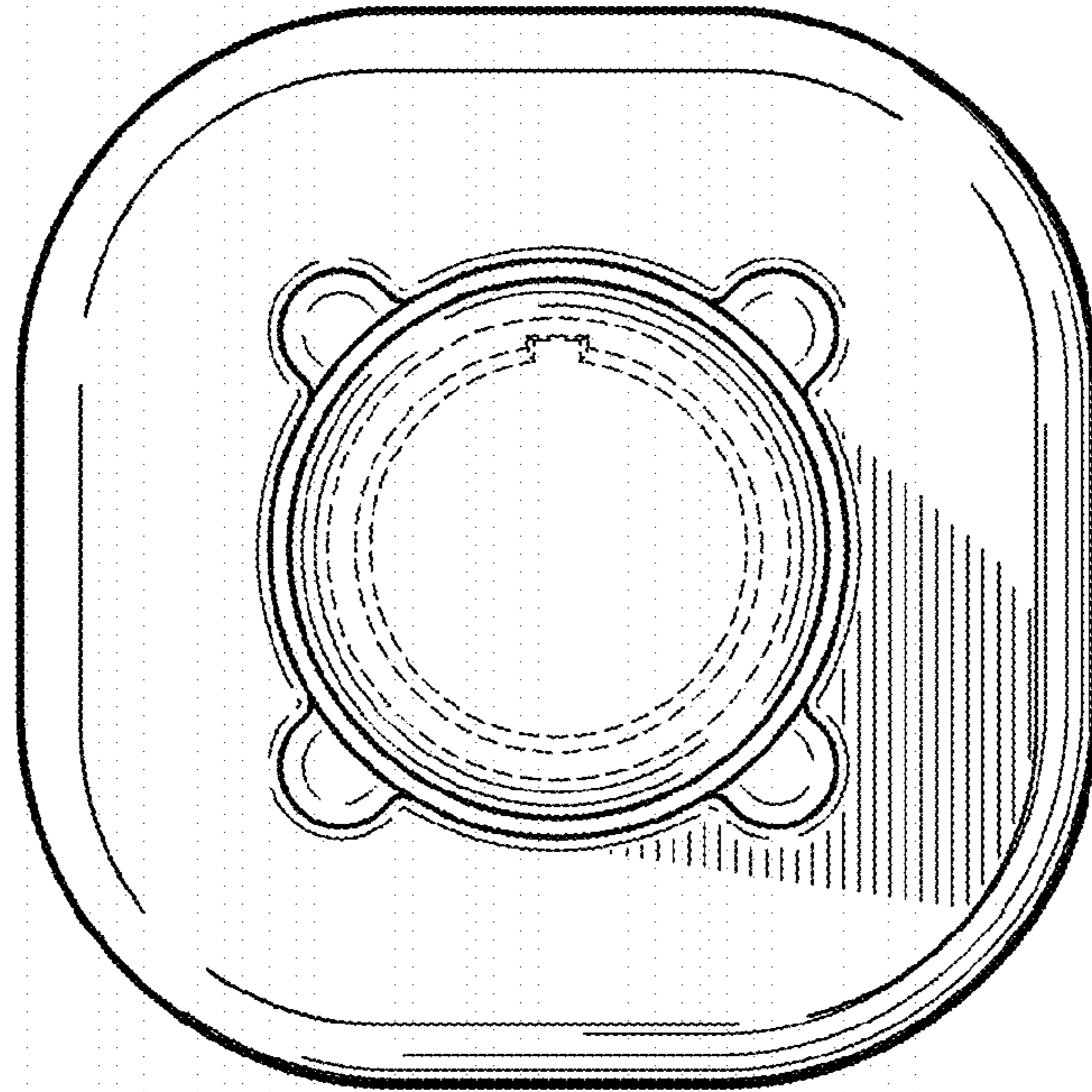


Fig. 2

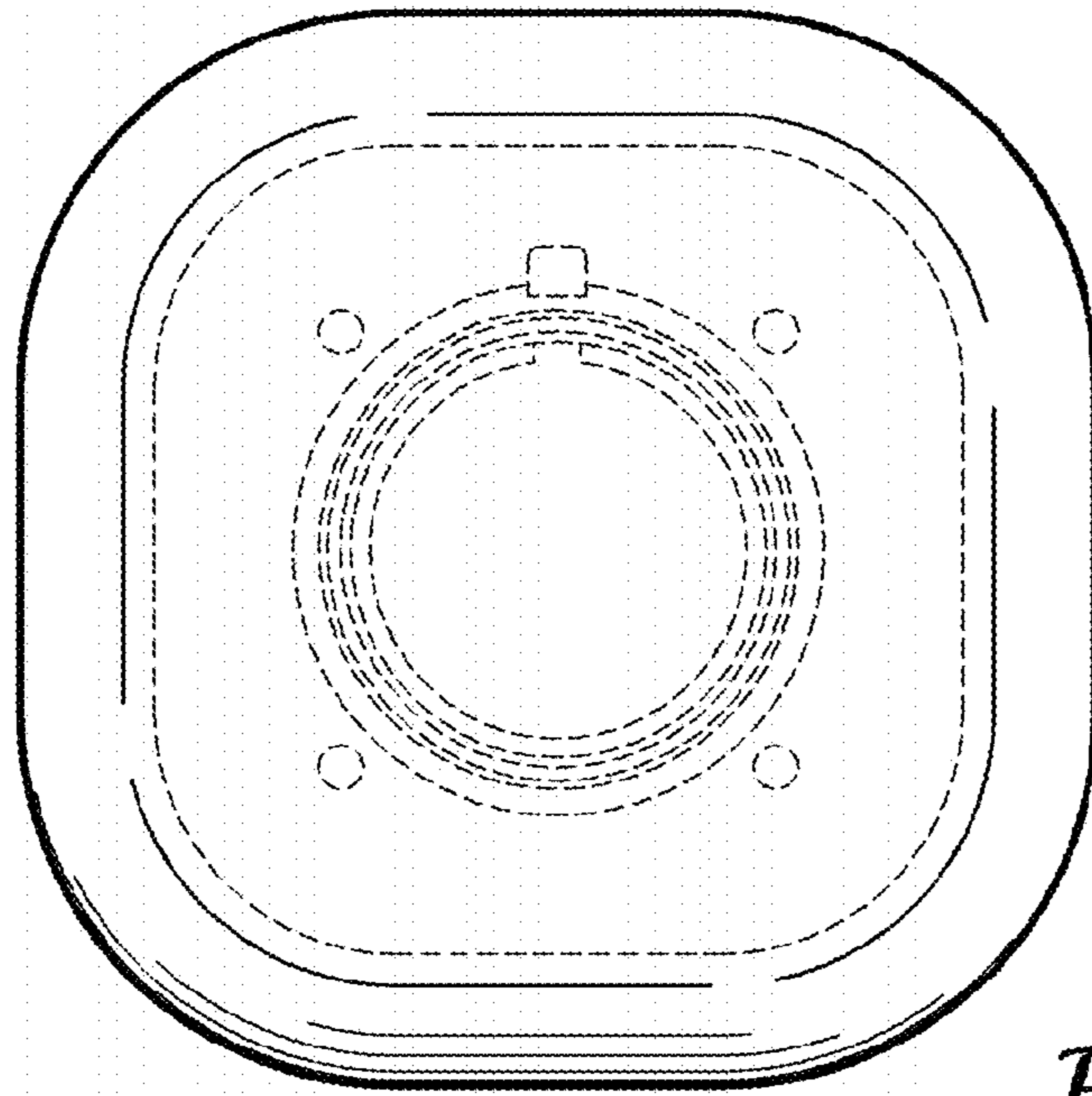


Fig. 3

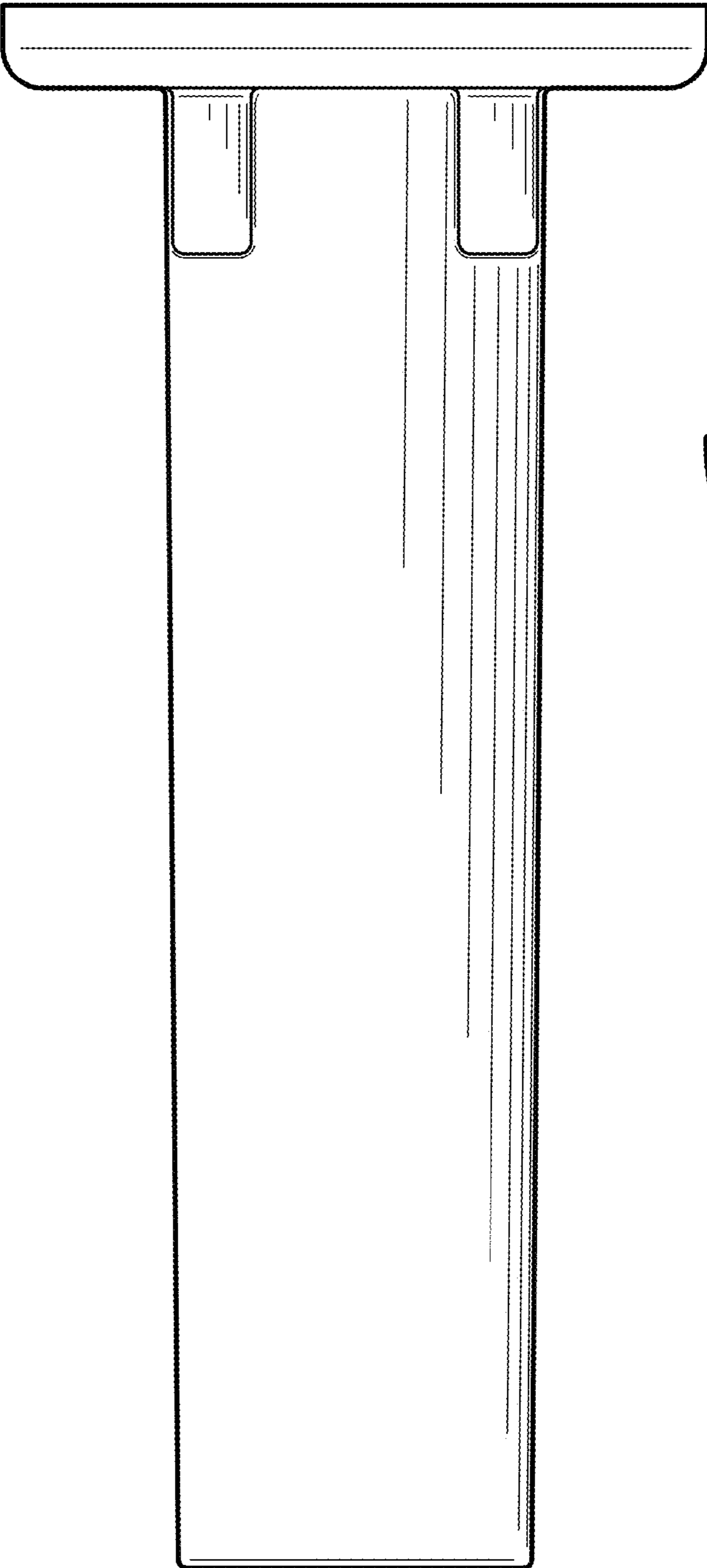


Fig. 4