



US00D742480S

(12) **United States Design Patent**  
**Zhang**

(10) **Patent No.:** **US D742,480 S**

(45) **Date of Patent:** **\*\* Nov. 3, 2015**

(54) **INTELLIGENT FISH FINDER**

(71) Applicant: **Weixiu Zhang**, Jinhua (CN)

(72) Inventor: **Weixiu Zhang**, Jinhua (CN)

(\*\*) Term: **14 Years**

(21) Appl. No.: **29/492,800**

(22) Filed: **Jun. 3, 2014**

(30) **Foreign Application Priority Data**

Dec. 3, 2013 (CN) ..... 2013 3 0595597

(51) **LOC (10) Cl.** ..... **22-05**

(52) **U.S. Cl.**  
USPC ..... **D22/134**

(58) **Field of Classification Search**  
USPC ..... D22/134, 199; 43/42.02, 26.1, 42.3,  
43/42.31, 17.5, 17.1; 367/96, 99, 107,  
367/111, 908, 910; D10/65  
See application file for complete search history.

(56) **References Cited**

**U.S. PATENT DOCUMENTS**

4,805,337 A \* 2/1989 Kurata ..... 43/17.5  
5,463,597 A \* 10/1995 Harlev ..... 367/107  
D459,783 S \* 7/2002 Tseng ..... D22/134  
6,791,902 B1 \* 9/2004 Steiner et al. .... 367/99  
D504,490 S \* 4/2005 Bedros ..... D22/134

7,554,884 B2 \* 6/2009 Park ..... 367/107  
8,154,953 B1 \* 4/2012 Sims et al. .... 367/96  
D689,586 S \* 9/2013 Zuch et al. .... D22/134

\* cited by examiner

*Primary Examiner* — Catheri Oliver-Garcia

(74) *Attorney, Agent, or Firm* — Muncy, Geissler, Olds & Lowe, P.C.

(57) **CLAIM**

The ornamental design for an intelligent fish finder, as shown and described.

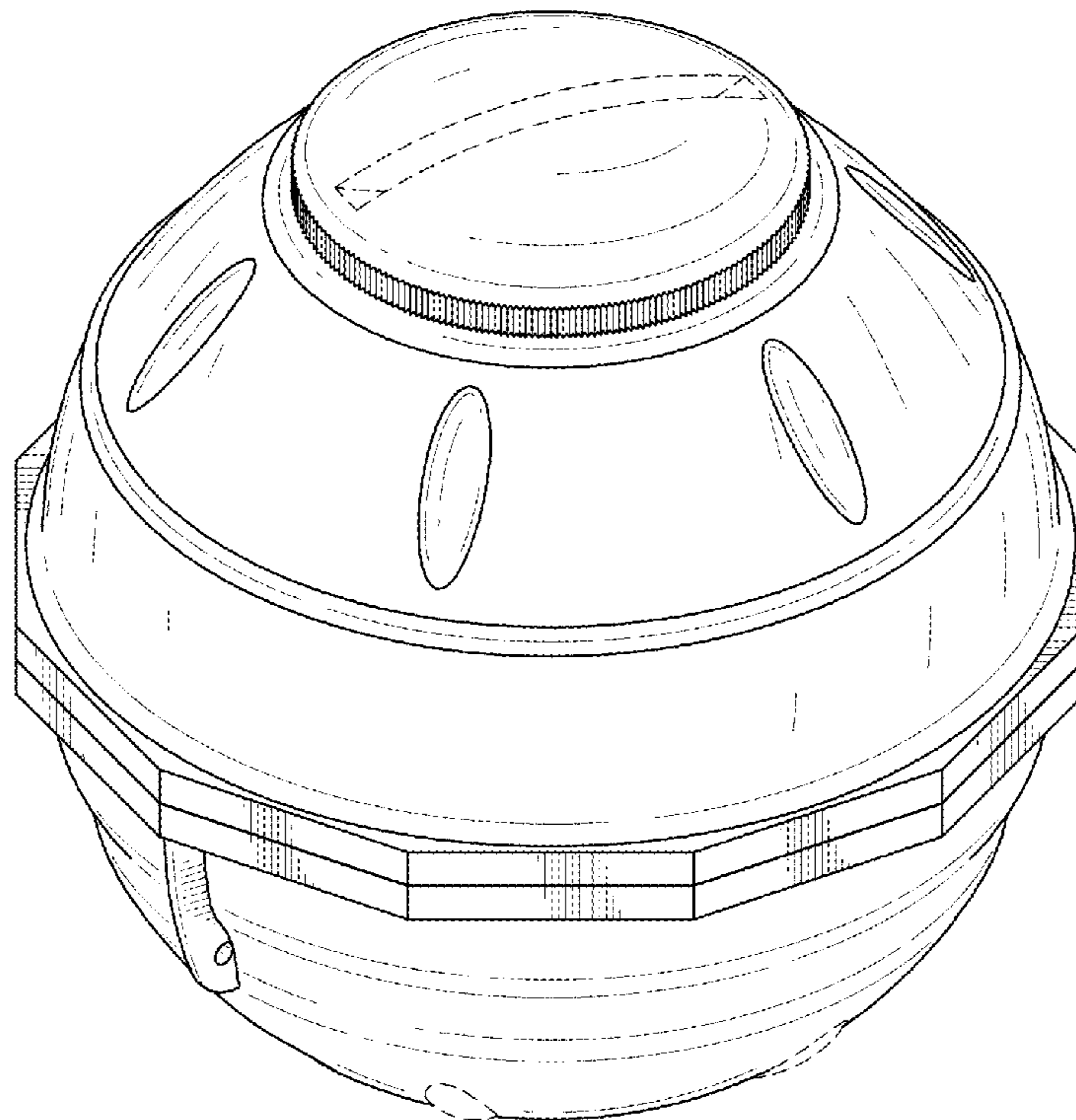
**DESCRIPTION**

FIG. 1 is a rear, left perspective view of an intelligent fish finder showing my new design;  
FIG. 2 is a rear elevational view thereof;  
FIG. 3 is a front elevational view thereof;  
FIG. 4 is a left side view thereof;  
FIG. 5 is a right side view thereof;  
FIG. 6 is a top plan view thereof; and,  
FIG. 7 is a bottom plan view thereof.

The broken line showing is for the purpose of illustrating environmental structure and forms no part of the claimed design.

The lid of the intelligent fish finder extends from the top surface to and including the vertical ridged portion, and can be twisted 360°. The lid therefore has no fixed position relative to the body.

**1 Claim, 7 Drawing Sheets**



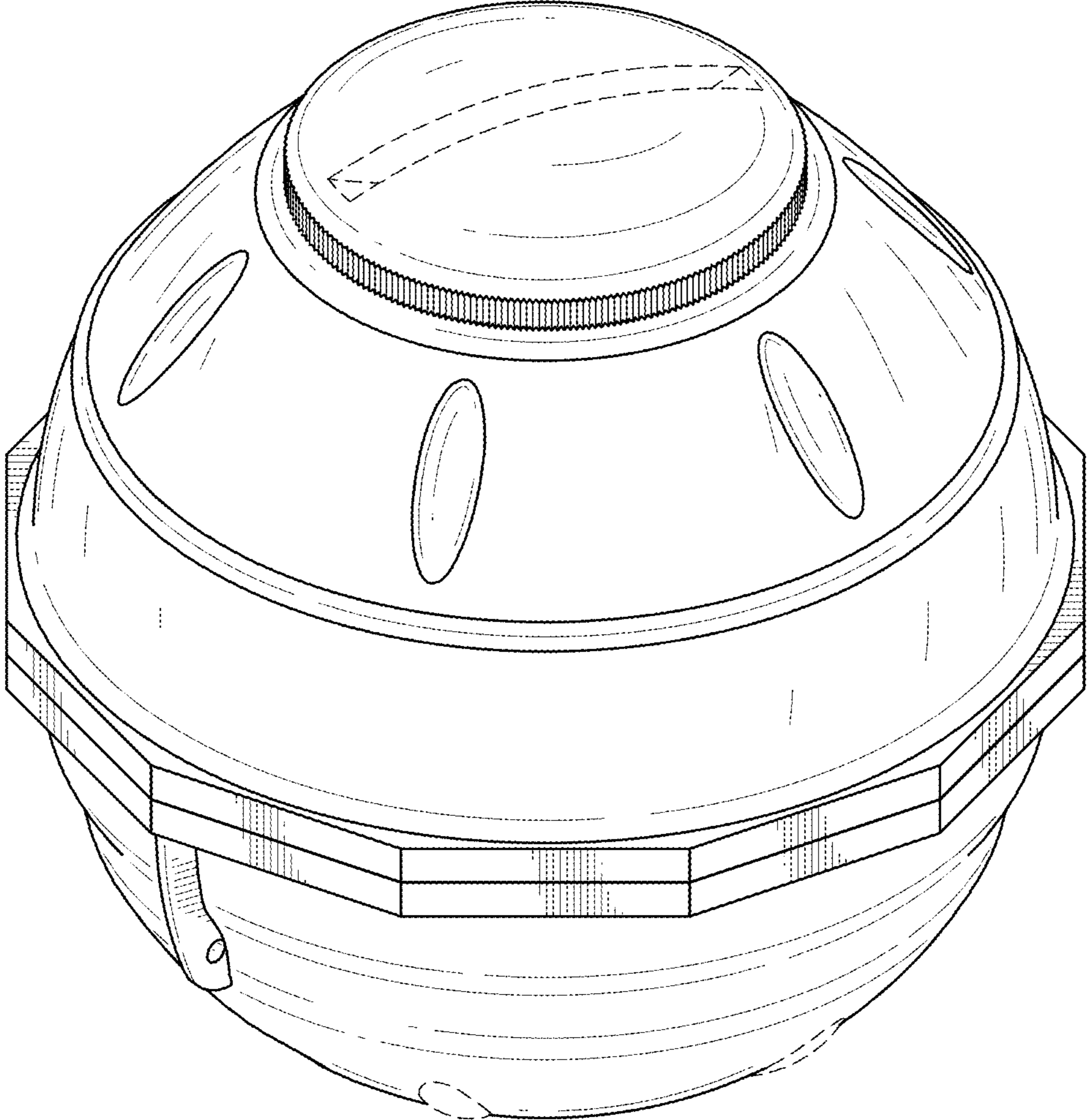


FIG.1

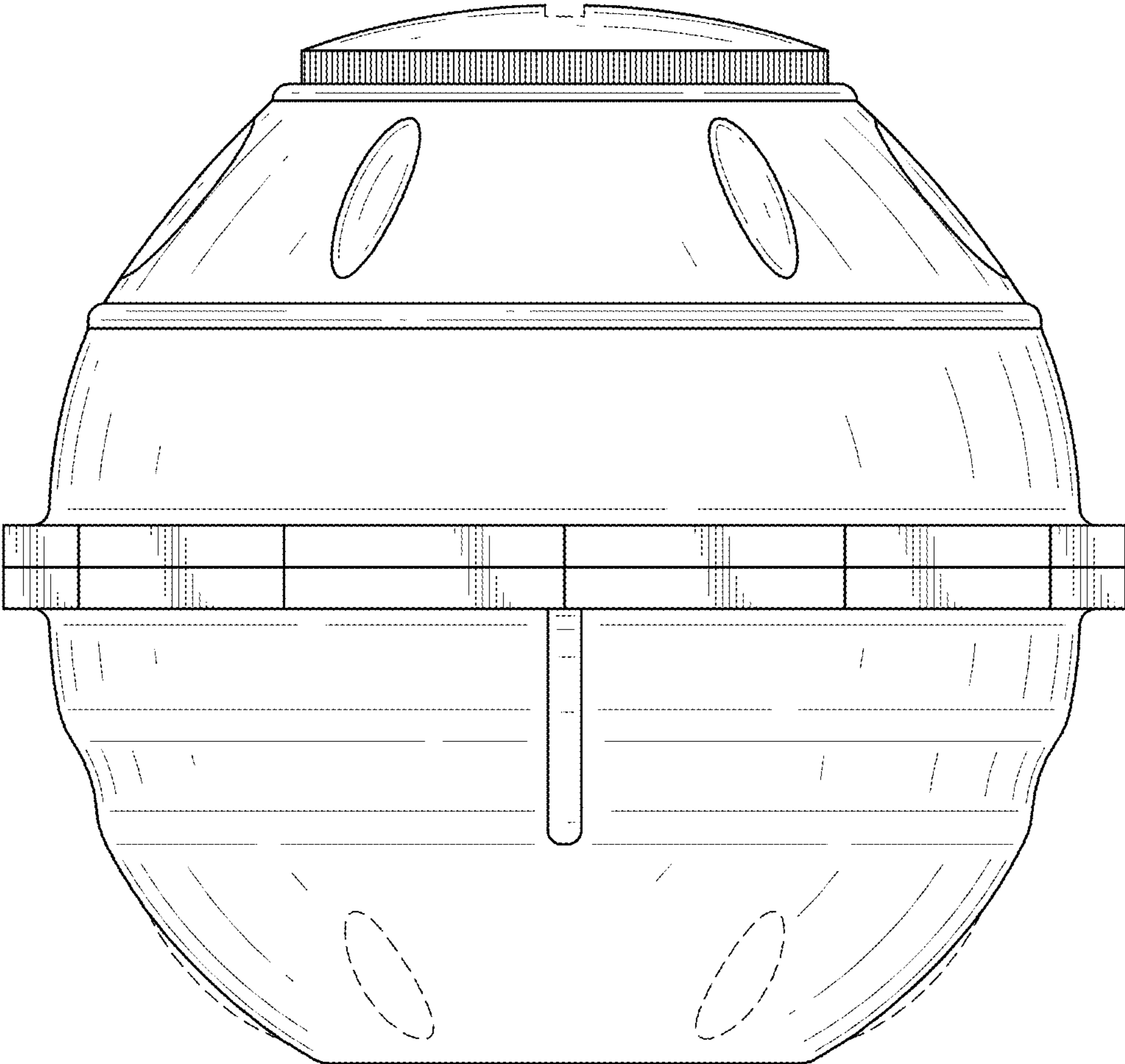


FIG.2

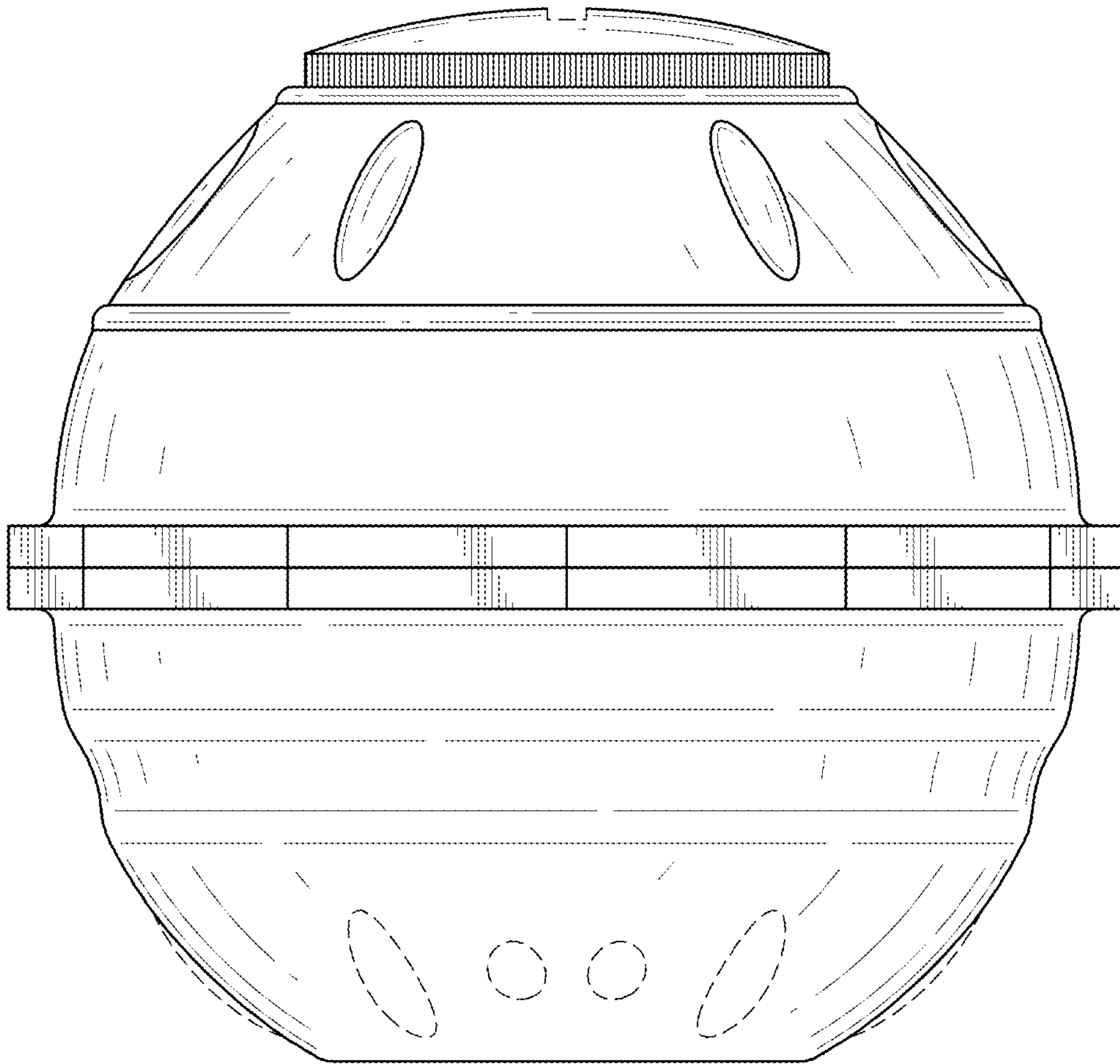


FIG.3

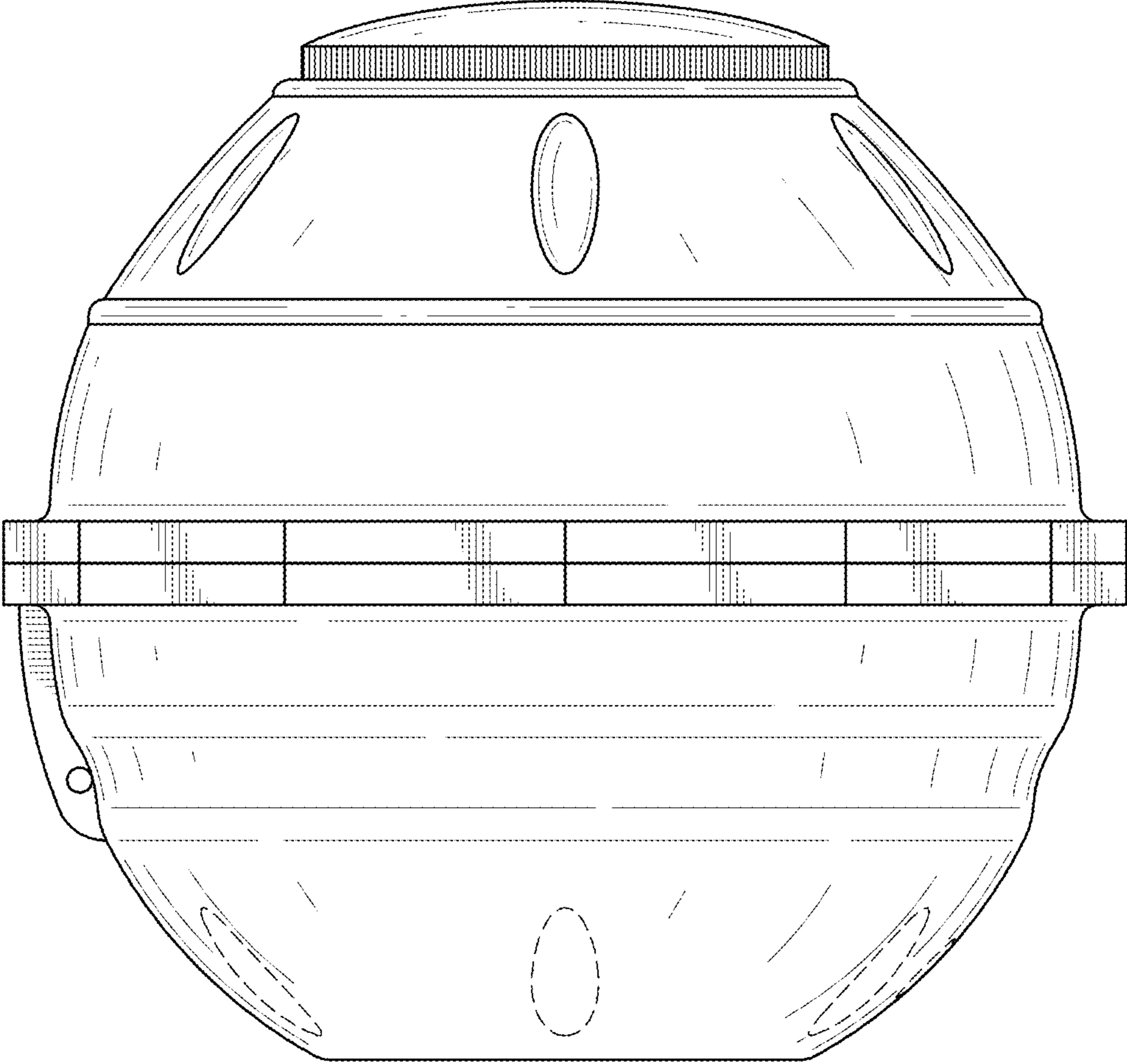


FIG.4



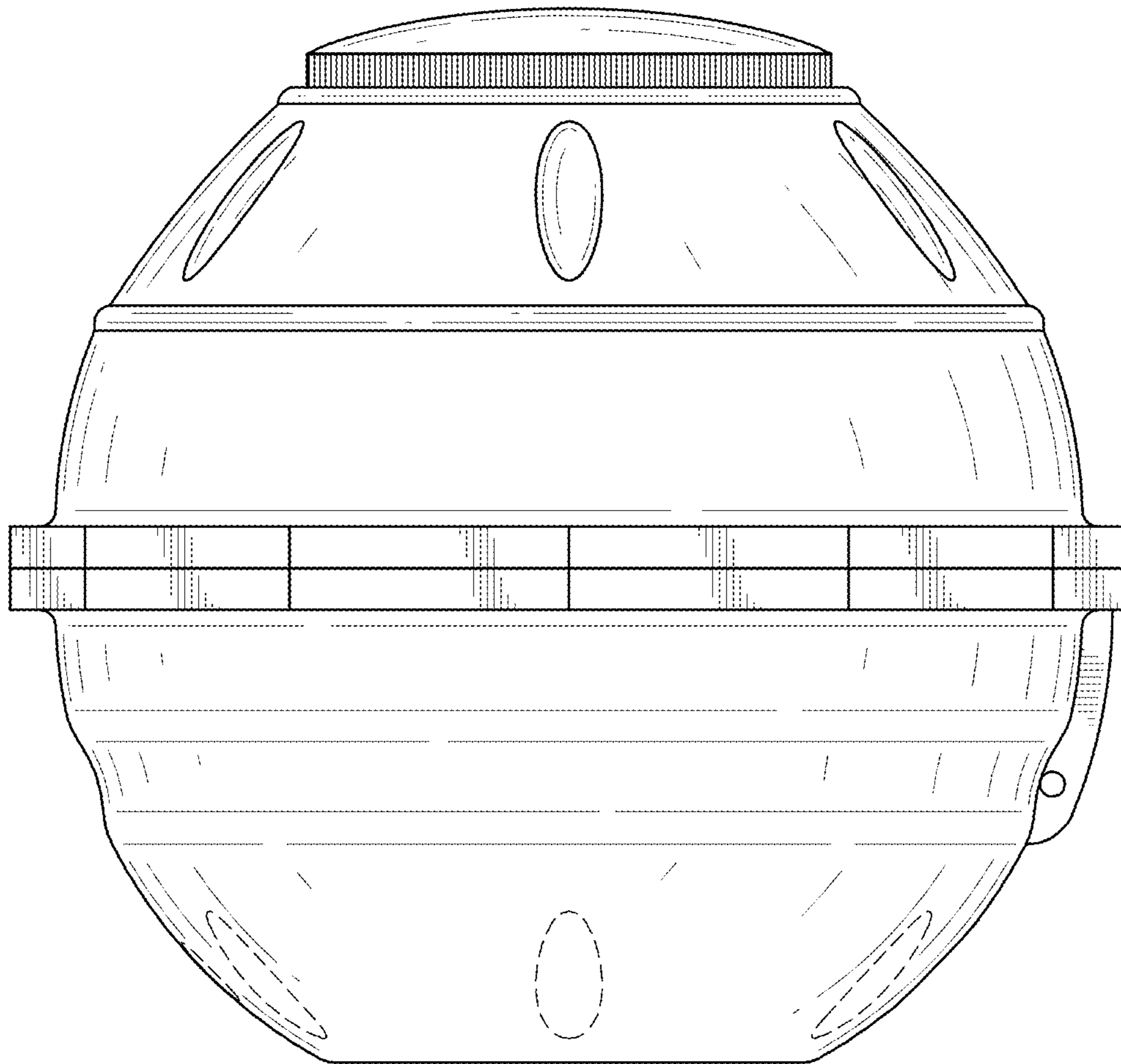


FIG.5

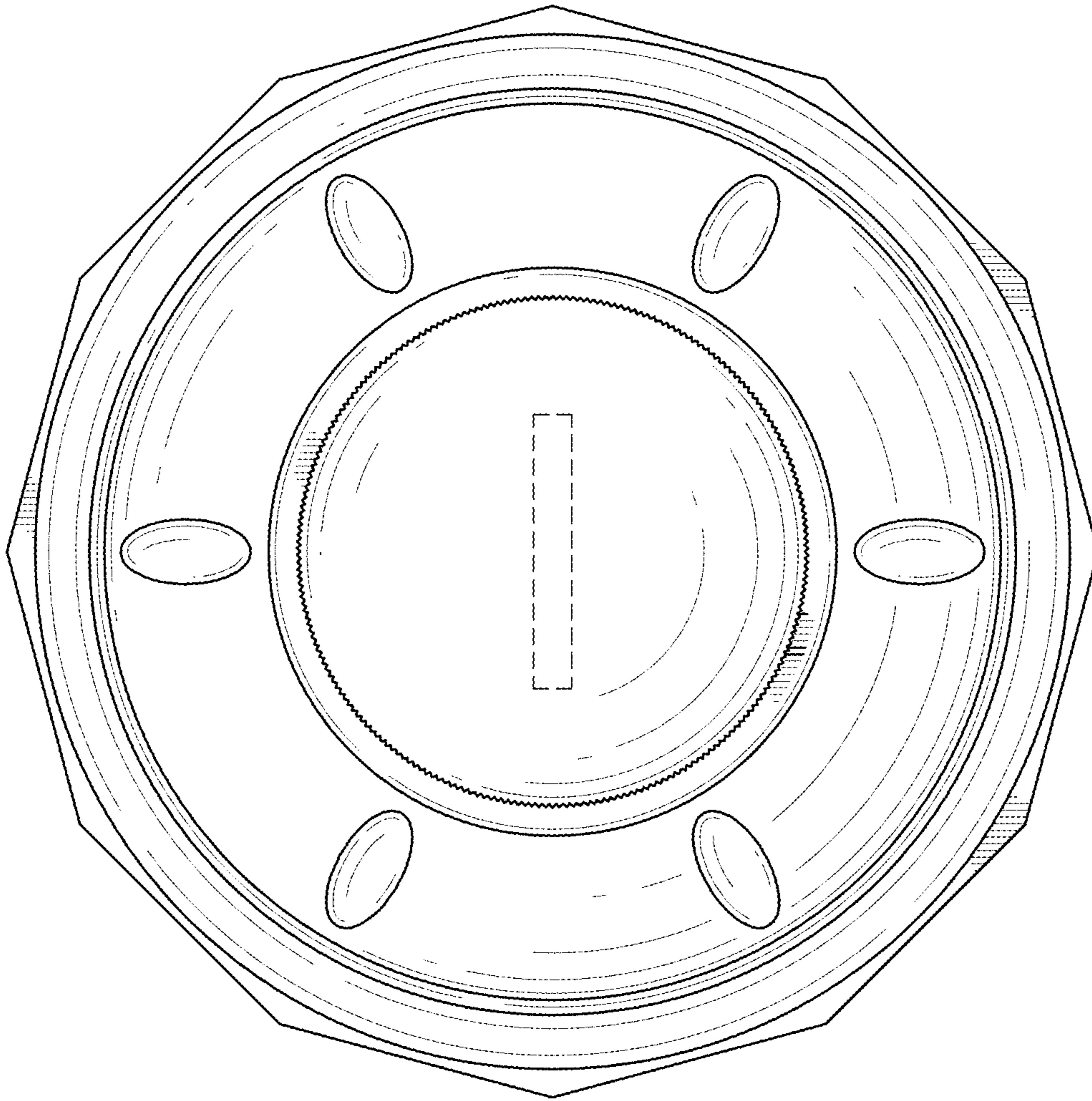


FIG.6

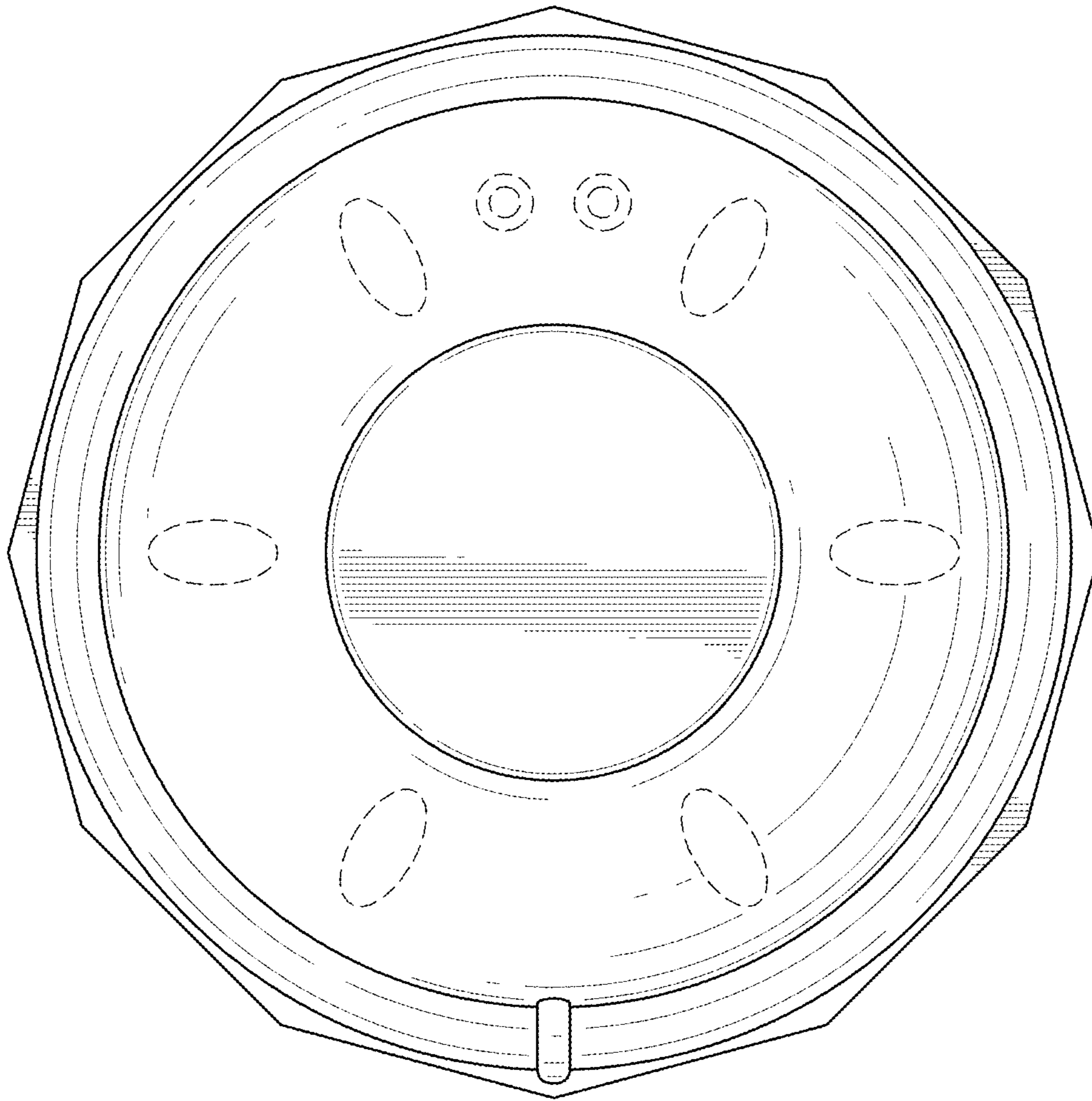


FIG.7