



US00D742475S

(12) **United States Design Patent**
Cook, Jr. et al.

(10) **Patent No.:** **US D742,475 S**
(45) **Date of Patent:** **** Nov. 3, 2015**

(54) **FISHING LURE**

(71) Applicants: **Victor J. Cook, Jr.**, Columbus, OH
(US); **Grant Koppers**,
Niagara-on-the-Lake (CA)

(72) Inventors: **Victor J. Cook, Jr.**, Columbus, OH
(US); **Grant Koppers**,
Niagara-on-the-Lake (CA)

(73) Assignee: **Koppers Fishing and Tackle Corp.**,
Niagara-on-the-Lake (CA)

(**) Term: **14 Years**

(21) Appl. No.: **29/495,209**

(22) Filed: **Jun. 27, 2014**

(51) **LOC (10) Cl.** **22-05**

(52) **U.S. Cl.**
USPC **D22/132**

(58) **Field of Classification Search**
USPC D22/126–133; 43/42.03, 42.08, 42.11,
43/42.39, 42.45, 42.36, 42.26, 42.02,
43/42.15, 42, 37, 42.47; D21/578, 597
See application file for complete search history.

(56) **References Cited**

U.S. PATENT DOCUMENTS

2,663,964	A	*	12/1953	Martin	43/42.02
D417,901	S	*	12/1999	Poppell	D22/132
D446,828	S	*	8/2001	Choh et al.	D21/597
D487,584	S	*	3/2004	Brinkman	D22/132
D706,898	S	*	6/2014	Renosky	D22/132
8,793,924	B2	*	8/2014	Hughes	43/42.15

* cited by examiner

Primary Examiner — Catheri Oliver-Garcia

(74) *Attorney, Agent, or Firm* — Wm. Cates Rambo

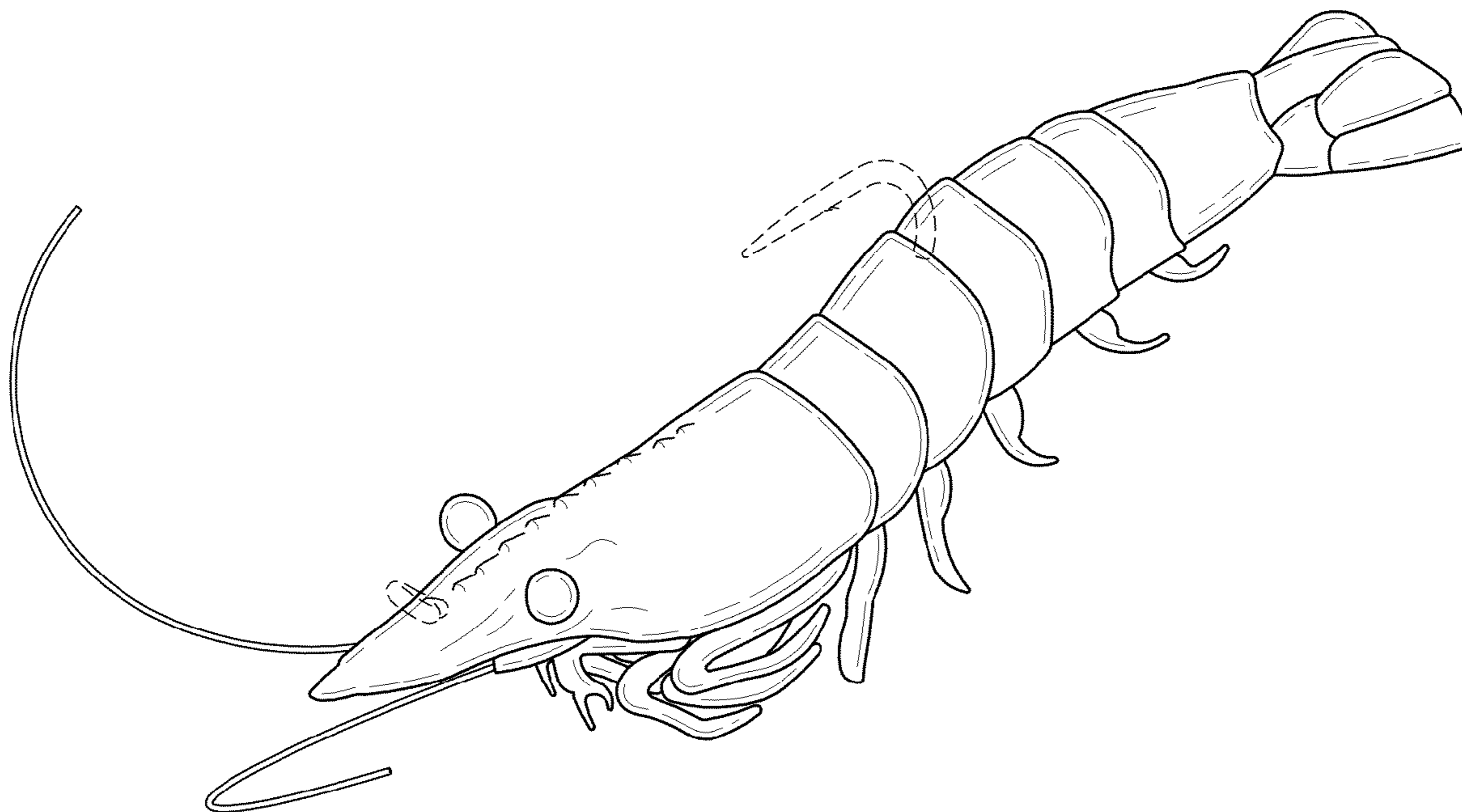
(57) **CLAIM**

The ornamental design for a fishing lure, as shown and described.

DESCRIPTION

FIG. 1 is a perspective view of a fishing lure;
FIG. 2 is a left side elevational view thereof;
FIG. 3 is a right side elevational view thereof;
FIG. 4 is a top plan view thereof;
FIG. 5 is a bottom plan view thereof;
FIG. 6 is a front elevational view thereof; and,
FIG. 7 is a rear elevational view thereof.
The portions shown in broken lines are included for illustrative purposes only and form no part of the claimed design.

1 Claim, 3 Drawing Sheets



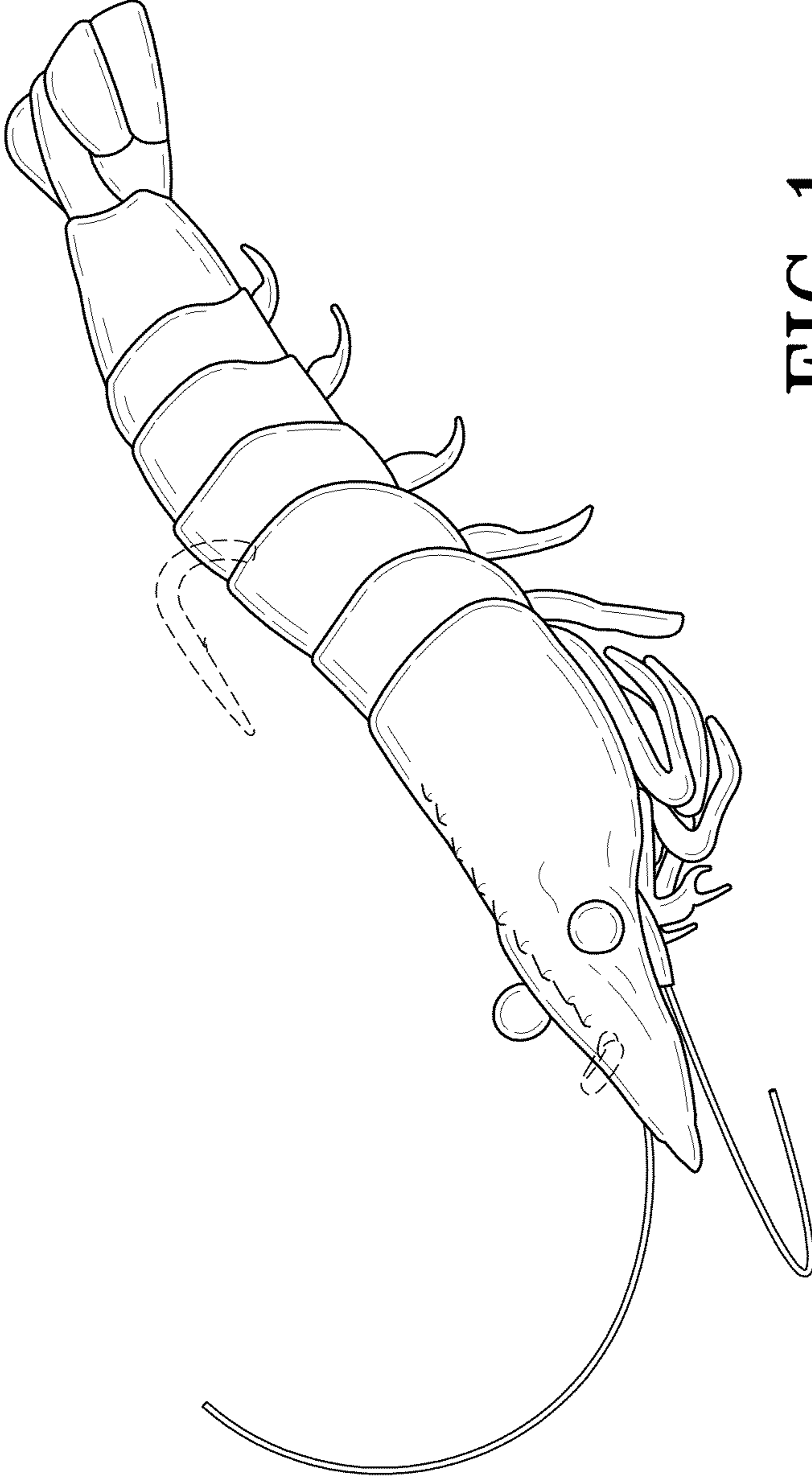


FIG. 1

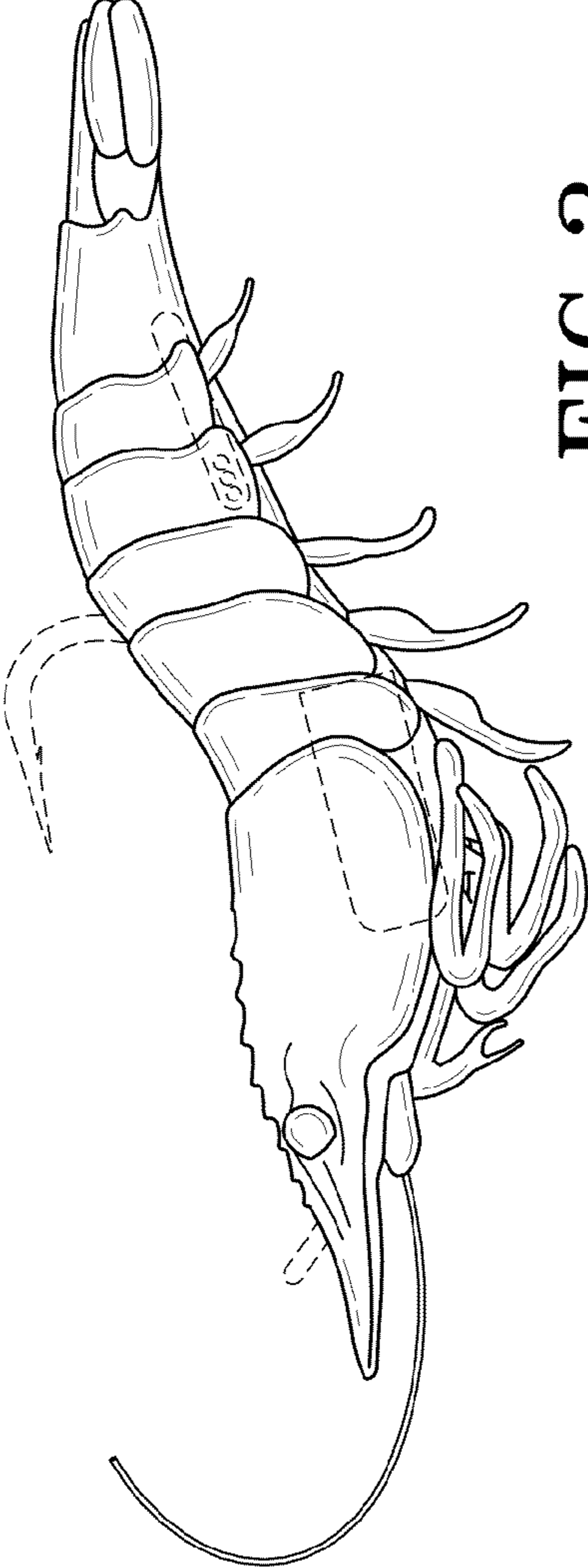


FIG. 2

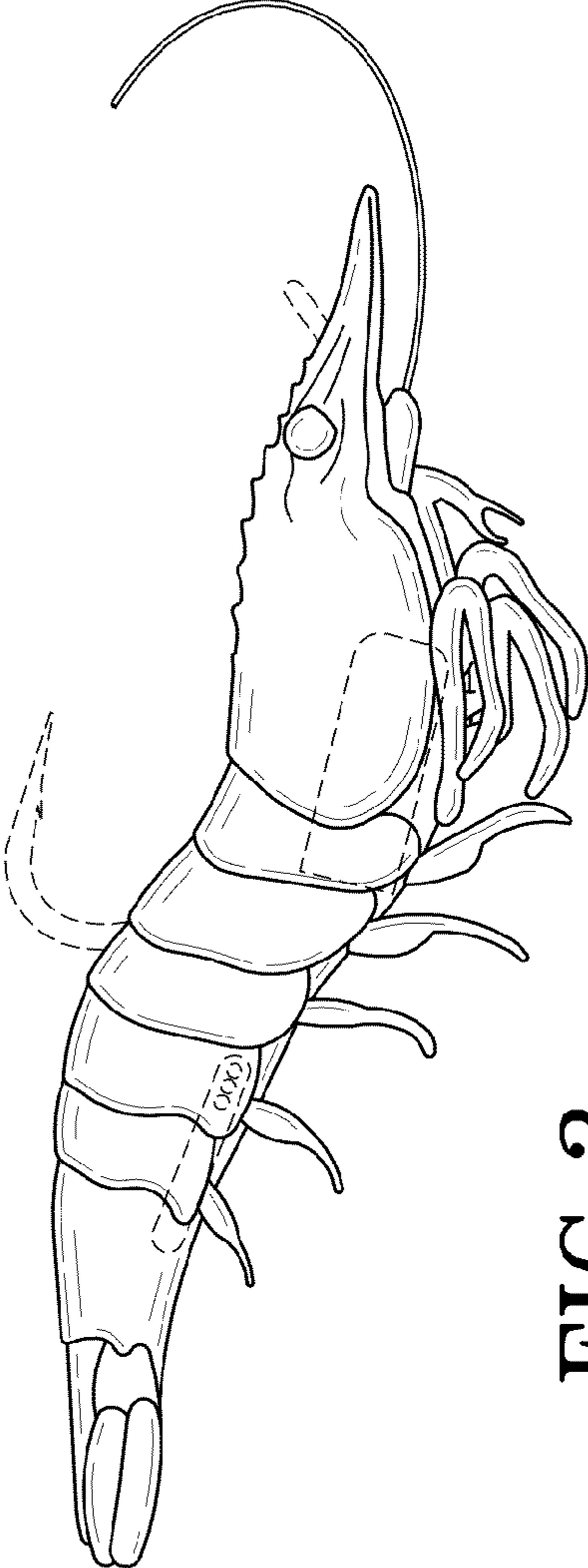


FIG. 3

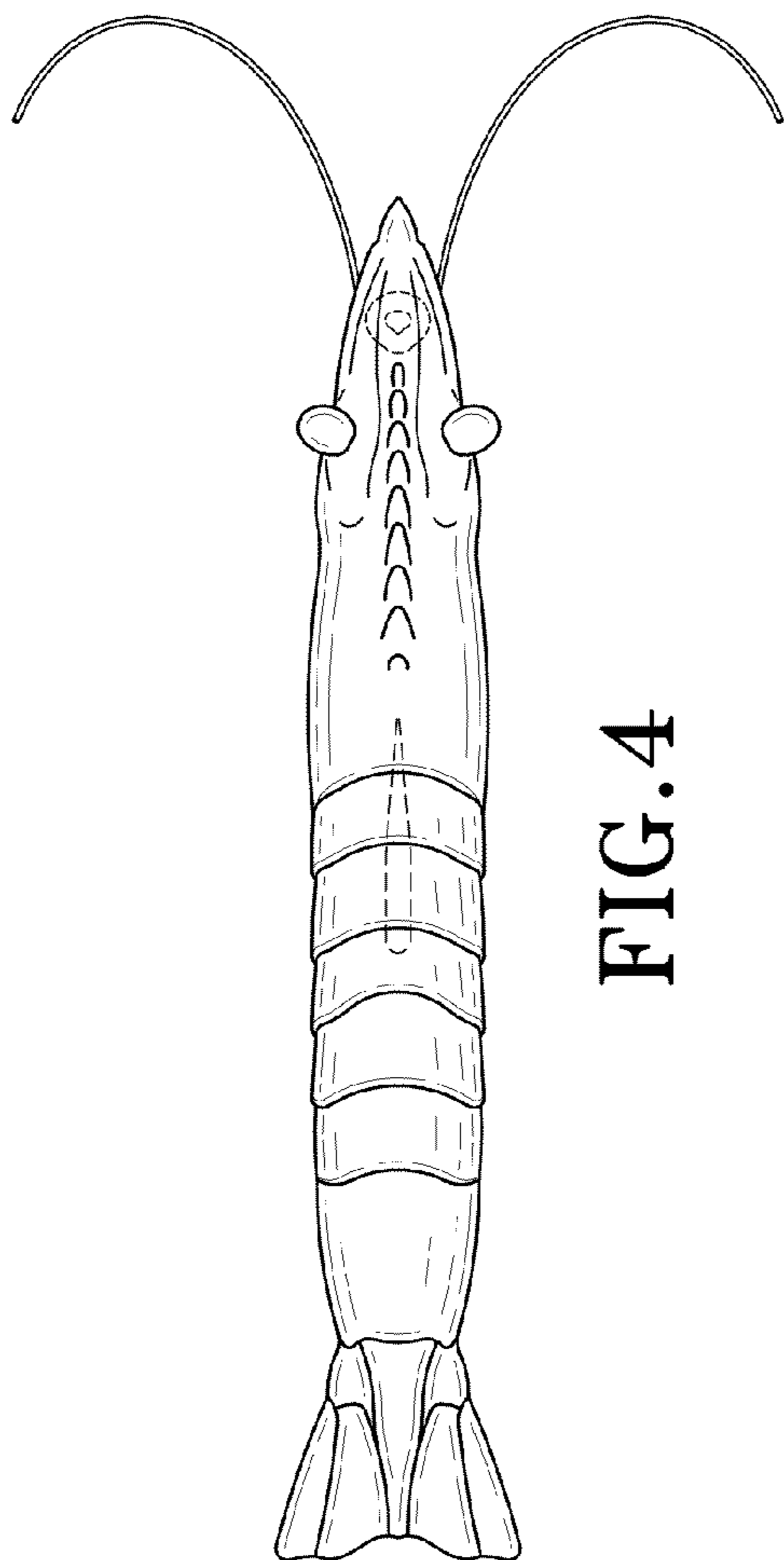


FIG. 4

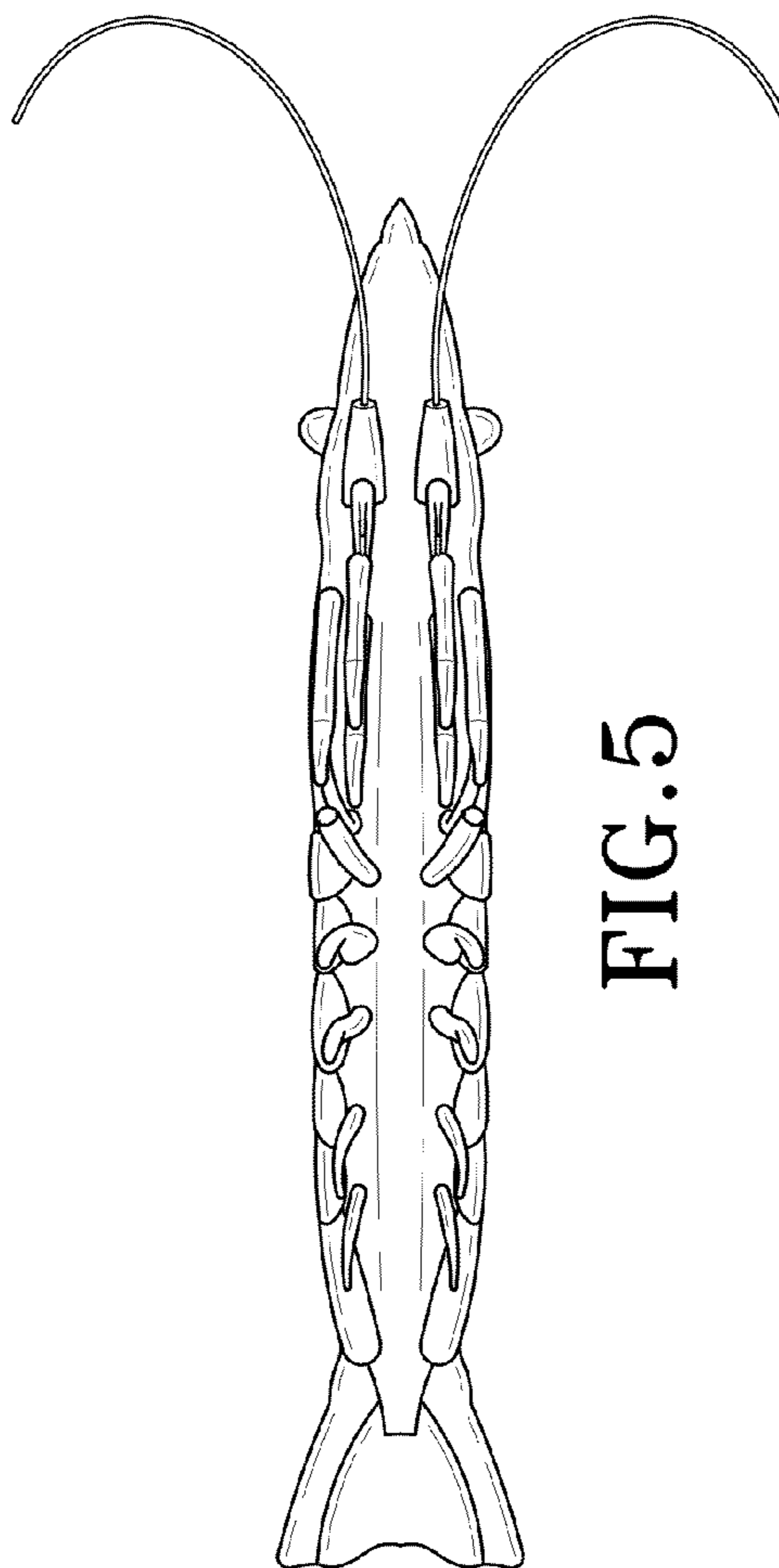


FIG. 5

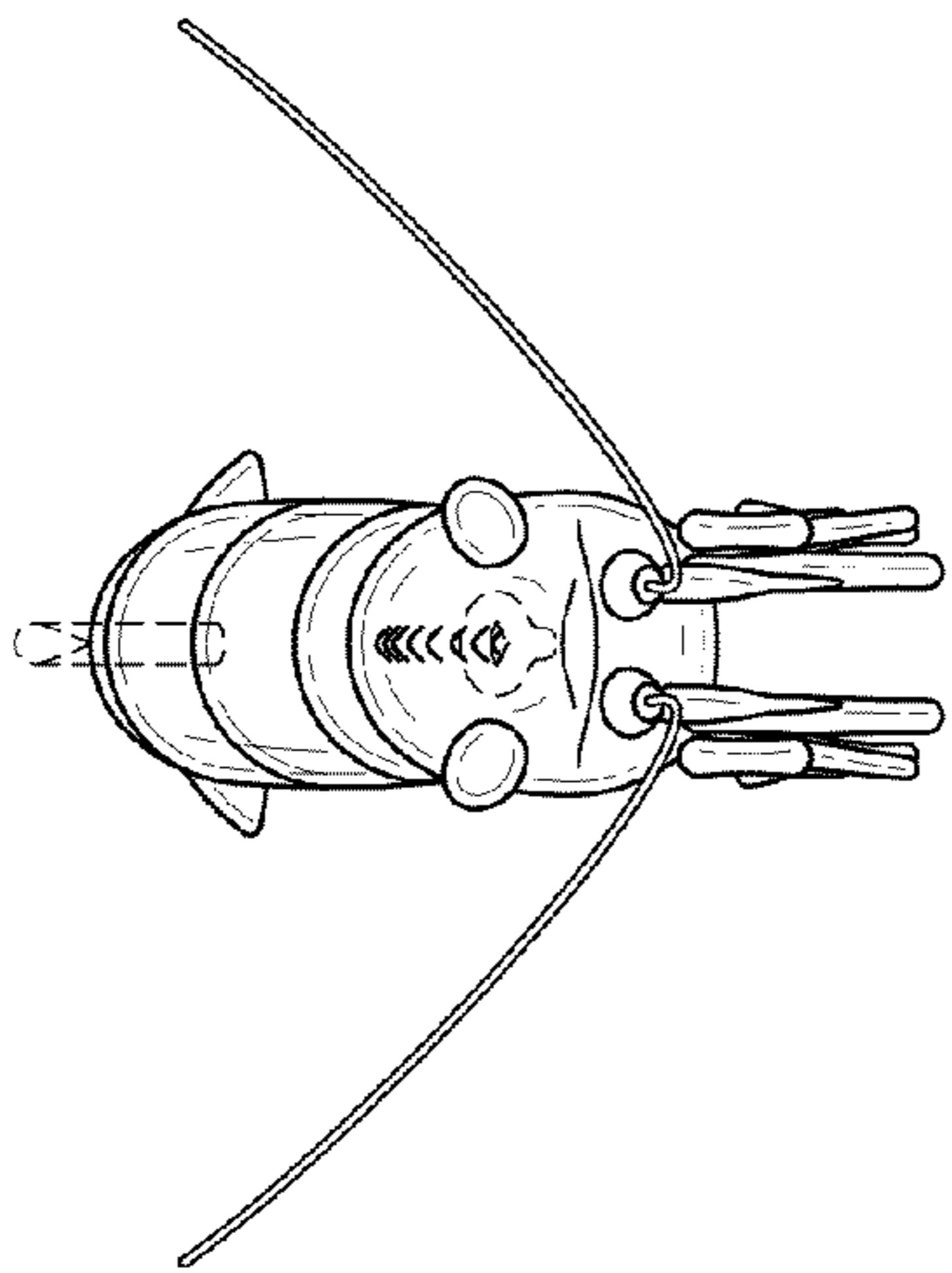


FIG. 6

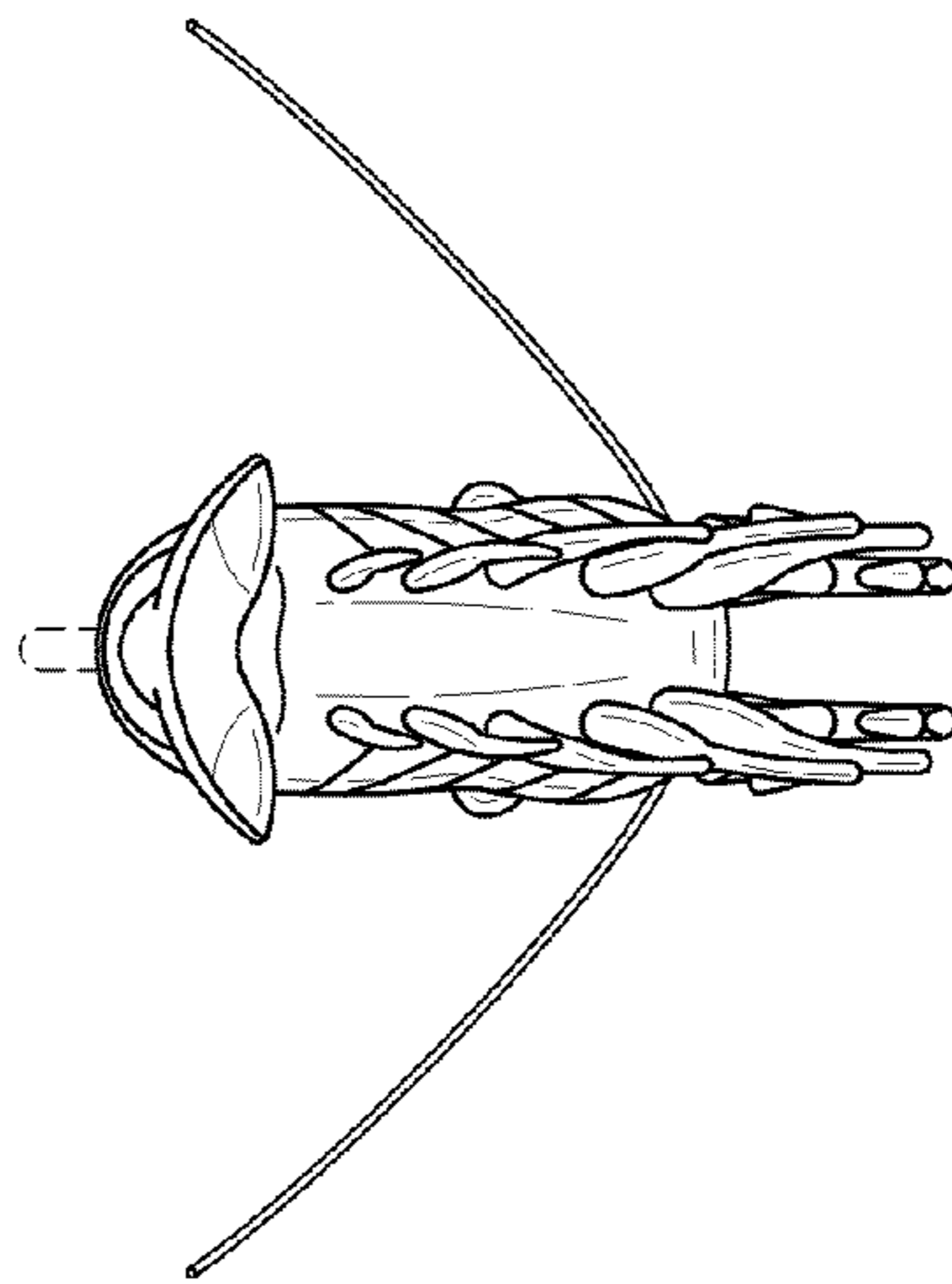


FIG. 7