



US00D742473S

(12) **United States Design Patent**  
**Cook, Jr. et al.**

(10) **Patent No.:** **US D742,473 S**  
(45) **Date of Patent:** **\*\* Nov. 3, 2015**

(54) **FISHING LURE**

(71) Applicants: **Victor J. Cook, Jr.**, Columbus, OH  
(US); **Grant Koppers**,  
Niagara-On-The-Lake (CA)

(72) Inventors: **Victor J. Cook, Jr.**, Columbus, OH  
(US); **Grant Koppers**,  
Niagara-On-The-Lake (CA)

(73) Assignee: **Koppers Fishing and Tackle Corp.**,  
Niagara-On-The-Lake (CA)

(\*\*) Term: **14 Years**

(21) Appl. No.: **29/495,200**

(22) Filed: **Jun. 27, 2014**

(51) **LOC (10) Cl.** ..... **22-05**

(52) **U.S. Cl.**  
USPC ..... **D22/131**

(58) **Field of Classification Search**  
USPC ..... D22/126-133; 43/42.14, 42.15, 42.36,  
43/42.05, 42.13, 42.22, 42.12, 42.28,  
43/42.06, 42.09, 42.16, 42.31

See application file for complete search history.

(56) **References Cited**

U.S. PATENT DOCUMENTS

|               |         |               |       |          |
|---------------|---------|---------------|-------|----------|
| 2,909,864 A * | 10/1959 | Gallagher     | ..... | 43/42.48 |
| D270,751 S *  | 9/1983  | Gowing et al. | ..... | D22/133  |
| D467,298 S *  | 12/2002 | Pearce        | ..... | D22/131  |
| D513,057 S *  | 12/2005 | Mueller       | ..... | D22/131  |

\* cited by examiner

*Primary Examiner* — Catheri Oliver-Garcia

(74) *Attorney, Agent, or Firm* — WM. Cates Rambo

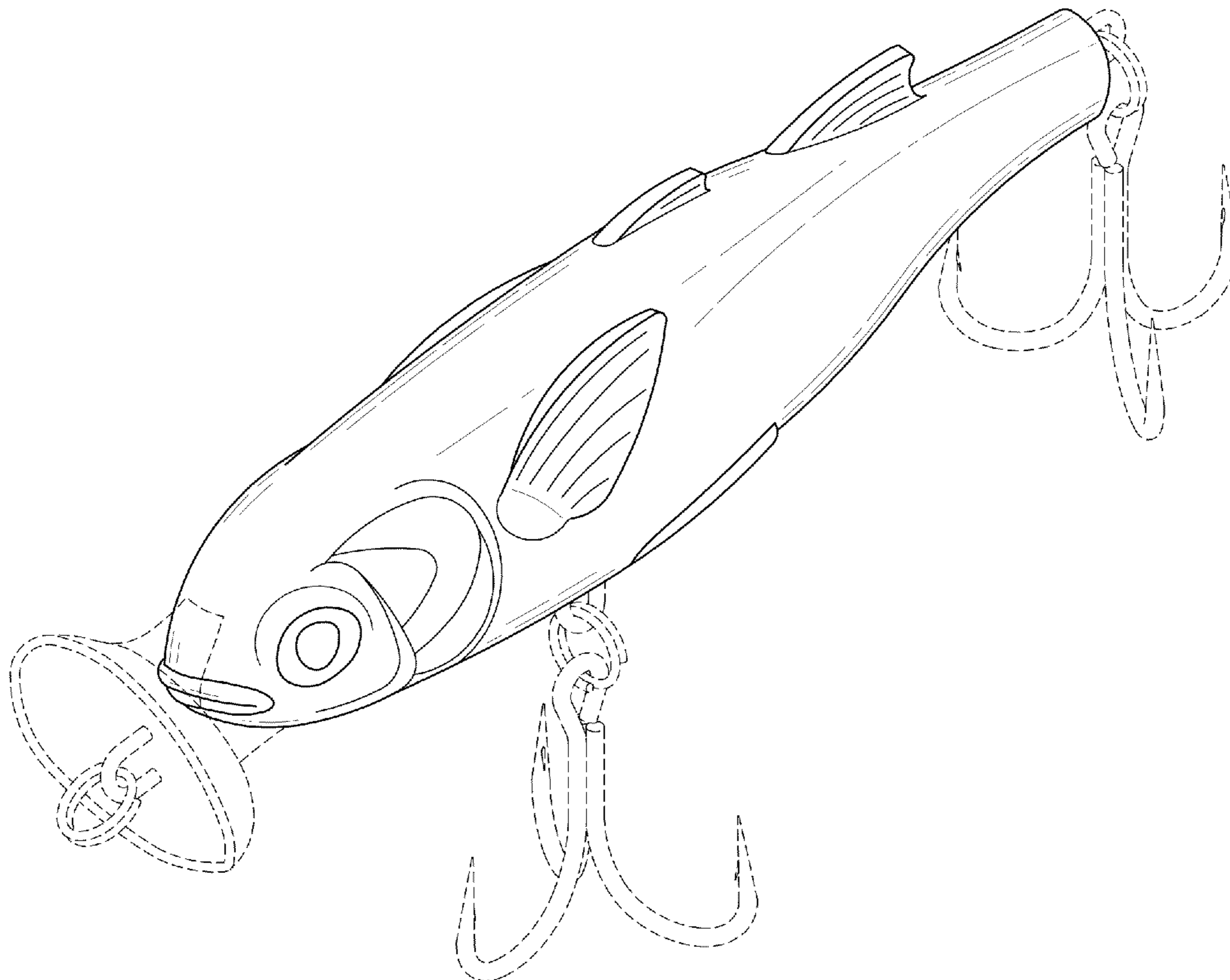
(57) **CLAIM**

The ornamental design for a fishing lure, as shown and described.

**DESCRIPTION**

FIG. 1 is a perspective view of a fishing lure;  
FIG. 2 is a right side elevational view thereof;  
FIG. 3 is a left side elevational view thereof;  
FIG. 4 is a top plan view thereof;  
FIG. 5 is a bottom plan view thereof;  
FIG. 6 is a front elevational view thereof; and,  
FIG. 7 is a rear elevational view thereof.  
The portions shown in broken lines are included for illustrative purposes only and form no part of the claimed design.

**1 Claim, 3 Drawing Sheets**



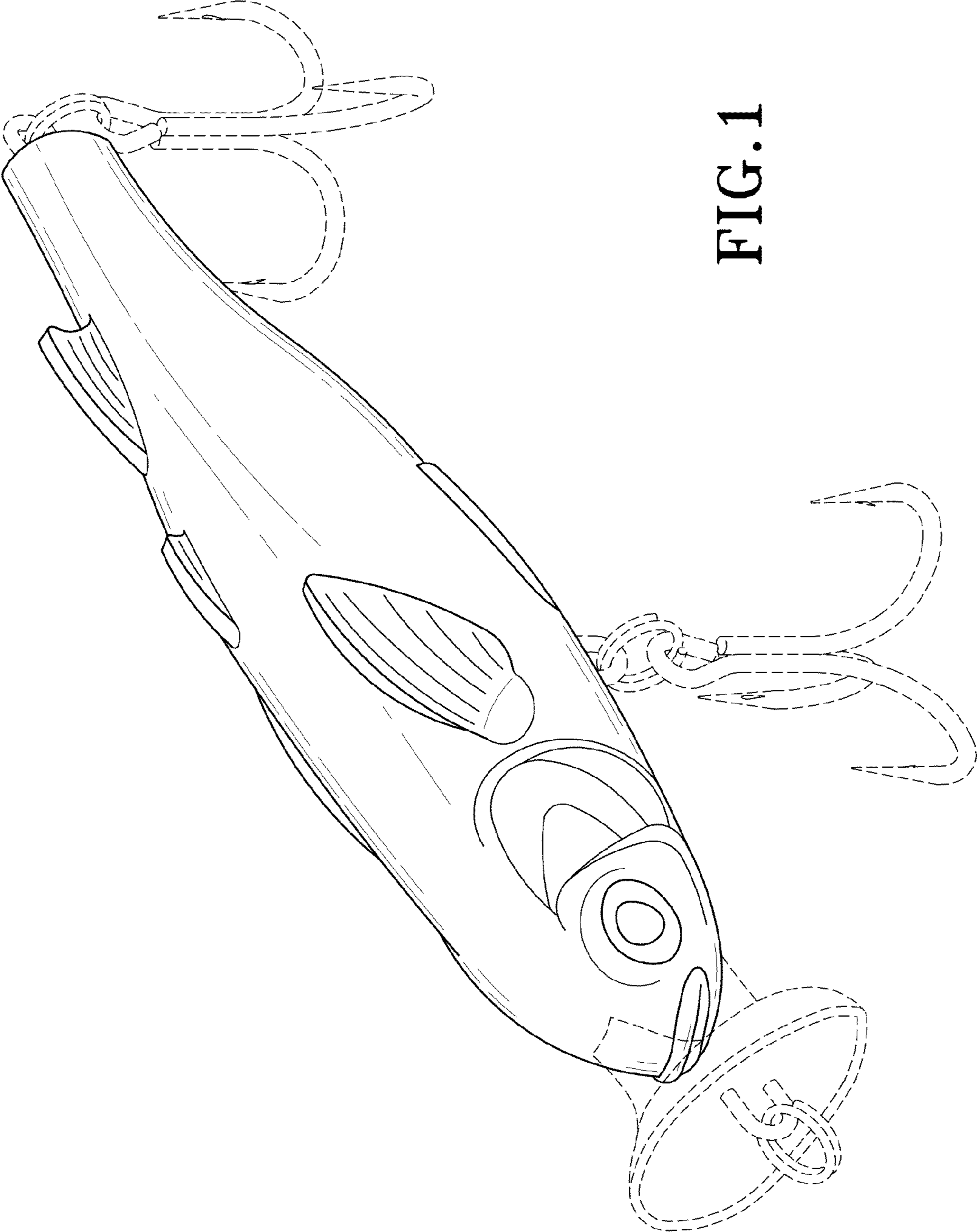


FIG. 1

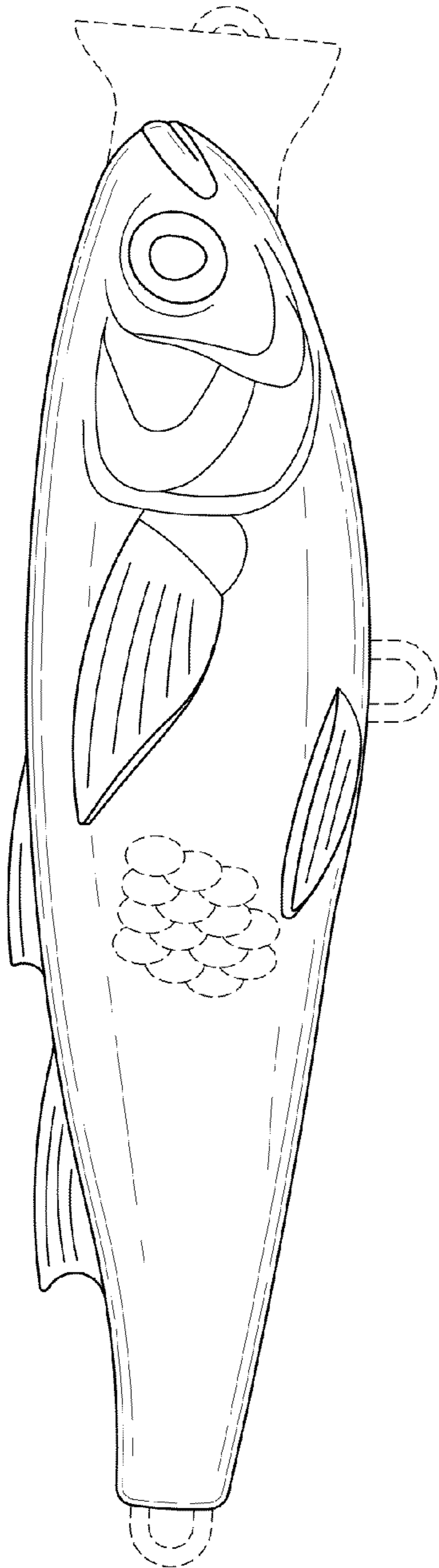


FIG. 2

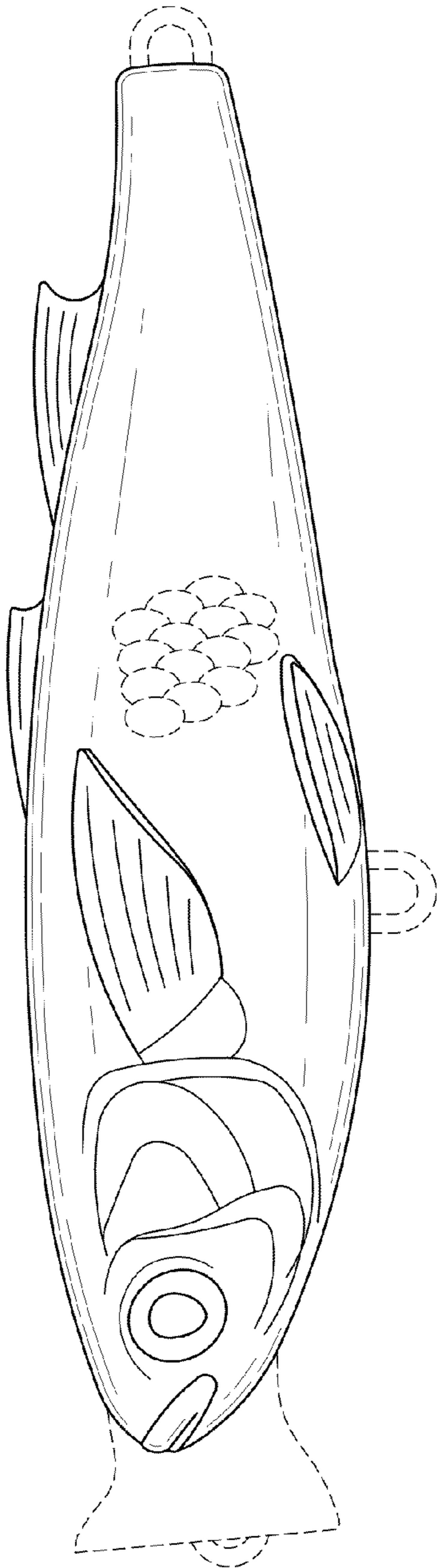


FIG. 3

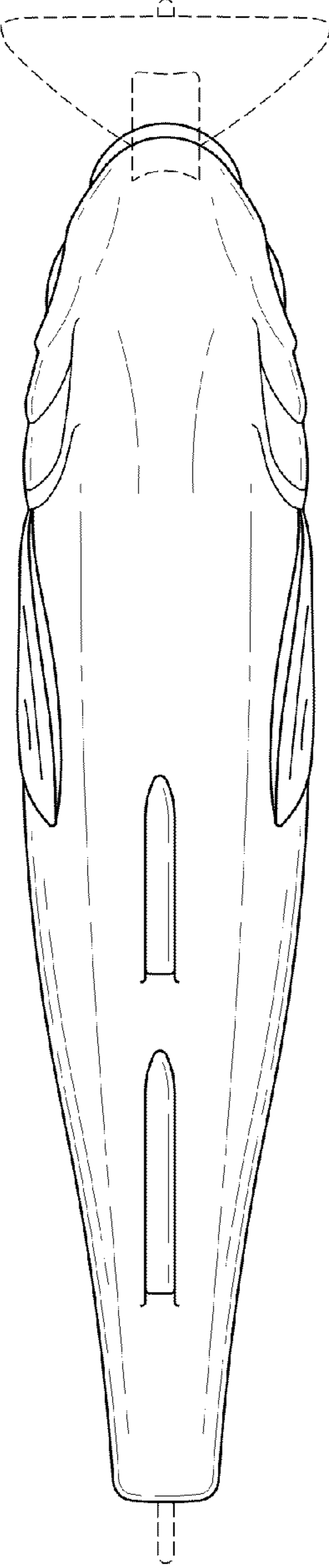


FIG. 4

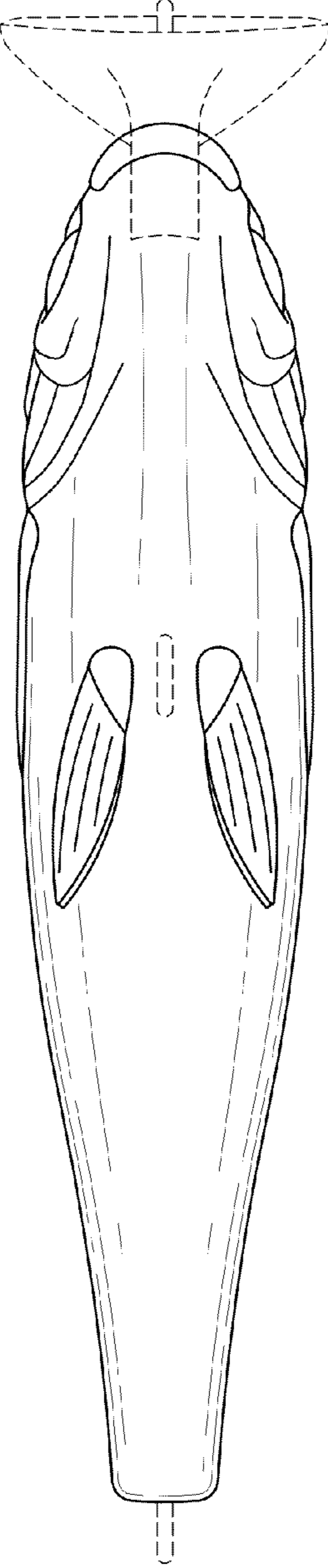


FIG. 5

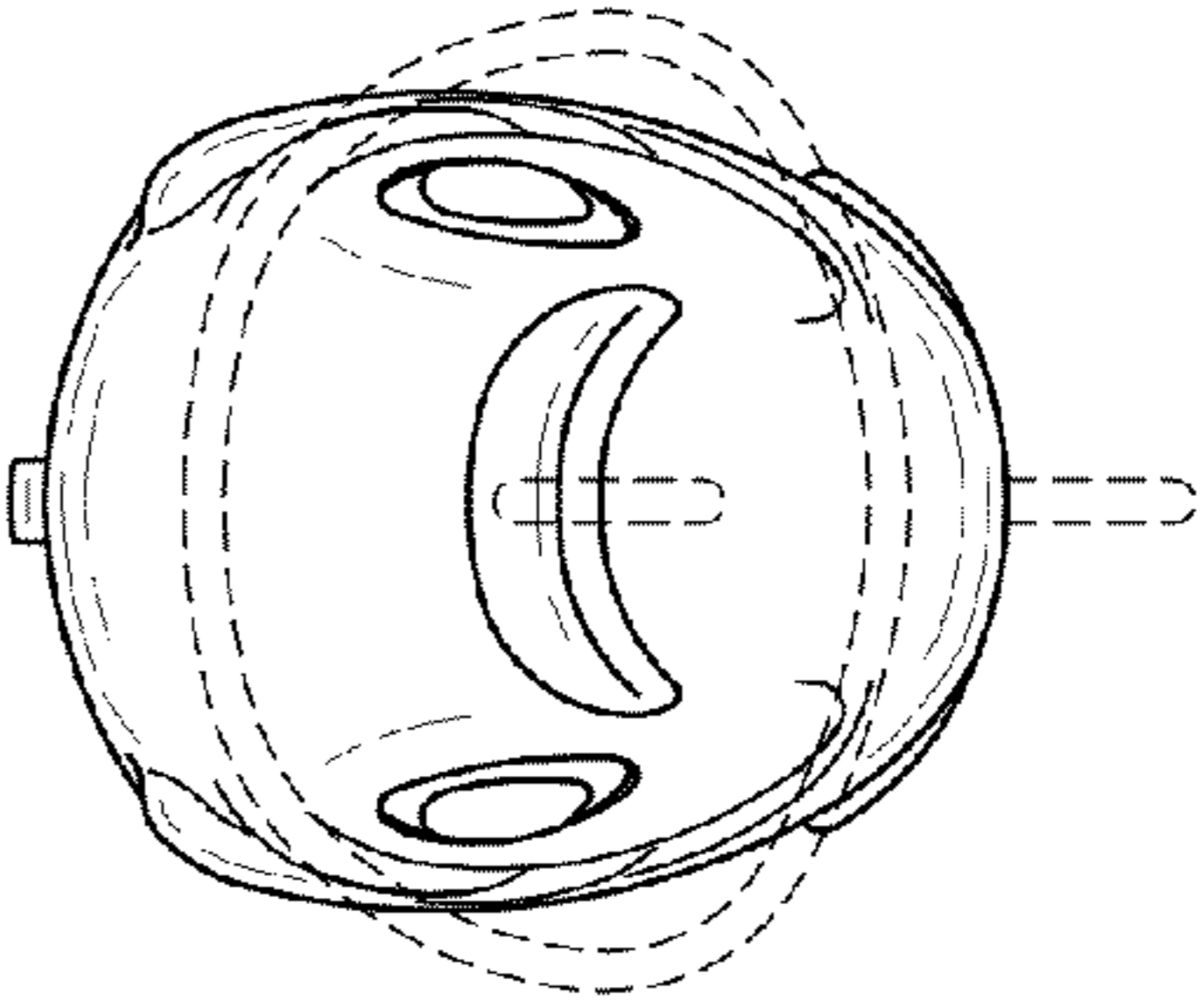


FIG. 6

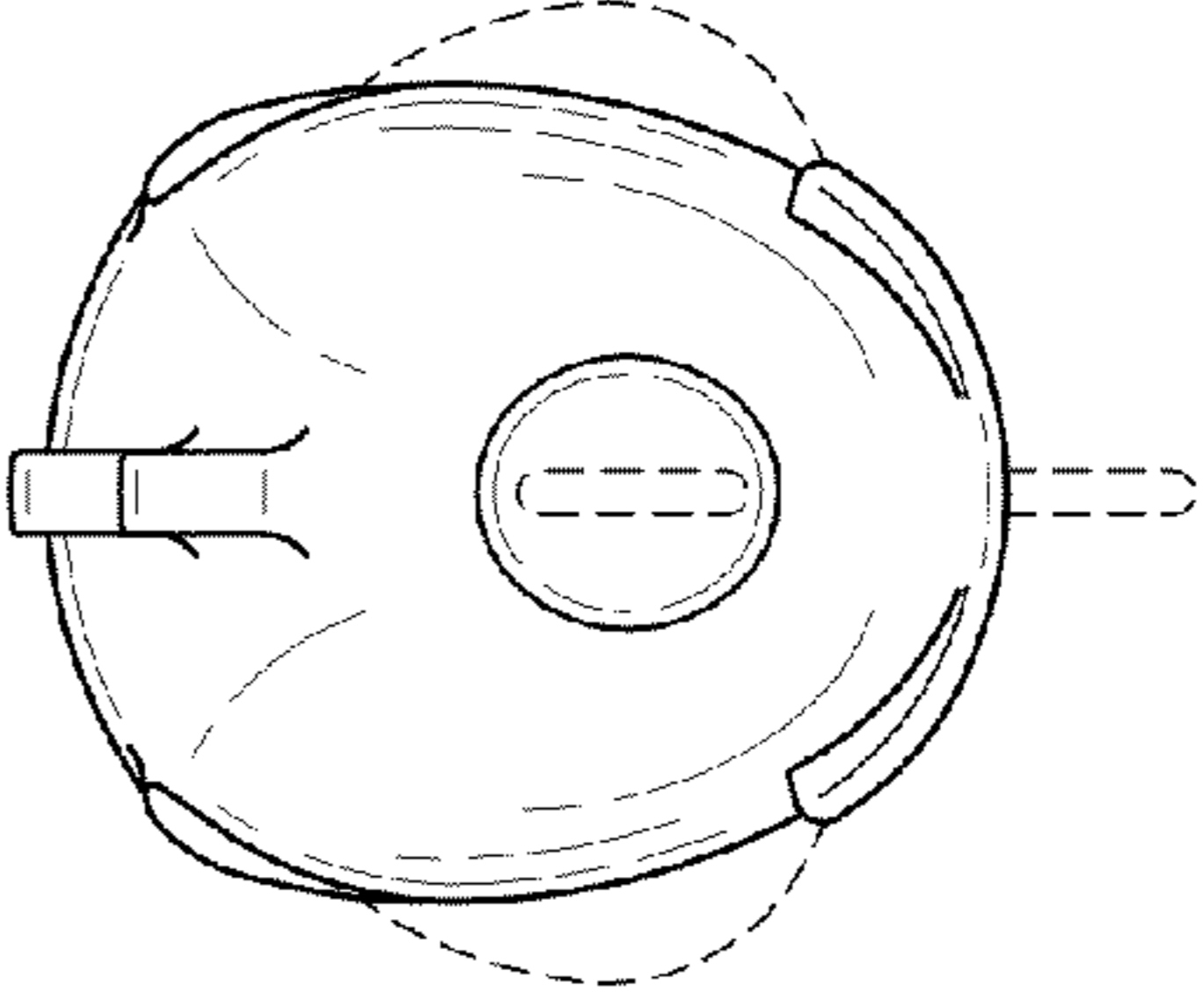


FIG. 7