



US00D742472S

(12) **United States Design Patent**
Ledet

(10) **Patent No.:** **US D742,472 S**
(45) **Date of Patent:** **** Nov. 3, 2015**

(54) **BAYONET ATTACHMENT DEVICE**

(71) Applicant: **David L. Ledet**, Mesa, AZ (US)

(72) Inventor: **David L. Ledet**, Mesa, AZ (US)

(73) Assignee: **David L. Ledet**, Mesa, AZ (US)

(**) Term: **14 Years**

(21) Appl. No.: **29/495,138**

(22) Filed: **Jun. 27, 2014**

(51) **LOC (10) Cl.** **22-02**

(52) **U.S. Cl.**
USPC **D22/118**

(58) **Field of Classification Search**

USPC D22/117-120, 108-110; 42/75.01, 86,
42/106; 403/325, 361, 373, 377;
D21/567-568; D8/95-99; D7/649;
30/296.1, 299

See application file for complete search history.

(56) **References Cited**

U.S. PATENT DOCUMENTS

1,237,330	A *	8/1917	Johnson, Jr.	A01G 3/08
					42/86
2,333,379	A *	11/1943	Johnson, Jr.	F41C 27/18
					42/86
3,076,280	A *	2/1963	Bervoets	F41C 27/18
					42/86
3,613,283	A *	10/1971	Mozey, Jr.	F41C 27/18
					42/86
6,289,621	B1 *	9/2001	Vendetti	F41C 27/18
					42/106
8,549,784	B2 *	10/2013	Evans-Hendrick	F41C 27/18
					42/86

* cited by examiner

Primary Examiner — Catheri Oliver-Garcia

(74) *Attorney, Agent, or Firm* — Jackson White, PC

(57) **CLAIM**

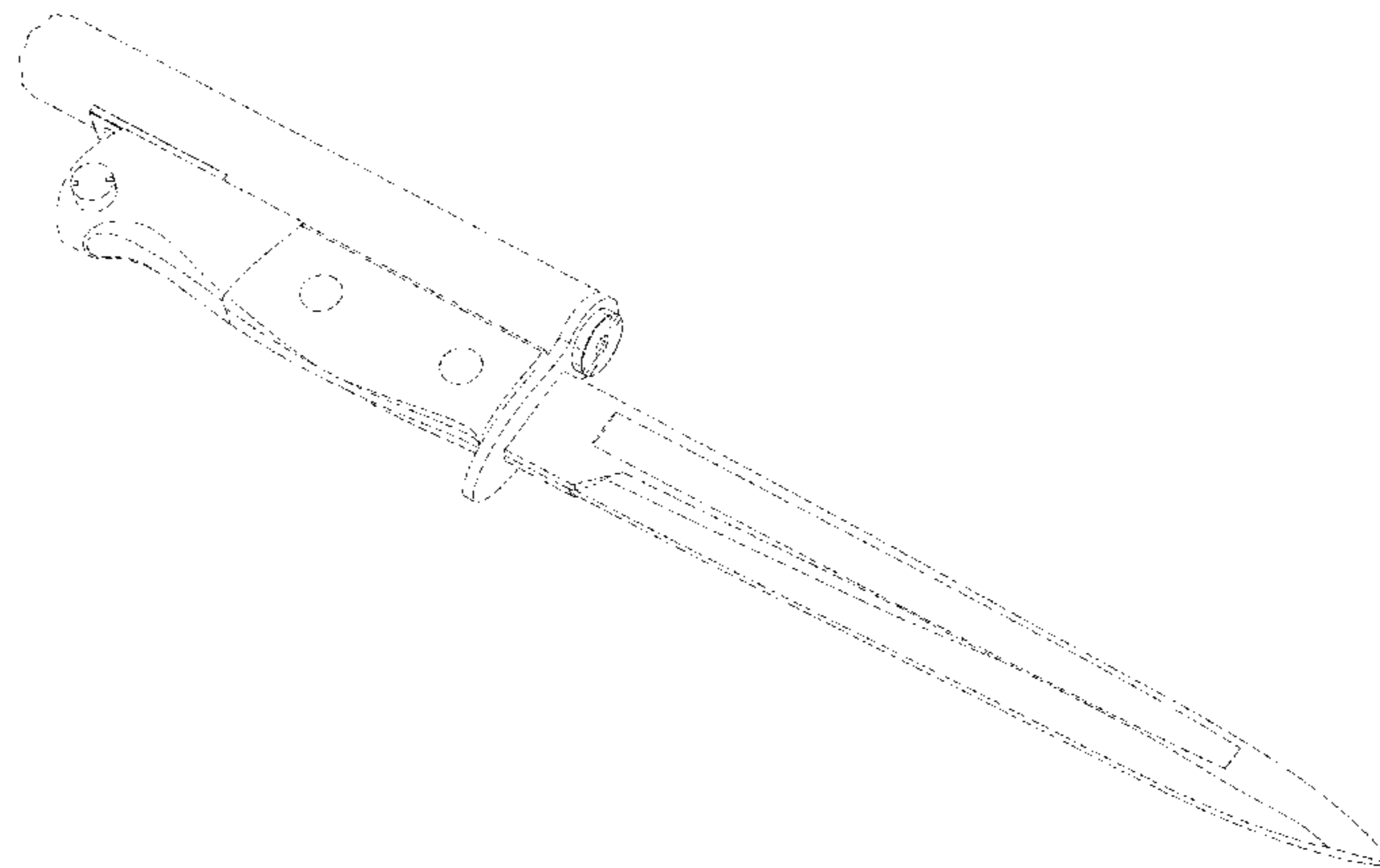
The ornamental design for a bayonet attachment device, as shown and described.

DESCRIPTION

FIG. 1 is a perspective view of the present invention;
 FIG. 2 is a right side view of the present invention;
 FIG. 3 is a left side view of the present invention;
 FIG. 4 is a front view of the present invention;
 FIG. 5 is a rear view of the present invention;
 FIG. 6 is a top view of the present invention;
 FIG. 7 is a bottom view of the present invention;
 FIG. 8 is an exploded perspective view of the present invention;
 FIG. 9 is perspective view of a first portion of the present invention of FIG. 1;
 FIG. 10 is a front view of the first portion of the present invention of FIG. 9;
 FIG. 11 is a rear view of the first portion of the present invention of FIG. 9;
 FIG. 12 is a left view of the first portion of the present invention of FIG. 9;
 FIG. 13 is a right view of the first portion of the present invention of FIG. 9;
 FIG. 14 is a top view of the first portion of the present invention of FIG. 9;
 FIG. 15 is a bottom view of the first portion of the present invention of FIG. 9;
 FIG. 16 is a perspective view of the second portion of the present invention of FIG. 1;
 FIG. 17 is a front view of the second portion of the present invention of FIG. 16;
 FIG. 18 is a rear view of the second portion of the present invention of FIG. 16;
 FIG. 19 is a left view of the second portion of the present invention of FIG. 16;
 FIG. 20 is a right view of the second portion of the present invention of FIG. 16;
 FIG. 21 is top view of the second portion of the present invention of FIG. 16; and,
 FIG. 22 is a bottom view of the second portion of the present invention of FIG. 16.

The broken lines in FIGS. 1-22 immediately adjacent the solid lines represent the bounds of the claim, and the broken lines and the area within the broken lines represent unclaimed portions of the present invention. None of the broken lines form a part of the claimed design.

1 Claim, 7 Drawing Sheets



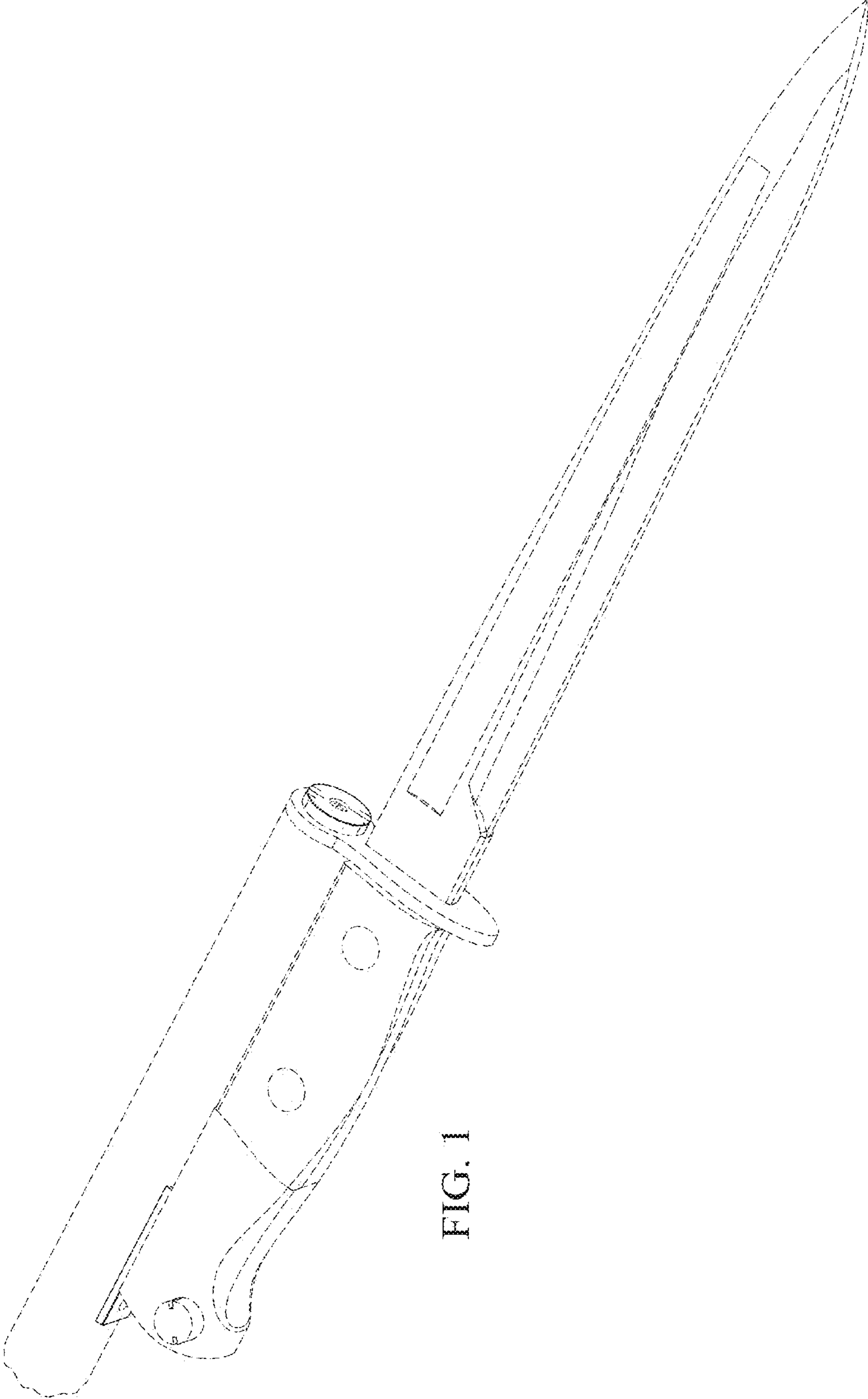


FIG. 1

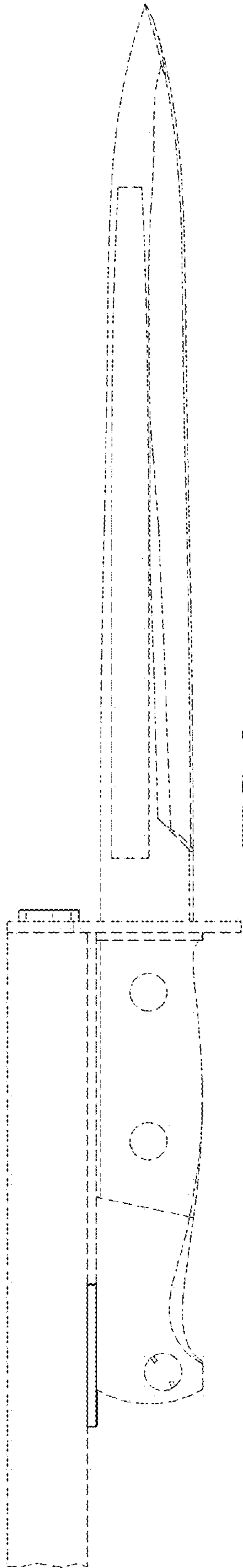


FIG. 2

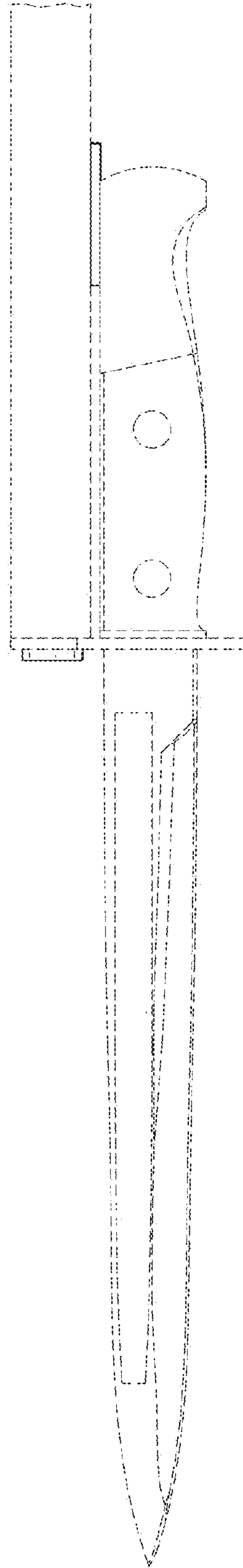


FIG. 3

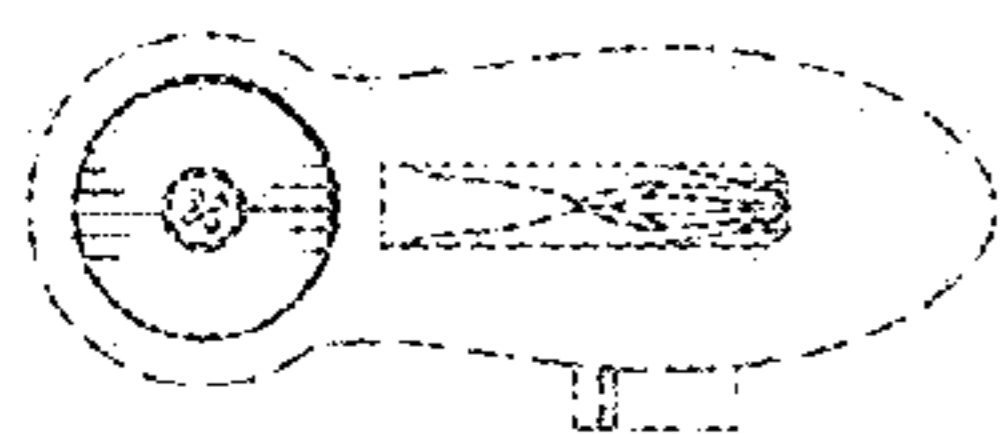


FIG. 4

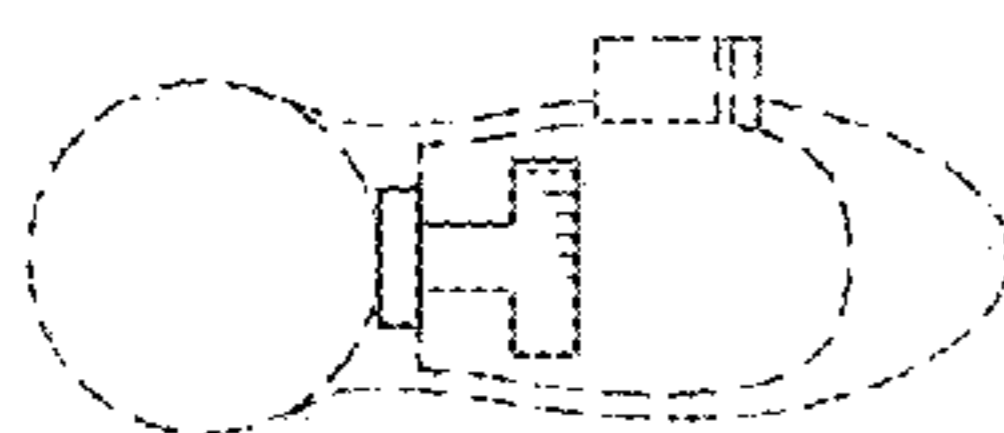


FIG. 5



FIG. 6

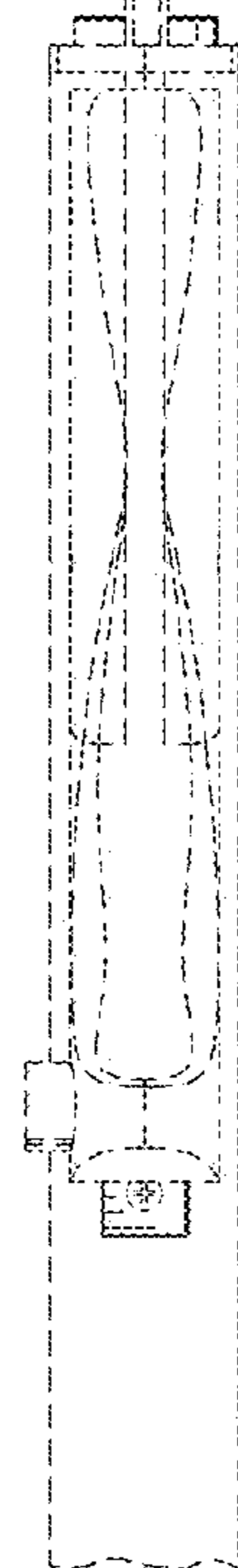


FIG. 7

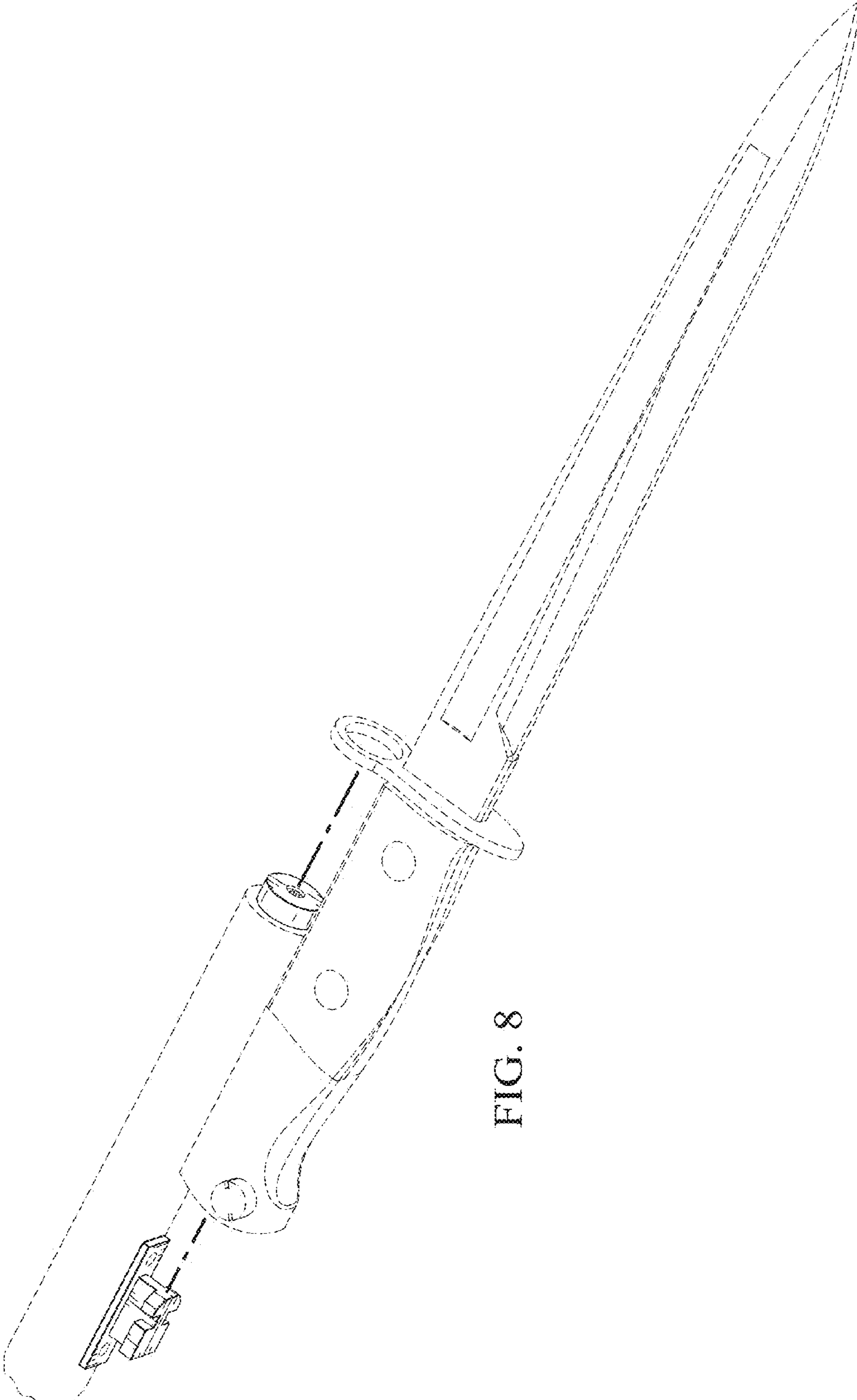


FIG. 8

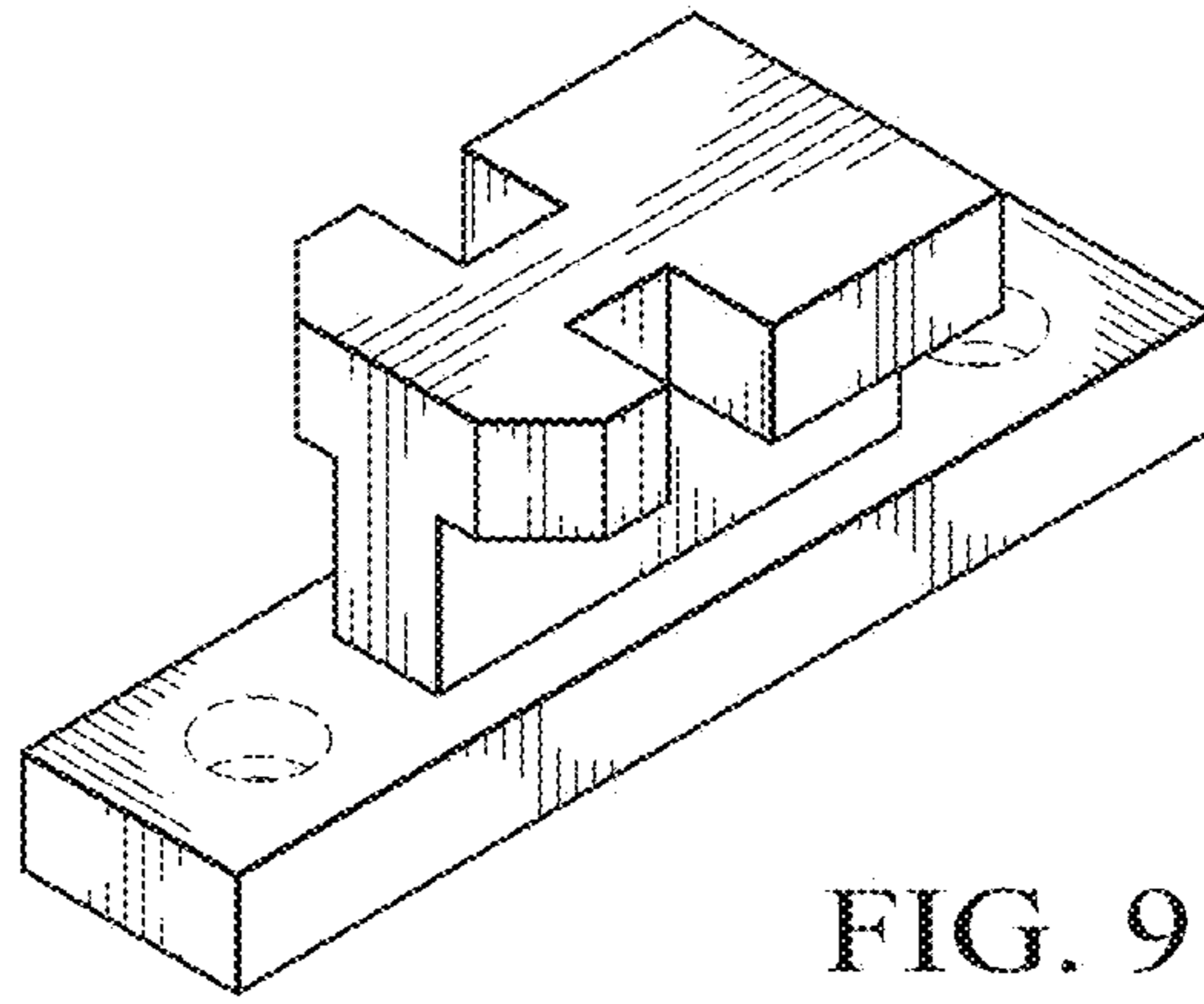


FIG. 9

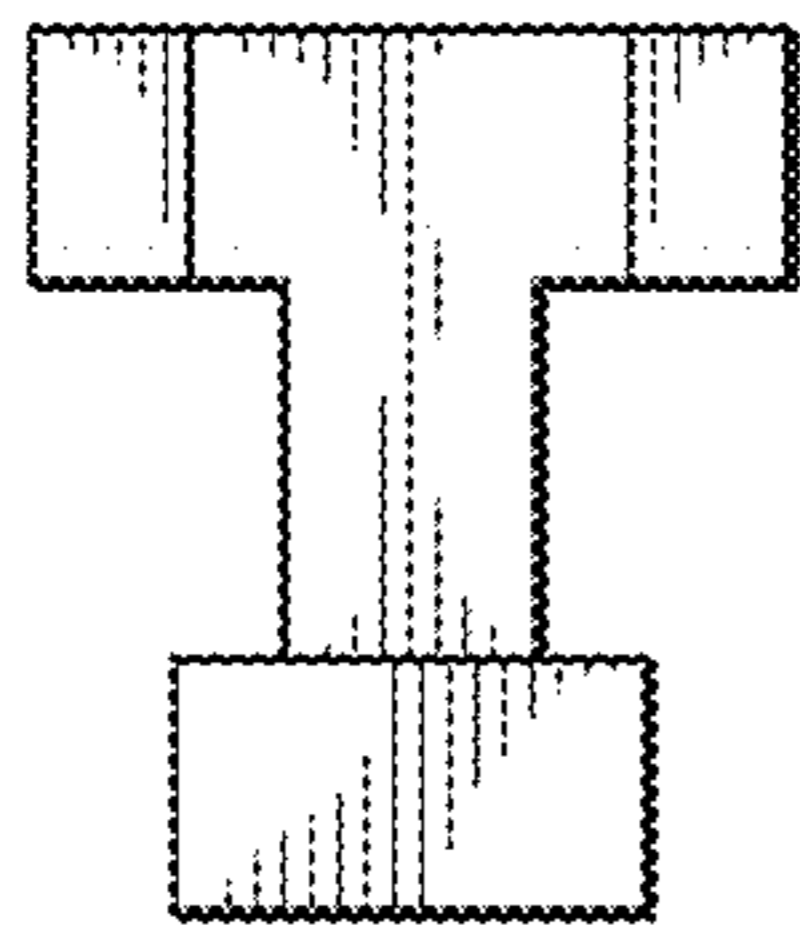


FIG. 10

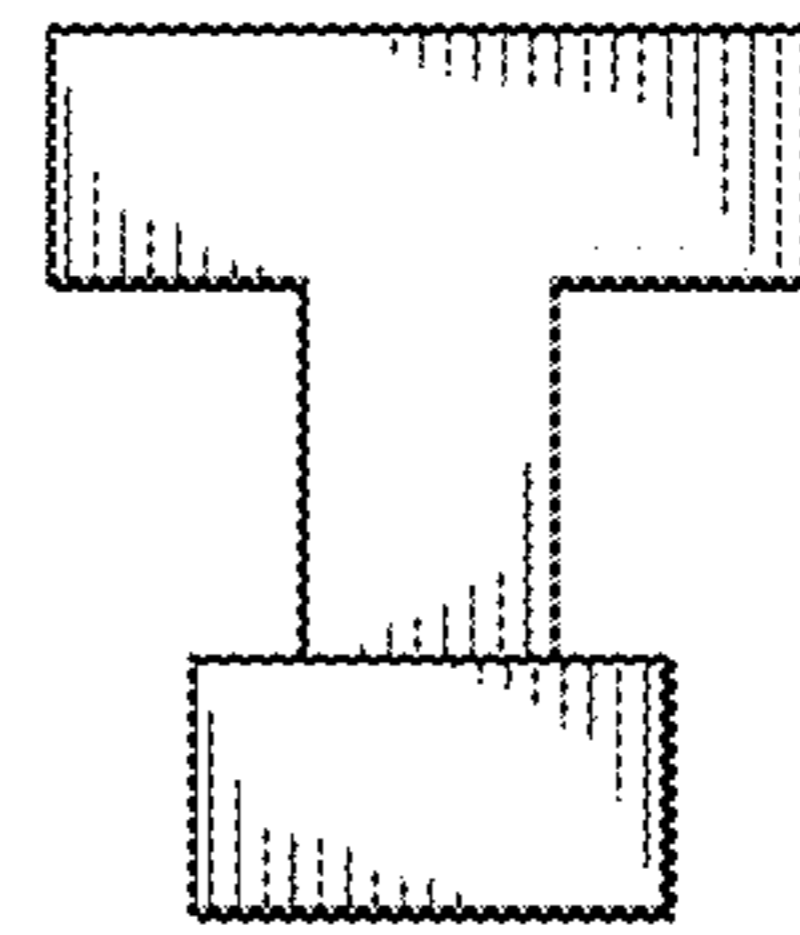


FIG. 11

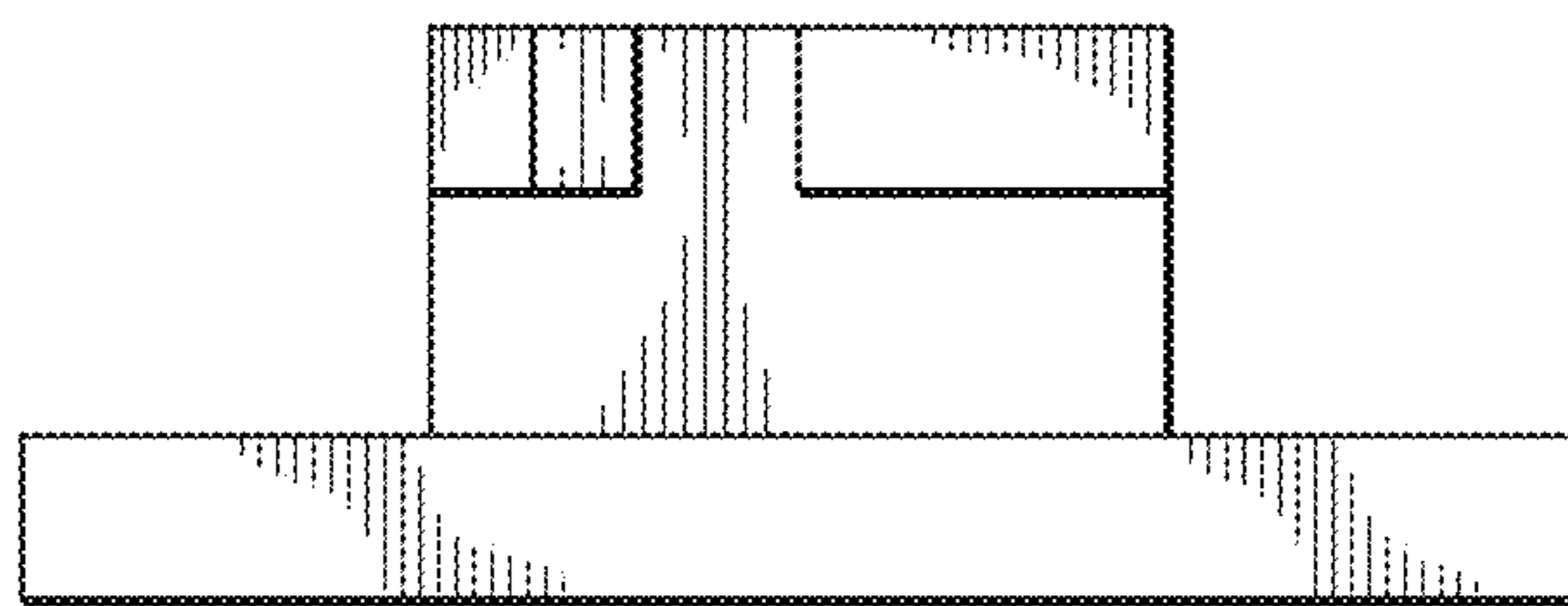


FIG. 12

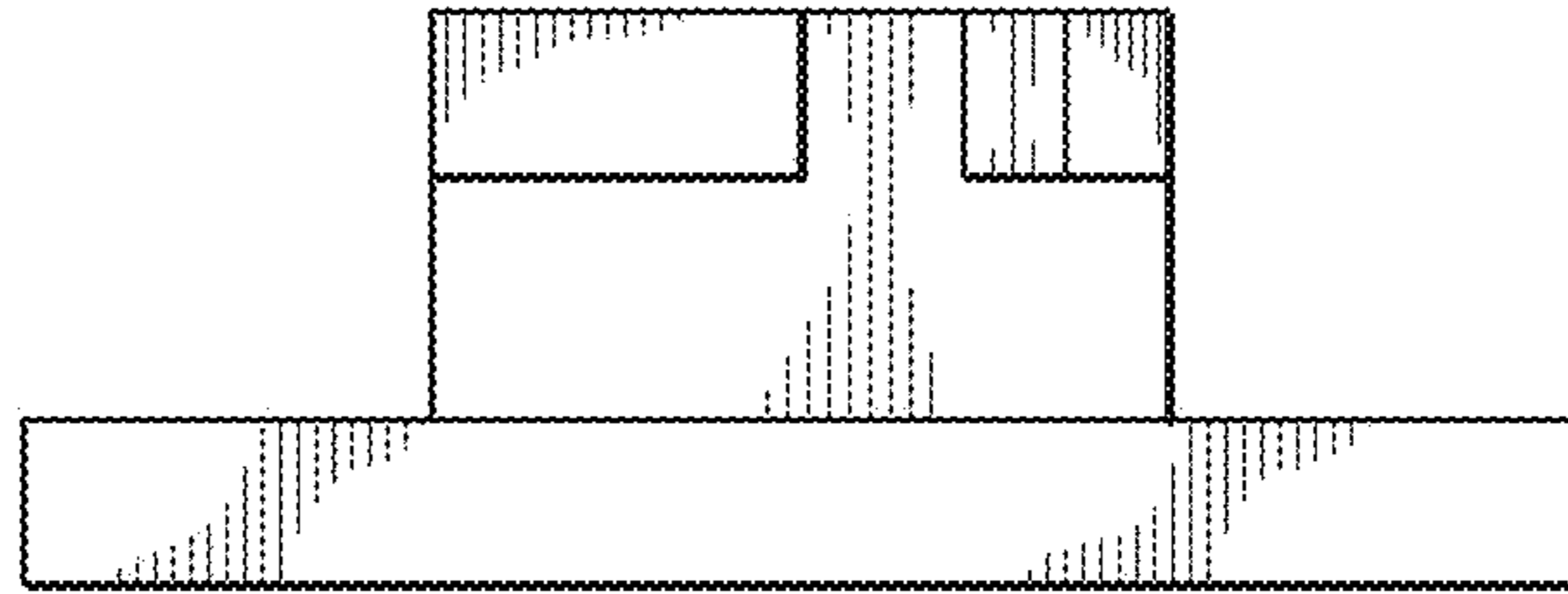


FIG. 13

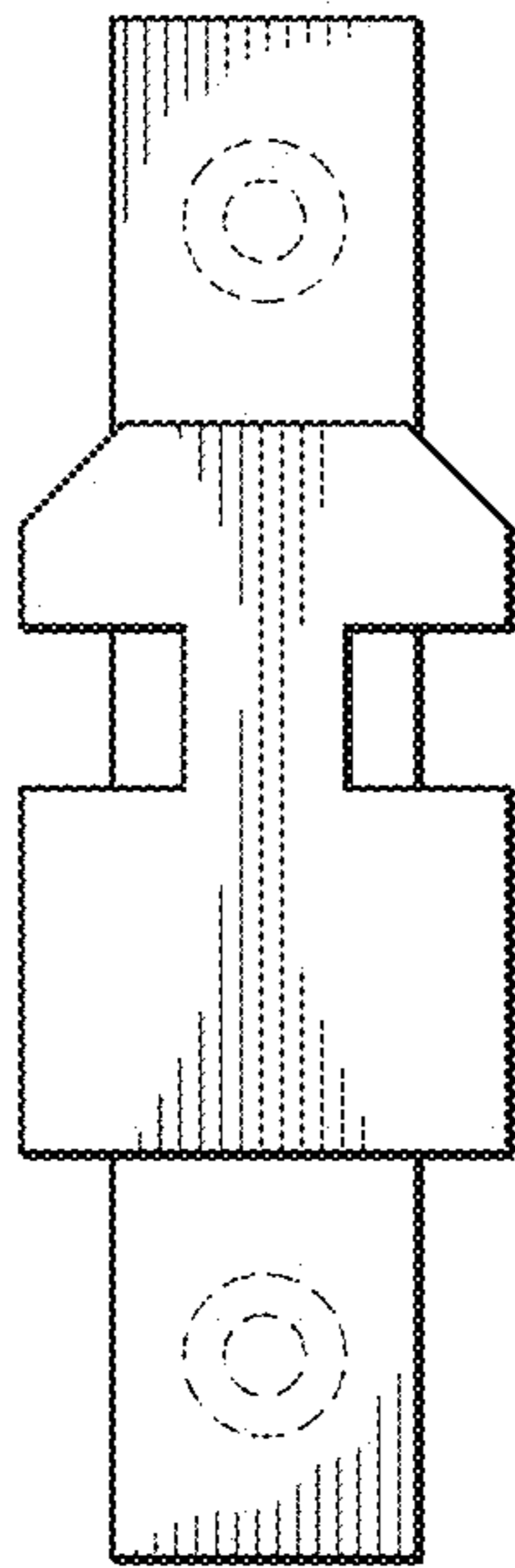


FIG. 14

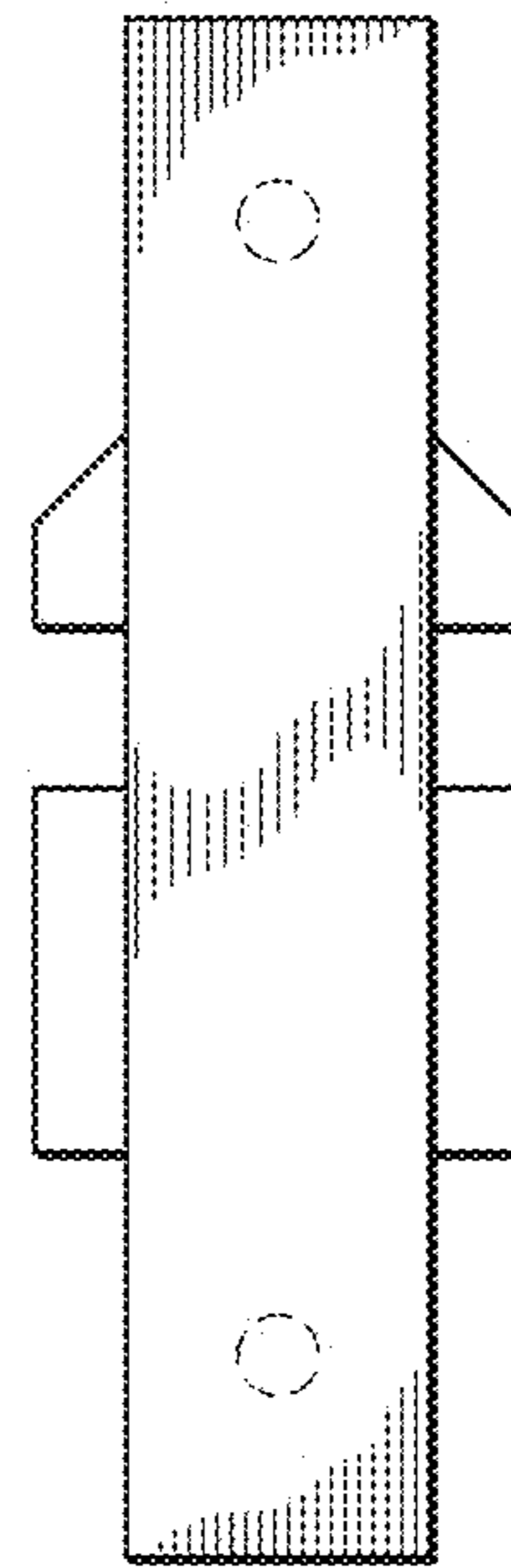


FIG. 15

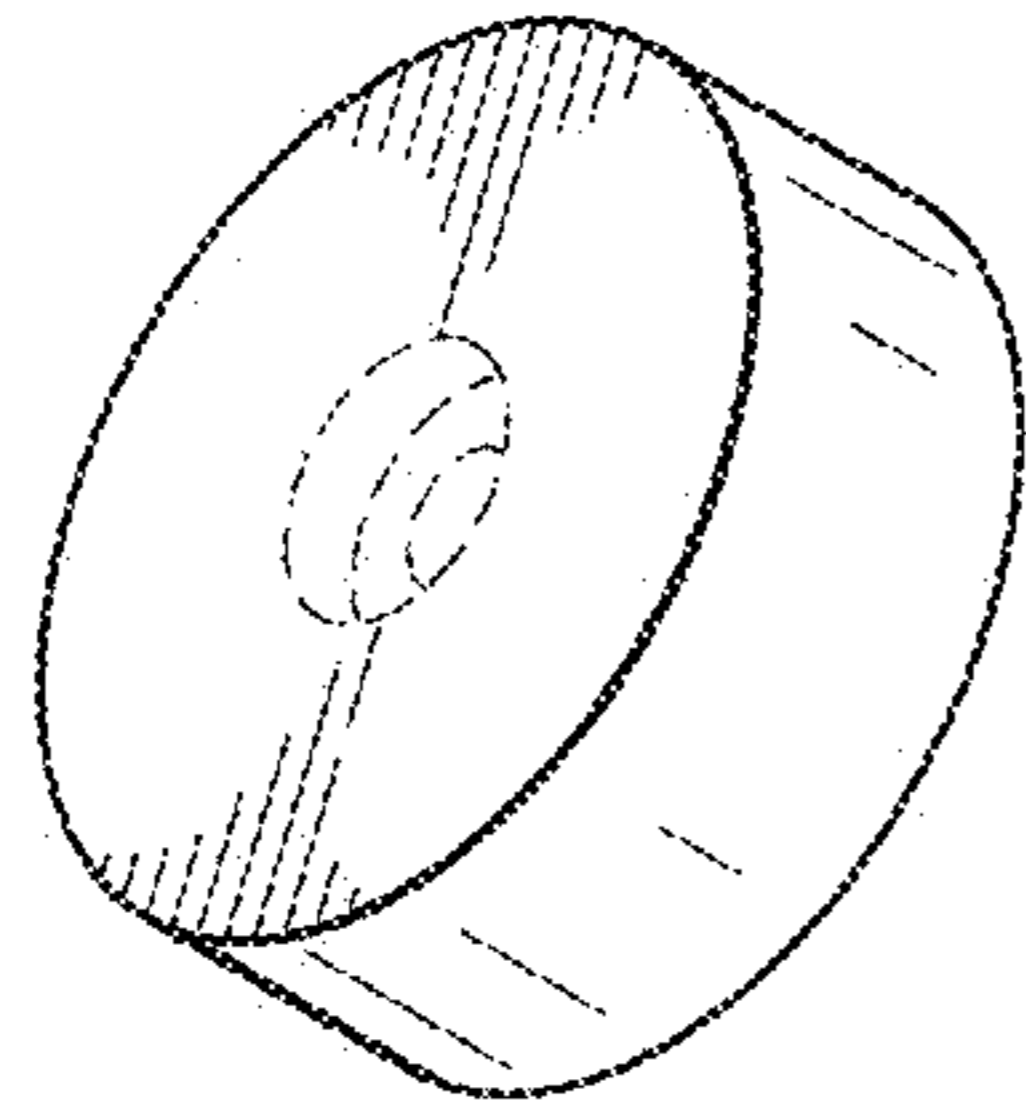


FIG. 16

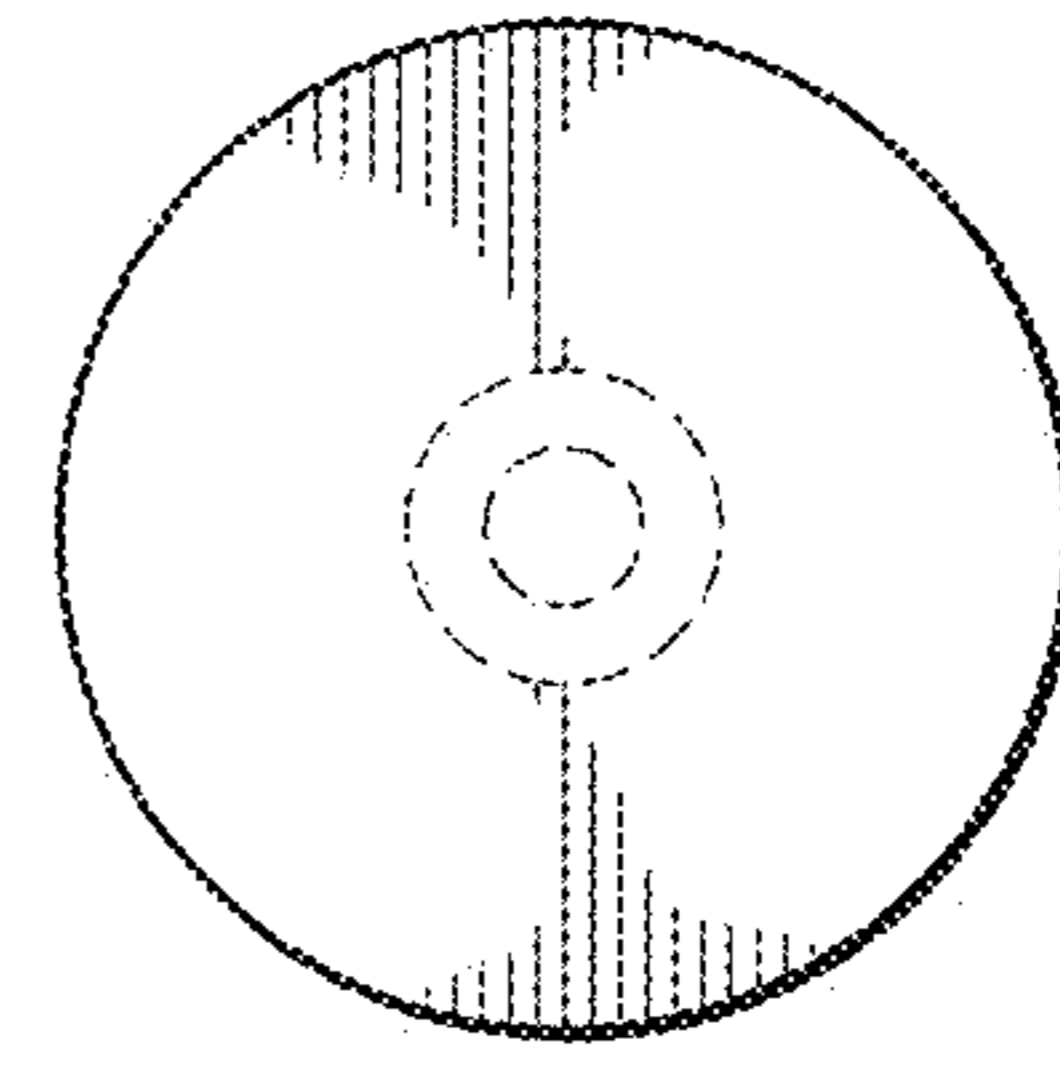


FIG. 17

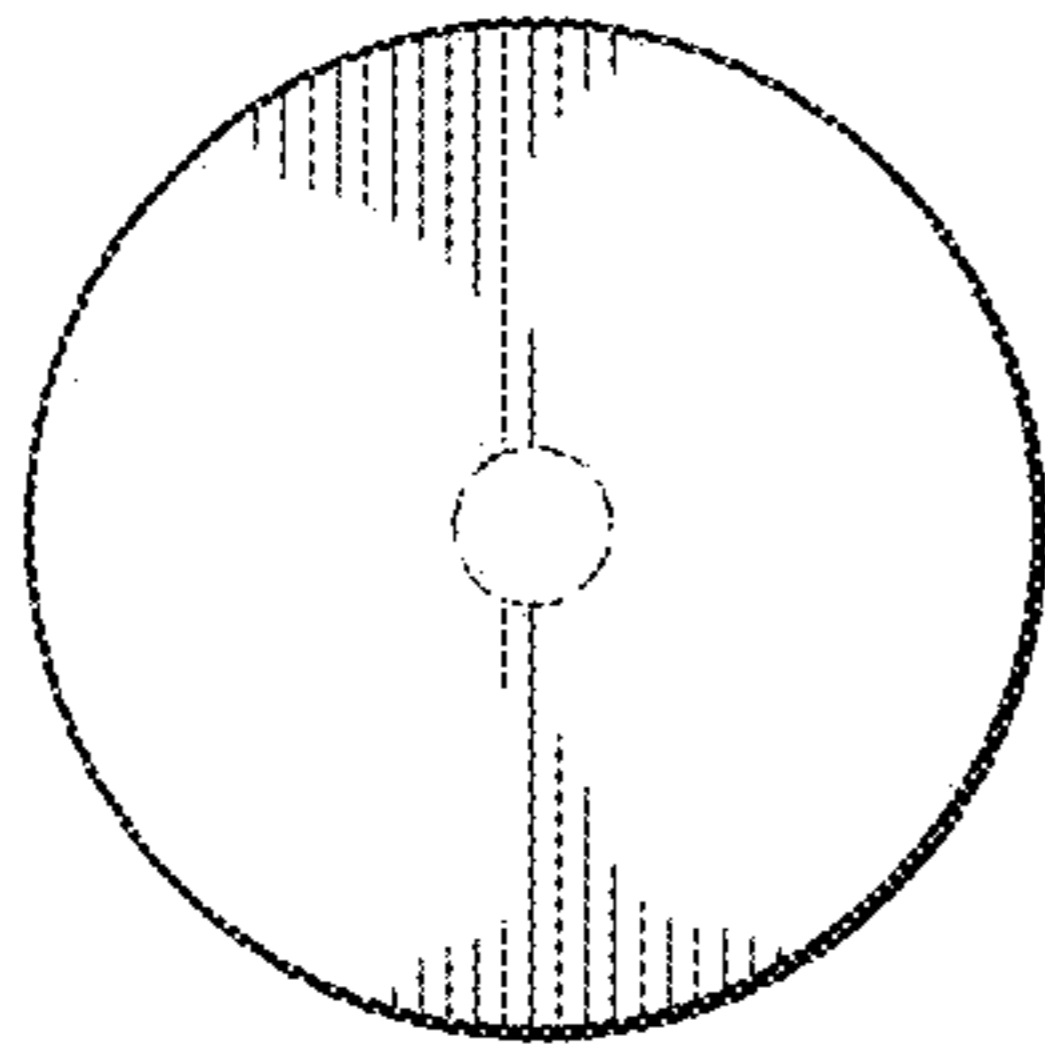


FIG. 18

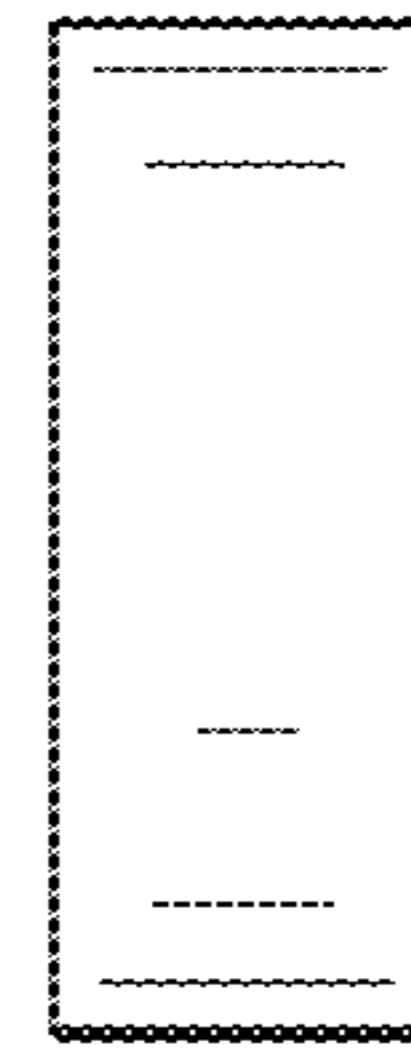


FIG. 19

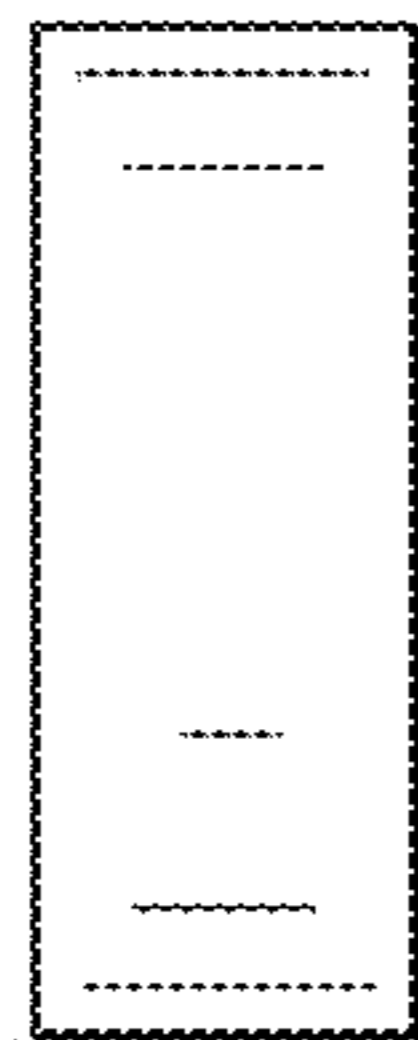


FIG. 20



FIG. 21



FIG. 22